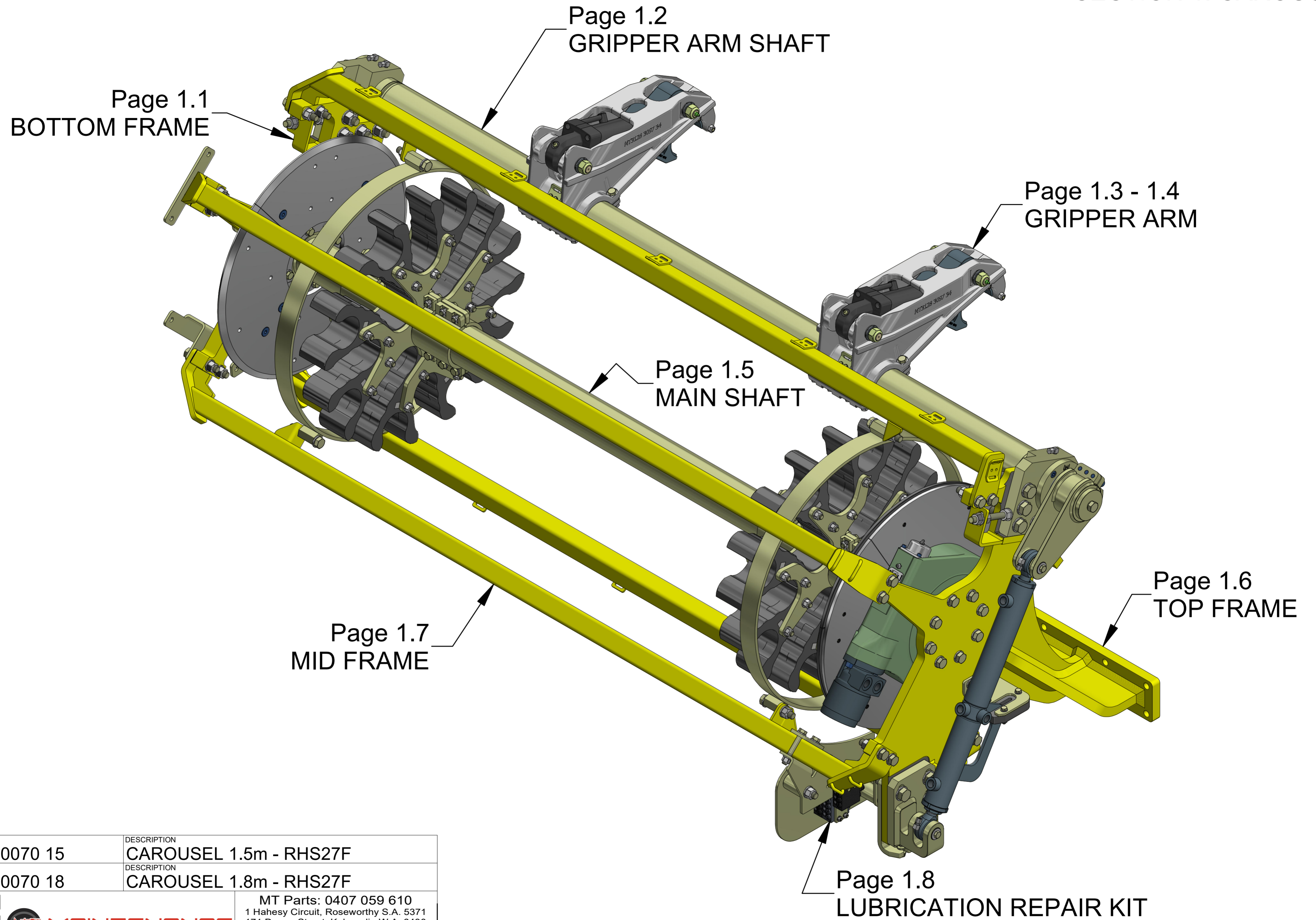


PART NUMBER	DESCRIPTION
MTE70S RHS27F CA	BOOM - FEED ASSEMBLY
	MT Parts: 0407 059 610 1 Haesy Circuit, Roseworthy S.A. 5371 171 Dugan Street, Kalgoorlie W.A. 6430 parts@mtunderground.com www.mtunderground.com
	

SECTION 1: CAROUSEL

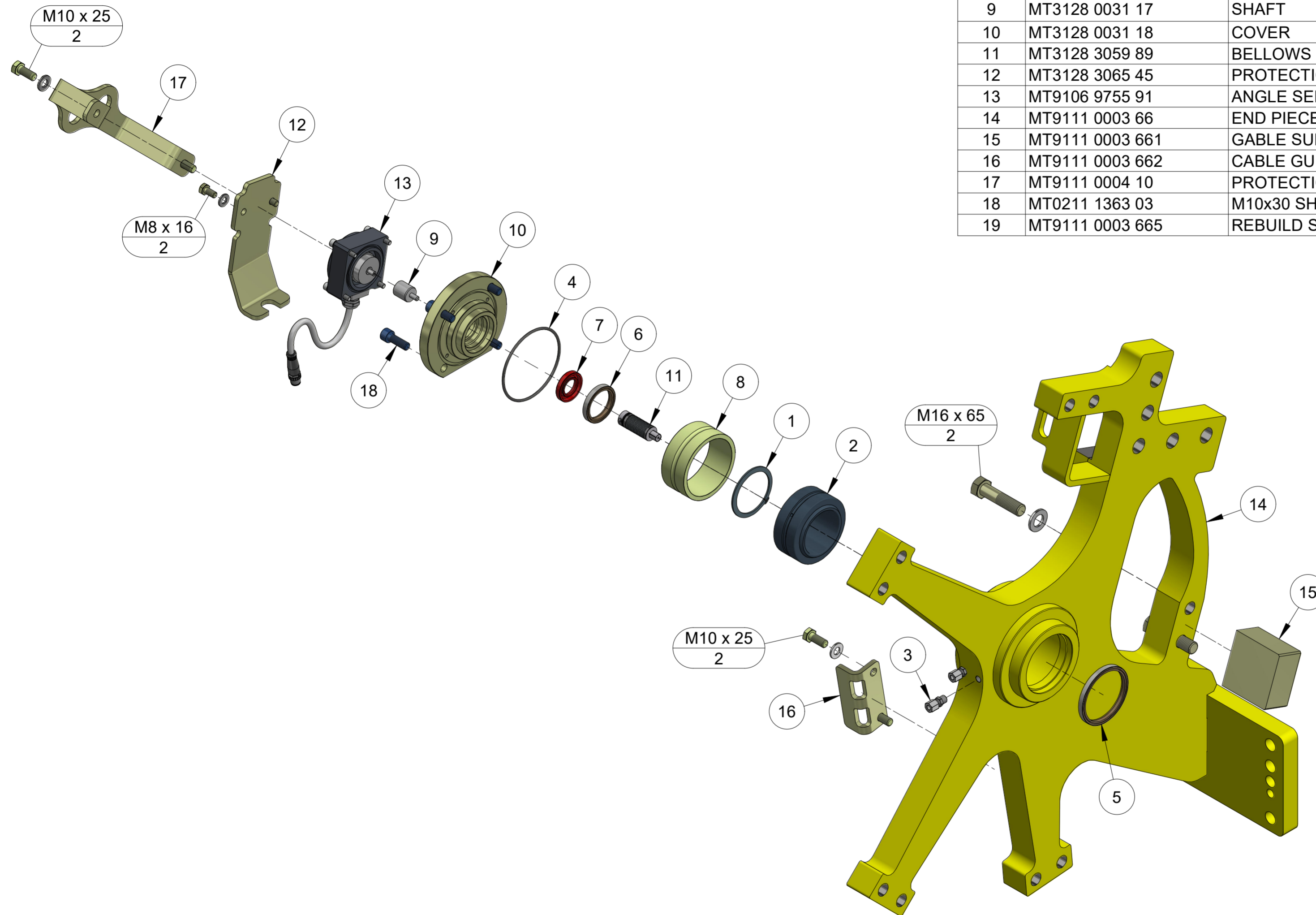


PART NUMBER MT9111 0070 15	DESCRIPTION CAROUSEL 1.5m - RHS27F
PART NUMBER MT9111 0070 18	DESCRIPTION CAROUSEL 1.8m - RHS27F





**MAINTENANCE
TECHNIQUE**

MT Parts: 0407 059 610
 1 Haesy Circuit, Roseworthy S.A. 5371
 171 Dugan Street, Kalgoorlie W.A. 6430
parts@mtunderground.com
www.mtunderground.com

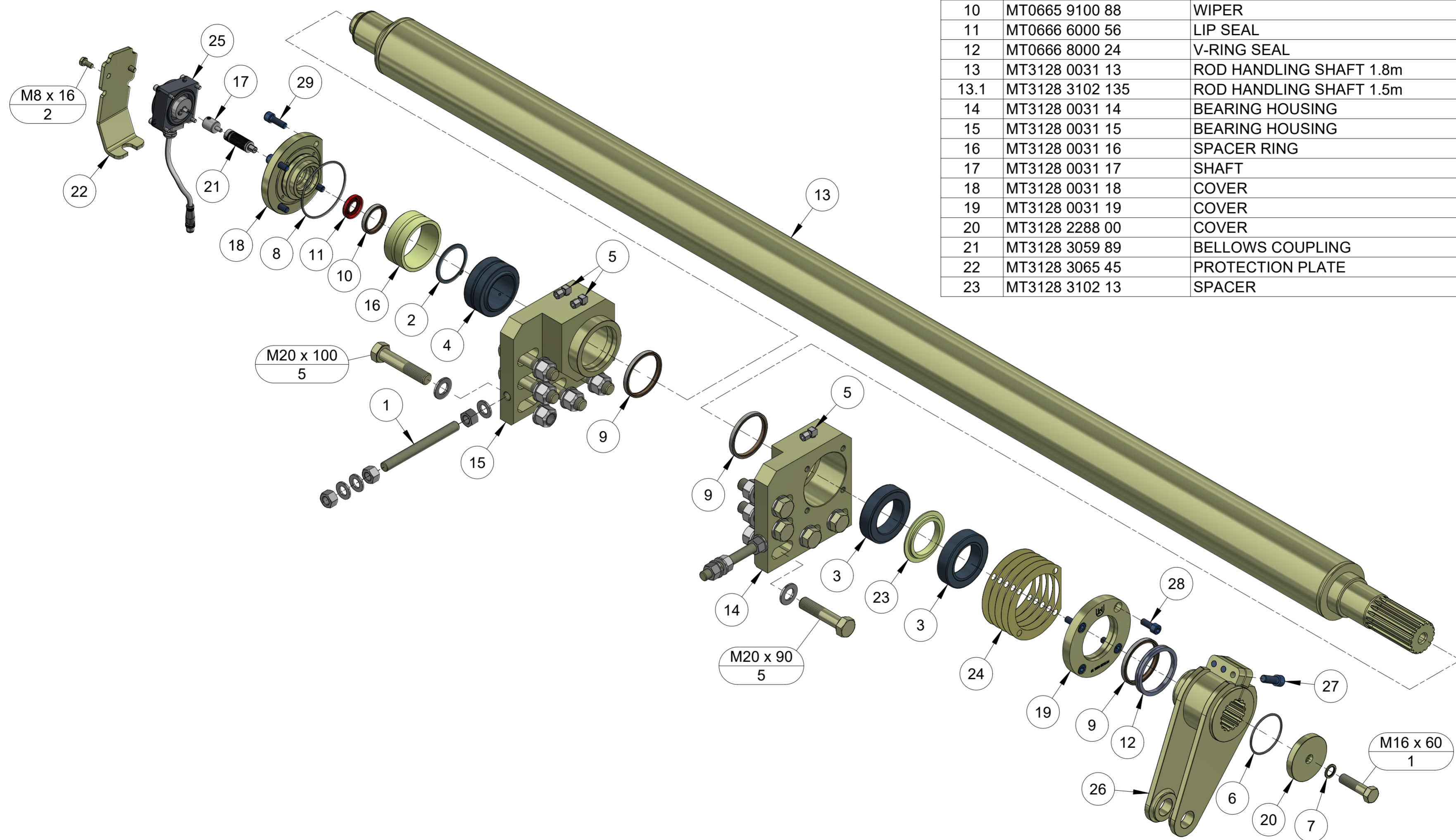


ITEM	PART NUMBER	DESCRIPTION	QTY	COMMENTS
1	MT0335 1151 00	CIRCLIP	1	#
2	MT0501 0019 01	BEARING	1	#
3	MT0580 0002 00	COUPLING STRAIGHT	2	
4	MT0663 6143 00	O-RING	1	#
5	MT0665 9100 86	WIPER	1	#
6	MT0665 9100 88	WIPER	1	#
7	MT0666 6000 56	LIP SEAL	1	#
8	MT3128 0031 16	SPACER RING	1	
9	MT3128 0031 17	SHAFT	1	
10	MT3128 0031 18	COVER	1	
11	MT3128 3059 89	BELLOWS COUPLING	1	
12	MT3128 3065 45	PROTECTION PLATE	1	
13	MT9106 9755 91	ANGLE SENSOR RCS5	1	
14	MT9111 0003 66	END PIECE	1	
15	MT9111 0003 661	GABLE SUPPORT BLOCK	1	
16	MT9111 0003 662	CABLE GUIDE	1	
17	MT9111 0004 10	PROTECTION	1	
18	MT0211 1363 03	M10x30 SHCS	4	#
19	MT9111 0003 665	REBUILD SET		Includes #

PART NUMBER	DESCRIPTION
MT9111 0003 668	BOTTOM FRAME
 	
MT Parts: 0407 059 610 1 Hahey Circuit, Roseworthy S.A. 5371 171 Dugan Street, Kalgoorlie W.A. 6430 parts@mtunderground.com www.mtunderground.com	
PAGE	1.1

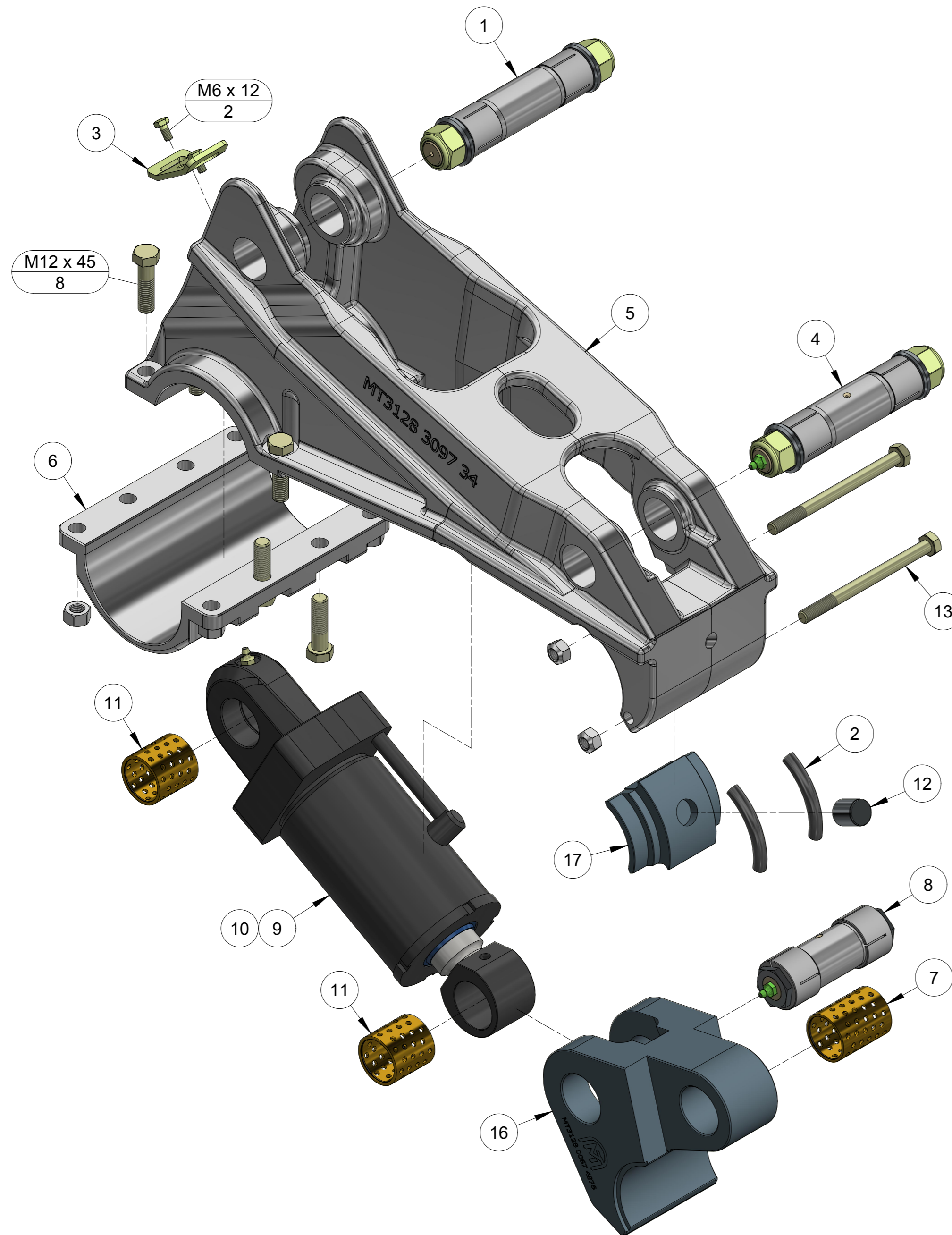
ITEM	PART NUMBER	DESCRIPTION	QTY	COMMENTS
24	MT3128 3115 78	SHIM	5	#
25	MT9106 9755 91	ANGLE SENSOR RCS5	1	
26	MT9111 0023 323	CLAMP ARM - RHS27F	1	
27	MT0211 1402 03	M12x35 SHCS	3	#
28	MT0211 1362 03	M10x25 SHCS	4	#
29	MT0211 1363 03	M10x30 SHCS	4	#
30	MT3128 0031 135	REBUILD SET		Includes #

ITEM	PART NUMBER	DESCRIPTION	QTY	COMMENTS
1	MT0248 9979 54	M16x165 THREADED ROD	2	
2	MT0335 1151 00	CIRCLIP	1	#
3	MT0501 0000 51	BEARING	2	#
4	MT0501 0019 01	BEARING	1	#
5	MT0580 2202 00	COUPLING 90°	3	
6	MT0663 6137 00	O-RING	1	#
7	MT0061 1014 00	SEAL WASHER	1	#
8	MT0663 6143 00	O-RING	1	#
9	MT0665 9100 86	WIPER	3	#
10	MT0665 9100 88	WIPER	1	#
11	MT0666 6000 56	LIP SEAL	1	#
12	MT0666 8000 24	V-RING SEAL	1	#
13	MT3128 0031 13	ROD HANDLING SHAFT 1.8m	1	** = 13
13.1	MT3128 3102 135	ROD HANDLING SHAFT 1.5m	1	** = 35
14	MT3128 0031 14	BEARING HOUSING	1	
15	MT3128 0031 15	BEARING HOUSING	1	
16	MT3128 0031 16	SPACER RING	1	
17	MT3128 0031 17	SHAFT	1	
18	MT3128 0031 18	COVER	1	
19	MT3128 0031 19	COVER	1	
20	MT3128 2288 00	COVER	1	
21	MT3128 3059 89	BELLOWS COUPLING	1	
22	MT3128 3065 45	PROTECTION PLATE	1	
23	MT3128 3102 13	SPACER	1	



NOTE: WHEN ORDERING COMPLETE SHAFT REPLACE ** IN PART NUMBER WITH SHAFT LENGTH REQUIRED - SEE PARTS LIST COMMENTS

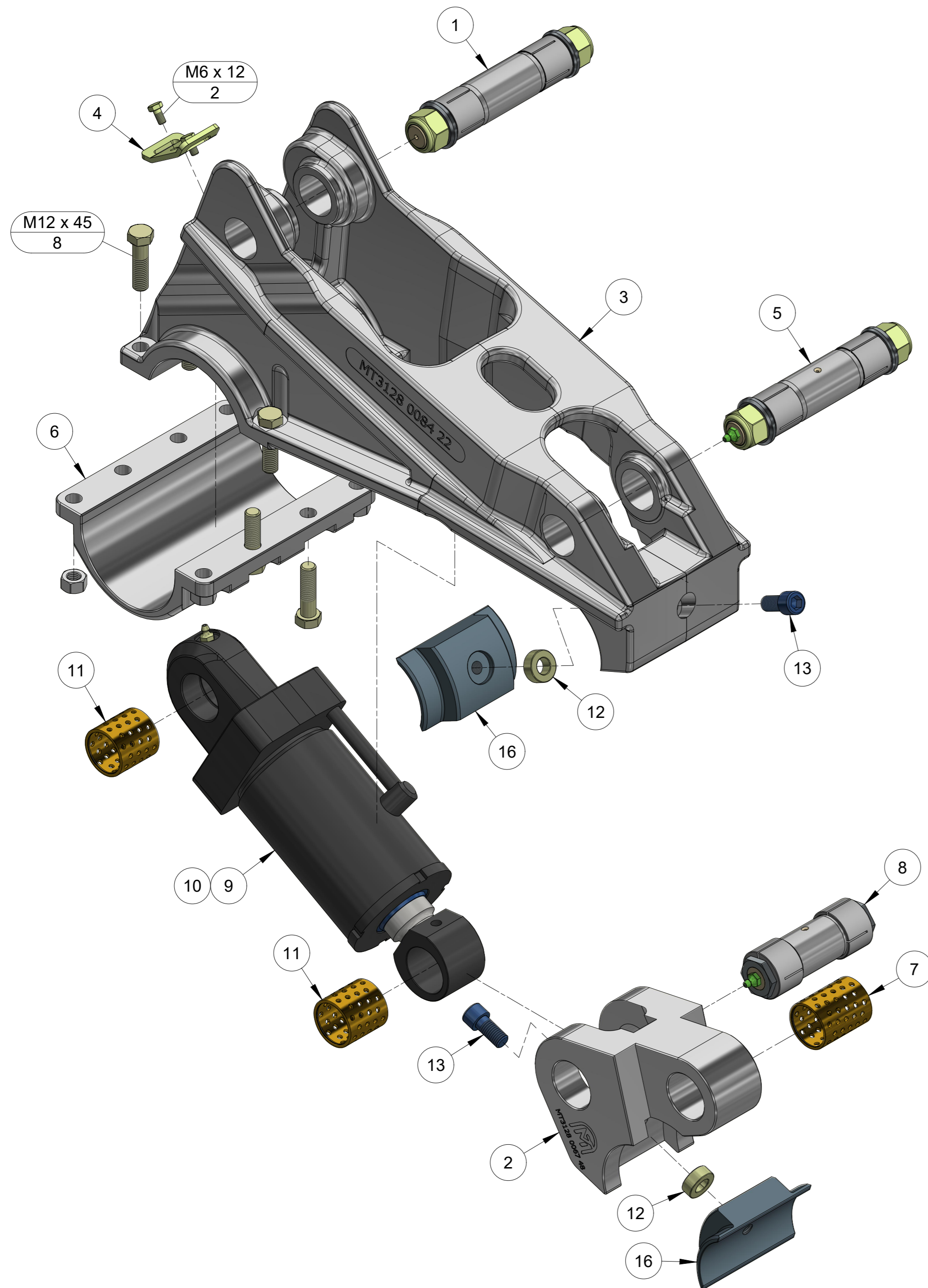
PART NUMBER	DESCRIPTION
MT3128 0031 13**	GRIPPER ARM SHAFT
 	
MT Parts: 0407 059 610 1 Haehy Circuit, Roseworthy S.A. 5371 171 Dugan Street, Kalgoorlie W.A. 6430 parts@mtunderground.com <small>PAGE</small> www.mtunderground.com 1.2	



ITEM	PART NUMBER	DESCRIPTION	QTY	COMMENTS
1	MT3128 0031 55	EXPANDING SHAFT	1	#
2	MT3128 2353 00	DAMPING ELEMENT	2	#
3	MT3128 2597 50	ATTACHMENT	1	
4	MT3128 3063 83	EXPANDING SHAFT	1	#
5	MT3128 3097 34	ARM	1	
6	MT3128 3097 36	CLAMP	1	
7	MT3128 3104 53	BUSHING	1	#
8	MT3128 3105 98	EXPANDING SHAFT	1	#
9	MT3128 3106 12	HYDRAULIC CYLINDER	1	Includes item 11 x 2
10	MT9120 0993 09	SEAL KIT	1	
11	MT3128 3106 13	BUSHING	2	#
12	MT3128 3107 02	PIN GRIPPER DOWEL	1	#
13	MT0147 1381 03	M10x130 HEX HD	2	#
14	MT3128 0068 545	REBUILD SET		Includes #
15	MT3128 0068 549	BOLT SET		
GRIPPER JAWS				
16	MT3128 0067 4845	JAW - SWING 45MM	1	** = 45
16.1	MT3128 0067 4851	JAW - SWING 51MM	1	** = 51
16.2	MT3128 0067 4864	JAW - SWING 64MM	1	** = 64
16.3	MT3128 0067 4876	JAW - SWING 76MM	1	** = 76
16.4	MT3128 0067 4887	JAW - SWING 87MM	1	** = 87
17	MT3128 3104 22	JAW 45MM	1	** = 45
17.1	MT3128 3104 51	JAW 51MM	1	** = 51
17.2	MT3128 3104 25	JAW 64MM	1	** = 64
17.3	MT3128 3104 26	JAW 76MM	1	** = 76
17.4	MT3128 3104 27	JAW 87MM	1	** = 87

NOTE: WHEN ORDERING COMPLETE ARM REPLACE ** IN PART NUMBER WITH JAW SIZE REQUIRED - SEE PARTS LIST COMMENTS

PART NUMBER	DESCRIPTION
MT3128 0068 54**	GRIPPER ARM F SERIES MT
 	
MT Parts: 0407 059 610 1 Haesy Circuit, Roseworthy S.A. 5371 171 Dugan Street, Kalgoorlie W.A. 6430 parts@mtunderground.com www.mtunderground.com	
PAGE 1.3	

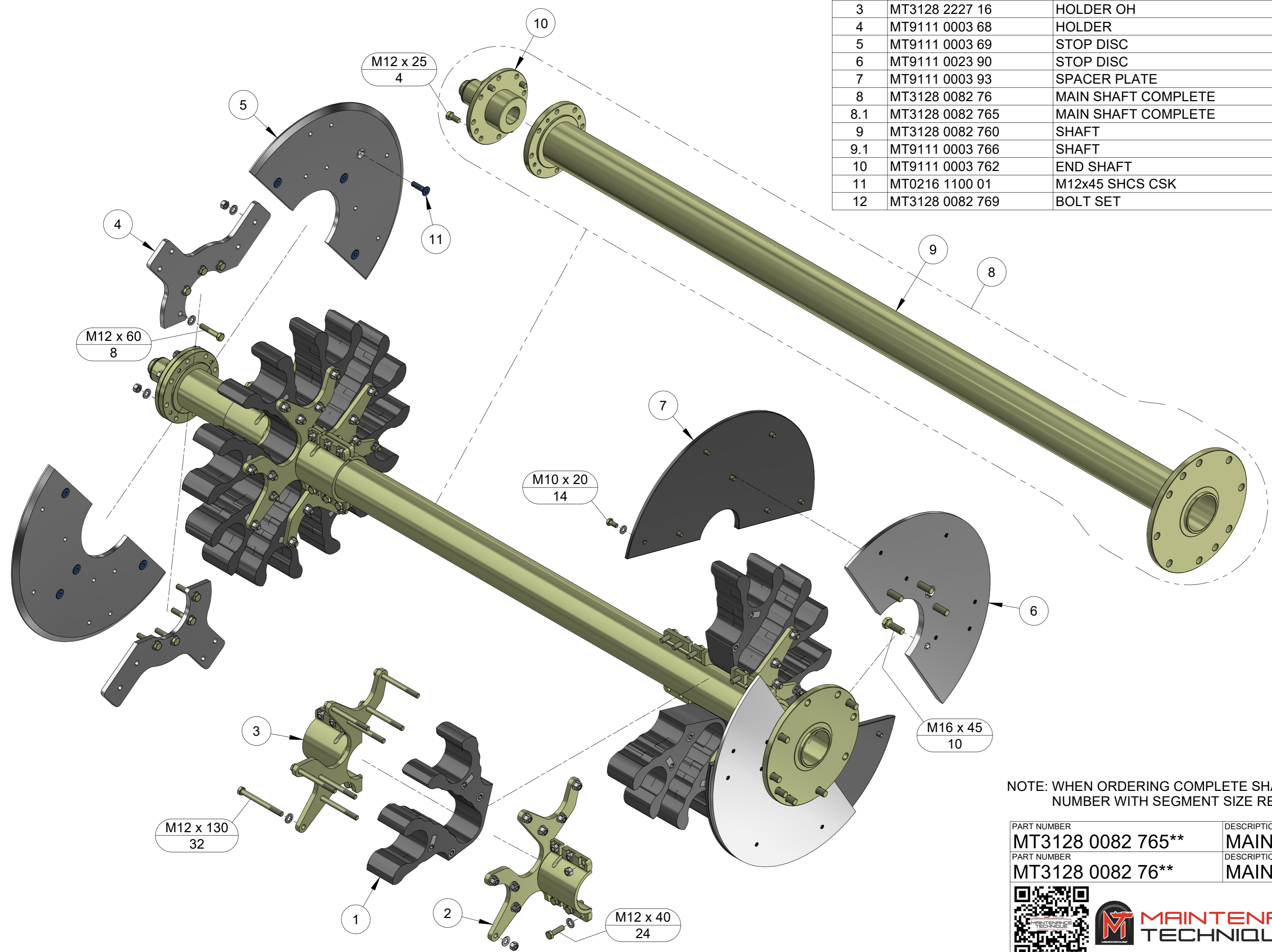


ITEM	PART NUMBER	DESCRIPTION	QTY	COMMENTS
1	MT3128 0031 55	EXPANDING SHAFT	1	#
2	MT3128 0067 48	JAW HOLDER	1	
3	MT3128 0084 22	ARM F SERIES	1	
4	MT3128 2597 50	ATTACHMENT	1	
5	MT3128 3063 83	EXPANDING SHAFT	1	#
6	MT3128 3097 36	CLAMP	1	
7	MT3128 3104 53	BUSHING	1	#
8	MT3128 3105 98	EXPANDING SHAFT	1	#
9	MT3128 3106 12	HYDRAULIC CYLINDER	1	Includes item 11 x 2
10	MT9120 0993 09	SEAL KIT	1	
11	MT3128 3106 13	BUSHING	2	#
12	MT9111 0024 13	DOWEL	2	#
13	MT0211 1400 03	M12x25 SHCS	2	#
14	MT3128 0068 545	REBUILD SET		Includes #
15	MT3128 0084 229	BOLT SET		
GRIPPER JAWS				
16	MT3128 0086 25	JAW 45MM	2	** = 45
16.1	MT3128 0086 26	JAW 51MM	2	** = 51
16.2	MT3128 0086 264	JAW 64MM	2	** = 64
16.3	MT3128 0086 27	JAW 76MM	2	** = 76
16.4	MT3128 0067 47	JAW 87MM	2	** = 87

NOTE: WHEN ORDERING COMPLETE ARM REPLACE ** IN PART NUMBER WITH JAW SIZE REQUIRED - SEE PARTS LIST COMMENTS



PART NUMBER MT3128 0084 22**	DESCRIPTION GRIPPER ARM F SERIES OEM
 	
MT Parts: 0407 059 610 1 Haesy Circuit, Roseworthy S.A. 5371 171 Dugan Street, Kalgoorlie W.A. 6430 parts@mtunderground.com www.mtunderground.com	
PAGE 1.4	

ITEM	PART NUMBER	DESCRIPTION	QTY	COMMENTS
1	MT4527	SIMBA MT4527 - 45mm tube	8	** = 45
1.1	MT5127	SIMBA MT5127 - 51mm tube	8	** = 51
1.2	MT6427	SIMBA MT6427 - 64mm tube	8	** = 64
1.3	MT7627	SIMBA MT7627 - 76mm tube	8	** = 76
1.4	MT7827	SIMBA MT7827 - 78mm tube	8	** = 78
1.5	MT8727E	SIMBA MT8727 - 87mm tube	8	** = 87
2	MT3128 2227 15	HOLDER	4	
3	MT3128 2227 16	HOLDER OH	4	
4	MT9111 0003 68	HOLDER	2	
5	MT9111 0003 69	STOP DISC	2	
6	MT9111 0023 90	STOP DISC	2	
7	MT9111 0003 93	SPACER PLATE	2	
8	MT3128 0082 76	MAIN SHAFT COMPLETE	1	1.8m
8.1	MT3128 0082 765	MAIN SHAFT COMPLETE	1	1.5m
9	MT3128 0082 760	SHAFT	1	1.8m
9.1	MT9111 0003 766	SHAFT	1	1.5m
10	MT9111 0003 762	END SHAFT	1	
11	MT0216 1100 01	M12x45 SHCS CSK	8	
12	MT3128 0082 769	BOLT SET		



NOTE: WHEN ORDERING COMPLETE SHAFT REPLACE ** IN PART NUMBER WITH SEGMENT SIZE REQUIRED - SEE PARTS LIST COMMENTS

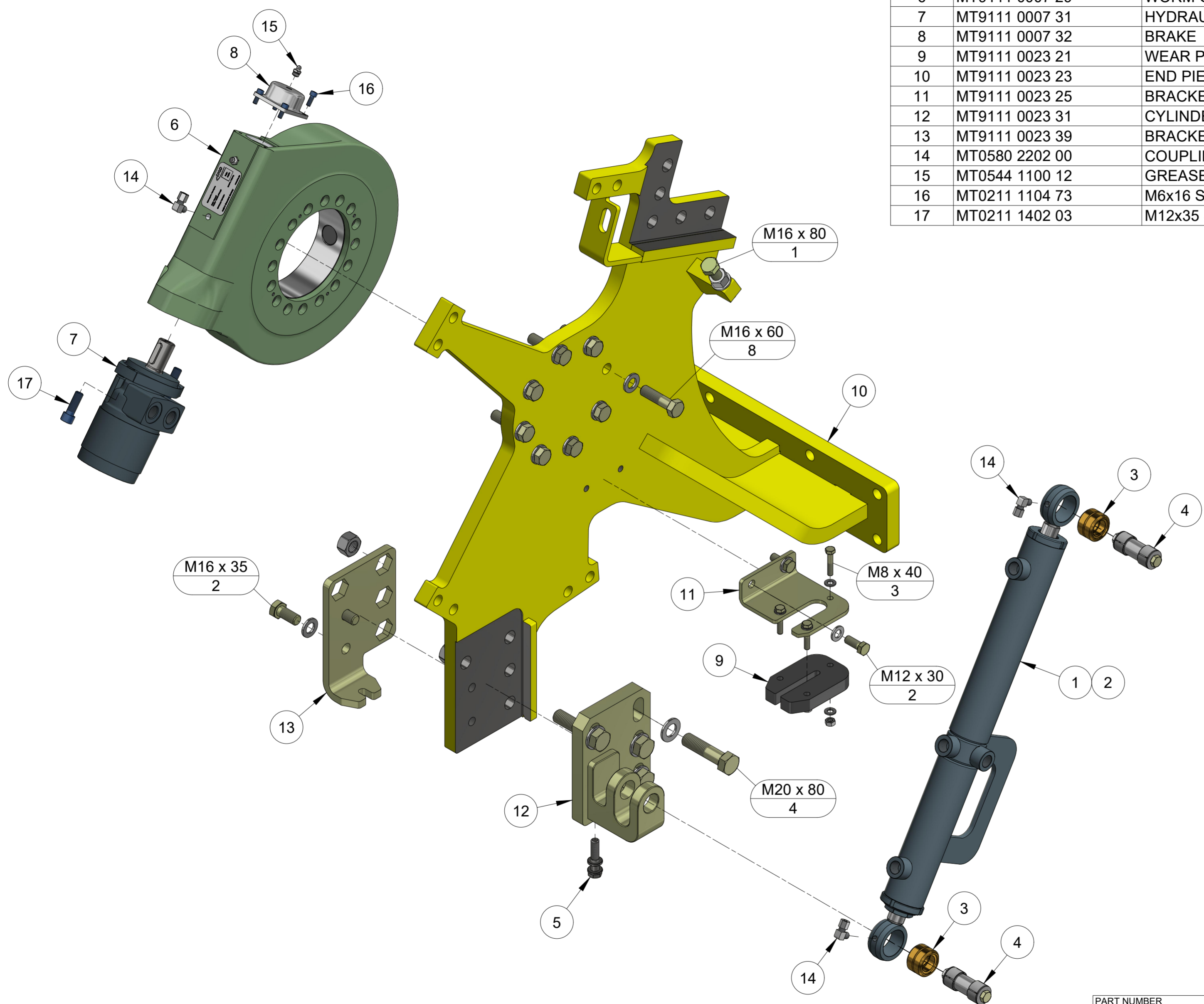
PART NUMBER	DESCRIPTION
MT3128 0082 765**	MAIN SHAFT 1.5m
PART NUMBER	DESCRIPTION
MT3128 0082 76**	MAIN SHAFT 1.8m






MT Parts: 0407 059 610
 1 Haehy Circuit, Roseworthy S.A. 5371
 171 Dugan Street, Kalgoorlie W.A. 6430
parts@mtunderground.com
www.mtunderground.com

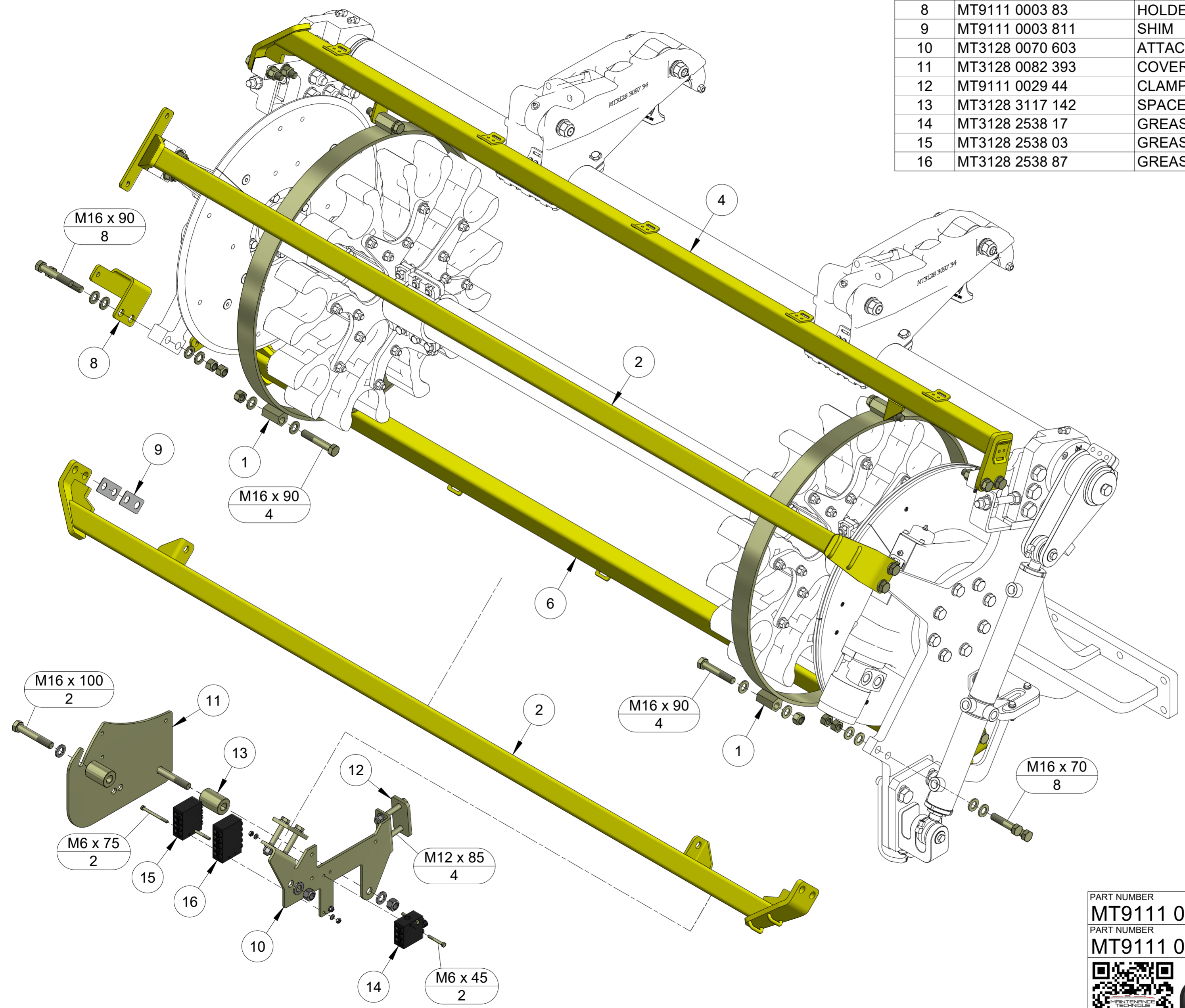
PAGE 1.5

ITEM	PART NUMBER	DESCRIPTION	QTY	COMMENTS
1	MT3128 0069 303	CYLINDER	1	Includes Item 3 x 2
2	MT6060 0130 39	SEAL KIT	1	
3	MT3128 3134 05	BUSH	2	
4	MT3128 3104 72	RHS PIN COMPLETE	2	
5	MT3222 3133 47	SCREW	1	
6	MT9111 0007 29	WORM GEAR UNIT	1	
7	MT9111 0007 31	HYDRAULIC MOTOR	1	
8	MT9111 0007 32	BRAKE	1	
9	MT9111 0023 21	WEAR PAD	1	
10	MT9111 0023 23	END PIECE RHS27F	1	
11	MT9111 0023 25	BRACKET	1	
12	MT9111 0023 31	CYLINDER BRACKET	1	
13	MT9111 0023 39	BRACKET	1	
14	MT0580 2202 00	COUPLING 90°	3	
15	MT0544 1100 12	GREASE NIPPLE	1	
16	MT0211 1104 73	M6x16 SHCS	4	
17	MT0211 1402 03	M12x35 SHCS	2	



PART NUMBER	MT9111 0023 238	DESCRIPTION	TOP FRAME
			
MT Parts: 0407 059 610 1 Haehy Circuit, Roseworthy S.A. 5371 171 Dugan Street, Kalgoorlie W.A. 6430 parts@mtunderground.com www.mtunderground.com		PAGE	1.6

ITEM	PART NUMBER	DESCRIPTION	QTY	COMMENTS
1	MT3128 3102 93	PROTECTION ARCH	2	
2	MT9111 0003 81	STAY	2	1.8m
3	MT9111 0003 815	STAY	2	1.5m
4	MT9111 0011 81	STAY	1	1.8m
5	MT9111 0011 815	STAY	1	1.5m
6	MT9111 0003 810	STAY	1	1.8m
7	MT9111 0003 8105	STAY	1	1.5m
8	MT9111 0003 83	HOLDER IRON	3	
9	MT9111 0003 811	SHIM	8	
10	MT3128 0070 603	ATTACHMENT PLATE	1	
11	MT3128 0082 393	COVER PLATE	1	
12	MT9111 0029 44	CLAMP	2	
13	MT3128 3117 142	SPACER	2	
14	MT3128 2538 17	GREASE DISTRIBUTOR BLOCK	1	6 port
15	MT3128 2538 03	GREASE DISTRIBUTOR BLOCK	1	8 port
16	MT3128 2538 87	GREASE DISTRIBUTOR BLOCK	1	10 port



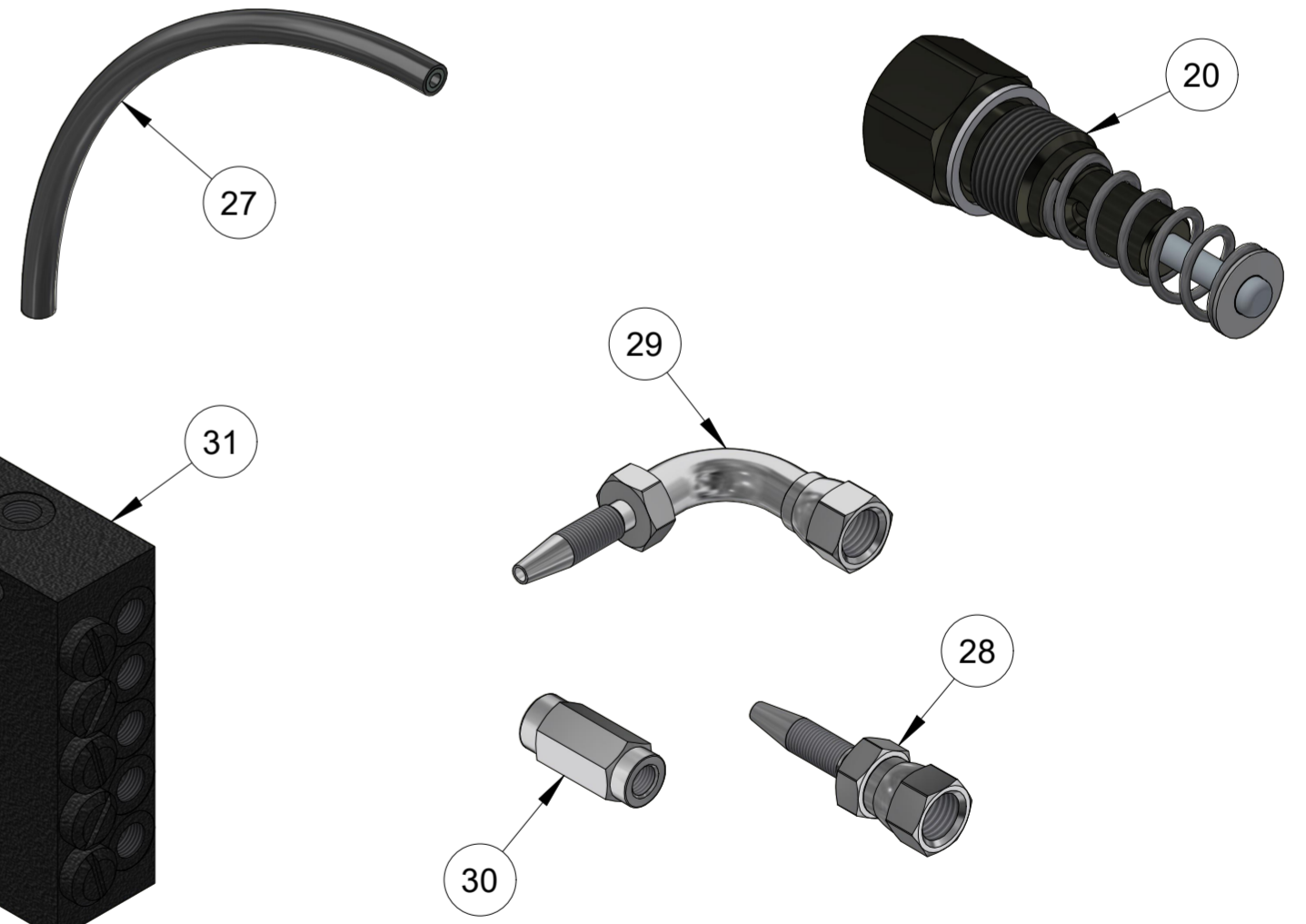
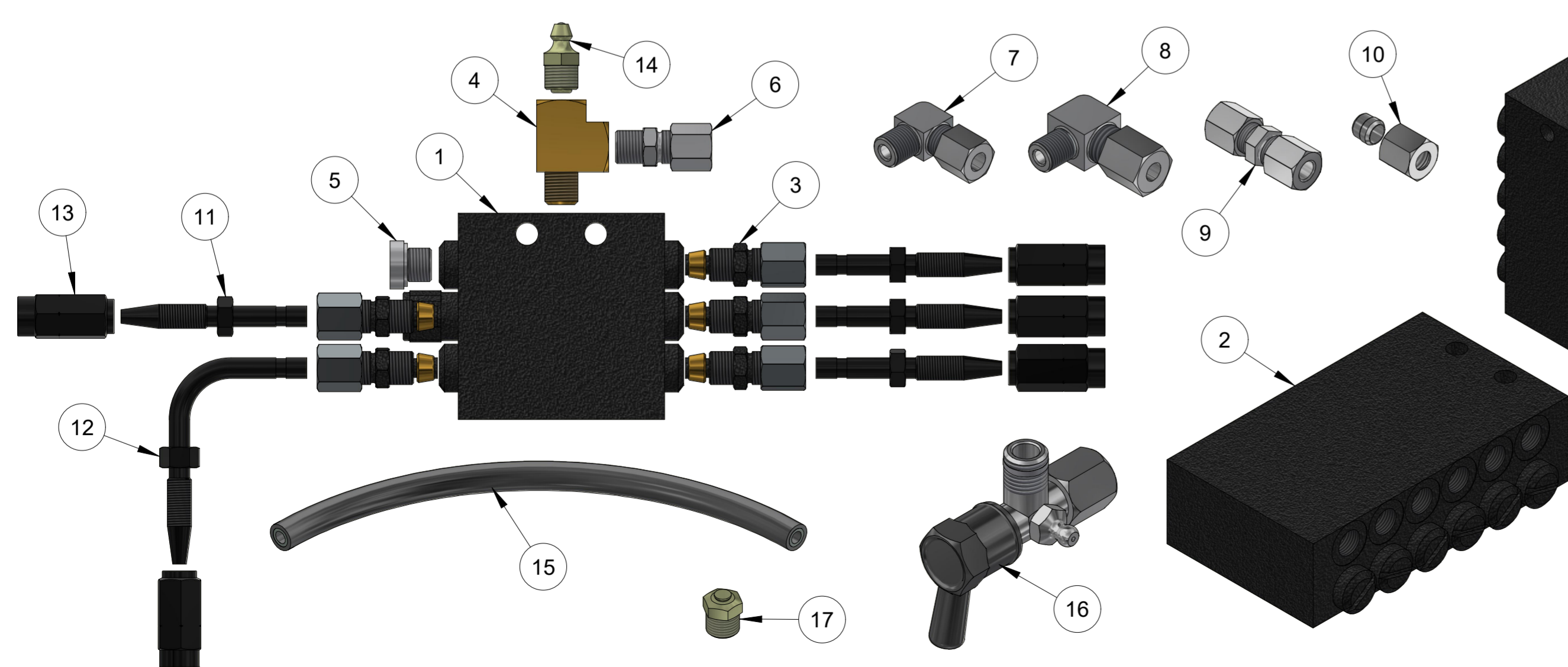
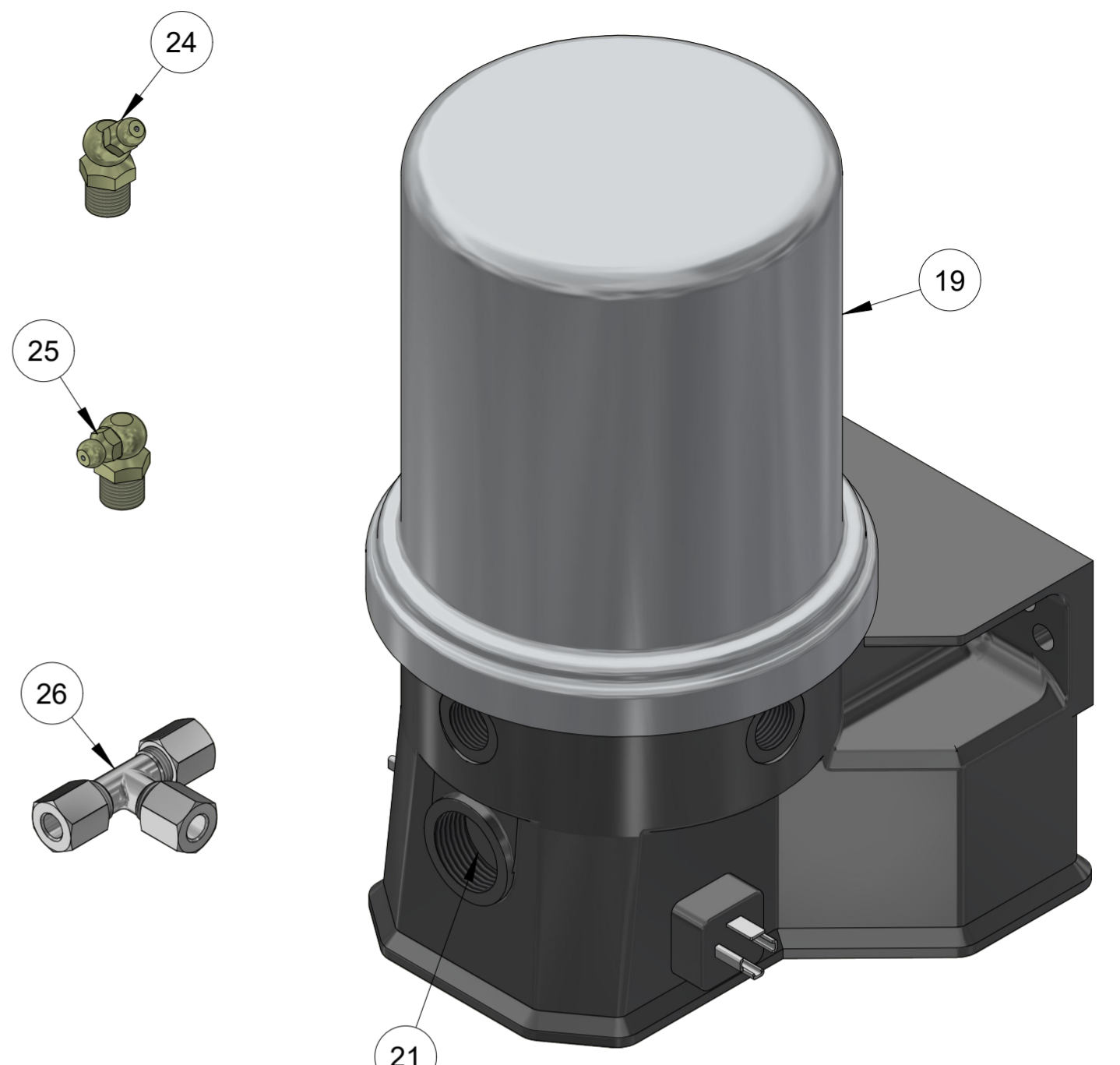
PART NUMBER	DESCRIPTION
MT9111 0003 8185	MID FRAME 1.5m
PART NUMBER	DESCRIPTION
MT9111 0003 8188	MID FRAME 1.8m

MT Parts: 0407 059 610
 1 Haesy Circuit, Roseworthy S.A. 5371
 171 Dugan Street, Kalgoorlie W.A. 6430
parts@mtunderground.com
www.mtunderground.com

PAGE
1.7

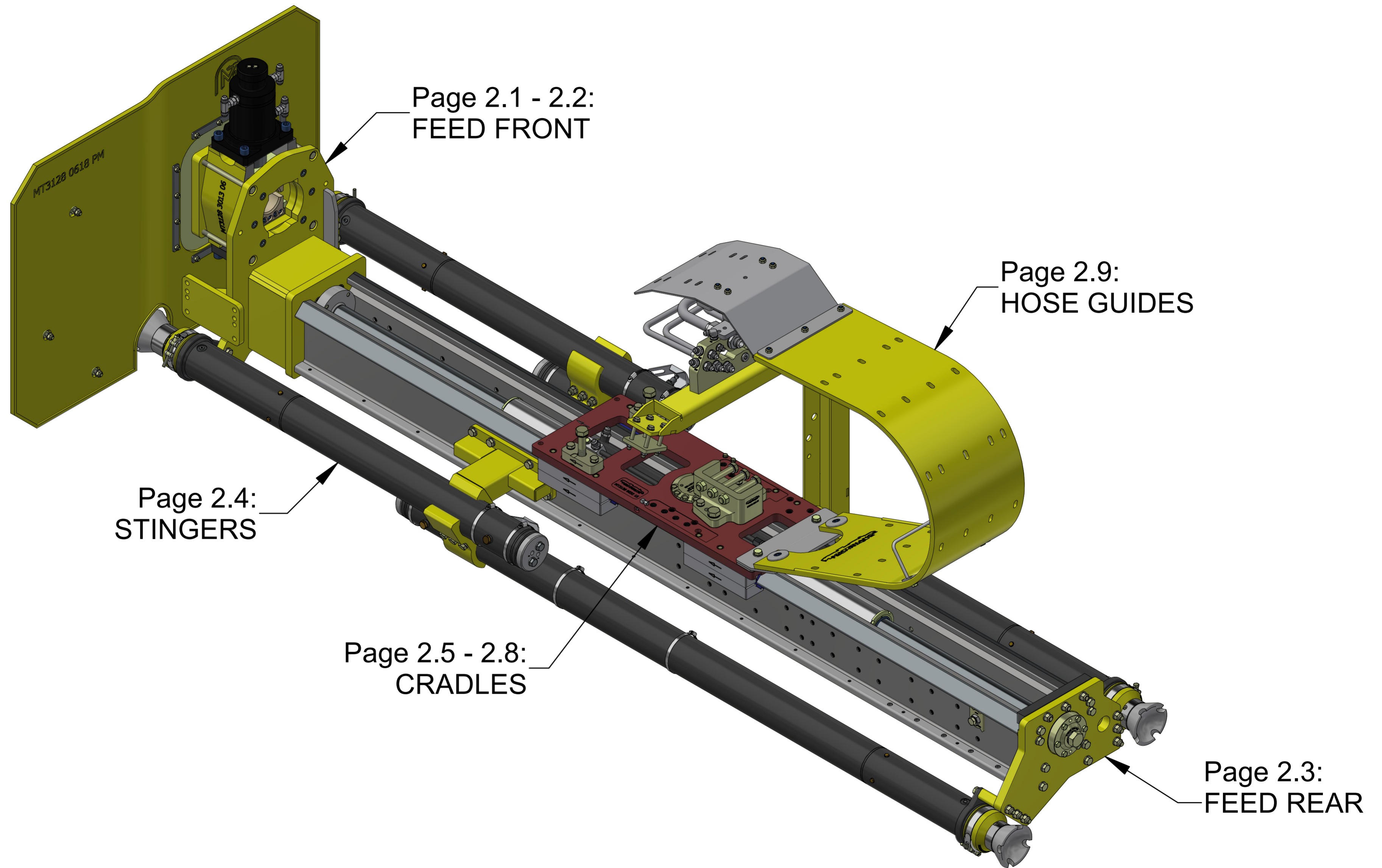
ITEM	PART NUMBER	DESCRIPTION	QTY	COMMENTS
1	MT3128 2538 17	GREASE DISTRIBUTOR BLOCK 6 PORT	1	With indicator
2	MT3128 2538 18	GREASE DISTRIBUTOR BLOCK 12 PORT	1	
3	MT3128 2539 95	CHECK VALVE	6	
4	MT3128 2538 12	ADAPTOR T	2	Grease block
5	MT3128 3005 37	PLUG	6	Grease block
6	MT0580 0002 00	COUPLING STRAIGHT	10	
7	MT0580 2202 00	COUPLING 90°	10	1/8" BSP (12mm hex nut)
8	MT0580 2014 07	COUPLING 90°	6	1/8" BSP (14mm hex nut)
9	MT3128 2538 08J	HOSE JOINER	10	
10	MT3128 2539 9A	NUT & OLIVE	6	
11	MT3128 2538 09	HOSE ADAPTOR STRAIGHT	10	
12	MT3128 2538 90	HOSE ADAPTER 90°	10	
13	MT3128 2538 08	THREADED SLEEVE	20	
14	MT0544 2162 00	GREASE NIPPLE	10	1/8" BSP
15	MT3128 2538 10	HIGH POWER PIPE	10	Order by metre
16	MT3128 2538 02	SAFETY VALVE	1	Pump outlet
17	MT3128 3151 485	RELIEF VALVE	2	Grease, 5 Bar
18	MT9106 1900 012	STORAGE BOX	1	Not shown
19	MT3128 2538 36	GREASE PUMP		Not in repair kit, supplied with 1 pump element
20	MT3128 2538 01	PUMP ELEMENT		Not in repair kit
21	MT3128 3049 45	CIRCUIT BOARD		Not in repair kit
22	MT3128 2538 03	GREASE DISTRIBUTOR BLOCK 8 PORT		Not in repair kit, not shown
23	MT3128 2538 19	GREASE DISTRIBUTOR BLOCK 12 PORT		Not in repair kit, with indicator, not shown
24	MT0544 2362 00	GREASE NIPPLE 45°		Not in repair kit, 1/8" BSP
25	MT0544 2562 00	GREASE NIPPLE 90°		Not in repair kit, 1/8" BSP
26	MT0580 4602 00	TEE JOINER		Not in repair kit
27	MT5112 2164 00	PVC HIGH POWER PIPE		Not in repair kit, order by metre
28	MT3128 2538 73	HOSE STUD - 7/16"		Not in repair kit
29	MT3128 2538 77	HOSE STUD 90° SHORT - 7/16"		Not in repair kit
30	MT3128 2538 79	THREADED SLEEVE - 7/16"		Not in repair kit
31	MT3128 2538 87	GREASE DISTRIBUTOR BLOCK 10 PORT		Not in repair kit



Auto Grease Repair Kit



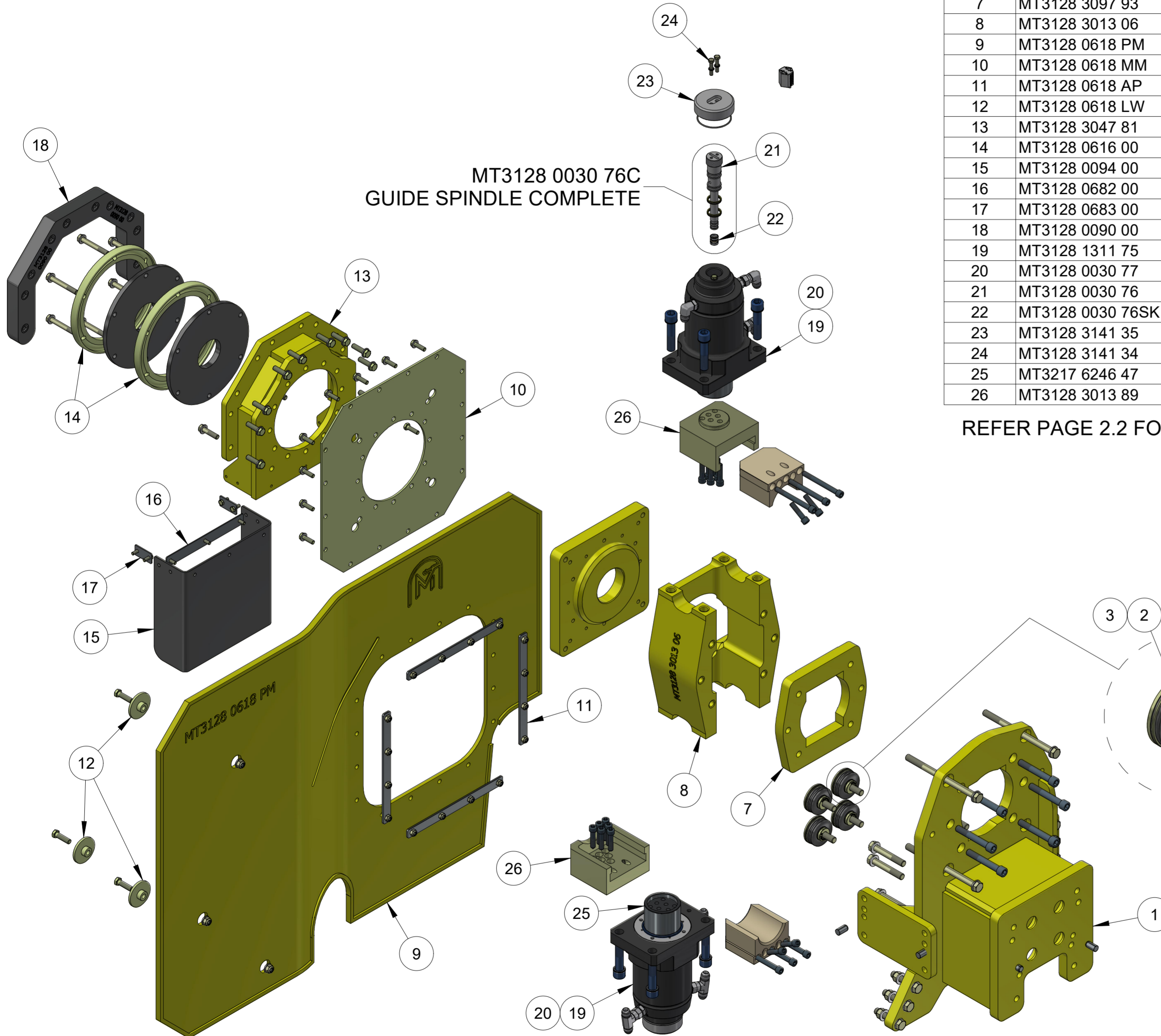
PART NUMBER MT3128 2538 189	DESCRIPTION AUTO GREASE REPAIR KIT
	
MT Parts: 0407 059 610 1 Haheey Circuit, Roseworthy S.A. 5371 171 Dugan Street, Kalgoorlie W.A. 6430 parts@mtunderground.com www.mtunderground.com	
PAGE 1.8	

SECTION 2: FEED



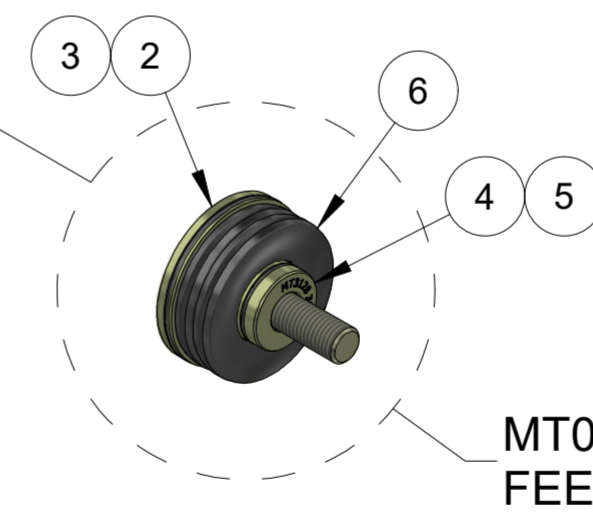
PART NUMBER	DESCRIPTION
MT3128 E701 C	FEED ASSEMBLY
	MT Parts: 0407 059 610 1 Haehy Circuit, Roseworthy S.A. 5371 171 Dugan Street, Kalgoorlie W.A. 6430 parts@mtunderground.com www.mtunderground.com
 MAINTENANCE TECHNIQUE	

MT3128 0030 76C
GUIDE SPINDLE COMPLETE



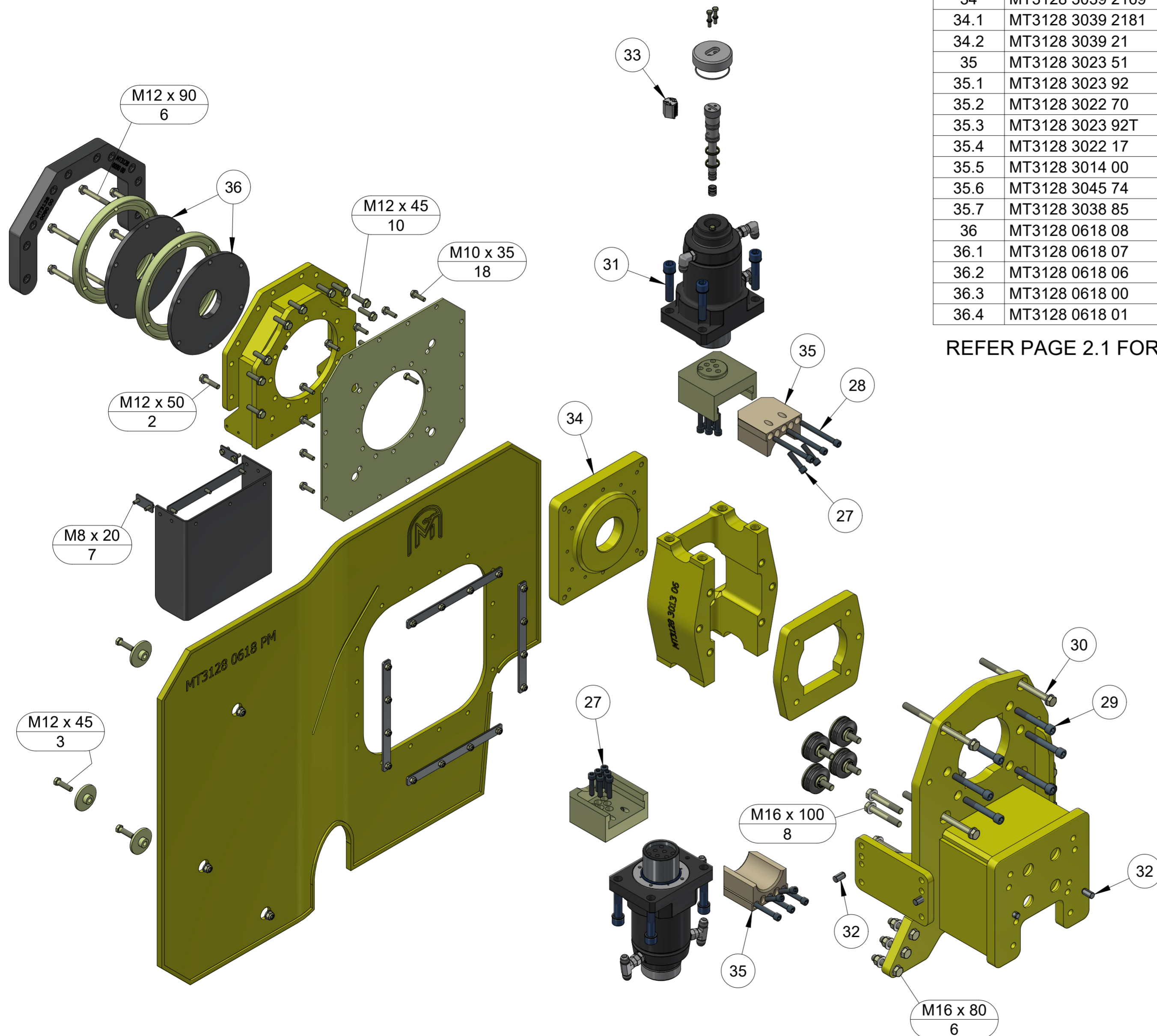
ITEM	PART NUMBER	DESCRIPTION	QTY	COMMENTS
1	MT3128 3105 16	FRONT PLATE	1	
2	MT3128 3097 90	WASHER	4	
3	MT0663 2102 09	O-RING	4	
4	MT3128 3097 91	SLEEVE	4	
5	MT0663 6131 00	O-RING	4	
6	MT0384 3546 00	DISC SPRING	16	
7	MT3128 3097 93	INTERM PLATE	1	
8	MT3128 3013 06	DRILL STEEL SUPPORT	1	
9	MT3128 0618 PM	CAROUSEL PROTECTION MAT	1	
10	MT3128 0618 MM	MAT MOUNT	1	
11	MT3128 0618 AP	ATTACHMENT PLATE	4	
12	MT3128 0618 LW	MAT WASHER	3	
13	MT3128 3047 81	CUTTING GUIDE	1	
14	MT3128 0616 00	CUTTING RING	2	
15	MT3128 0094 00	RUBBER CLOTH	1	
16	MT3128 0682 00	SHIM	1	
17	MT3128 0683 00	SHIM	2	
18	MT3128 0090 00	COLLARING PART	1	
19	MT3128 1311 75	HYDRAULIC CYLINDER	2	
20	MT3128 0030 77	CYLINDER SEAL KIT	1	Includes spindle seals
21	MT3128 0030 76	GUIDE SPINDLE	2	
22	MT3128 0030 76SK	GUIDE SPINDLE SEAL KIT	1	
23	MT3128 3141 35	COVER	2	
24	MT3128 3141 34	M8x40 HEX HD	4	
25	MT3217 6246 47	PISTON ROD	2	
26	MT3128 3013 89	SIMBA JAW HOLDER	2	

REFER PAGE 2.2 FOR ITEMS NOT LISTED ABOVE



MT0384 3546 00C
FEED CYLINDER RETAINER KIT

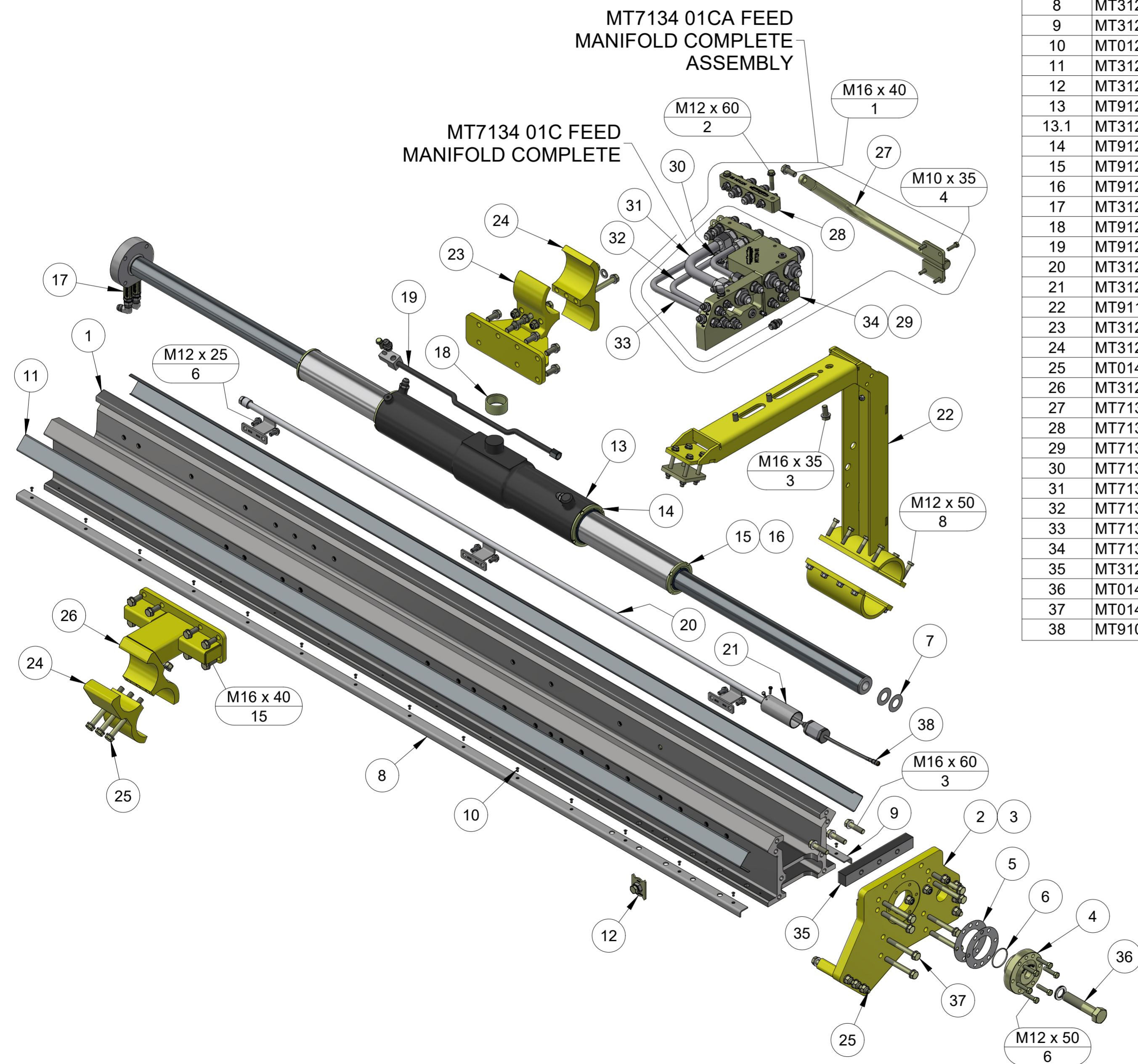
PART NUMBER	DESCRIPTION
MT3128 0020 26-2	FEED FRONT
 	
MT Parts: 0407 059 610 1 Haehy Circuit, Roseworthy S.A. 5371 171 Dugan Street, Kalgoorlie W.A. 6430 parts@mtunderground.com www.mtunderground.com	
PAGE	2.1



ITEM	PART NUMBER	DESCRIPTION	QTY	COMMENTS
27	MT0211 1963 02	M12x50 SHCS	16	
28	MT0211 1963 44	M12x120 SHCS	6	
29	MT0211 1963 42	M16x110 SHCS	6	
30	MT0147 1501 03	M16x240 HEX HD	4	
31	MT0211 1963 35	M20x90 SHCS	8	
32	MT3128 3022 32	PIN	4	
33	MT3128 0672 02	BSH ADJUSTING TOOL	1	
34	MT3128 3039 2169	INTERM. PLATE - GUIDE 64mm	1	T45
34.1	MT3128 3039 2181	INTERM. PLATE - GUIDE 76mm	1	T58
34.2	MT3128 3039 21	INTERM. PLATE - GUIDE 87mm	1	T68
35	MT3128 3023 51	CHECK 32mm SPEED ROD	2	R32
35.1	MT3128 3023 92	CHECK 38mm SPEED ROD	2	T38
35.2	MT3128 3022 70	CHECK 45mm SPEED ROD	2	T45
35.3	MT3128 3023 92T	CHECK T38 TUBE JAW	2	T38
35.4	MT3128 3022 17	CHECK 64mm TUBE JAW	2	ST45
35.5	MT3128 3014 00	CHECK T51 TUBE JAW	2	T51
35.6	MT3128 3045 74	CHECK 76mm TUBE JAW	2	T58
35.7	MT3128 3038 85	CHECK 87mm TUBE JAW	2	T68
36	MT3128 0618 08	TUBE CUTTING GASKET 32-36mm	2	T32
36.1	MT3128 0618 07	TUBE CUTTING GASKET 38mm	2	T38
36.2	MT3128 0618 06	TUBE CUTTING GASKET 45mm	2	T45
36.3	MT3128 0618 00	TUBE CUTTING GASKET 64-76mm	2	ST58
36.4	MT3128 0618 01	TUBE CUTTING GASKET 87mm	2	ST68

REFER PAGE 2.1 FOR ITEMS NOT LISTED ABOVE

PART NUMBER MT3128 0020 26-3		DESCRIPTION FEED FRONT	
			
MT Parts: 0407 059 610 1 Haehy Circuit, Roseworthy S.A. 5371 171 Dugan Street, Kalgoorlie W.A. 6430 parts@mtunderground.com www.mtunderground.com		PAGE 2.2	



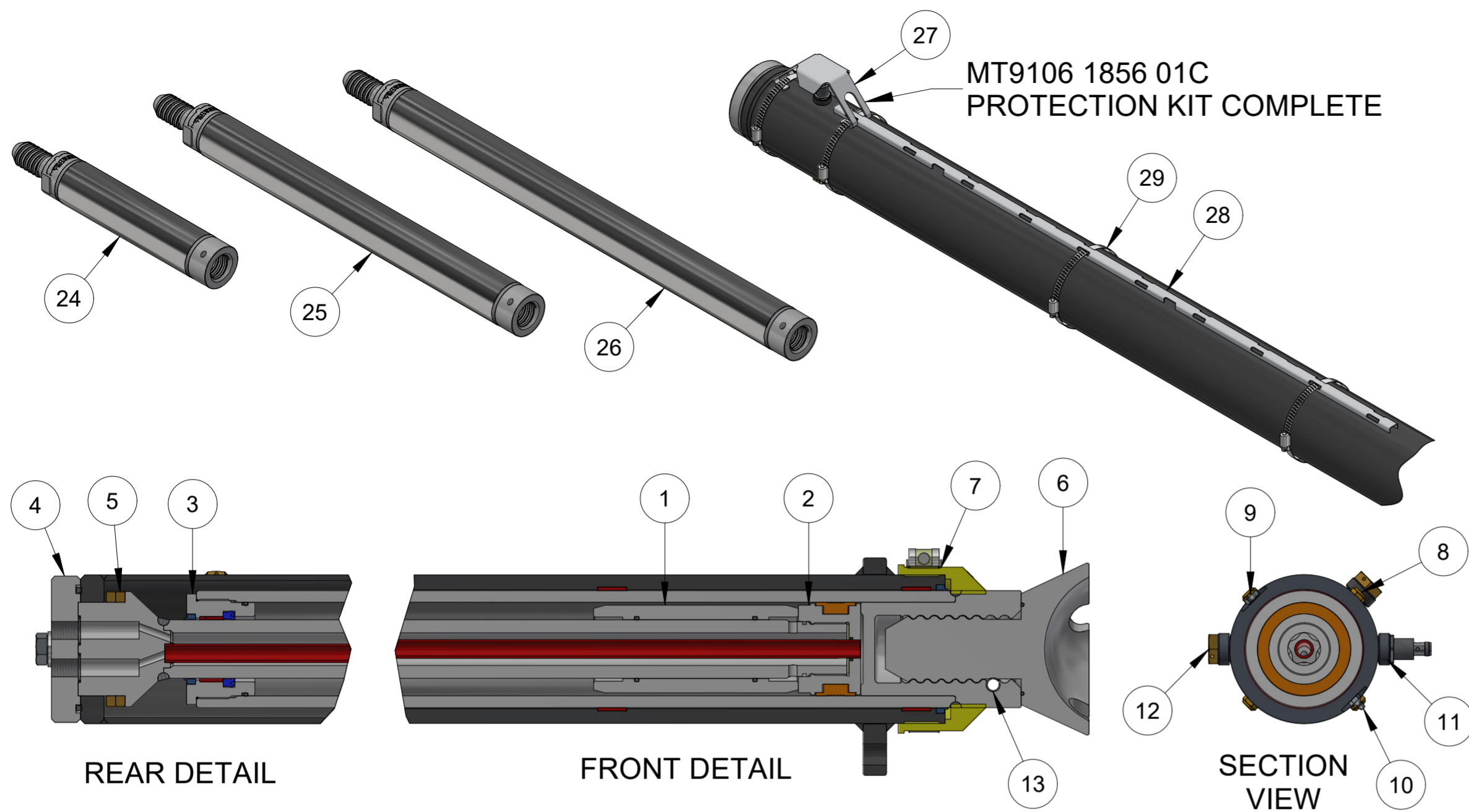
ITEM	PART NUMBER	DESCRIPTION	QTY	COMMENTS
1	MT3128 0030 62	FEED BEAM	1	Includes items 8 - 12
2	MT3128 3097 88	END PLATE COMPLETE	1	Includes items 3 - 7
3	MT3128 3097 88P	END PLATE	1	
4	MT3128 3097 88B	END PLATE ATTACHMENT	1	
5	MT3128 3097 88BS	END PLATE ATTACHMENT SHIM	2	
6	MT0663 2103 67	O-RING	1	
7	MT9236 2002 69	SHIM	2	
8	MT3128 0034 05	SLIDE BAR LEFT	1	
9	MT3128 0034 06	SLIDE BAR RIGHT	1	
10	MT0129 3270 44	BLIND RIVET S/S	28	
11	MT3128 0034 01	CLIP-ON 200 SERIES	2	
12	MT3128 0034 013	CLIP-ON LOCKING ASSEMBLY	2	
13	MT9121 7221 01SX	FEED CYLINDER 1.8m	1	Service ex.
13.1	MT3128 3019 97SX	FEED CYLINDER 1.5m	0	Service ex.
14	MT9122 4332 50	COVER	2	
15	MT9126 2770 50	COVER	2	
16	MT9121 6526 50	FEED CYLINDER SEAL KIT	1	Complete
17	MT3128 0785 74	EXTENSION	2	
18	MT9127 2523 00	PLAIN BEARING	1	
19	MT9126 2714 00	PIPE	1	
20	MT3128 3097 99	SENSOR BRACKET	1	
21	MT3128 0030 19	PROTECT COVER	1	
22	MT9111 0004 06	HOSE BRACKET	1	
23	MT3128 3161 62	ATTACHMENT	1	
24	MT3128 3098 12	CLAMP	2	
25	MT0147 1496 03	M16x160 HEX HD	12	
26	MT3128 3098 13	ATTACHMENT	1	
27	MT7134 01B	BRACKET	1	
28	MT7134 02	BULKHEAD	1	
29	MT7134 01FK	FITTINGS KIT	1	
30	MT7134 PT	HYDRAULIC PIPE	1	
31	MT7134 RL	HYDRAULIC PIPE	1	
32	MT7134 FF	HYDRAULIC PIPE	1	
33	MT7134 FR	HYDRAULIC PIPE	1	
34	MT7134 01	FEED MANIFOLD	1	
35	MT3128 0037 00	DAMPING	1	
36	MT0147 1959 28	M30x150 HEX HD	1	
37	MT0147 1492 03	M16x120 HEX HD	8	
38	MT9106 2192 17	LINEAR SENSOR RCS4/5	1	

PART NUMBER: **MT3128 0020 26-4** DESCRIPTION: **FEED REAR**

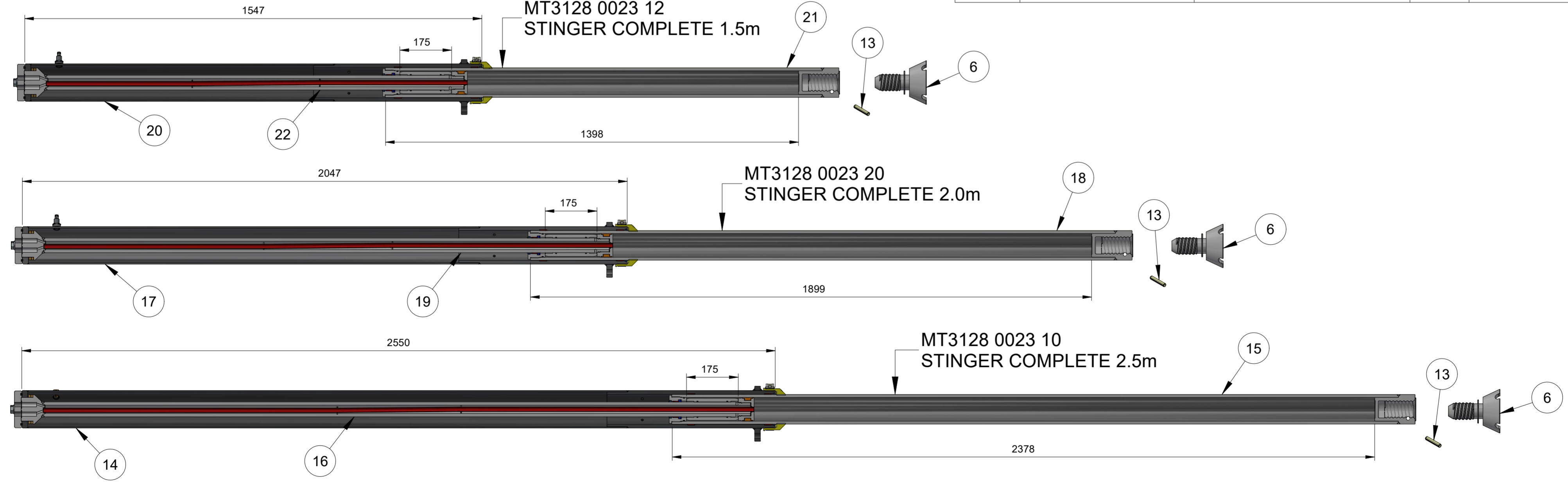



MT Parts: 0407 059 610
 1 Hahey Circuit, Roseworthy S.A. 5371
 171 Dugan Street, Kalgoorlie W.A. 6430
parts@mtunderground.com
www.mtunderground.com

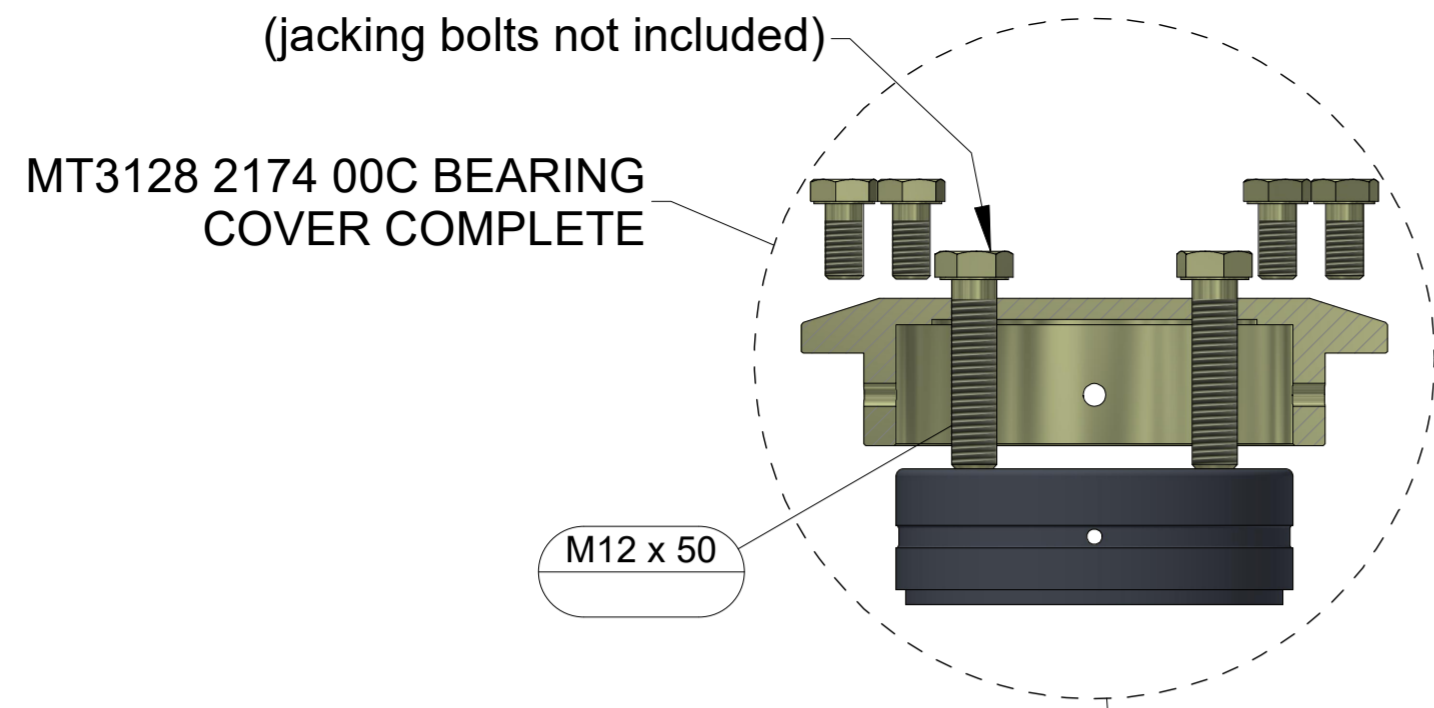
PAGE: **2.3**



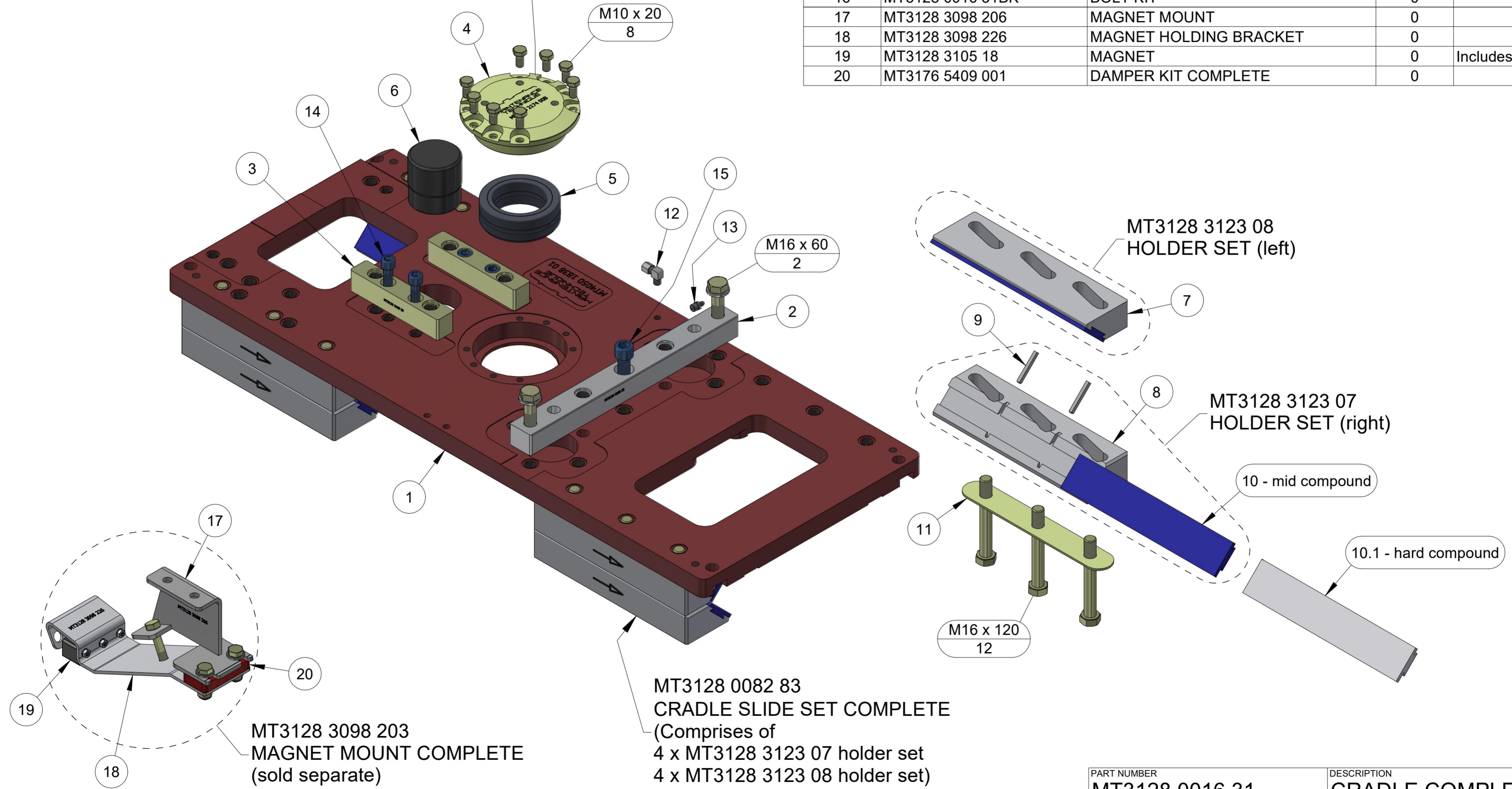
ITEM	PART NUMBER	DESCRIPTION	QTY	COMMENTS
1	MT9128 4285 175	SPACER	1	
2	MT3128 2592 16	PISTON	1	
3	MT9126 3960 00	COVER	1	
4	MT9236 2017 61	BLOCK	1	
5	MT9236 2017 62	WASHER	2	
6	MT9236 2027 42	STINGER FOOT	1	MT only, includes o-ring
7	MT3128 2191 72S	SEAL + CLAMP	1	
8	MT9236 2017 63	FILTER PLUG	4	
9	MT3128 3005 37	PLUG	1	
10	MT0544 2162 00	GREASE NIPPLE	1	
11	MT9106 1856 01	INDUCTIVE SENSOR	1	
12	MT9106 1856 01P	BREATHER PLUG	2	MT only
13	MT9236 2027 421	PIN	1	
14	MT3128 2191 703	OUTER TUBE 2500	1	
15	MT3128 2191 743	MANTLE 2500	1	
16	MT3128 2191 723	PISTON ROD 2500	1	MT only
17	MT3128 0023 200	OUTER TUBE 2000	1	
18	MT3128 2191 742	MANTLE 2000	1	
19	MT3128 2191 722	PISTON ROD 2000	1	
20	MT3128 0023 125	OUTER TUBE 1500	1	
21	MT3128 2191 741	MANTLE 1500	1	MT only
22	MT3128 2191 72	PISTON ROD 1500	1	Includes item 1
23	MT3128 2191 71	STINGER SEAL KIT	1	Item 7 not included
24	MT9111 2826 101	STINGER EXTENSION	1	ST58 - 500mm
25	MT9111 2826 121	STINGER EXTENSION	1	ST58 - 1000mm
26	MT9111 2826 131	STINGER EXTENSION	1	ST58 - 1250mm
27	MT9106 1856 011	SENSOR PROTECTION	1	
28	MT9106 1856 012	CABLE PROTECTION	1	
29	MT9106 1856 013	PROTECTION CLAMP	4	



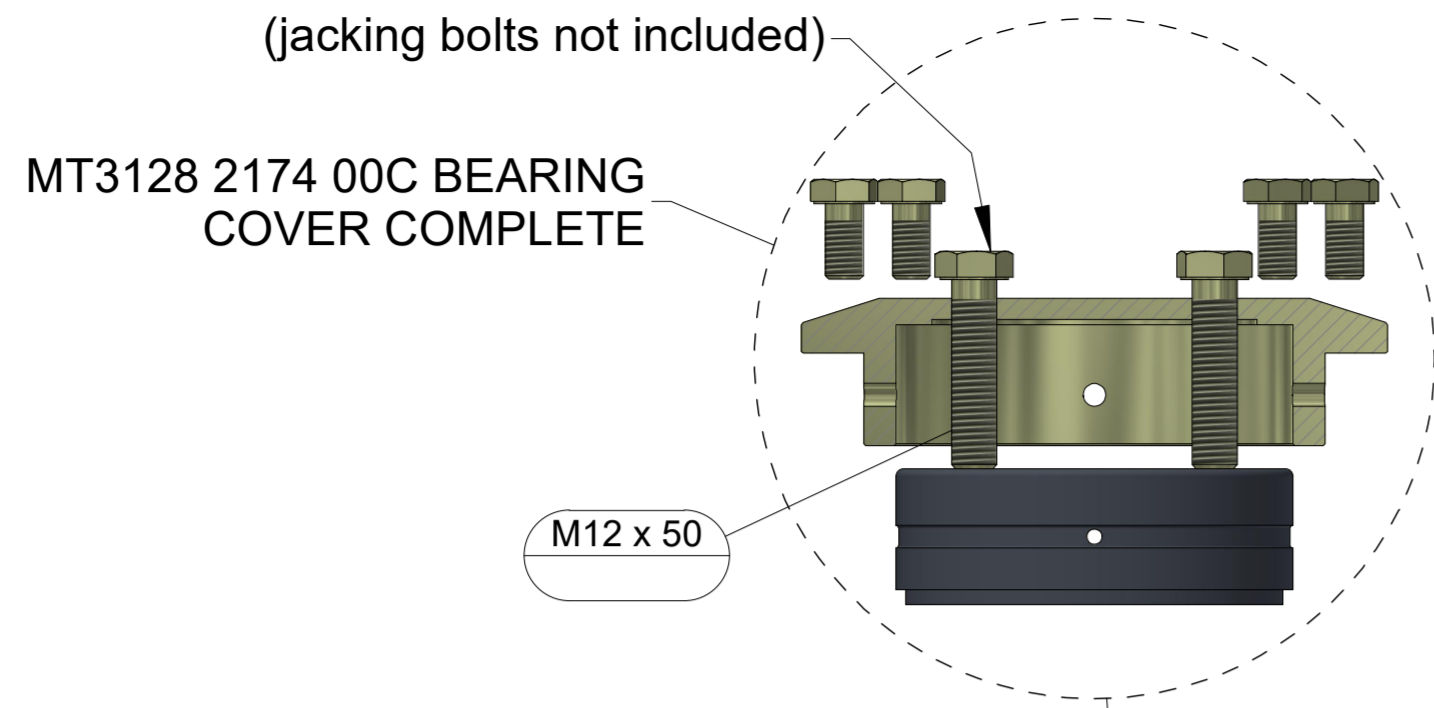
PART NUMBER MT3128 0023 109	DESCRIPTION STINGERS - RHS27
 	
MT Parts: 0407 059 610 1 Haehy Circuit, Roseworthy S.A. 5371 171 Dugan Street, Kalgoorlie W.A. 6430 parts@mtunderground.com www.mtunderground.com	
PAGE	2.4



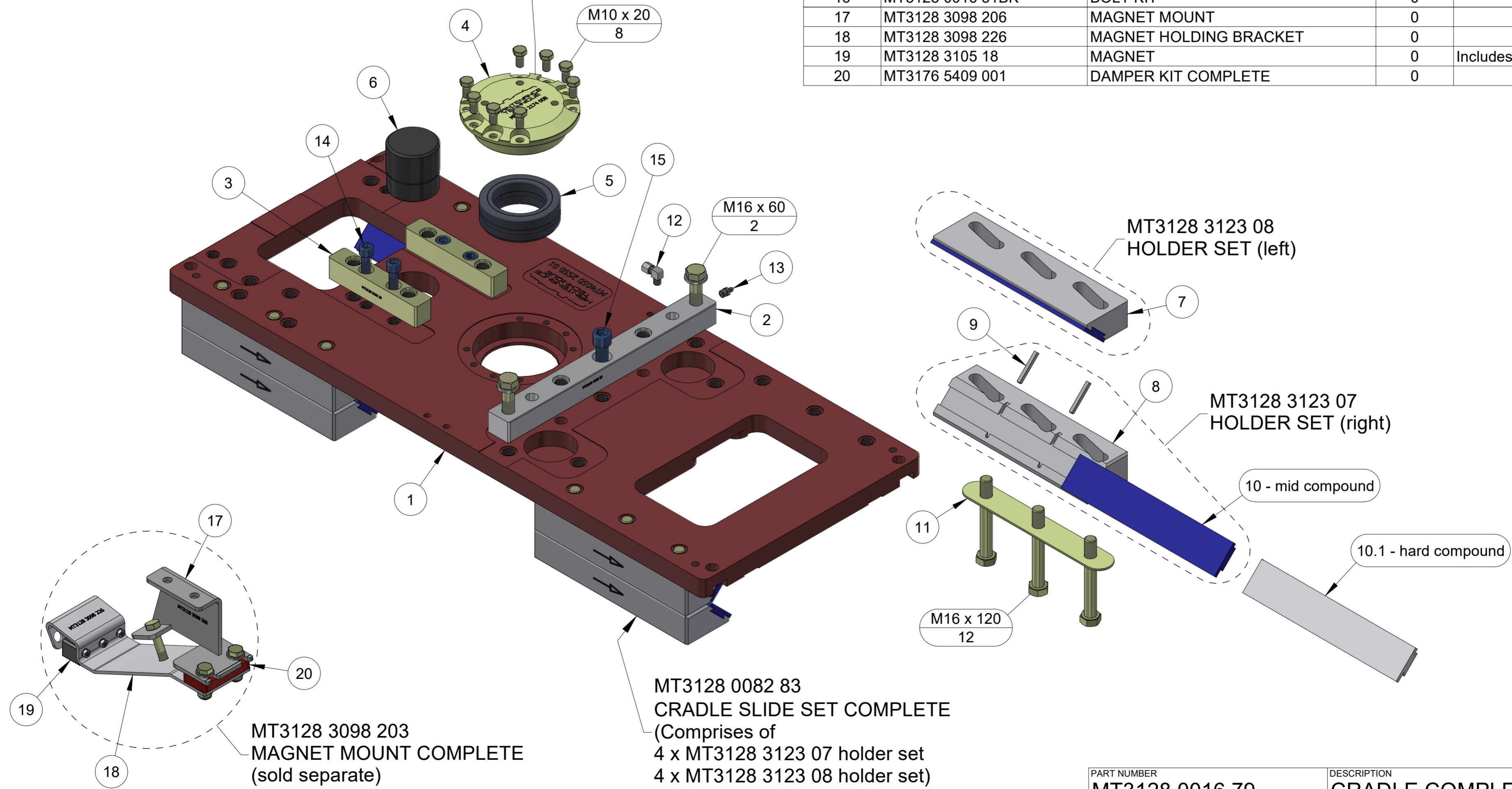
ITEM	PART NUMBER	DESCRIPTION	QTY	COMMENTS
1	MT4050 1838 01	UNIVERSAL CRADLE	1	
2	MT3128 3105 22	SPACER	1	
3	MT3128 3105 20	SPACER	2	
4	MT3128 2174 00B	BEARING COVER	1	MT only
5	MT3128 0314 00	BEARING	1	
6	MT3128 3098 07	DRIVER	1	
7	MT3128 0083 00	SLIDE HOLDER LH	4	
8	MT3128 0082 00	SLIDE HOLDER RH	4	
9	MT3128 0646 00	SLIDE KEY	16	
10	MT3128 3043 55	NYLON SLIDE - BLUE	8	Upholes - mid
10.1	MT3128 3043 55H	NYLON SLIDE - WHITE	0	Downholes - hard
11	MT0333 0500 03	WASHER PLATE	4	
12	MT0580 2202 00	COUPLING 90°	1	
13	MT0544 2162 00	GREASE NIPPLE	1	
14	MT0211 1962 94	M12x40 SHCS	4	
15	MT0211 1962 95	M16x40 SHCS	1	
16	MT3128 0016 31BK	BOLT KIT	0	
17	MT3128 3098 206	MAGNET MOUNT	0	
18	MT3128 3098 226	MAGNET HOLDING BRACKET	0	
19	MT3128 3105 18	MAGNET	0	Includes bolts & nuts
20	MT3176 5409 001	DAMPER KIT COMPLETE	0	





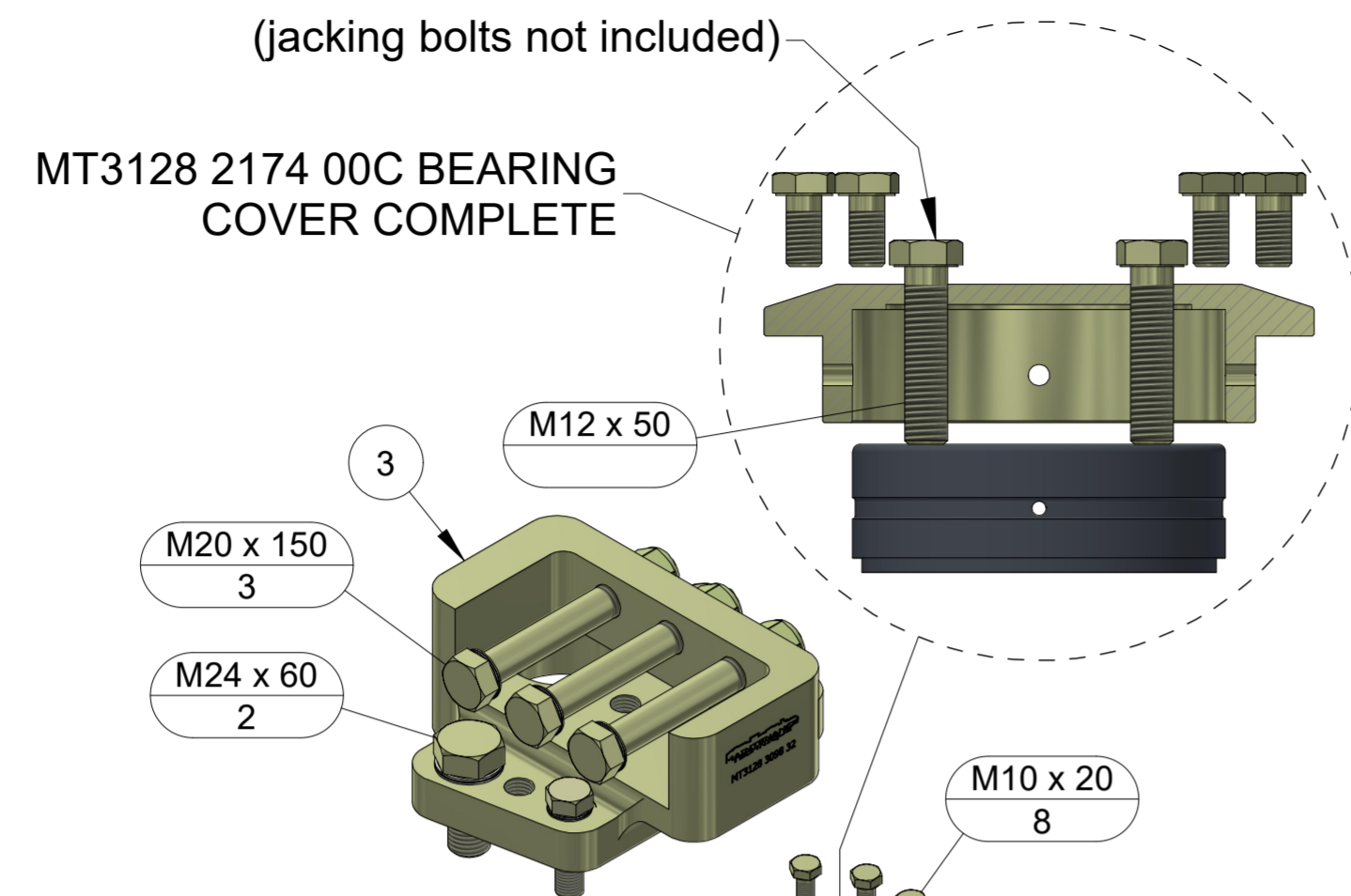
PART NUMBER MT3128 0016 31	DESCRIPTION CRADLE COMPLETE - 1838
MT Parts: 0407 059 610 1 Haehy Circuit, Roseworthy S.A. 5371 171 Dugan Street, Kalgoorlie W.A. 6430 parts@mtunderground.com www.mtunderground.com	
PAGE	2.5



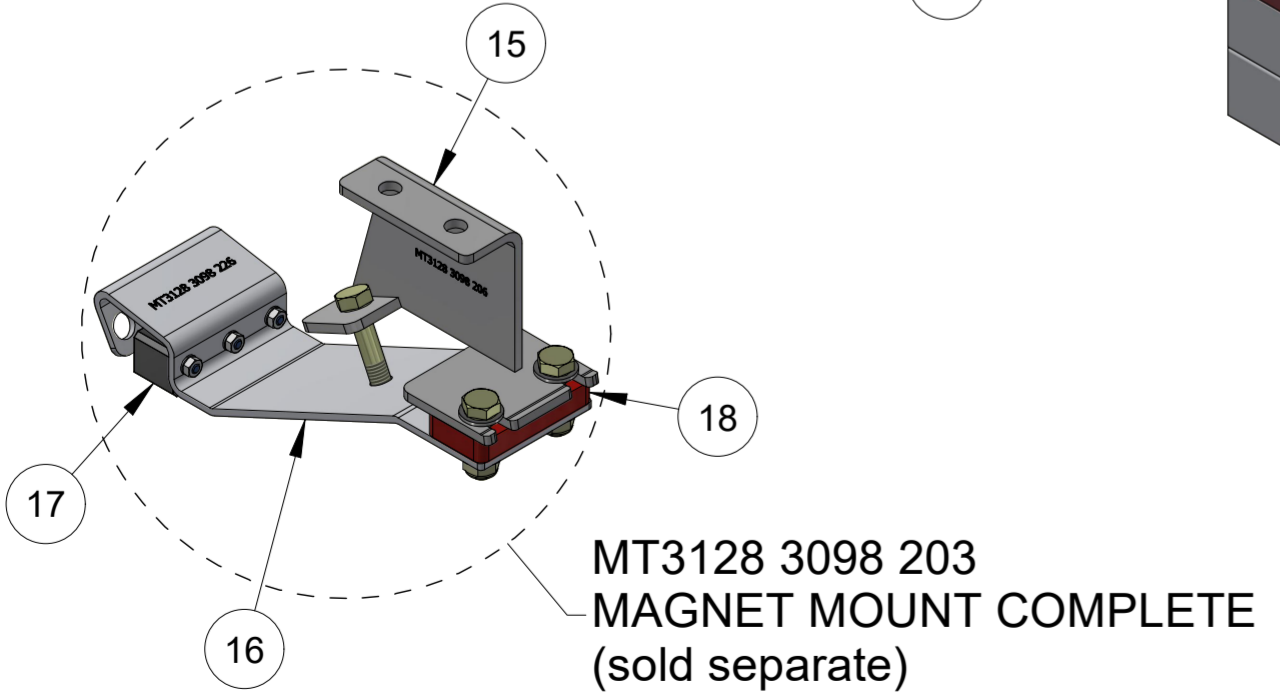
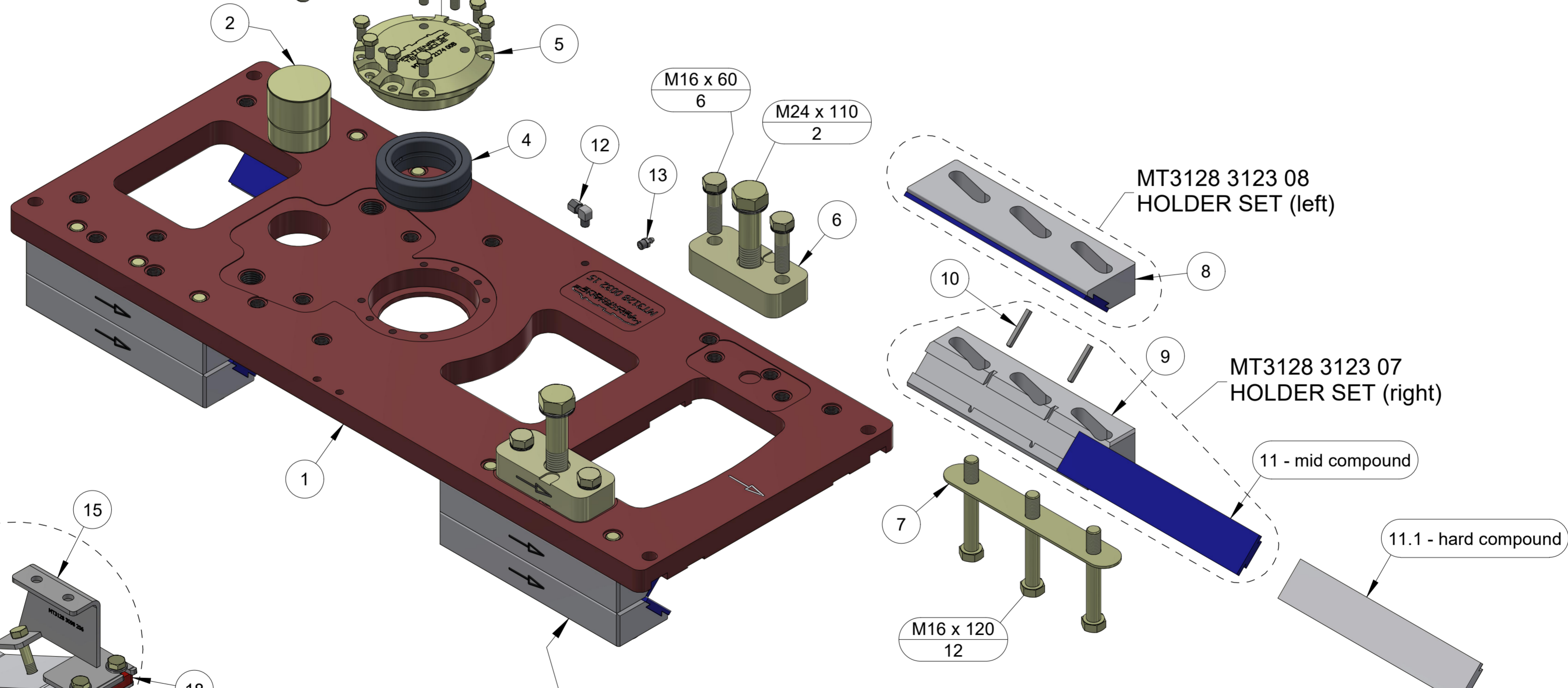
ITEM	PART NUMBER	DESCRIPTION	QTY	COMMENTS
1	MT4050 2550 01	UNIVERSAL CRADLE	1	
2	MT3128 3105 22	SPACER	1	
3	MT3128 3105 20	SPACER	2	
4	MT3128 2174 00B	BEARING COVER	1	MT only
5	MT3128 0314 00	BEARING	1	
6	MT3128 3098 07	DRIVER	1	
7	MT3128 0083 00	SLIDE HOLDER LH	4	
8	MT3128 0082 00	SLIDE HOLDER RH	4	
9	MT3128 0646 00	SLIDE KEY	16	
10	MT3128 3043 55	NYLON SLIDE - BLUE	8	Upholes - mid
10.1	MT3128 3043 55H	NYLON SLIDE - WHITE	0	Downholes - hard
11	MT0333 0500 03	WASHER PLATE	4	
12	MT0580 2202 00	COUPLING 90°	1	
13	MT0544 2162 00	GREASE NIPPLE	1	
14	MT0211 1962 94	M12x40 SHCS	4	
15	MT0211 1962 95	M16x40 SHCS	1	
16	MT3128 0016 31BK	BOLT KIT	0	
17	MT3128 3098 206	MAGNET MOUNT	0	
18	MT3128 3098 226	MAGNET HOLDING BRACKET	0	
19	MT3128 3105 18	MAGNET	0	Includes bolts & nuts
20	MT3176 5409 001	DAMPER KIT COMPLETE	0	





PART NUMBER MT3128 0016 79	DESCRIPTION CRADLE COMPLETE - 2550
 	
MT Parts: 0407 059 610 1 Haehy Circuit, Roseworthy S.A. 5371 171 Dugan Street, Kalgoorlie W.A. 6430 parts@mtunderground.com www.mtunderground.com	
PAGE	2.6



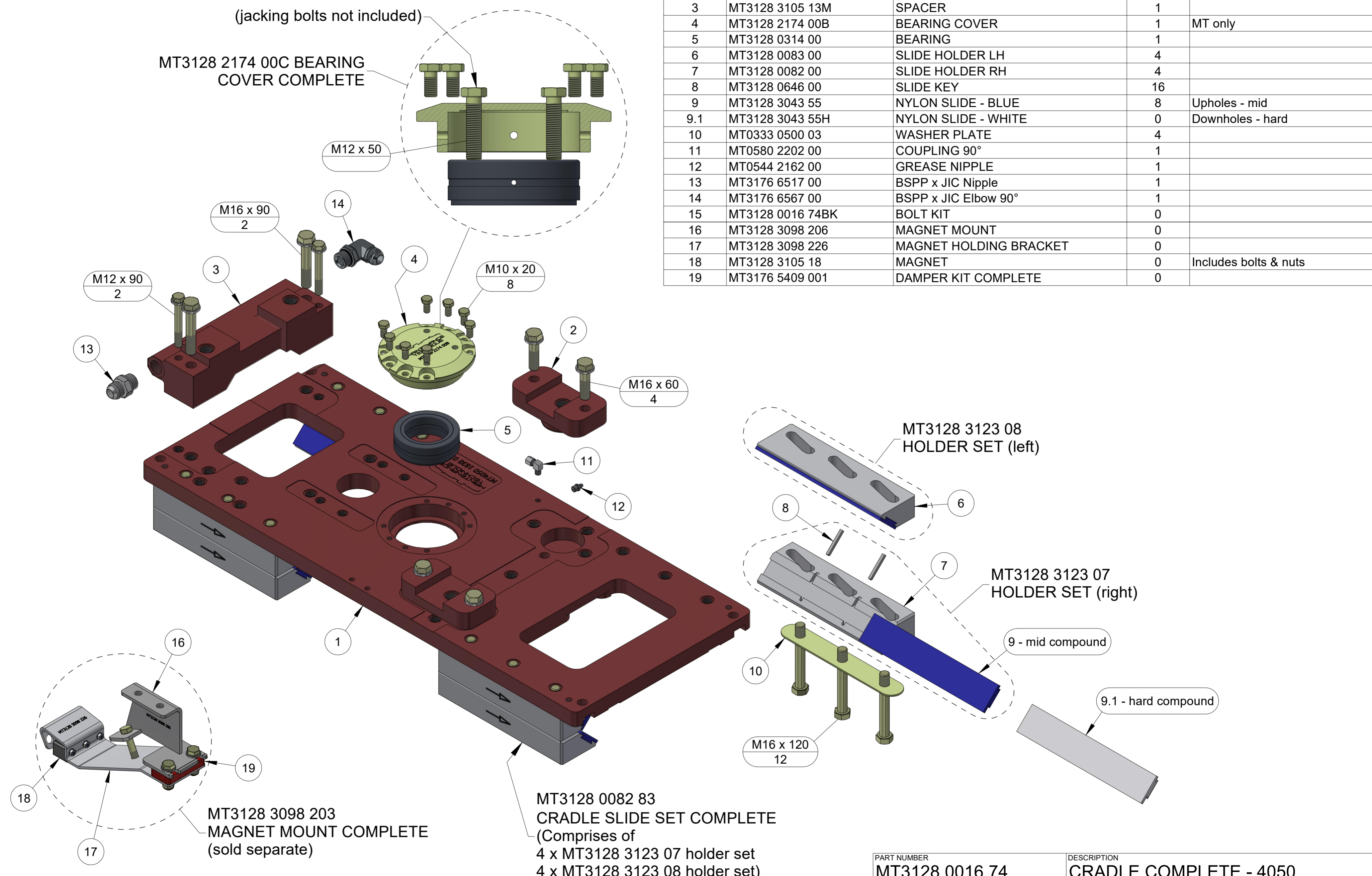
ITEM	PART NUMBER	DESCRIPTION	QTY	COMMENTS
1	MT3128 0032 15	CRADLE 3060B	1	
2	MT3128 3098 29	DRIVER	1	
3	MT3128 3098 32	ATTACHMENT	1	
4	MT3128 0314 00	BEARING	1	
5	MT3128 2174 00B	BEARING COVER	1	MT only
6	MT3128 3098 31	SPACER	2	
7	MT0333 0500 03	WASHER PLATE	4	
8	MT3128 0083 00	SLIDE HOLDER LH	4	
9	MT3128 0082 00	SLIDE HOLDER RH	4	
10	MT3128 0646 00	SLIDE KEY	16	
11	MT3128 3043 55	NYLON SLIDE - BLUE	8	Upholes - mid
11.1	MT3128 3043 55H	NYLON SLIDE - WHITE	0	Downholes - hard
12	MT0580 2202 00	COUPLING 90°	1	
13	MT0544 2162 00	GREASE NIPPLE	1	
14	MT3128 0016 43BK	BOLT KIT	0	
15	MT3128 3098 206	MAGNET MOUNT	0	
16	MT3128 3098 226	MAGNET HOLDING BRACKET	0	
17	MT3128 3105 18	MAGNET	0	Includes bolts & nuts
18	MT3176 5409 001	DAMPER KIT COMPLETE	0	





MT3128 0082 83 CRADLE SLIDE SET COMPLETE (Comprises of 4 x MT3128 3123 07 holder set 4 x MT3128 3123 08 holder set)

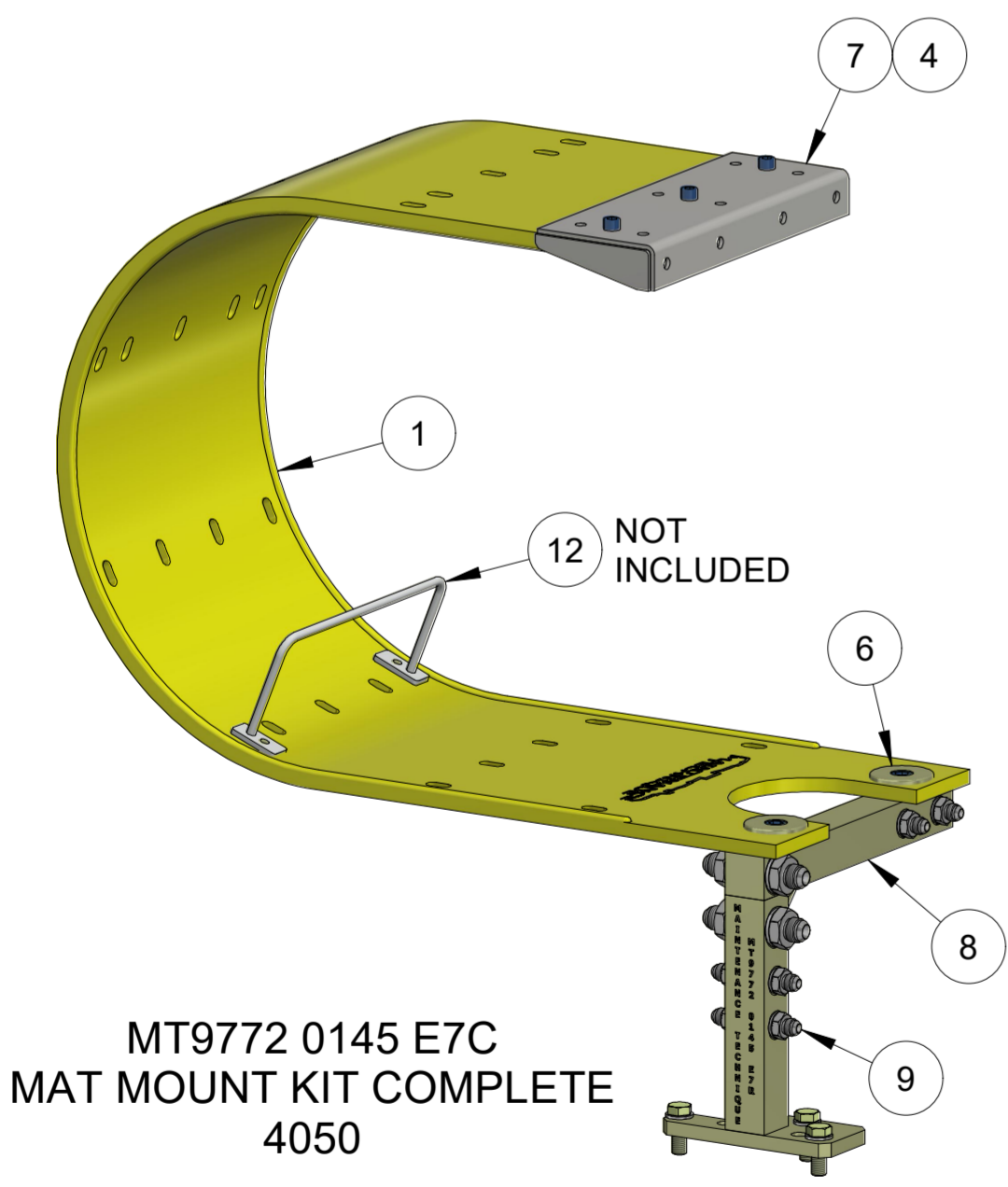
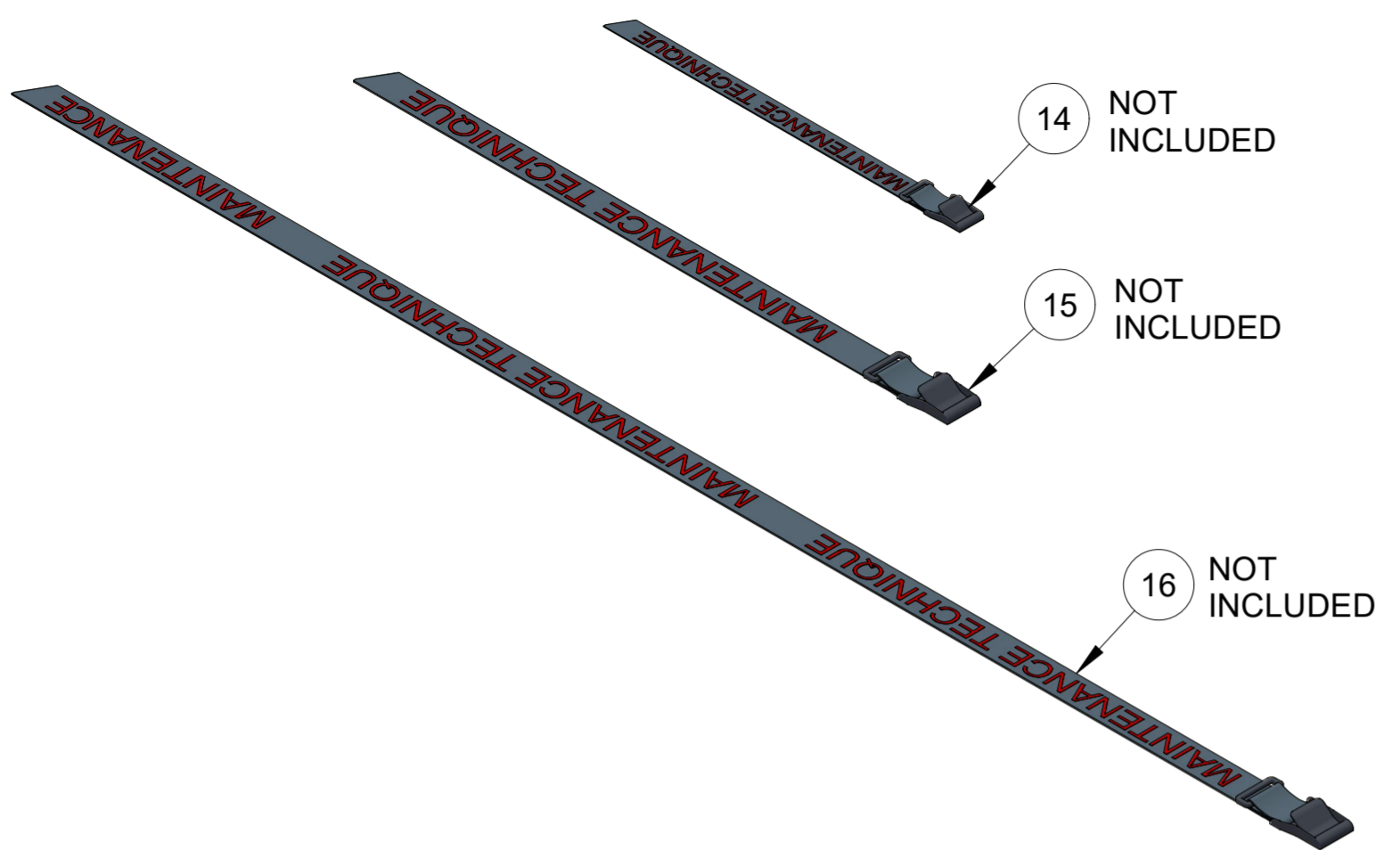
PART NUMBER MT3128 0016 43	DESCRIPTION CRADLE COMPLETE - 3060
 	
MT Parts: 0407 059 610 1 Haesy Circuit, Roseworthy S.A. 5371 171 Dugan Street, Kalgoorlie W.A. 6430 parts@mtunderground.com www.mtunderground.com	
PAGE	2.7

ITEM	PART NUMBER	DESCRIPTION	QTY	COMMENTS
1	MT4050 1838 01	UNIVERSAL CRADLE	1	
2	MT3128 3105 12	SPACER	2	
3	MT3128 3105 13M	SPACER	1	
4	MT3128 2174 00B	BEARING COVER	1	MT only
5	MT3128 0314 00	BEARING	1	
6	MT3128 0083 00	SLIDE HOLDER LH	4	
7	MT3128 0082 00	SLIDE HOLDER RH	4	
8	MT3128 0646 00	SLIDE KEY	16	
9	MT3128 3043 55	NYLON SLIDE - BLUE	8	Upholes - mid
9.1	MT3128 3043 55H	NYLON SLIDE - WHITE	0	Downholes - hard
10	MT0333 0500 03	WASHER PLATE	4	
11	MT0580 2202 00	COUPLING 90°	1	
12	MT0544 2162 00	GREASE NIPPLE	1	
13	MT3176 6517 00	BSPP x JIC Nipple	1	
14	MT3176 6567 00	BSPP x JIC Elbow 90°	1	
15	MT3128 0016 74BK	BOLT KIT	0	
16	MT3128 3098 206	MAGNET MOUNT	0	
17	MT3128 3098 226	MAGNET HOLDING BRACKET	0	
18	MT3128 3105 18	MAGNET	0	Includes bolts & nuts
19	MT3176 5409 001	DAMPER KIT COMPLETE	0	

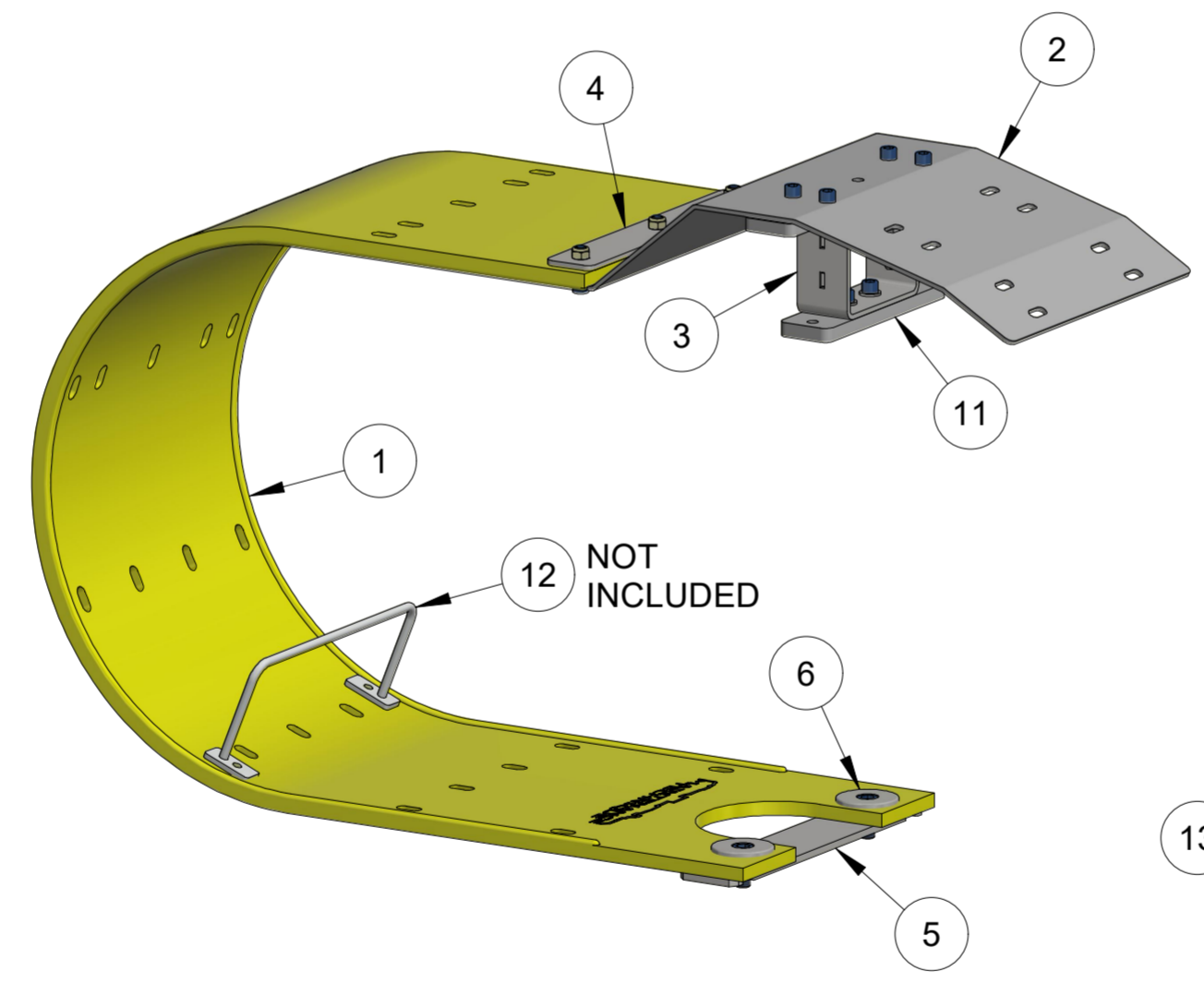


PART NUMBER	DESCRIPTION
MT3128 0016 74	CRADLE COMPLETE - 4050
 	
MT Parts: 0407 059 610 1 Haehy Circuit, Roseworthy S.A. 5371 171 Dugan Street, Kalgoorlie W.A. 6430 parts@mtunderground.com www.mtunderground.com	
PAGE	2.8

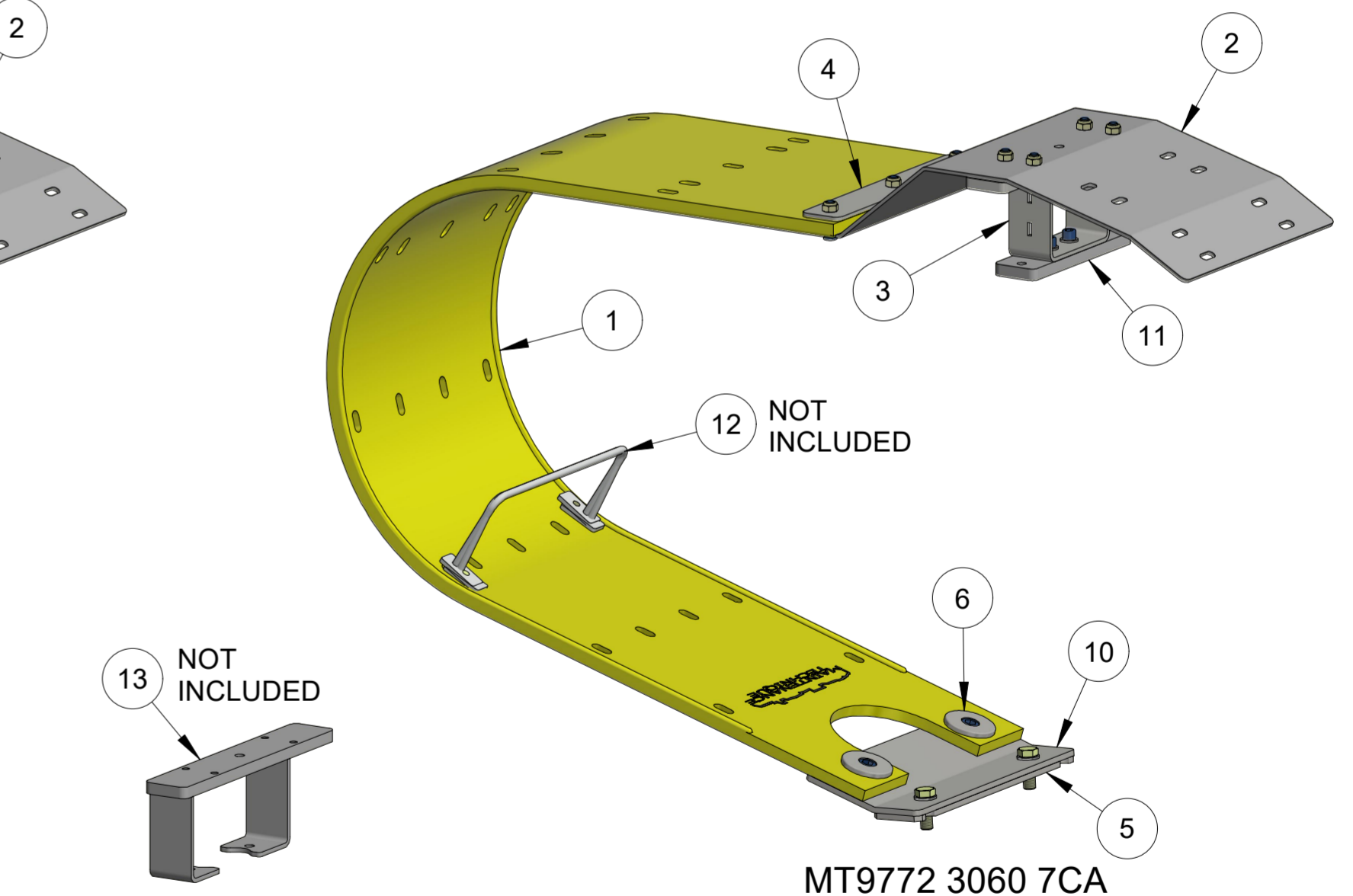
ITEM	PART NUMBER	DESCRIPTION	QTY	COMMENTS
1	MT9772 0145 25	MAT		
2	MT9772 0145 25B	BENT ATTACHMENT		
3	MT9772 0145 25M	MOUNT		
4	MT9772 0145 25P	CLAMPING PLATE		
5	MT9772 0145 25S	MAT SPACER		
6	MT9772 0145 25W	WASHER		Includes Screw
7	MT9772 0145 E7A	MAT ATTACHMENT		
8	MT9772 0145 E7R	MAT MOUNT FRAME		
9	MT9772 0145 FK	FITTINGS KIT		
10	MT9772 3060 7CBA	BOTTOM ADAPTOR		
11	MT9772 0130 60	ADAPTOR PLATE		MT adaptor - M/E7C
12	MT9772 0145 254	HOSE GUIDE		
13	MT9772 0145 257	MOUNT		OEM only
14	MT3103 0112 10	STRAP MINI		
15	MT3176 3681 00	STRAP SHORT		
16	MT3115 0212 00	STRAP LONG		



MT9772 0145 E7C
MAT MOUNT KIT COMPLETE
4050





MT9772 0145 25C
HOSE GUIDE COMPLETE
M7C / 1838
(with MT FEED BULKHEAD)



ADAPTOR to suit M/E7C
(with OEM FEED MANIFOLD)

MT9772 3060 7CA
HOSE GUIDE COMPLETE
M/E7C / 3060
(with MT FEED BULKHEAD)

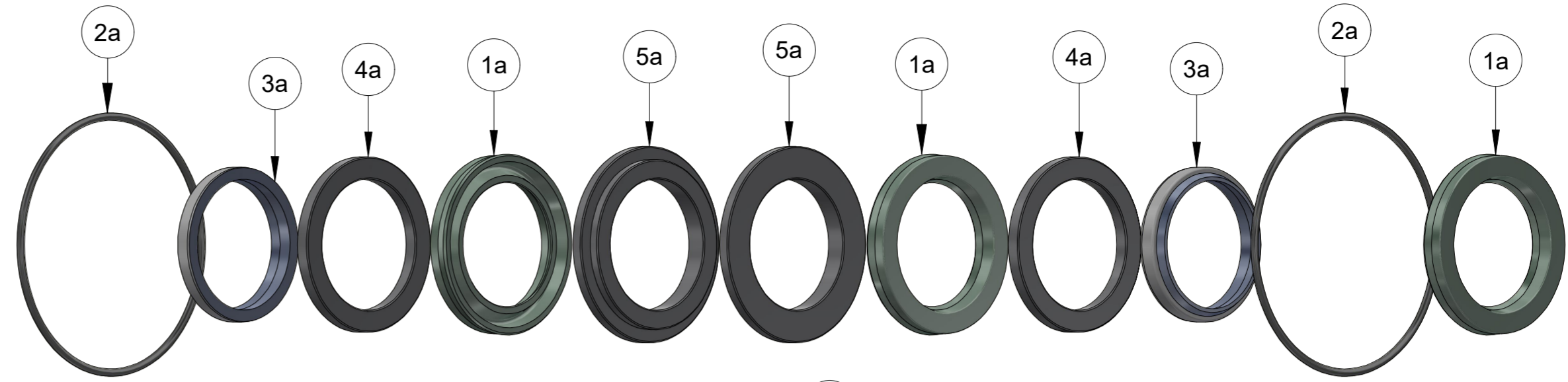
PART NUMBER	DESCRIPTION
	HOSE GUIDES

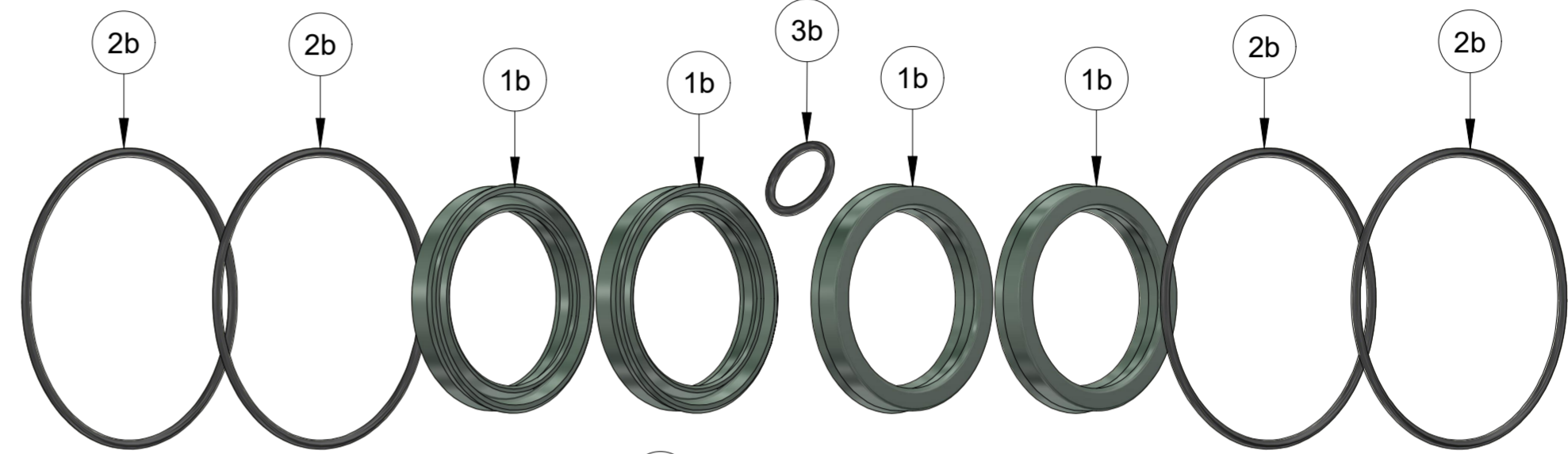
MT Parts: 0407 059 610
1 Haehy Circuit, Roseworthy S.A. 5371
171 Dugan Street, Kalgoorlie W.A. 6430
parts@mtunderground.com
www.mtunderground.com

PAGE
2.9

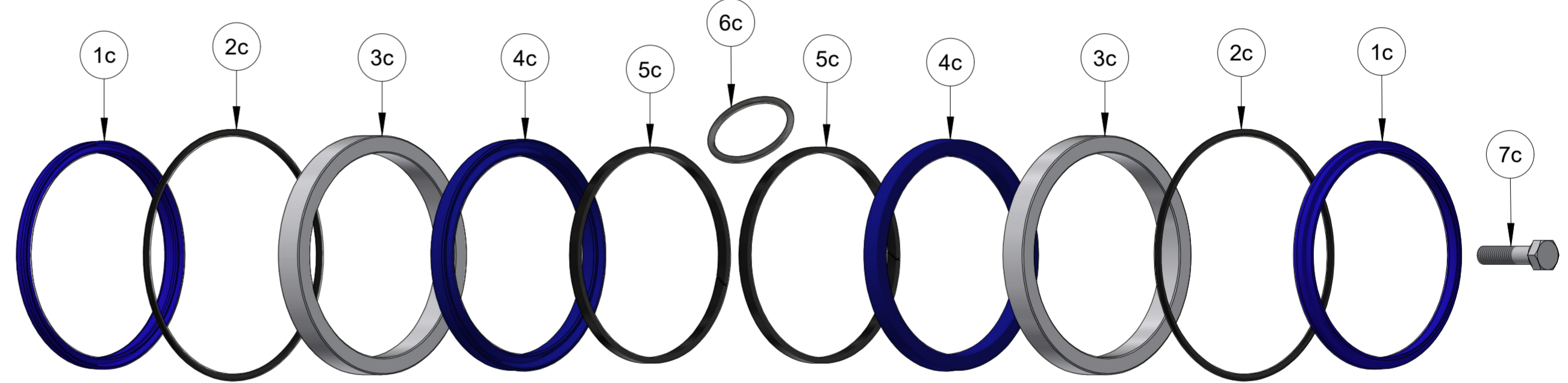
MT9754 0067 80 Flushing Kit 1838 MUX			
ITEM	PART NUMBER	DESCRIPTION	QTY
1a	MT3115 2386 00	CUP SEAL	3
2a	MT0663 2104 94	O-RING	2
3a	MT3115 3236 00	WIPER	2
4a	MT3115 3196 02	GUIDE	2
5a	MT3115 3197 02	GUIDE	2



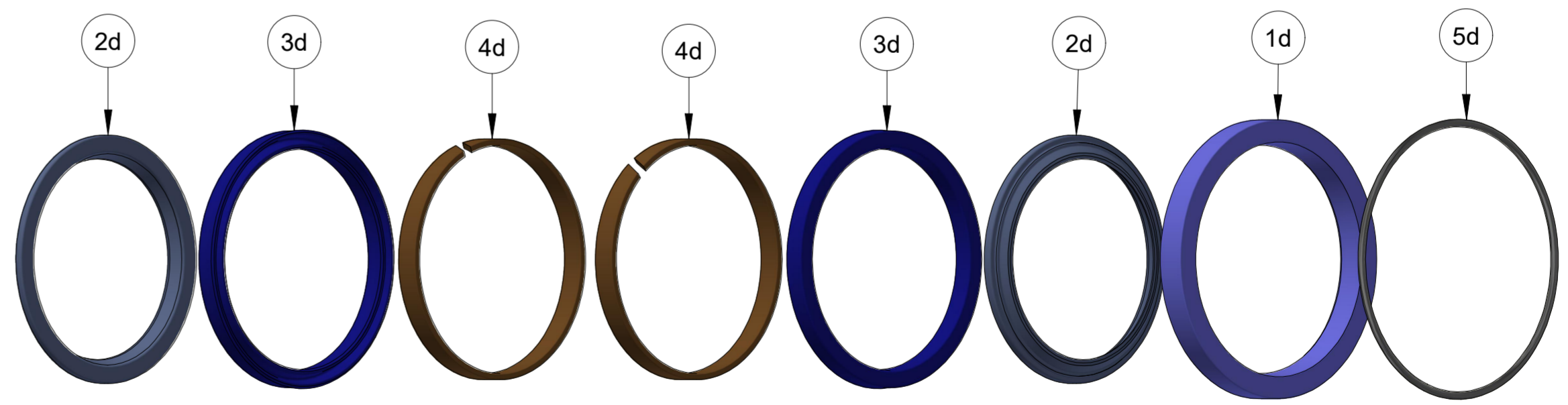
MT3115 2387 SK Flushing Kit 1838 MEX			
ITEM	PART NUMBER	DESCRIPTION	QTY
1b	MT3115 2387 00	CUP SEAL	4
2b	MT0663 6143 01	O-RING	4
3b	MT0663 2126 01	O-RING	1





MT3115 3060 SK Flushing Kit 3060 MUX			
ITEM	PART NUMBER	DESCRIPTION	QTY
1c	MT3115 5756 00	WIPER	2
2c	MT0663 6145 00	O-RING	2
3c	MT3115 5730 00	GUIDE	2
4c	MT3115 3059 00	CUP SEAL	2
5c	MT3115 5731 00	WEAR BAND	2
6c	MT0663 2131 00	O-RING	1
7c	MT0147 1327 03SS	SCREW	12

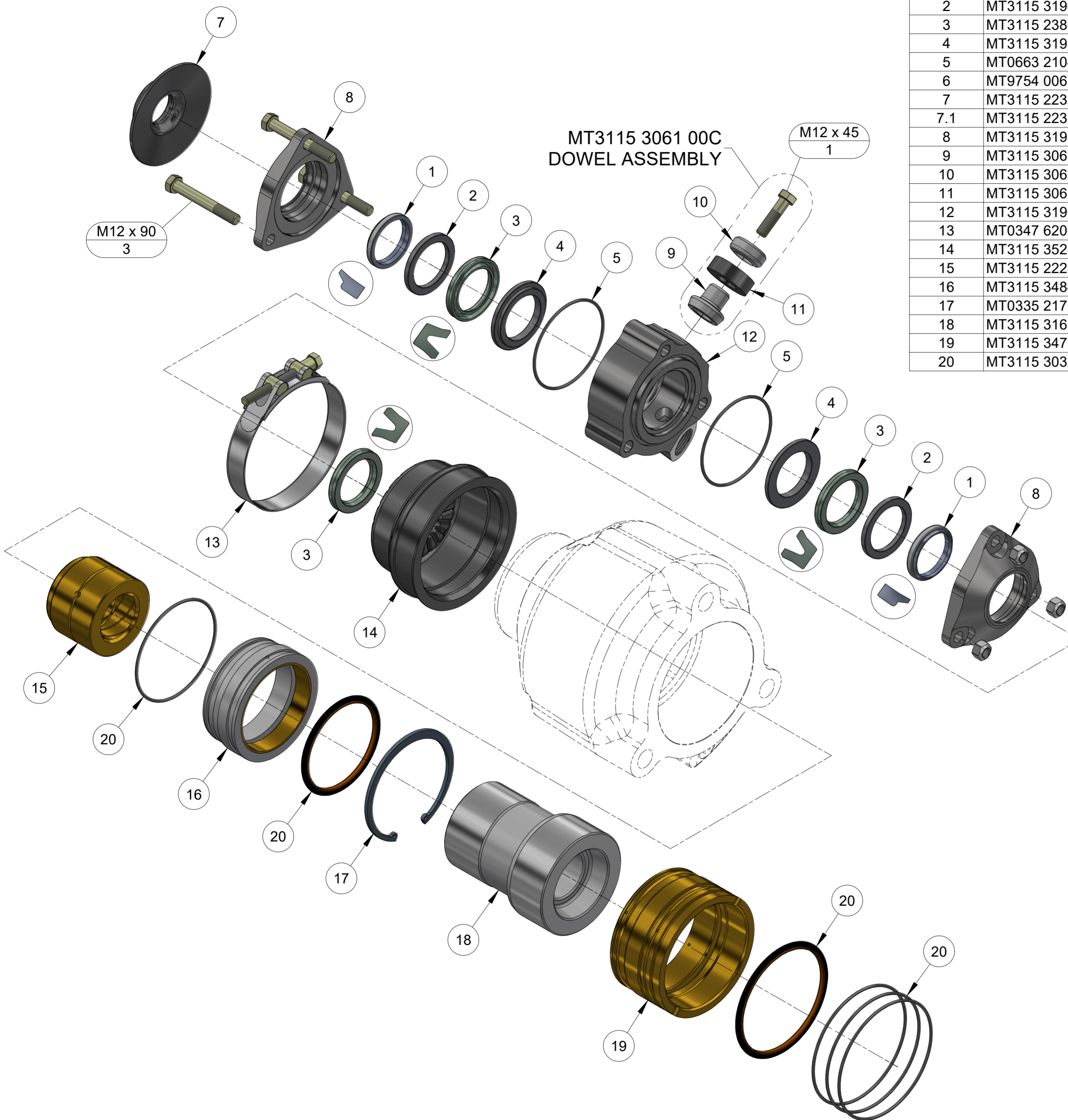


MT3115 3059 SK Flushing Kit 4050 MUX			
ITEM	PART NUMBER	DESCRIPTION	QTY
1d	MT3115 3044 00	CUP SEAL	1
2d	MT3115 3060 00	WIPER	2
3d	MT3115 3059 00	CUP SEAL	2
4d	MT3115 3058 00	GUIDE	2
5d	MT0663 2106 33	O-RING	1



PART NUMBER MT3115 2387 SK	DESCRIPTION FLUSHING KIT 1838 MEX
PART NUMBER MT3115 3060 SK	DESCRIPTION FLUSHING KIT 3060 MUX
PART NUMBER MT3115 3059 SK	DESCRIPTION FLUSHING KIT 4050 MUX

PART NUMBER MT9754 0067 80	DESCRIPTION FLUSHING KIT 1838 MUX
 	MT Parts: 0407 059 610 1 Haehy Circuit, Roseworthy S.A. 5371 171 Dugan Street, Kalgoorlie W.A. 6430 parts@mtunderground.com www.mtunderground.com



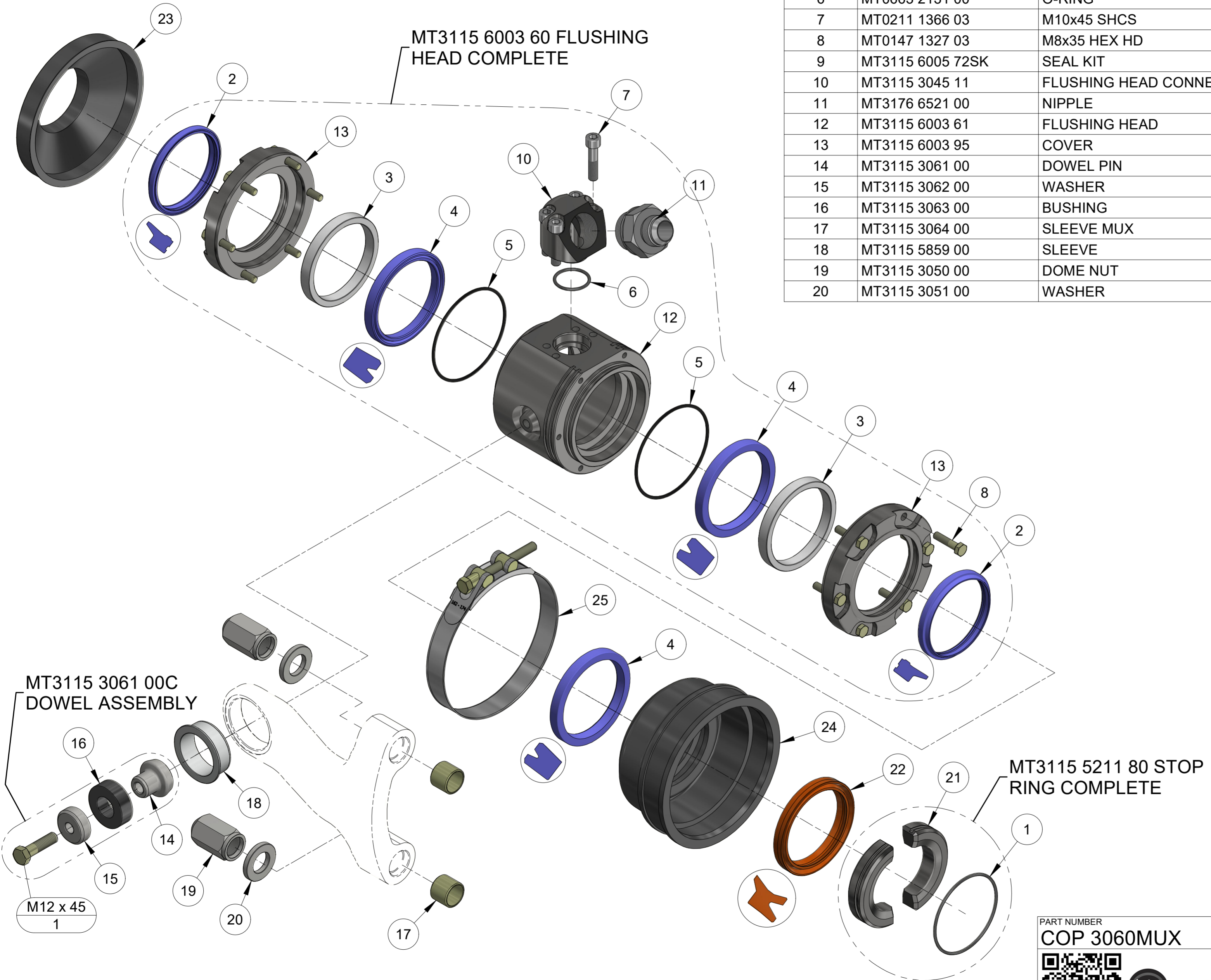
MT3115 3061 00C
DOWEL ASSEMBLY

ITEM	PART NUMBER	DESCRIPTION	QTY	COMMENTS
1	MT3115 3236 00	WIPER	2	
2	MT3115 3196 02	GUIDE	2	
3	MT3115 2386 00	CUP SEAL	3	
4	MT3115 3197 02	GUIDE	2	
5	MT0663 2104 94	O-RING	2	
6	MT9754 0067 80	FLUSHING KIT		Includes items 1 - 5
7	MT3115 2232 00	DRILL COLLAR ST45	1	
7.1	MT3115 2231 00	DRILL COLLAR ST38	1	
8	MT3115 3195 01	COVER	2	
9	MT3115 3061 00	DOWEL PIN	1	
10	MT3115 3062 00	WASHER	1	
11	MT3115 3063 00	BUSHING	1	
12	MT3115 3190 00	FLUSHING HEAD	1	
13	MT0347 6200 21	HOSE CLAMP	1	
14	MT3115 3528 00	SEAL RETAINER	1	
15	MT3115 2223 02	GUIDE	1	
16	MT3115 3484 00	FRONT BUSH	1	
17	MT0335 2177 00	CIRCLIP	1	
18	MT3115 3165 00	PISTON	1	
19	MT3115 3475 00	REAR BUSH	1	
20	MT3115 3032 00SK	EXTRACTOR SEAL KIT	1	

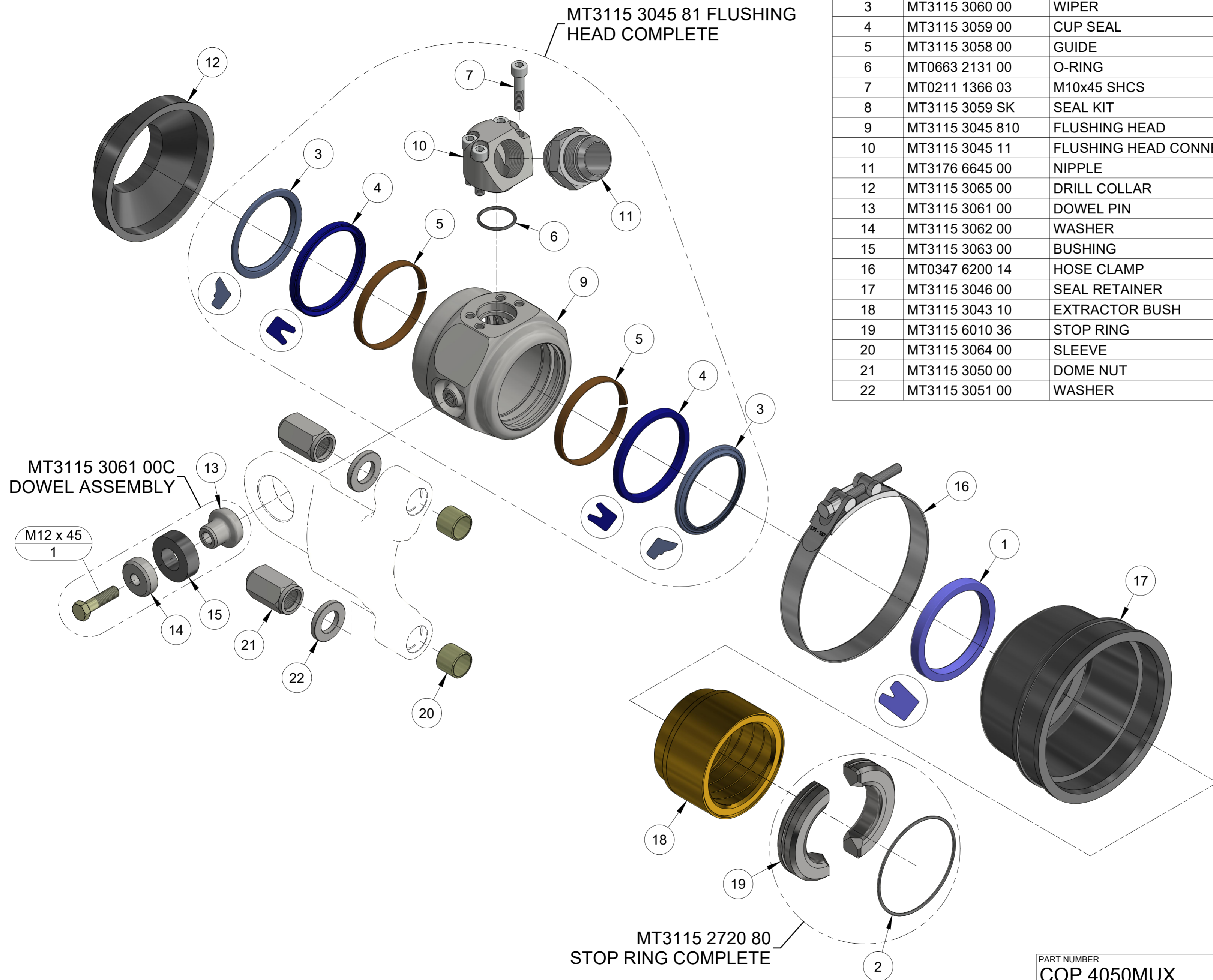
PART NUMBER COP 1838MUX	DESCRIPTION FRONT HEAD PARTS
	
<p>MT Parts: 0407 059 610 1 Haesy Circuit, Roseworthy S.A. 5371 171 Dugan Street, Kalgoorlie W.A. 6430 parts@mtunderground.com www.mtunderground.com</p>	

ITEM	PART NUMBER	DESCRIPTION	QTY	COMMENTS	ITEM	PART NUMBER	DESCRIPTION	QTY	COMMENTS
21	MT3115 5211 00	STOP RING	1		1	MT0663 6142 00	O-RING	1	
22	MT3115 5754 02	WIPER	1		2	MT3115 6005 27	WIPER	2	
23	MT3115 3065 10	DRILL COLLAR	1		3	MT3115 5730 00	GUIDE	2	
24	MT3115 3046 02	SEAL RETAINER	1		4	MT3115 3044 00	CUP SEAL	3	2 for flushing head
25	MT0347 6200 25	HOSE CLAMP	1		5	MT0663 6145 00	O-RING	2	

6	MT0663 2131 00	O-RING	1	
7	MT0211 1366 03	M10x45 SHCS	4	
8	MT0147 1327 03	M8x35 HEX HD	12	
9	MT3115 6005 72SK	SEAL KIT		Includes items 1 - 8
10	MT3115 3045 11	FLUSHING HEAD CONNECTION	1	
11	MT3176 6521 00	NIPPLE	1	
12	MT3115 6003 61	FLUSHING HEAD	1	
13	MT3115 6003 95	COVER	2	
14	MT3115 3061 00	DOWEL PIN	1	
15	MT3115 3062 00	WASHER	1	
16	MT3115 3063 00	BUSHING	1	
17	MT3115 3064 00	SLEEVE MUX	2	
18	MT3115 5859 00	SLEEVE	1	
19	MT3115 3050 00	DOME NUT	2	
20	MT3115 3051 00	WASHER	2	



PART NUMBER	DESCRIPTION
COP 3060MUX	FRONT HEAD PARTS
	
	
MT Parts: 0407 059 610 1 Haehy Circuit, Roseworthy S.A. 5371 171 Dugan Street, Kalgoorlie W.A. 6430 parts@mtunderground.com www.mtunderground.com	

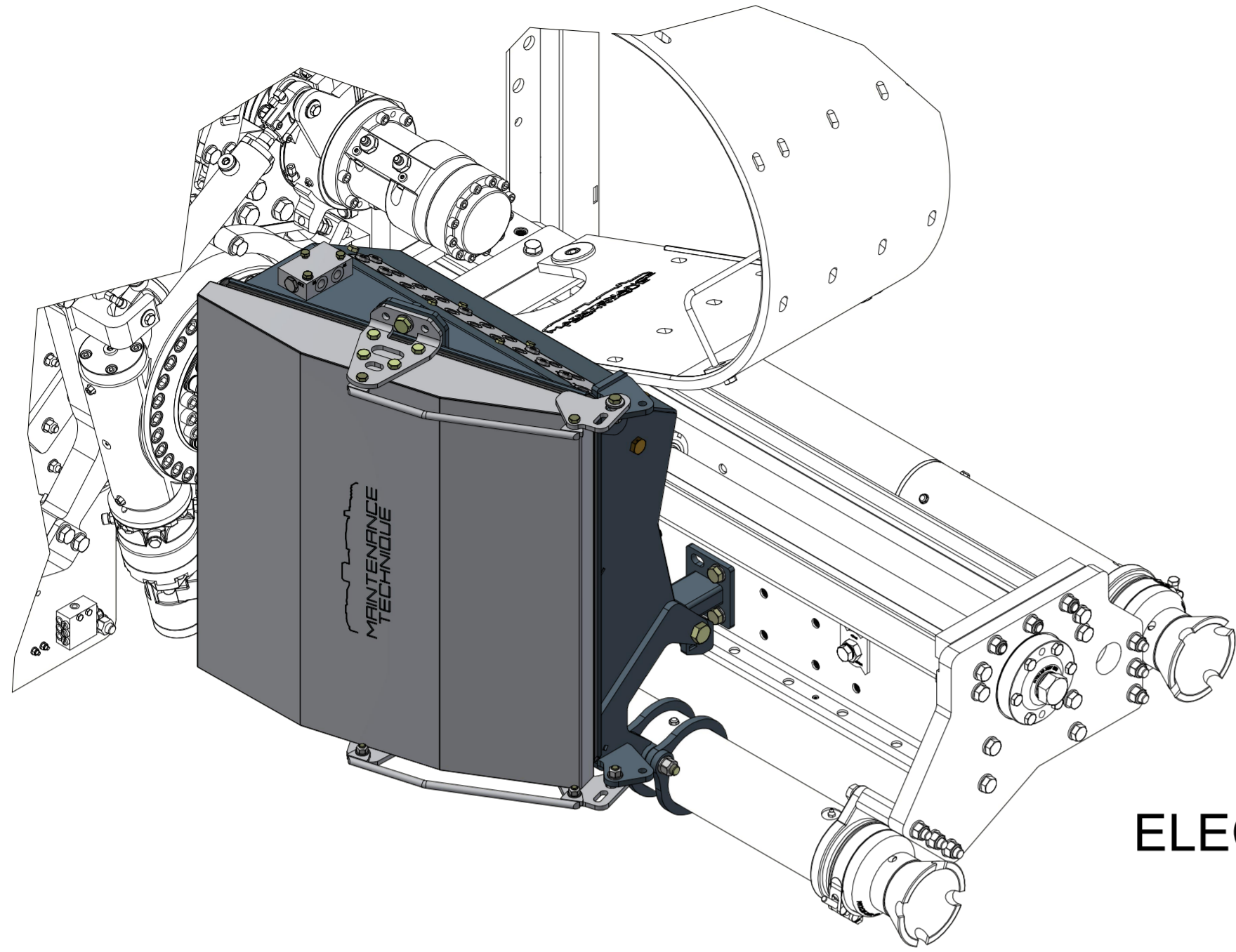


ITEM	PART NUMBER	DESCRIPTION	QTY	COMMENTS
1	MT3115 3044 00	CUP SEAL	1	
2	MT0663 2106 33	O-RING	1	
3	MT3115 3060 00	WIPER	2	
4	MT3115 3059 00	CUP SEAL	2	
5	MT3115 3058 00	GUIDE	2	
6	MT0663 2131 00	O-RING	1	
7	MT0211 1366 03	M10x45 SHCS	4	
8	MT3115 3059 SK	SEAL KIT		Includes items 1 - 7
9	MT3115 3045 810	FLUSHING HEAD	1	
10	MT3115 3045 11	FLUSHING HEAD CONNECTION	1	
11	MT3176 6645 00	NIPPLE	1	
12	MT3115 3065 00	DRILL COLLAR	1	
13	MT3115 3061 00	DOWEL PIN	1	
14	MT3115 3062 00	WASHER	1	
15	MT3115 3063 00	BUSHING	1	
16	MT0347 6200 14	HOSE CLAMP	1	
17	MT3115 3046 00	SEAL RETAINER	1	
18	MT3115 3043 10	EXTRACTOR BUSH	1	
19	MT3115 6010 36	STOP RING	1	
20	MT3115 3064 00	SLEEVE	2	
21	MT3115 3050 00	DOME NUT	2	
22	MT3115 3051 00	WASHER	2	

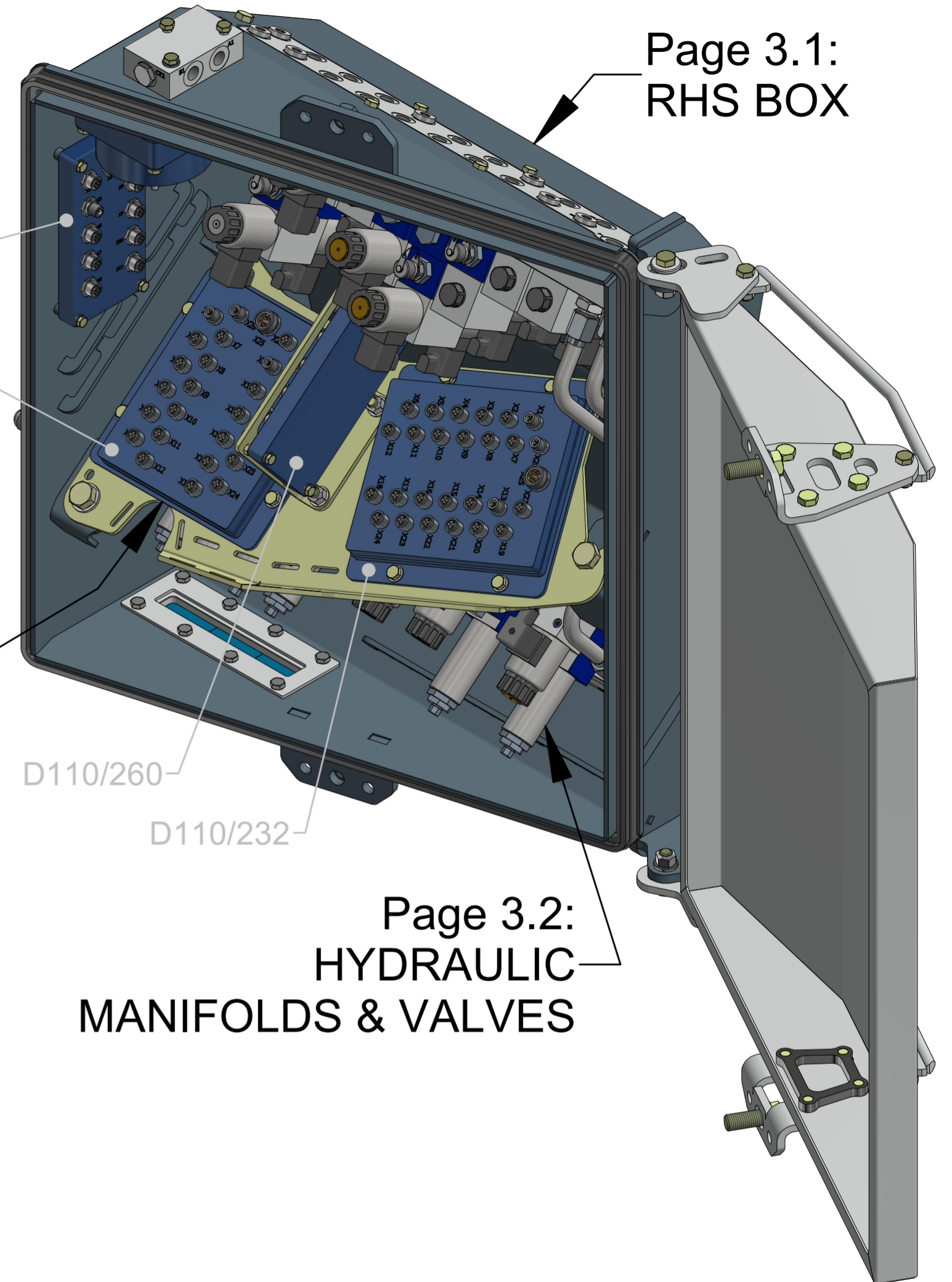
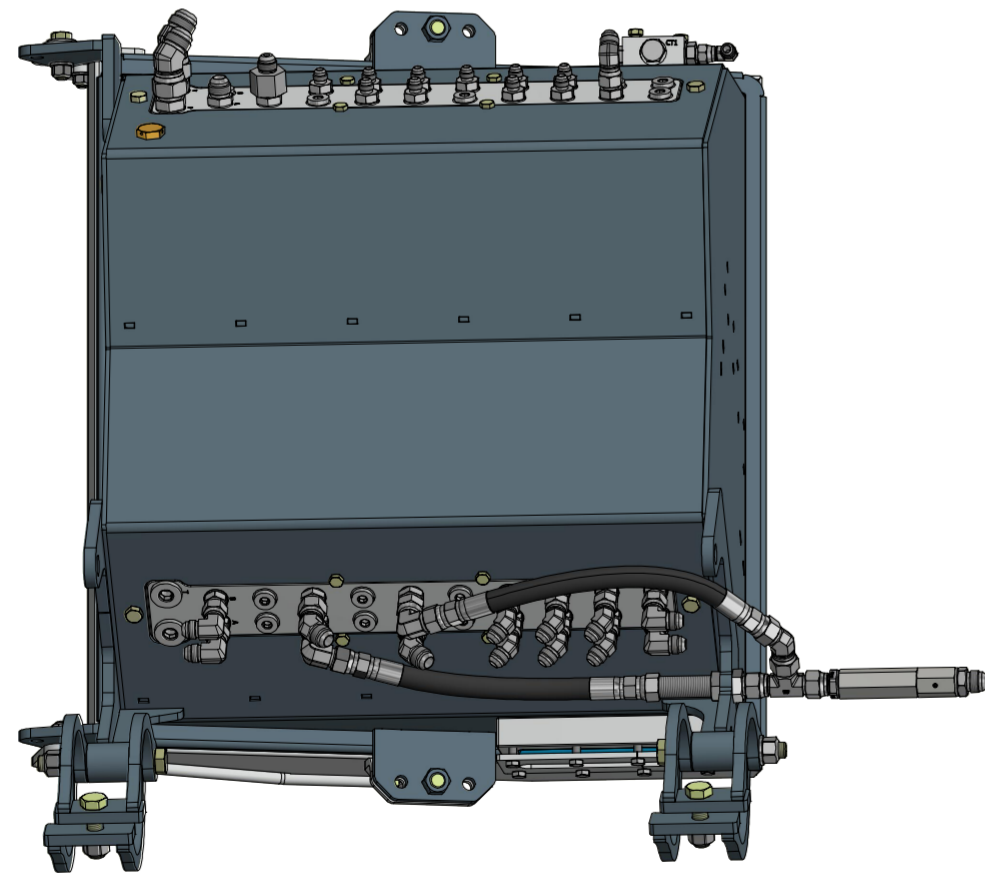
MT3115 2720 80
STOP RING COMPLETE

PART NUMBER COP 4050MUX	DESCRIPTION FRONT HEAD PARTS
 	
MT Parts: 0407 059 610 1 Haesy Circuit, Roseworthy S.A. 5371 171 Dugan Street, Kalgoorlie W.A. 6430 parts@mtunderground.com www.mtunderground.com	

SECTION 3: ROD HANDLER SYSTEM



Page 3.3:
ELECTRICAL COMPONENTS
& CABLES



Page 3.1:
RHS BOX

D110/261

D110/233

D110/260

D110/232

Page 3.2:
HYDRAULIC
MANIFOLDS & VALVES

PART NUMBER

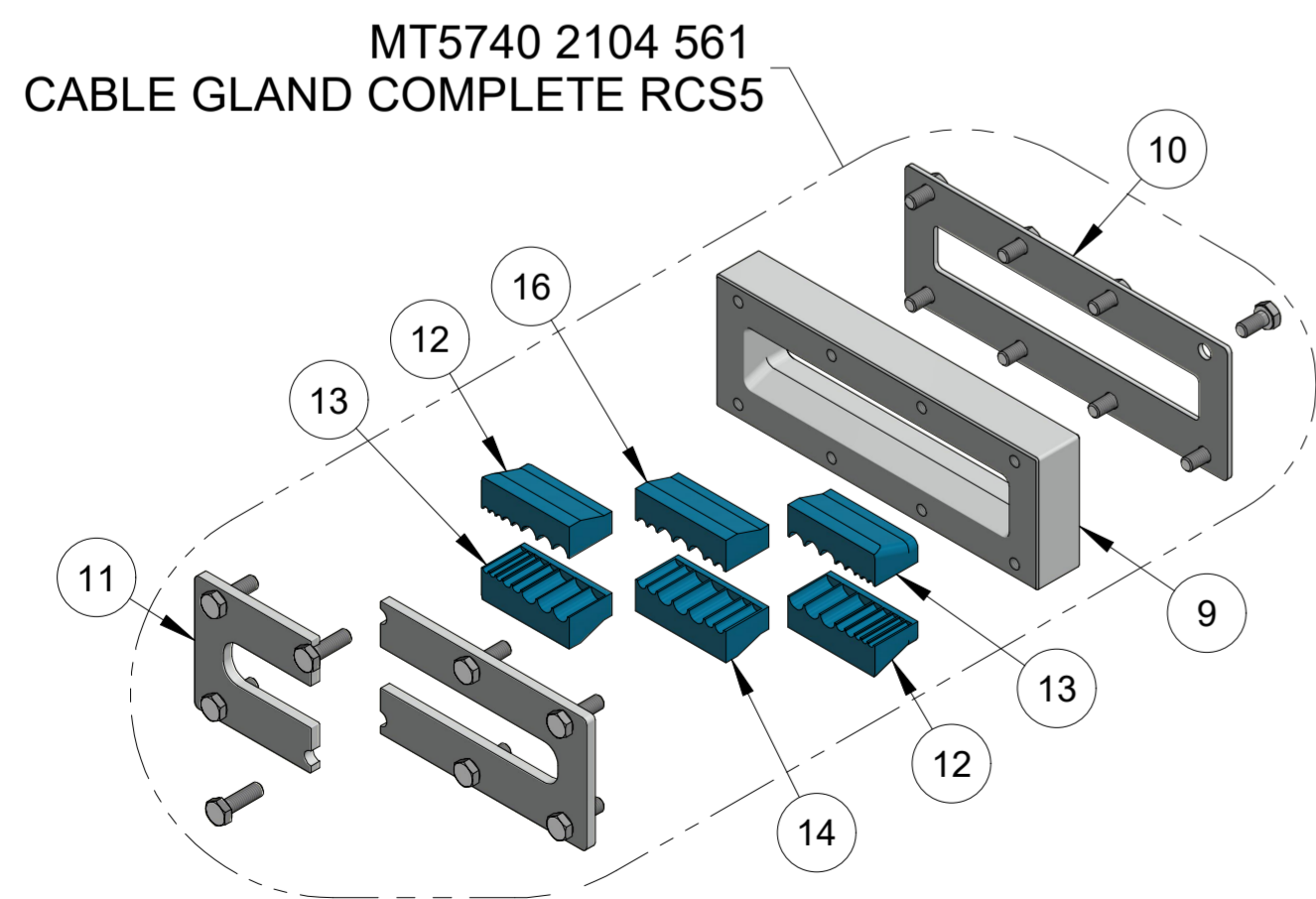
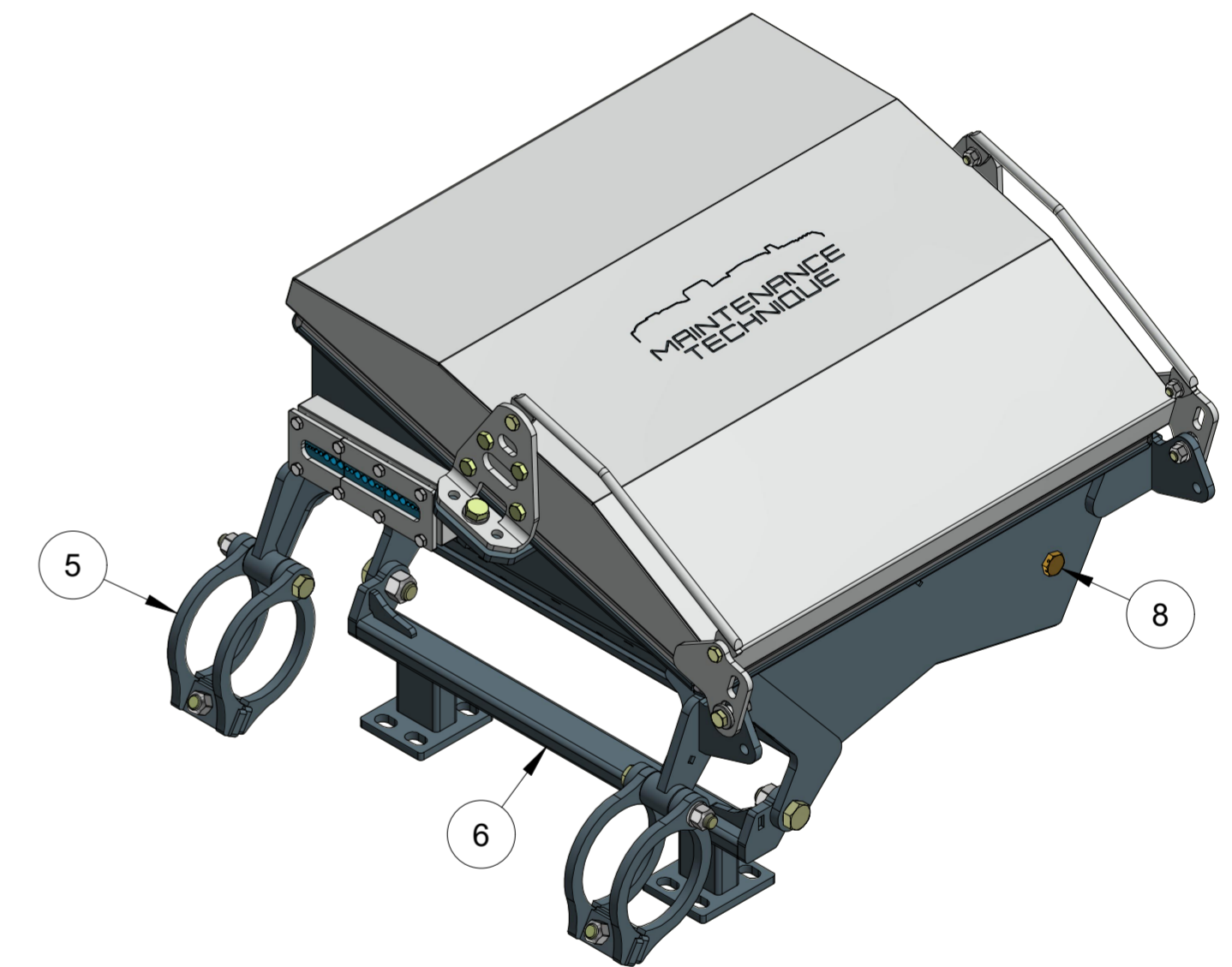
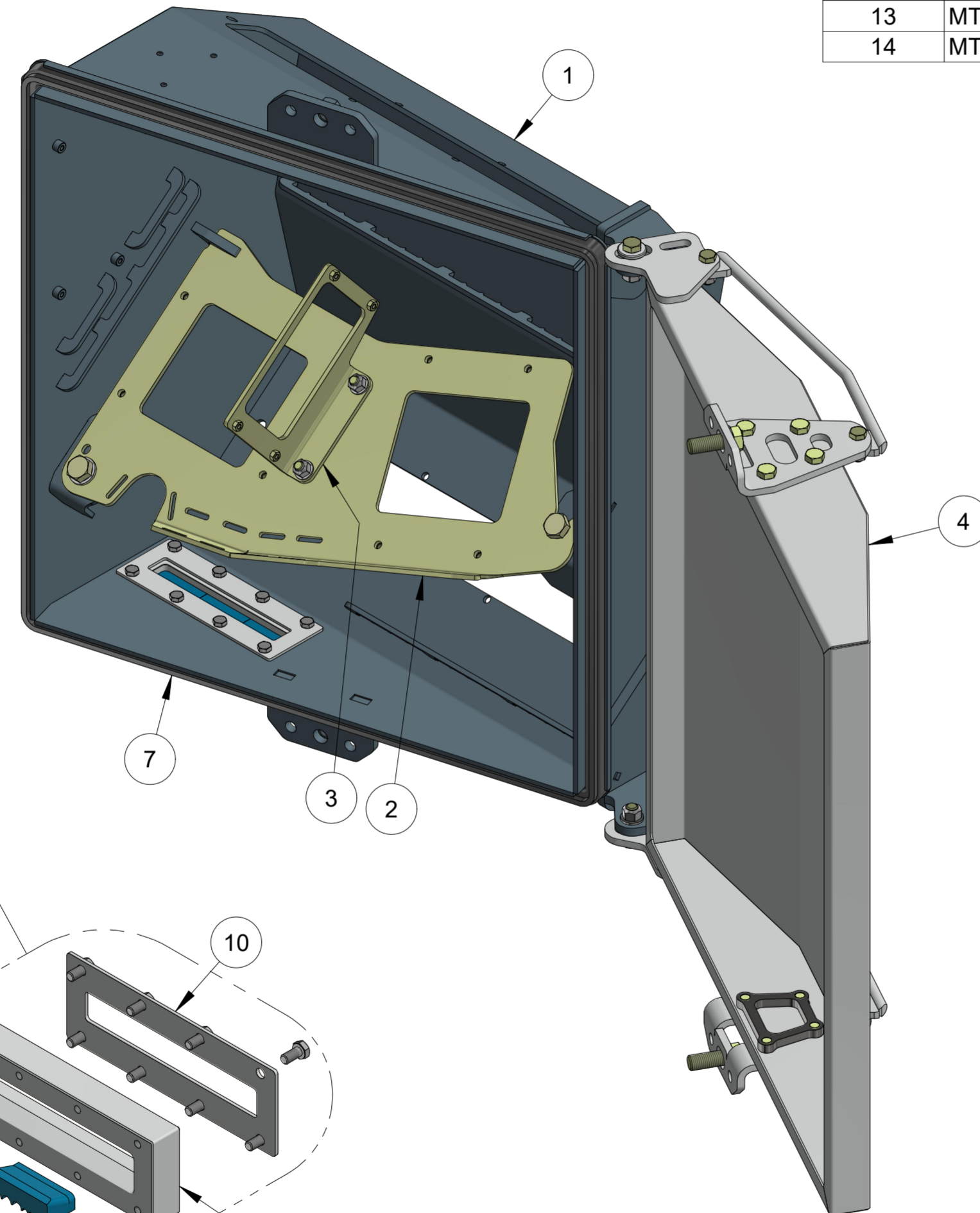
DESCRIPTION

ROD HANDLER SYSTEM RCS5

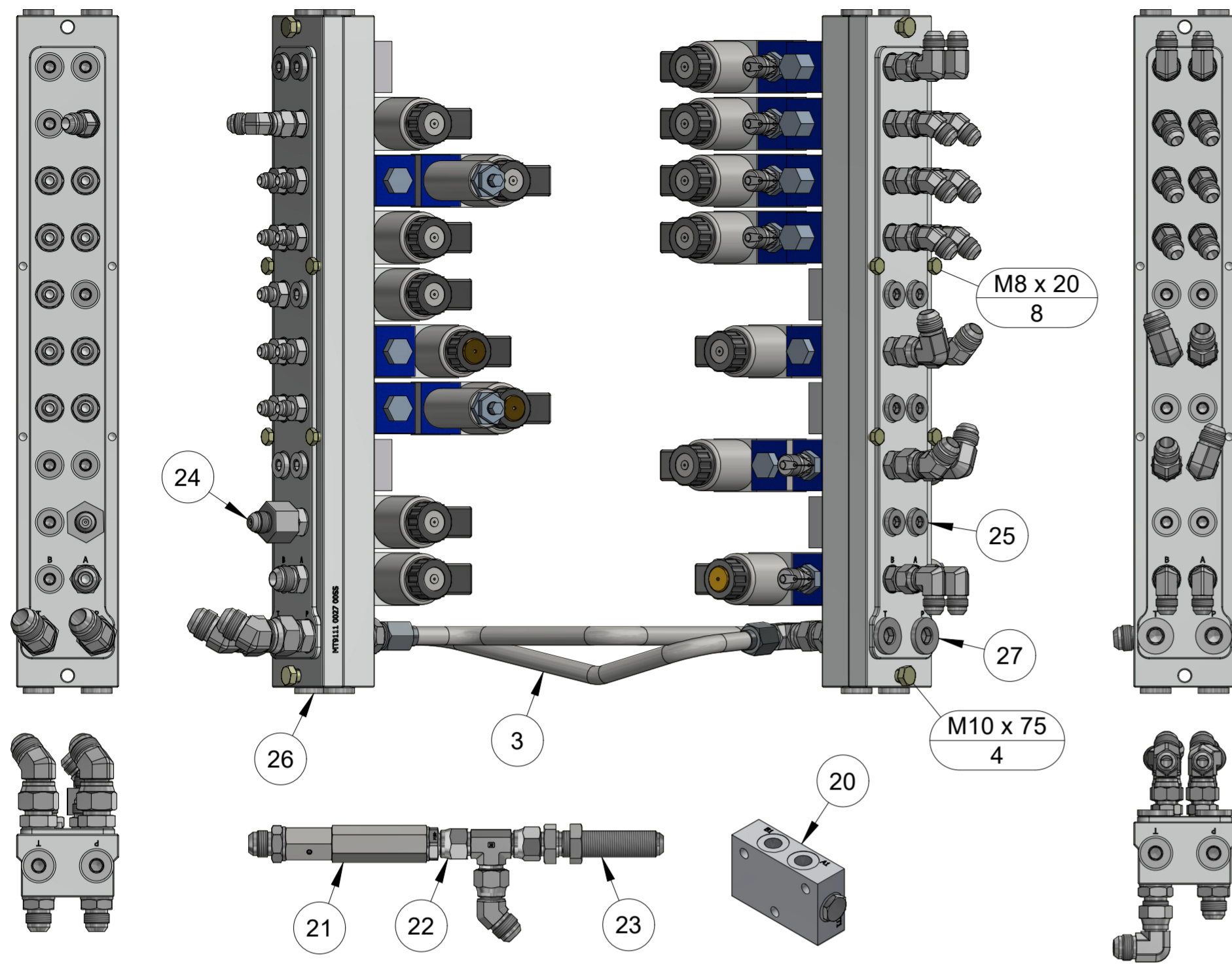


MT Parts: 0407 059 610
1 Haesy Circuit, Roseworthy S.A. 5371
171 Dugan Street, Kalgoorlie W.A. 6430
parts@mtunderground.com
www.mtunderground.com

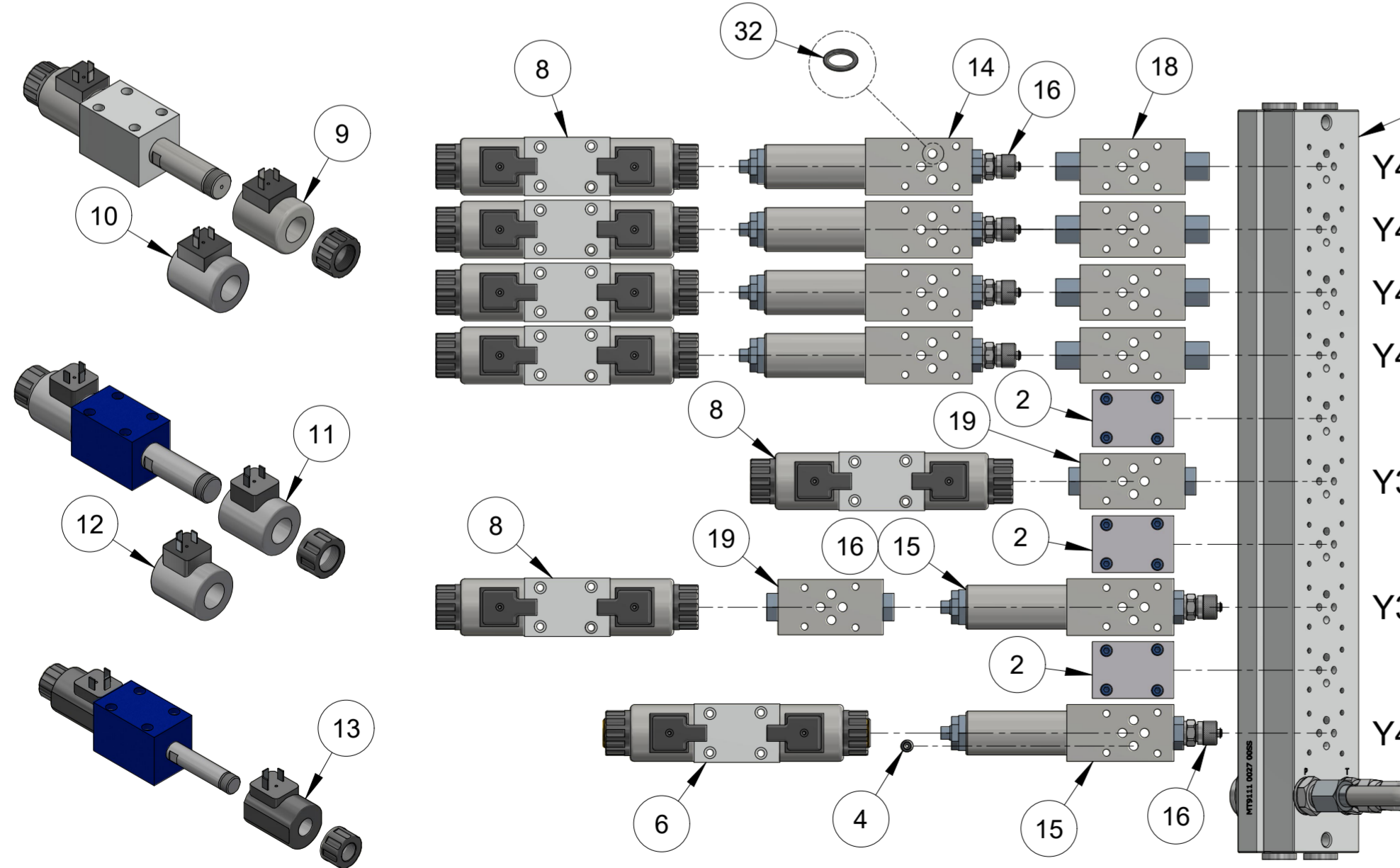
ITEM	PART NUMBER	DESCRIPTION	QTY	COMMENTS
1	MT9111 0010 071	BASE	1	
2	MT9111 0010 072	MODULE FRAME	1	
3	MT9111 0010 073	RESOLVER MODULE MOUNT RCS5	1	
4	MT9111 0010 101	HOOD	1	
5	MT9111 0009 291	FRONT MOUNT BRACKET	4	
6	MT9111 0009 321	REAR MOUNT BRACKET	1	
7	MT5112 0080 341	SEALING RUBBER	1	
8	MT9106 1856 01P	BREATHER PLUG	2	
9	MT5740 2104 562	CABLE GLAND BASE RCS5	1	
10	MT5740 2104 563	CABLE GLAND REAR PLATE	1	
11	MT5740 2104 564	CABLE GLAND CLAMP PLATE SET	1	
12	MT5112 3078 RB1	CABLE GLAND RUBBER BLOCK	2	
13	MT5112 3078 RB2	CABLE GLAND RUBBER BLOCK - OH	2	
14	MT5112 3078 RB5	CABLE GLAND RUBBER BLOCK	2	



PART NUMBER	MT9111 0009 941	DESCRIPTION	ROD HANDLER SYSTEM BOX RCS5
			
		MT Parts: 0407 059 610 1 Haesy Circuit, Roseworthy S.A. 5371 171 Dugan Street, Kalgoorlie W.A. 6430 parts@mtunderground.com www.mtunderground.com	
			PAGE 3.1

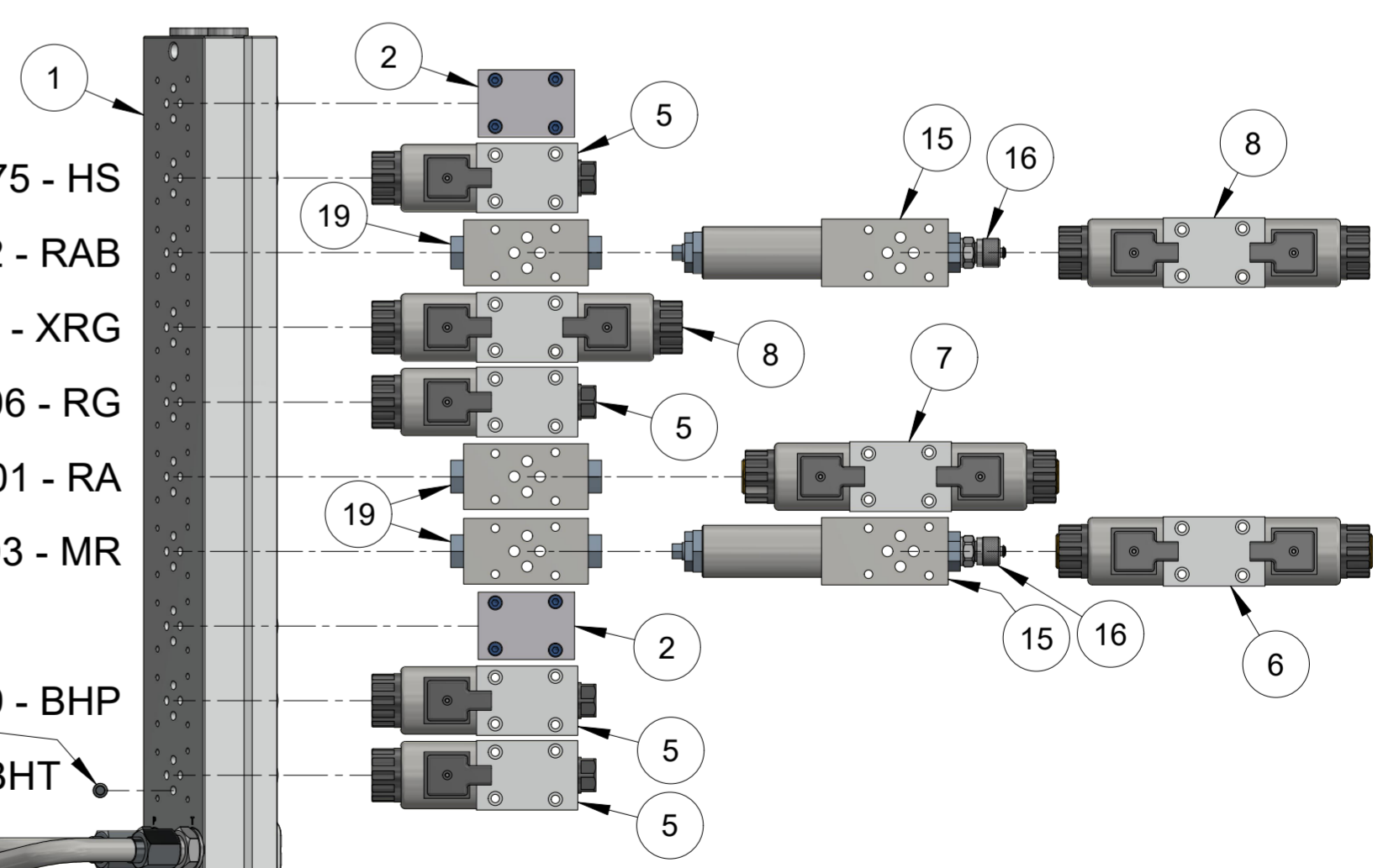


ITEM	PART NUMBER	DESCRIPTION	QTY	COMMENTS
1	MT9111 0027 00SS	VALVE BLOCK	2	Stainless Steel
2	MT3177 3092 BP	BLANKING PLATE	5	Includes o-rings & M5x20 SHCS
3	MT0574 2253 110	RHS BOX PIPE SET RCS5	1	
4	MT3125 5350 00	RESTRICTOR (2.4MM)	1	P-port
5	MT3177 3092 88	VALVE - 2 POSITION	4	Rod handler 18Ω coil
6	MT3177 3092 60	VALVE - 3 POSITION	2	Proportional 3 pos DCV 5Ω coil
7	MT3177 3092 71	VALVE - 3 POSITION	1	Proportional low flow 3 pos DCV 5Ω coil
8	MT3177 3092 83	VALVE - 3 POSITION	8	Non proportional movements 18Ω
9	MT3177 3092 12WF	PROPORTIONAL COIL 5Ω	0	23mm shaft Wandfluh DCV only
10	MT3177 3092 24WF	DIRECT COIL 18Ω	0	23mm shaft Wandfluh or Rexroth DCV
11	MT3177 3092 52	DIRECT COIL 18Ω	0	23mm shaft Rexroth DCV only
12	MT3177 3092 64	PROPORTIONAL COIL 5Ω	0	23mm shaft Rexroth DCV only
13	MT3177 3092 55	DIRECT COIL 18Ω	0	16mm shaft Rexroth DCV only
14	MT3217 9341 60	REDUCER VALVE	4	A-port
15	MT3214 8712 80	REDUCER VALVE	4	P-port
16	MT3177 3016 00	COUPLING	8	Stauff test point, test 12 to 1/4BSPP
17	MT3217 2682 00	PLUG	1	P-port
18	MT3217 9075 00	CHECK VALVE	4	Stinger
19	MT3222 3268 96	CHECK VALVE	5	
20	MT9106 0630 10	DOUBLE CHECK VALVE	1	
21	MT3125 2794 03	PRESSURE RELIEF VALVE	1	BSH guide check/relief
22	MTAABP-08-14	ADAPTOR SWIVEL	1	1/2" BSPP M x 7/8" JIC F
23	MT3128 0120 78	EXTENDED BULKHEAD	1	7/8" JIC x 120mm
24	MT3214 7494 03	REDUCTION NIPPLE	1	Extractor restrictor A-port
25	MT3117 38BS PP	3/8" BSPP ALLEN PLUG	14	
26	MT3117 12BS PP	1/2" BSPP ALLEN PLUG	8	
27	MT3117 34BS PP	3/4" BSPP ALLEN PLUG	2	
28	MT0211 1219 87	M5x20 SHCS	20	Blanking Plate
29	MT0211 1215 03	M5x50 SHCS	20	Single stack
30	MT4090 0630 00	M5x90 SHCS	12	Twin stack
31	MT0211 1965 58	M5x130 SHCS	28	Triple stack
32	MT5507 8719 00	O-RING	148	DCV o-ring
33	MT9111 0027 06	FITTINGS KIT	1	Includes BSP plugs & JIC adaptors



- Y406:1 - SFR
- Y407:1 - SRR
- Y406:2 - SFL
- Y407:2 - SRL
- Y353 - DS
- Y354 - DS
- Y405 - FE

- Y175 - HS
- Y302 - RAB
- Y300 - XRG
- Y306 - RG
- Y301 - RA
- Y303 - MR
- Y159 - BHP
- Y158 - BHT



PART NUMBER DESCRIPTION
HYDRAULICS RCS5

MT Parts: 0407 059 610
 1 Haehy Circuit, Roseworthy S.A. 5371
 171 Dugan Street, Kalgoorlie W.A. 6430
parts@mtunderground.com
www.mtunderground.com

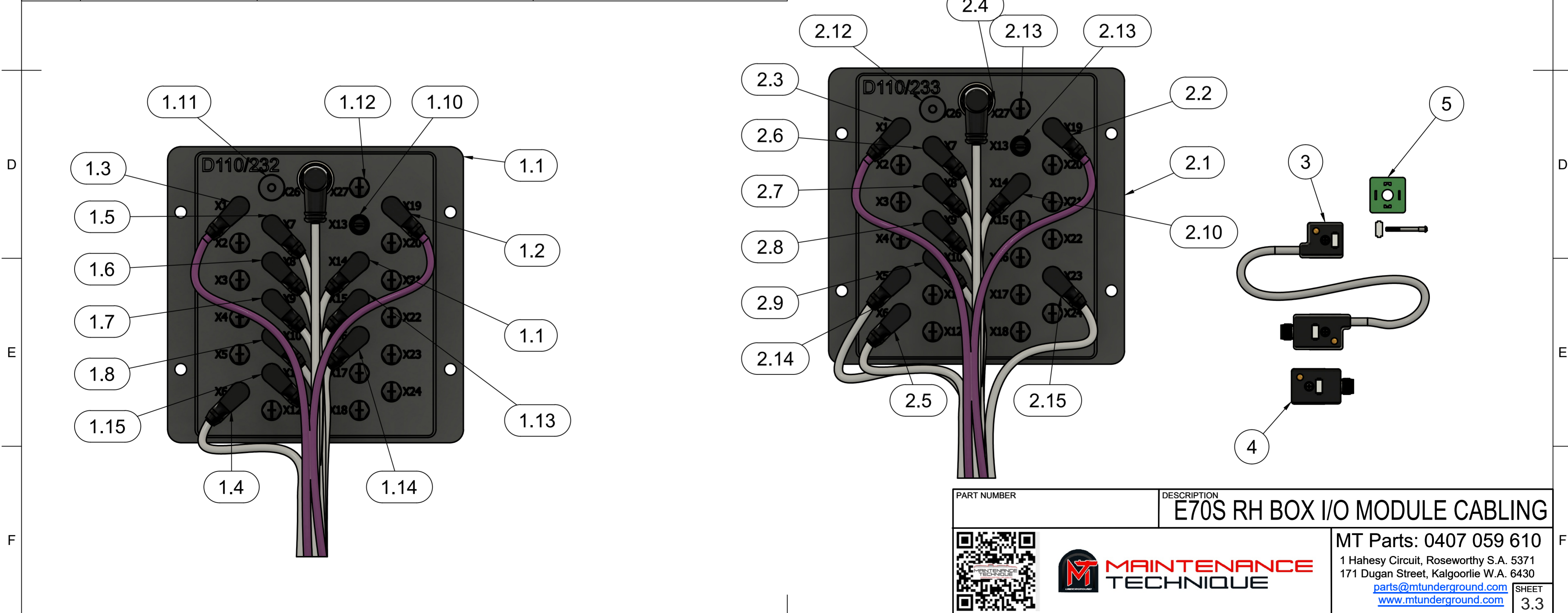
MAINTENANCE TECHNIQUE



QR CODE

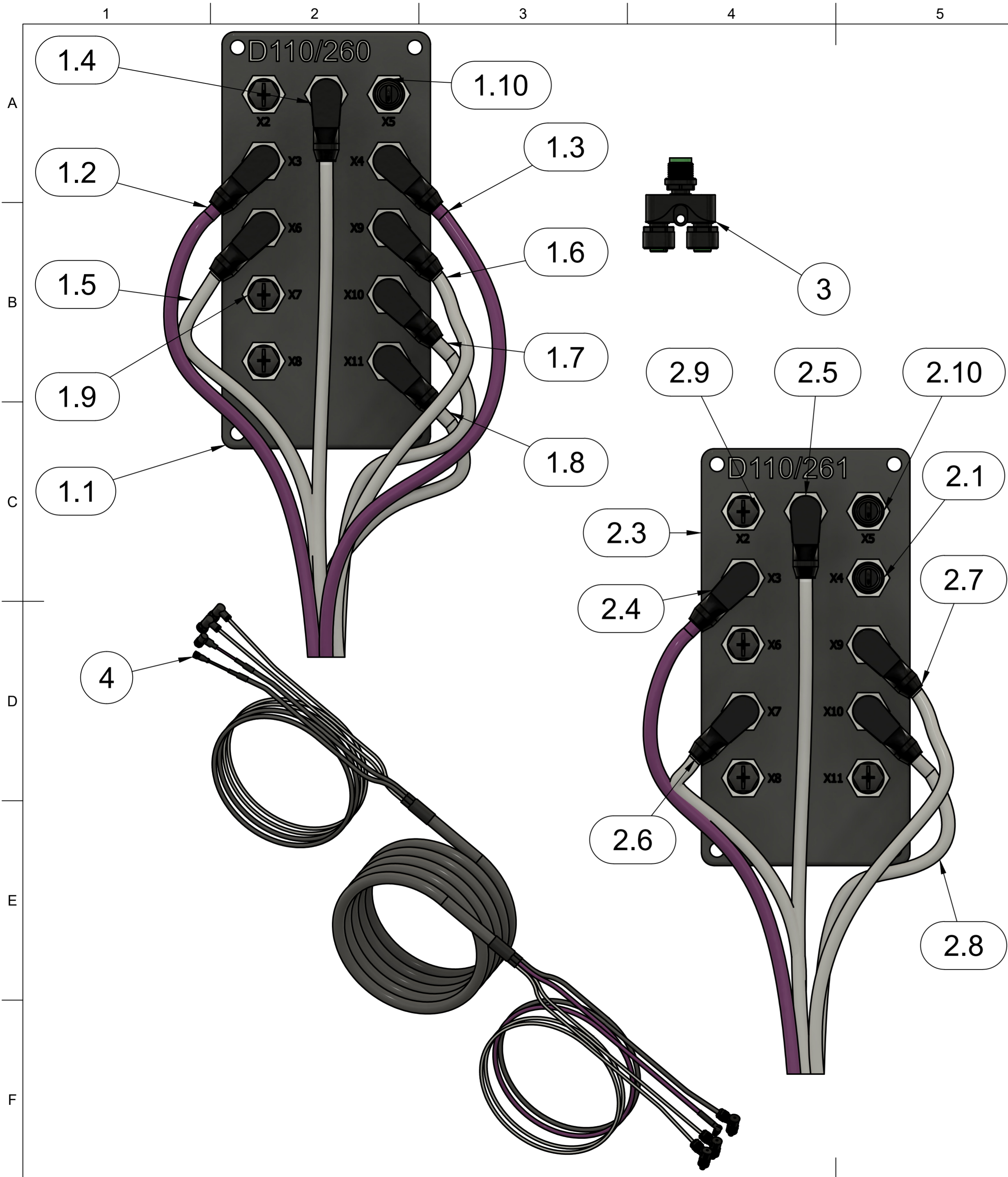
PAGE **3.2**

Parts List			
Item	Part Number	Part Name	Description
1	E70S D110/232 I/O MODULE	E70S D110/232 I/O MODULE v46	----
1.1	MT9106 9766 11SX	I/O-MODULE (RCS5) v2	(SX and Rotable Options)
1.2	MT1317 1327 006	CAN OPEN CABLE	CAN D110/232 X19 - 233 X1
1.3	MT9106 2483 70	MAIN CAN CABLE (1)	----
1.4	MT1217 1241 012	SIGNAL CABLE 1200mm	Y300a/b Gripper Jaw Open/Close
1.5	MT1217 1241 015	1500mm SIGNAL CABLE	Y353a/b BSH Open/Guide
1.6	MT1217 1241 015	1500mm SIGNAL CABLE (1)	Y354a/b BSH Close/Open
1.7	MT1217 1241 015	1500mm SIGNAL CABLE (2)	Y301a/b Gripper Arms DC-CA
1.8	MT1217 1241 010	1000mm SIGNAL CABLE	Y302a/b Gripper Arms DC-PA
1.9	MT1217 1231 015	SIGNAL CABLE 1500mm	Y305 Carousel Brake
1.10	MT3176 9990 02	ADDRESS PLUG	(#2) Module Address
1.11	MT**** **	M12 BLANKING SOCKET	----
1.12	MT1680 5390 00	M12 I/O MODULE BLANKING PLUG	----
1.13	MT1217 1231 015	SIGNAL CABLE 1500mm (1)	Y305 Carousel Brake
1.14	MT1217 1241 015	SIGNAL CABLE 1500mm (2)	Y159/Y158 Extractor inlet/outlet
1.15	MT1217 1231 010	SIGNAL CABLE 1000mm	Y175 Hammer Stroke



Parts List			
Item	Part Number	Part Name	Description
2.1	MT9106 9766 11SX	I/O MODULE (RCS5) v2	----
2.2	MT1317 1327 006	CAN OPEN CABLE 600mm	CAN D110/233 X19 - 260 X2
2.3	MT1317 1327 006	CAN OPEN 600mm	CAN OPEN D110/233- 232
2.4	MT9106 2483 70	MAIN CAN CABLE	----
2.5	MT1217 1231 006	SIGNAL CABLE 600mm	Y306 Gripper Jaw Guide
2.6	MT1217 1251 004	Y - PIECE (1)	----
2.7	MT1217 1241 010	1000mm SIGNAL CABLE (1)	Y406:1a/b Stinger Front Left
2.8	MT1217 1241 010	1500mm SIGNAL CABLE (2)	Y406:2a/b Stinger Front Right
2.9	MT1217 1241 010	1000mm SIGNAL CABLE	Y407:1a/b Stinger Rear Left
2.10	MT1217 1241 010	SIGNAL CABLE 1000mm (1)	Y407:2 Stinger Rear Right
2.11	MT3176 9990 03	ADDRESS PLUG	(#3) Module Address
2.12	MT**** **	M12 BLANKING SOCKET	----
2.13	MT1680 5390 00	M12 I/O MODULE BLANKING PLUG	----
2.14	MT1217 1251 004	Y - PIECE	----
2.15	MT1217 1251 004	Y PIECE	----
3	MT9106 1458 156	DOUBLE DIN PLUG v1	M12 DUAL DIN CONNECTION
4	MT9106 1458 538	SINGLE DIN v2	M12 A CODED DIN PLUG
5	MT9106 1458 5DA	DIN ACCESSORY KIT v4	RESEALING SET



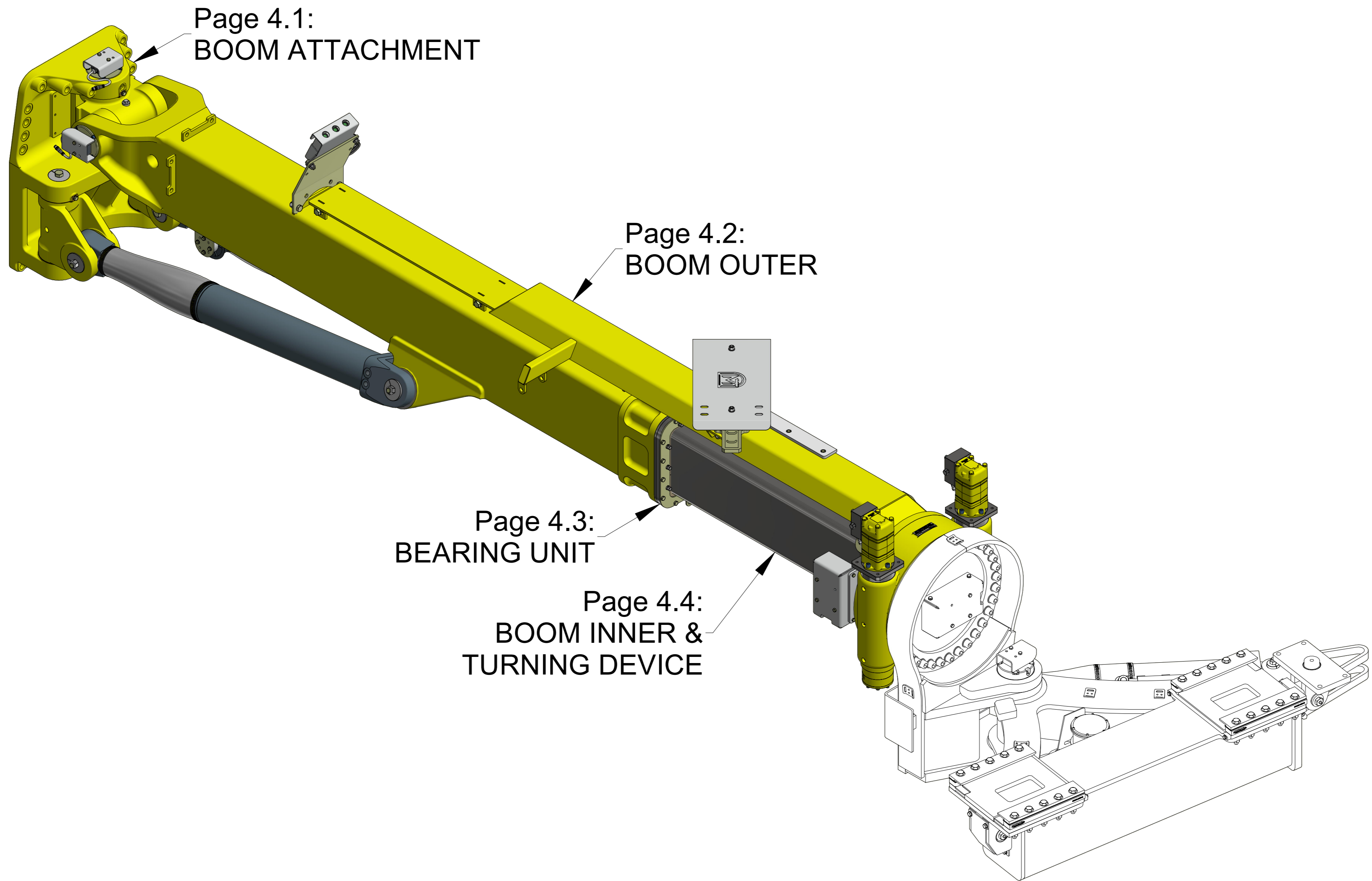
PART NUMBER	DESCRIPTION
	E70S RH BOX I/O MODULE CABLING
 	
MT Parts: 0407 059 610 1 Haehy Circuit, Roseworthy S.A. 5371 171 Dugan Street, Kalgoorlie W.A. 6430 parts@mtunderground.com www.mtunderground.com	
SHEET 3.3	




Parts List			
Item	Qty	Part Number	Description
1	1	E70S_RESOLVER MODULE D110/260	----
1.1	1	9106 9723 60	RESOLVER MODULE (RCS5)
1.2	1	MT1317 1327 006	D110/260 X3 - 233 X19
1.3	1	MT1317 1327 006	D110/260 X4 - D261 X3
1.4	1	MT1211 1227 003	Power Supply
1.5	1	MT1217 1221 025	B307 Cradle Length
1.6	1	MT1218 1228 065	B213 Feed Rotation Inclinometer
1.7	1	MT1218 1228 065	B303 Feed Tilt Resolver
1.8	1	MT1218 1228 040	B243 Gripper Arm Position
1.9	3	MT1680 5390 00	---
1.10	1	MT3176 9990 00	(#0) ADDRESS
2	1	E70S_RESOLVER MODULE D110/261	----
2.1	1	MT1212 0000 ME	END PLUG (MALE)
2.3	1	9106 9723 60	RESOLVER MODULE (RCS5)
2.4	1	MT1317 1327 006	D110/260 X3 - 261 X1
2.5	1	MT1211 1227 003	Power Supply
2.6	1	MT1217 1221 025	B305 Feed Extension
2.7	1	MT1218 1228 065	B211 Feed Tilt Inclinometer
2.8	1	MT1218 1228 040	B200:2 Carousel Position
2.9	5	MT1680 5390 00	-
2.10	1	MT3176 9990 01	(#1) ADDRESS
3	1	MT3176 4644 38	POWER SPLITTER
4	1	MT9106 2483 70	RCS5 MAIN CAN CABLE

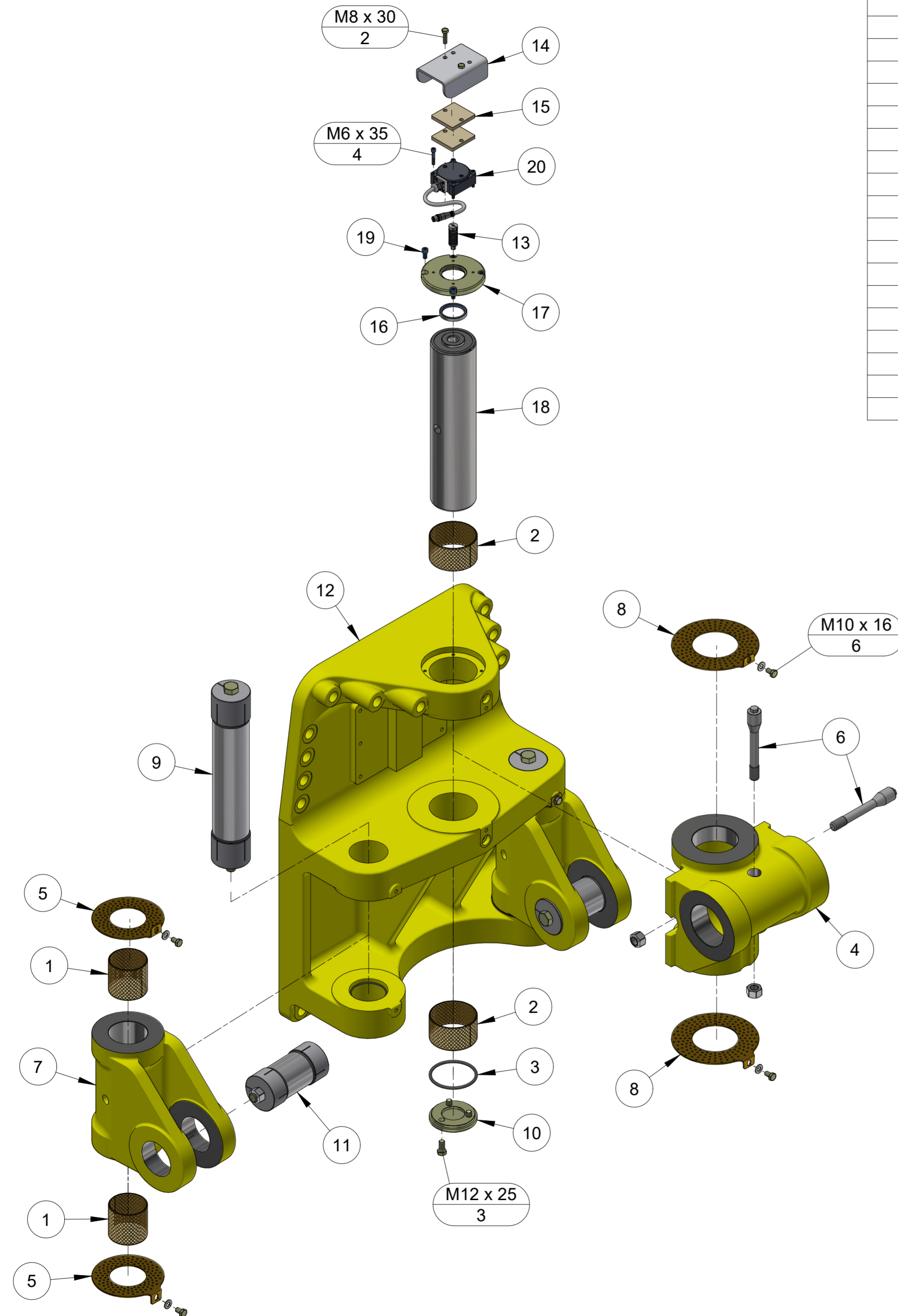
PART NUMBER	DESCRIPTION
	E70S RH BOX RESOLVER MODULE CABLING
	
MT Parts: 0407 059 610 1 Haesy Circuit, Roseworthy S.A. 5371 171 Dugan Street, Kalgoorlie W.A. 6430 parts@mtunderground.com www.mtunderground.com	
SHEET 3.4	

SECTION 4: BOOM



PART NUMBER	DESCRIPTION
MT3128 3235 00C	BOOM COMPLETE E70S
	MT Parts: 0407 059 610 1 Hahey Circuit, Roseworthy S.A. 5371 171 Dugan Street, Kalgoorlie W.A. 6430 parts@mtunderground.com www.mtunderground.com

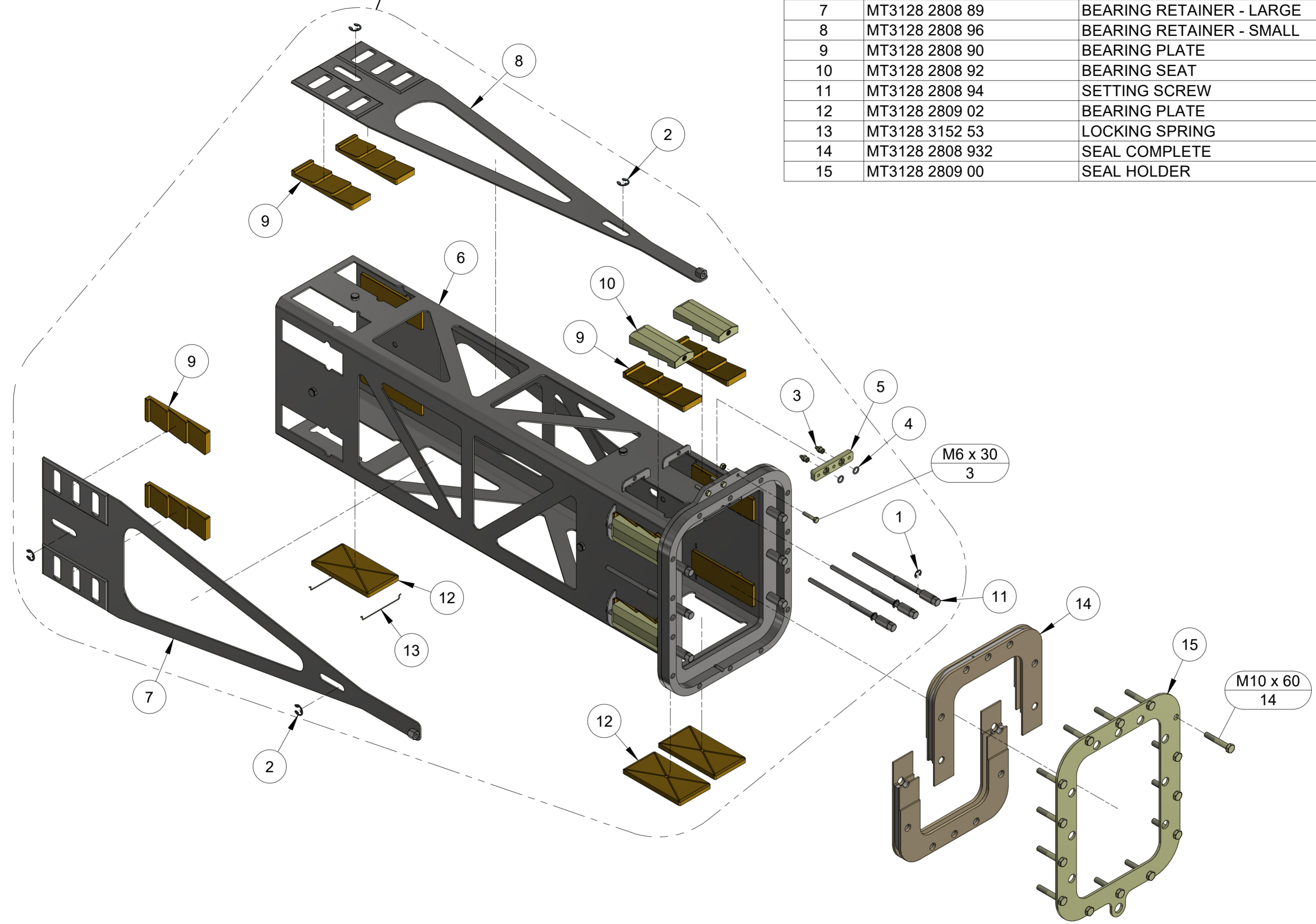






ITEM	PART NUMBER	DESCRIPTION	QTY	COMMENTS
1	MT0500 4500 17	PLAIN BEARING	4	
2	MT0500 4501 32	PLAIN BEARING	2	
3	MT0663 2146 00	O-RING	1	
4	MT3128 2808 10S	BOOM LINK BUT45	1	Service ex.
5	MT3128 2808 15	THRUST WASHER	4	
6	MT3128 2808 17	BOLT	2	
7	MT3128 2808 20S	LINK BUT45	2	Service ex.
8	MT3128 2808 22	THRUST WASHER	2	
9	MT3128 2808 25	EXPANDING SHAFT	2	
10	MT3128 2808 26	WASHER	1	
11	MT3128 2808 85	EXPANDING SHAFT	2	
12	MT3128 2811 95S	BOOM ATTACHMENT	1	Service ex.
13	MT3128 3059 89	BELLOWS COUPLING	1	
14	MT3128 3077 24	RESOLVER COVER	1	
15	MT3128 3077 89	FOAM BLOCK	2	
16	MT3128 3220 66	SEAL	1	
17	MT3128 3228 27	SENSOR BRACKET	1	
18	MT3128 3228 30	SHAFT	1	
19	MT0211 1322 03	M8x16 SHCS	4	
20	MT9106 9755 91	ANGLE SENSOR RCS5	1	

PART NUMBER MT3128 3235 002		DESCRIPTION BOOM ATTACHMENT E70S	
			
MT Parts: 0407 059 610 1 Haesy Circuit, Roseworthy S.A. 5371 171 Dugan Street, Kalgoorlie W.A. 6430 parts@mtunderground.com www.mtunderground.com		PAGE 4.1	

MT3128 2808 82
BEARING HOUSING ASSEMBLY

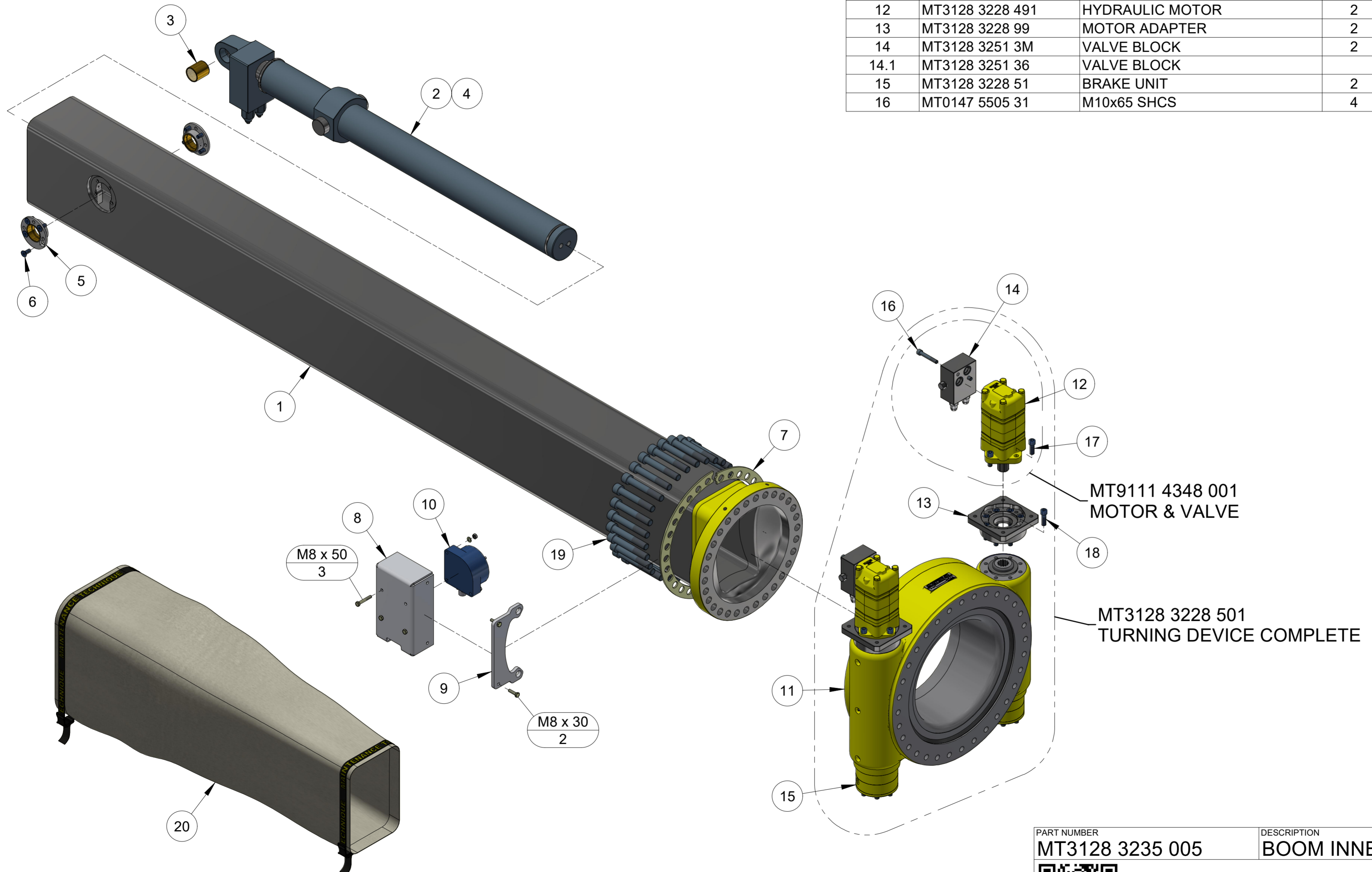


ITEM	PART NUMBER	DESCRIPTION	QTY	COMMENTS
1	MT0335 3110 00	RETAINING RING	9	
2	MT0335 3113 00	RETAINING RING	6	
3	MT0544 2162 00	1/8" BSP GREASE NIPPLE	2	
4	MT0663 2117 00	O-RING	2	
5	MT3128 2808 66	GREASE BLOCK	1	
6	MT3128 3211 56	BEARING FRAME	1	
7	MT3128 2808 89	BEARING RETAINER - LARGE	2	
8	MT3128 2808 96	BEARING RETAINER - SMALL	1	
9	MT3128 2808 90	BEARING PLATE	12	
10	MT3128 2808 92	BEARING SEAT	6	
11	MT3128 2808 94	SETTING SCREW	9	
12	MT3128 2809 02	BEARING PLATE	3	
13	MT3128 3152 53	LOCKING SPRING	2	
14	MT3128 2808 932	SEAL COMPLETE	1	
15	MT3128 2809 00	SEAL HOLDER	1	

PART NUMBER MT3128 3235 004	DESCRIPTION BEARING UNIT E70S
 	MT Parts: 0407 059 610 1 Hahey Circuit, Roseworthy S.A. 5371 171 Dugan Street, Kalgoorlie W.A. 6430 parts@mtunderground.com www.mtunderground.com
PAGE 4.3	

ITEM	PART NUMBER	DESCRIPTION	QTY	COMMENTS
16.1	MT0211 5295 00	3/8x21/2 UNC SHCS		OEM hydraulic motor only
17	MT0211 1402 03	M12x35 SHCS	8	
18	MT0211 1962 94	M12x40 SHCS	16	
19	MT0211 1102 98	M20x130 SHCS	30	
20	MT3128 3235 010	ZOOM COVER	1	E7 - 1.0m

ITEM	PART NUMBER	DESCRIPTION	QTY	COMMENTS
1	MT3128 3224 111	EXTENSION TUBE	1	Service ex.
2	MT3128 3268 06	BOOM EXTENSION CYLINDER	1	Service ex.
3	MT3222 3185 73	BUSH	1	
4	MT3222 3185 72	SEAL KIT	1	
5	MT3128 3268 08	ZOOM BUSH	2	
6	MT0216 1957 73	M10x25 SHCS CSK	8	
7	MT3128 3224 52	FLANGE RING	2	
8	MT3128 3228 45	SENSOR BRACKET	1	
9	MT3128 3228 52	MOUNT PLATE	1	
10	MT9106 2192 04	INCLINOMETER	1	
11	MT3128 3228 50	TURNING DEVICE	1	
12	MT3128 3228 491	HYDRAULIC MOTOR	2	Requires MT valve block & adapter
13	MT3128 3228 99	MOTOR ADAPTER	2	Required to fit MT motor
14	MT3128 3251 3M	VALVE BLOCK	2	MT hydraulic motor only
14.1	MT3128 3251 36	VALVE BLOCK		OEM hydraulic motor only
15	MT3128 3228 51	BRAKE UNIT	2	
16	MT0147 5505 31	M10x65 SHCS	4	MT hydraulic motor only



PART NUMBER	DESCRIPTION
MT3128 3235 005	BOOM INNER E70S
 	
MT Parts: 0407 059 610 1 Haehy Circuit, Roseworthy S.A. 5371 171 Dugan Street, Kalgoorlie W.A. 6430 parts@mtunderground.com www.mtunderground.com	
PAGE	4.4