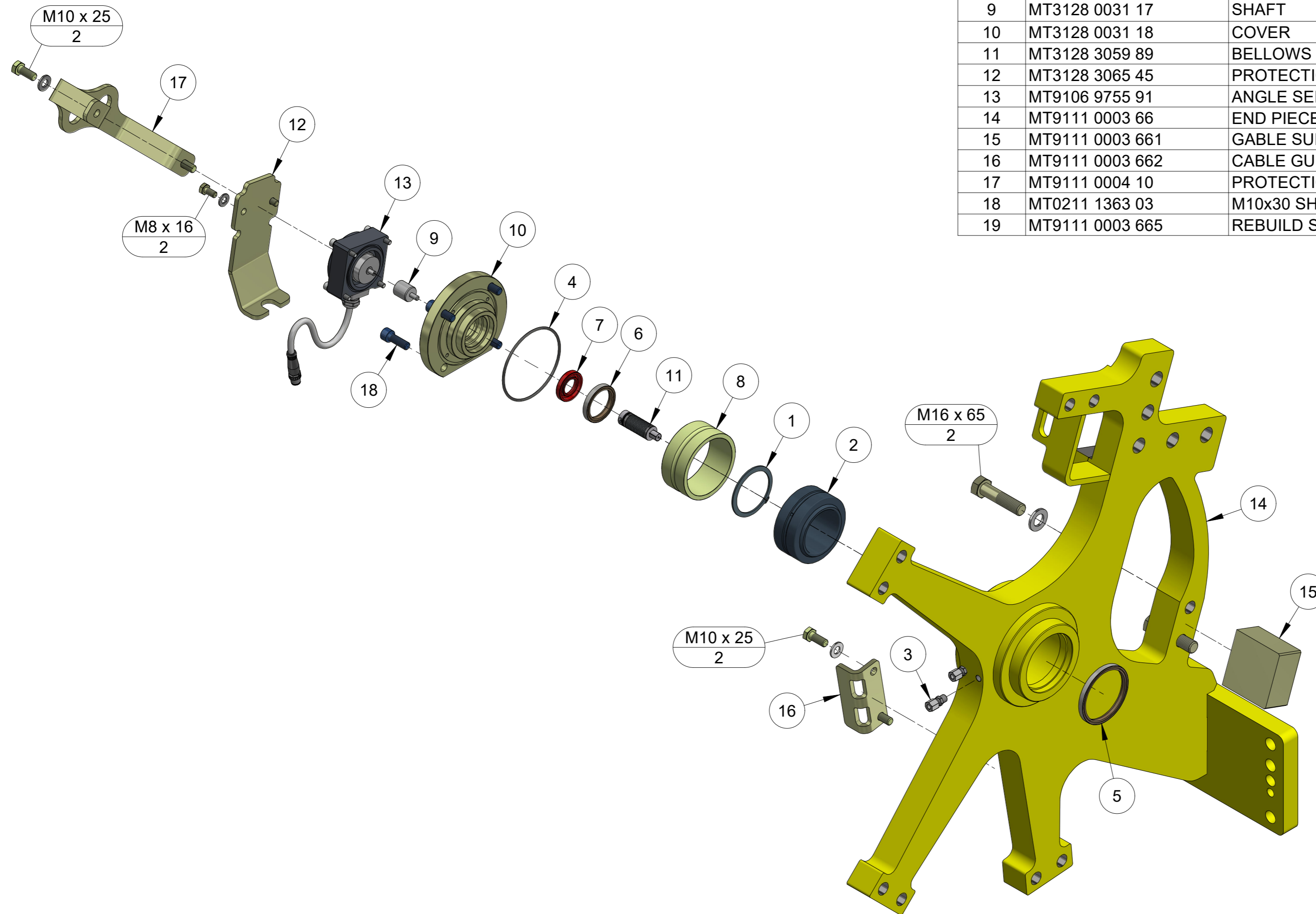




| | |
|-------------------------------|---------------------------------------|
| PART NUMBER MT9111 0070 15 | DESCRIPTION CAROUSEL 1.5m - RHS27F |
| PART NUMBER MT9111 0070 18 | DESCRIPTION CAROUSEL 1.8m - RHS27F |



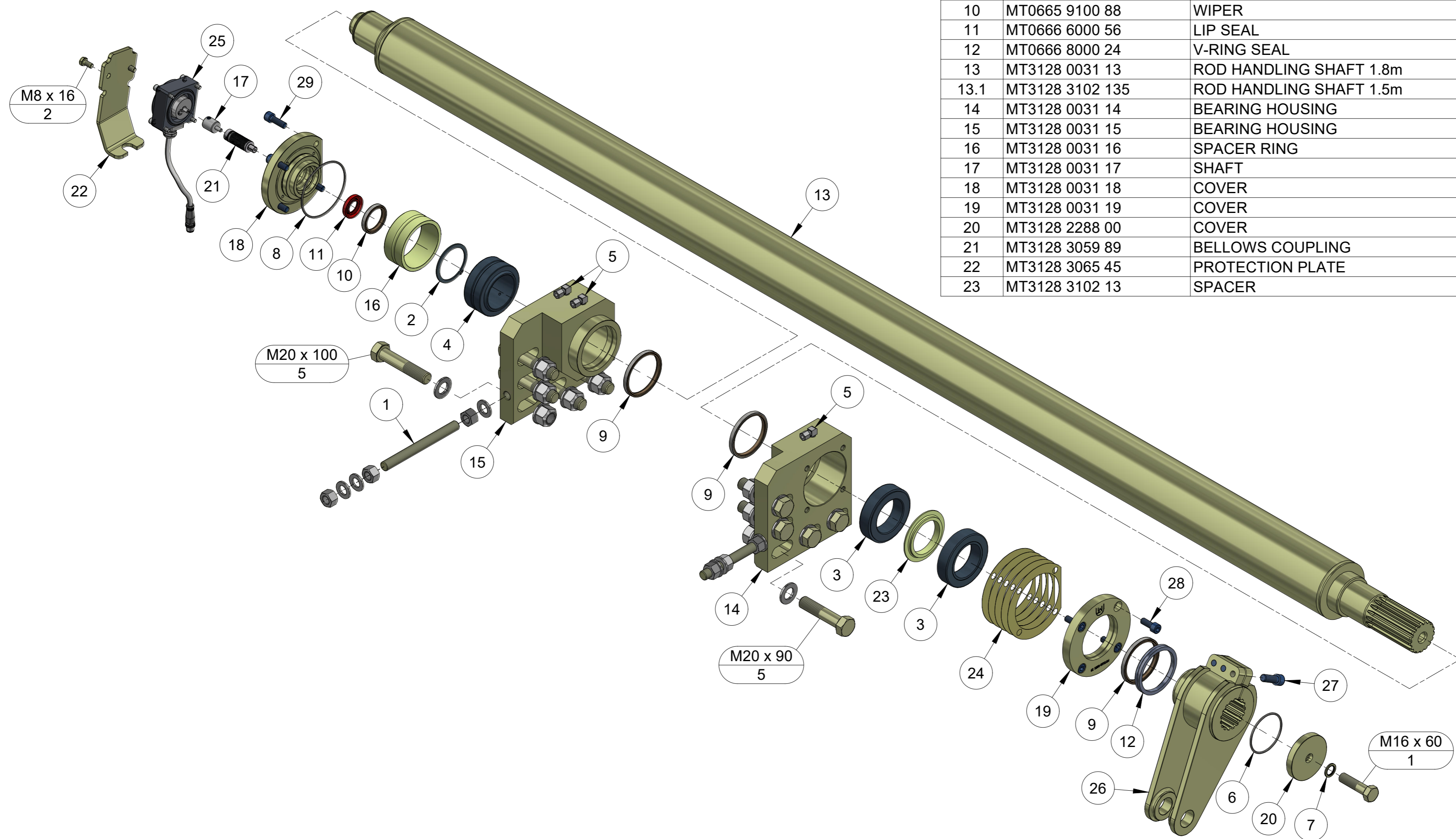
MT Parts: 0407 059 610
 1 Haesy Circuit, Roseworthy S.A. 5371
 171 Dugan Street, Kalgoorlie W.A. 6430
parts@mtunderground.com
www.mtunderground.com



| ITEM | PART NUMBER | DESCRIPTION | QTY | COMMENTS |
|------|-----------------|---------------------|-----|------------|
| 1 | MT0335 1151 00 | CIRCLIP | 1 | # |
| 2 | MT0501 0019 01 | BEARING | 1 | # |
| 3 | MT0580 0002 00 | COUPLING STRAIGHT | 2 | |
| 4 | MT0663 6143 00 | O-RING | 1 | # |
| 5 | MT0665 9100 86 | WIPER | 1 | # |
| 6 | MT0665 9100 88 | WIPER | 1 | # |
| 7 | MT0666 6000 56 | LIP SEAL | 1 | # |
| 8 | MT3128 0031 16 | SPACER RING | 1 | |
| 9 | MT3128 0031 17 | SHAFT | 1 | |
| 10 | MT3128 0031 18 | COVER | 1 | |
| 11 | MT3128 3059 89 | BELLOWS COUPLING | 1 | |
| 12 | MT3128 3065 45 | PROTECTION PLATE | 1 | |
| 13 | MT9106 9755 91 | ANGLE SENSOR RCS5 | 1 | |
| 14 | MT9111 0003 66 | END PIECE | 1 | |
| 15 | MT9111 0003 661 | GABLE SUPPORT BLOCK | 1 | |
| 16 | MT9111 0003 662 | CABLE GUIDE | 1 | |
| 17 | MT9111 0004 10 | PROTECTION | 1 | |
| 18 | MT0211 1363 03 | M10x30 SHCS | 4 | # |
| 19 | MT9111 0003 665 | REBUILD SET | | Includes # |

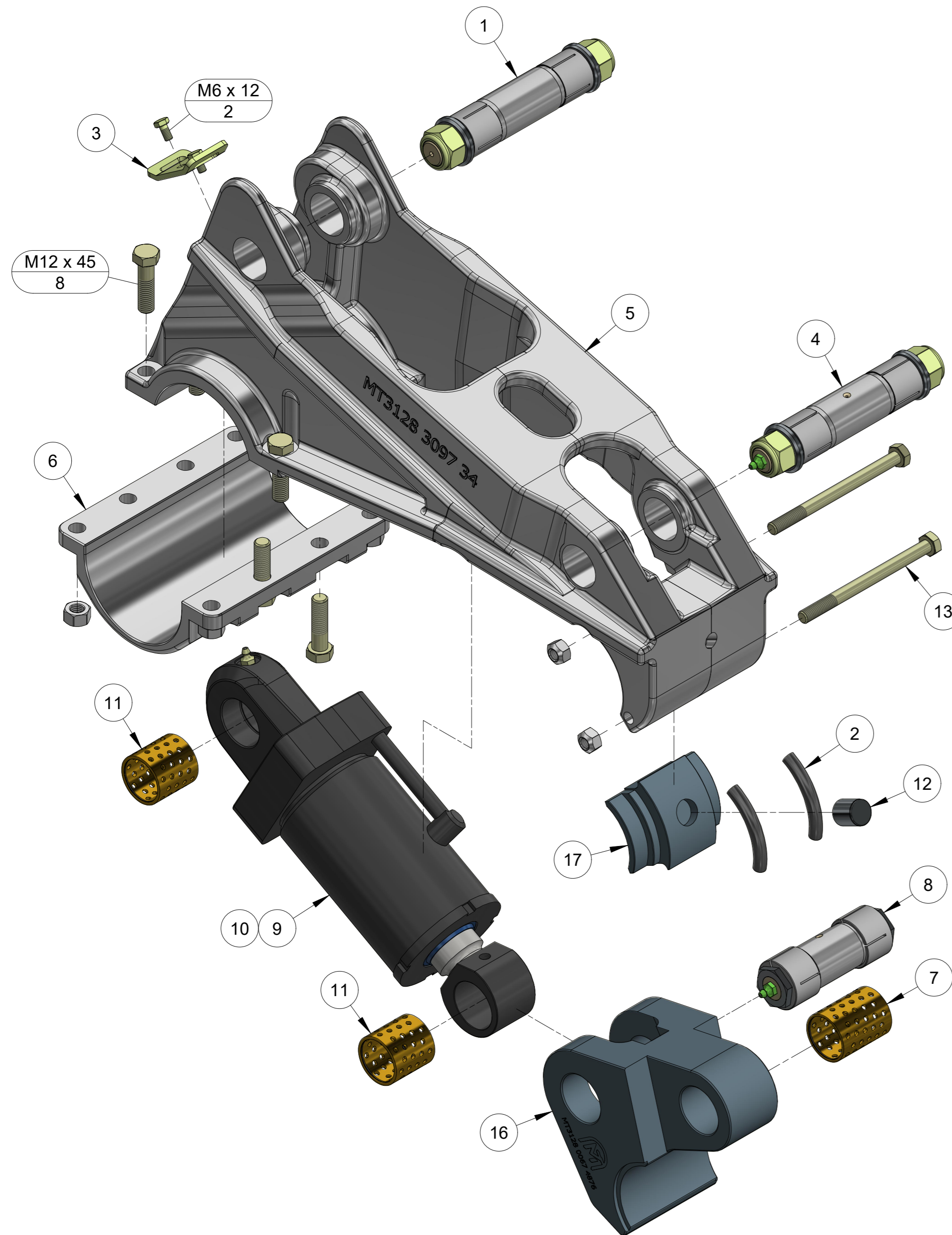
| | |
|--|--------------|
| PART NUMBER | DESCRIPTION |
| MT9111 0003 668 | BOTTOM FRAME |
|   | |
| MT Parts: 0407 059 610 1 Hahey Circuit, Roseworthy S.A. 5371 171 Dugan Street, Kalgoorlie W.A. 6430 parts@mtunderground.com <small>PAGE</small> www.mtunderground.com 1 | |

| ITEM | PART NUMBER | DESCRIPTION | QTY | COMMENTS | ITEM | PART NUMBER | DESCRIPTION | QTY | COMMENTS |
|------|-----------------|--------------------|-----|------------|------|-----------------|-------------------------|-----|----------|
| 24 | MT3128 3115 78 | SHIM | 5 | # | 1 | MT0248 9979 54 | M16x165 THREADED ROD | 2 | |
| 25 | MT9106 9755 91 | ANGLE SENSOR RCS5 | 1 | | 2 | MT0335 1151 00 | CIRCLIP | 1 | # |
| 26 | MT9111 0023 323 | CLAMP ARM - RHS27F | 1 | | 3 | MT0501 0000 51 | BEARING | 2 | # |
| 27 | MT0211 1402 03 | M12x35 SHCS | 3 | # | 4 | MT0501 0019 01 | BEARING | 1 | # |
| 28 | MT0211 1362 03 | M10x25 SHCS | 4 | # | 5 | MT0580 2202 00 | COUPLING 90° | 3 | |
| 29 | MT0211 1363 03 | M10x30 SHCS | 4 | # | 6 | MT0663 6137 00 | O-RING | 1 | # |
| 30 | MT3128 0031 135 | REBUILD SET | | Includes # | 7 | MT0061 1014 00 | SEAL WASHER | 1 | # |
| | | | | | 8 | MT0663 6143 00 | O-RING | 1 | # |
| | | | | | 9 | MT0665 9100 86 | WIPER | 3 | # |
| | | | | | 10 | MT0665 9100 88 | WIPER | 1 | # |
| | | | | | 11 | MT0666 6000 56 | LIP SEAL | 1 | # |
| | | | | | 12 | MT0666 8000 24 | V-RING SEAL | 1 | # |
| | | | | | 13 | MT3128 0031 13 | ROD HANDLING SHAFT 1.8m | 1 | ** = 13 |
| | | | | | 13.1 | MT3128 3102 135 | ROD HANDLING SHAFT 1.5m | 1 | ** = 35 |
| | | | | | 14 | MT3128 0031 14 | BEARING HOUSING | 1 | |
| | | | | | 15 | MT3128 0031 15 | BEARING HOUSING | 1 | |
| | | | | | 16 | MT3128 0031 16 | SPACER RING | 1 | |
| | | | | | 17 | MT3128 0031 17 | SHAFT | 1 | |
| | | | | | 18 | MT3128 0031 18 | COVER | 1 | |
| | | | | | 19 | MT3128 0031 19 | COVER | 1 | |
| | | | | | 20 | MT3128 2288 00 | COVER | 1 | |
| | | | | | 21 | MT3128 3059 89 | BELLOWS COUPLING | 1 | |
| | | | | | 22 | MT3128 3065 45 | PROTECTION PLATE | 1 | |
| | | | | | 23 | MT3128 3102 13 | SPACER | 1 | |



NOTE: WHEN ORDERING COMPLETE SHAFT REPLACE ** IN PART NUMBER WITH SHAFT LENGTH REQUIRED - SEE PARTS LIST COMMENTS

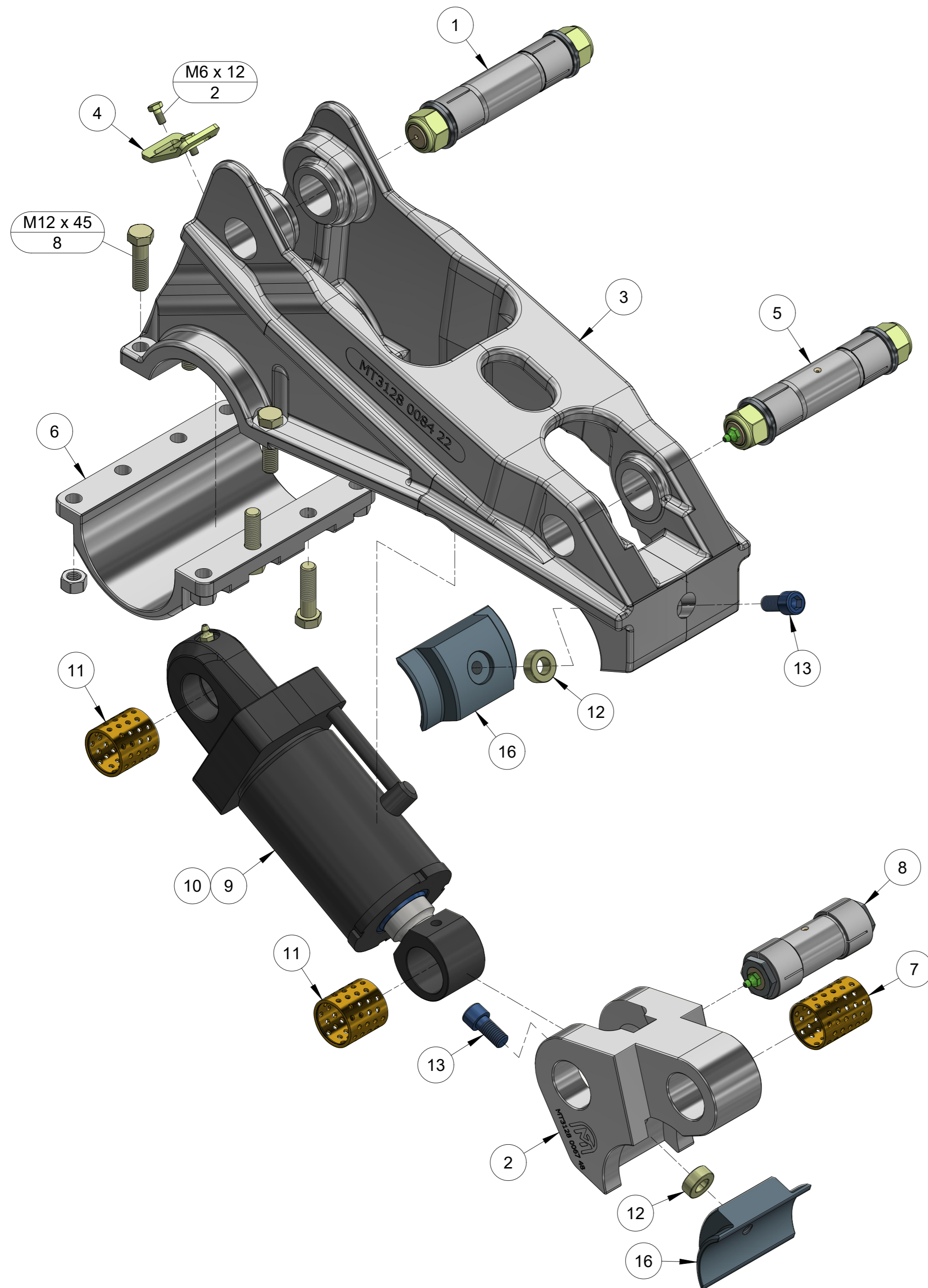
| | |
|---|-------------------|
| PART NUMBER | DESCRIPTION |
| MT3128 0031 13** | GRIPPER ARM SHAFT |
|   | |
| MT Parts: 0407 059 610 1 Haehy Circuit, Roseworthy S.A. 5371 171 Dugan Street, Kalgoorlie W.A. 6430 parts@mtunderground.com <small>PAGE</small> www.mtunderground.com | |
| | 2 |



| ITEM | PART NUMBER | DESCRIPTION | QTY | COMMENTS |
|---------------------|------------------|--------------------|-----|----------------------|
| 1 | MT3128 0031 55 | EXPANDING SHAFT | 1 | # |
| 2 | MT3128 2353 00 | DAMPING ELEMENT | 2 | # |
| 3 | MT3128 2597 50 | ATTACHMENT | 1 | |
| 4 | MT3128 3063 83 | EXPANDING SHAFT | 1 | # |
| 5 | MT3128 3097 34 | ARM | 1 | |
| 6 | MT3128 3097 36 | CLAMP | 1 | |
| 7 | MT3128 3104 53 | BUSHING | 1 | # |
| 8 | MT3128 3105 98 | EXPANDING SHAFT | 1 | # |
| 9 | MT3128 3106 12 | HYDRAULIC CYLINDER | 1 | Includes item 11 x 2 |
| 10 | MT9120 0993 09 | SEAL KIT | 1 | |
| 11 | MT3128 3106 13 | BUSHING | 2 | # |
| 12 | MT3128 3107 02 | PIN GRIPPER DOWEL | 1 | # |
| 13 | MT0147 1381 03 | M10x130 HEX HD | 2 | # |
| 14 | MT3128 0068 545 | REBUILD SET | | Includes # |
| 15 | MT3128 0068 549 | BOLT SET | | |
| GRIPPER JAWS | | | | |
| 16 | MT3128 0067 4845 | JAW - SWING 45MM | 1 | ** = 45 |
| 16.1 | MT3128 0067 4851 | JAW - SWING 51MM | 1 | ** = 51 |
| 16.2 | MT3128 0067 4864 | JAW - SWING 64MM | 1 | ** = 64 |
| 16.3 | MT3128 0067 4876 | JAW - SWING 76MM | 1 | ** = 76 |
| 16.4 | MT3128 0067 4887 | JAW - SWING 87MM | 1 | ** = 87 |
| 17 | MT3128 3104 22 | JAW 45MM | 1 | ** = 45 |
| 17.1 | MT3128 3104 51 | JAW 51MM | 1 | ** = 51 |
| 17.2 | MT3128 3104 25 | JAW 64MM | 1 | ** = 64 |
| 17.3 | MT3128 3104 26 | JAW 76MM | 1 | ** = 76 |
| 17.4 | MT3128 3104 27 | JAW 87MM | 1 | ** = 87 |

NOTE: WHEN ORDERING COMPLETE ARM REPLACE ** IN PART NUMBER WITH JAW SIZE REQUIRED - SEE PARTS LIST COMMENTS

| | |
|---|-------------------------|
| PART NUMBER | DESCRIPTION |
| MT3128 0068 54** | GRIPPER ARM F SERIES MT |
|   | |
| MT Parts: 0407 059 610 1 Haesy Circuit, Roseworthy S.A. 5371 171 Dugan Street, Kalgoorlie W.A. 6430 parts@mtunderground.com www.mtunderground.com | |
| PAGE | 3 |

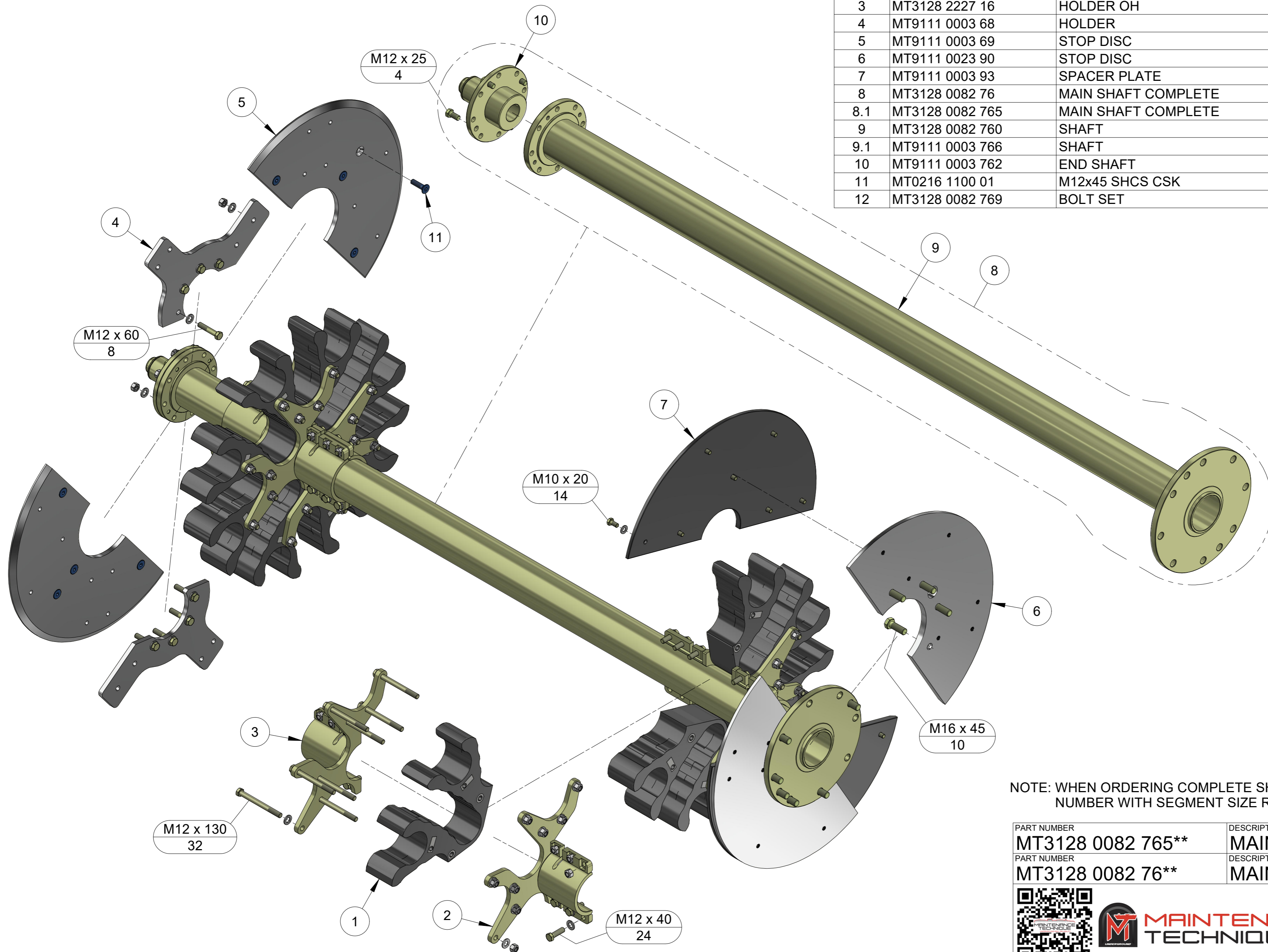


| ITEM | PART NUMBER | DESCRIPTION | QTY | COMMENTS |
|--------------|-----------------|--------------------|-----|----------------------|
| 1 | MT3128 0031 55 | EXPANDING SHAFT | 1 | # |
| 2 | MT3128 0067 48 | JAW HOLDER | 1 | |
| 3 | MT3128 0084 22 | ARM F SERIES | 1 | |
| 4 | MT3128 2597 50 | ATTACHMENT | 1 | |
| 5 | MT3128 3063 83 | EXPANDING SHAFT | 1 | # |
| 6 | MT3128 3097 36 | CLAMP | 1 | |
| 7 | MT3128 3104 53 | BUSHING | 1 | # |
| 8 | MT3128 3105 98 | EXPANDING SHAFT | 1 | # |
| 9 | MT3128 3106 12 | HYDRAULIC CYLINDER | 1 | Includes item 11 x 2 |
| 10 | MT9120 0993 09 | SEAL KIT | 1 | |
| 11 | MT3128 3106 13 | BUSHING | 2 | # |
| 12 | MT9111 0024 13 | DOWEL | 2 | # |
| 13 | MT0211 1400 03 | M12x25 SHCS | 2 | # |
| 14 | MT3128 0068 545 | REBUILD SET | | Includes # |
| 15 | MT3128 0084 229 | BOLT SET | | |
| GRIPPER JAWS | | | | |
| 16 | MT3128 0086 25 | JAW 45MM | 2 | ** = 45 |
| 16.1 | MT3128 0086 26 | JAW 51MM | 2 | ** = 51 |
| 16.2 | MT3128 0086 264 | JAW 64MM | 2 | ** = 64 |
| 16.3 | MT3128 0086 27 | JAW 76MM | 2 | ** = 76 |
| 16.4 | MT3128 0067 47 | JAW 87MM | 2 | ** = 87 |

NOTE: WHEN ORDERING COMPLETE ARM REPLACE ** IN PART NUMBER WITH JAW SIZE REQUIRED - SEE PARTS LIST COMMENTS



| | |
|---|--|
| PART NUMBER MT3128 0084 22** | DESCRIPTION GRIPPER ARM F SERIES OEM |
|   | |
| MT Parts: 0407 059 610 1 Haesy Circuit, Roseworthy S.A. 5371 171 Dugan Street, Kalgoorlie W.A. 6430 parts@mtunderground.com www.mtunderground.com | |
| PAGE 4 | |

| ITEM | PART NUMBER | DESCRIPTION | QTY | COMMENTS |
|------|-----------------|--------------------------|-----|----------|
| 1 | MT4527 | SIMBA MT4527 - 45mm tube | 8 | ** = 45 |
| 1.1 | MT5127 | SIMBA MT5127 - 51mm tube | 8 | ** = 51 |
| 1.2 | MT6427 | SIMBA MT6427 - 64mm tube | 8 | ** = 64 |
| 1.3 | MT7627 | SIMBA MT7627 - 76mm tube | 8 | ** = 76 |
| 1.4 | MT7827 | SIMBA MT7827 - 78mm tube | 8 | ** = 78 |
| 1.5 | MT8727E | SIMBA MT8727 - 87mm tube | 8 | ** = 87 |
| 2 | MT3128 2227 15 | HOLDER | 4 | |
| 3 | MT3128 2227 16 | HOLDER OH | 4 | |
| 4 | MT9111 0003 68 | HOLDER | 2 | |
| 5 | MT9111 0003 69 | STOP DISC | 2 | |
| 6 | MT9111 0023 90 | STOP DISC | 2 | |
| 7 | MT9111 0003 93 | SPACER PLATE | 2 | |
| 8 | MT3128 0082 76 | MAIN SHAFT COMPLETE | 1 | 1.8m |
| 8.1 | MT3128 0082 765 | MAIN SHAFT COMPLETE | 1 | 1.5m |
| 9 | MT3128 0082 760 | SHAFT | 1 | 1.8m |
| 9.1 | MT9111 0003 766 | SHAFT | 1 | 1.5m |
| 10 | MT9111 0003 762 | END SHAFT | 1 | |
| 11 | MT0216 1100 01 | M12x45 SHCS CSK | 8 | |
| 12 | MT3128 0082 769 | BOLT SET | | |



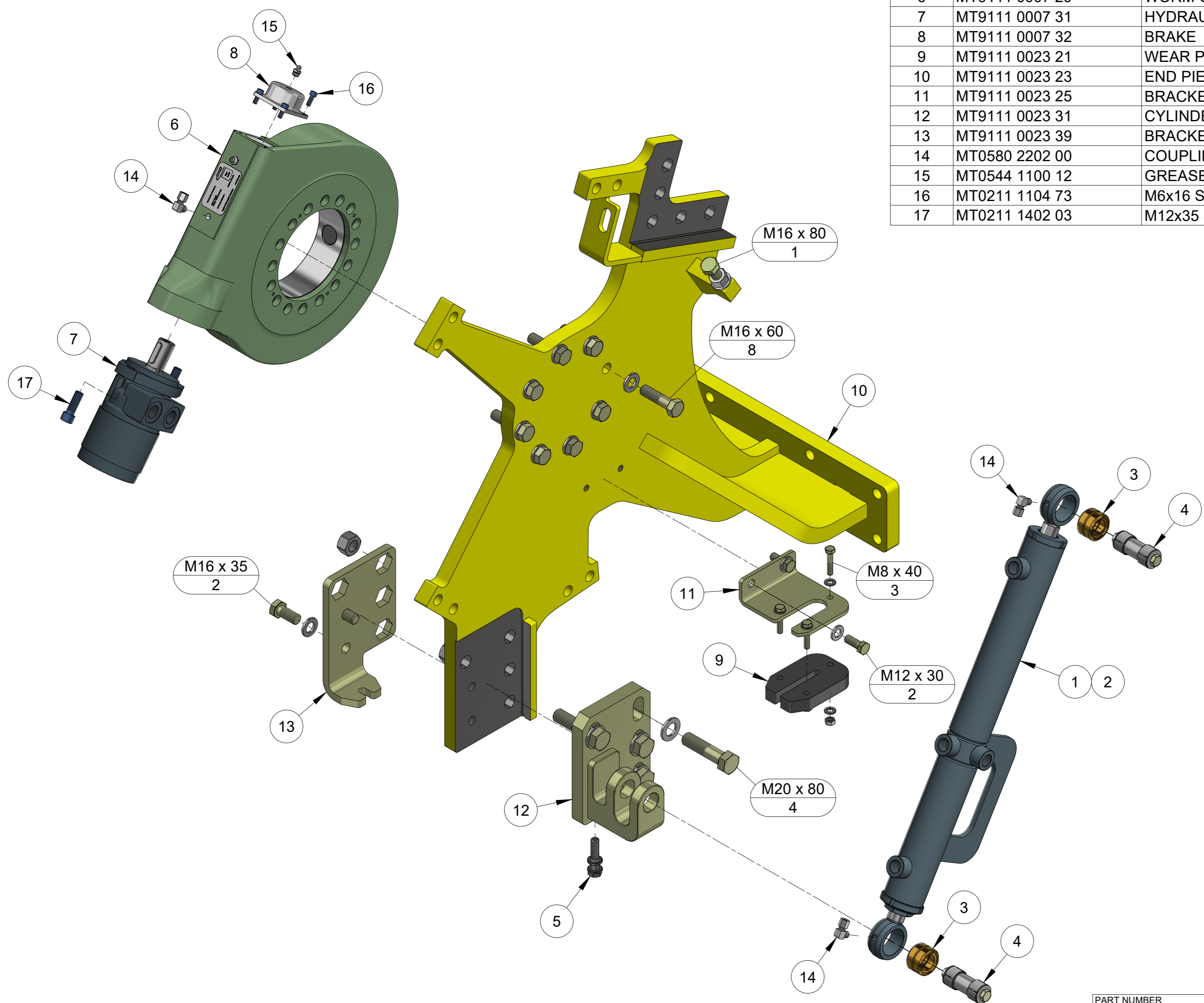
NOTE: WHEN ORDERING COMPLETE SHAFT REPLACE ** IN PART NUMBER WITH SEGMENT SIZE REQUIRED - SEE PARTS LIST COMMENTS



| | |
|-------------------|-----------------|
| PART NUMBER | DESCRIPTION |
| MT3128 0082 765** | MAIN SHAFT 1.5m |
| PART NUMBER | DESCRIPTION |
| MT3128 0082 76** | MAIN SHAFT 1.8m |

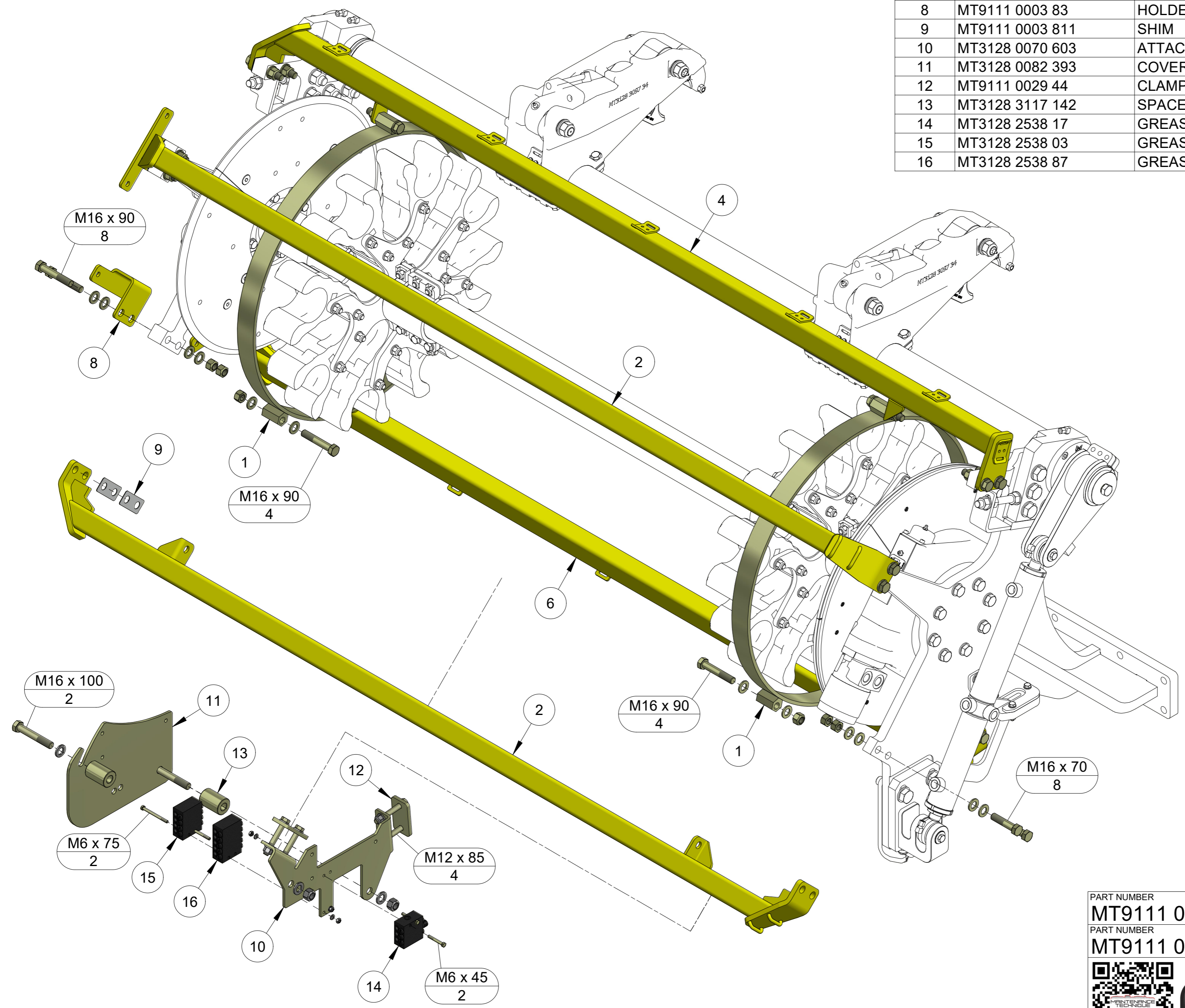
MT Parts: 0407 059 610
 1 Haehy Circuit, Roseworthy S.A. 5371
 171 Dugan Street, Kalgoorlie W.A. 6430
parts@mtunderground.com PAGE
www.mtunderground.com **5**

| ITEM | PART NUMBER | DESCRIPTION | QTY | COMMENTS |
|------|-----------------|------------------|-----|---------------------|
| 1 | MT3128 0069 303 | CYLINDER | 1 | Includes Item 3 x 2 |
| 2 | MT6060 0130 39 | SEAL KIT | 1 | |
| 3 | MT3128 3134 05 | BUSH | 2 | |
| 4 | MT3128 3104 72 | RHS PIN COMPLETE | 2 | |
| 5 | MT3222 3133 47 | SCREW | 1 | |
| 6 | MT9111 0007 29 | WORM GEAR UNIT | 1 | |
| 7 | MT9111 0007 31 | HYDRAULIC MOTOR | 1 | |
| 8 | MT9111 0007 32 | BRAKE | 1 | |
| 9 | MT9111 0023 21 | WEAR PAD | 1 | |
| 10 | MT9111 0023 23 | END PIECE RHS27F | 1 | |
| 11 | MT9111 0023 25 | BRACKET | 1 | |
| 12 | MT9111 0023 31 | CYLINDER BRACKET | 1 | |
| 13 | MT9111 0023 39 | BRACKET | 1 | |
| 14 | MT0580 2202 00 | COUPLING 90° | 3 | |
| 15 | MT0544 1100 12 | GREASE NIPPLE | 1 | |
| 16 | MT0211 1104 73 | M6x16 SHCS | 4 | |
| 17 | MT0211 1402 03 | M12x35 SHCS | 2 | |



| | |
|--|---------------------------------|
| PART NUMBER MT9111 0023 238 | DESCRIPTION TOP FRAME |
|   | |
| <p>MT Parts: 0407 059 610 1 Haesy Circuit, Roseworthy S.A. 5371 171 Dugan Street, Kalgoorlie W.A. 6430 parts@mtunderground.com www.mtunderground.com</p> | |
| <p>PAGE 6</p> | |

| ITEM | PART NUMBER | DESCRIPTION | QTY | COMMENTS |
|------|------------------|--------------------------|-----|----------|
| 1 | MT3128 3102 93 | PROTECTION ARCH | 2 | |
| 2 | MT9111 0003 81 | STAY | 2 | 1.8m |
| 3 | MT9111 0003 815 | STAY | 2 | 1.5m |
| 4 | MT9111 0011 81 | STAY | 1 | 1.8m |
| 5 | MT9111 0011 815 | STAY | 1 | 1.5m |
| 6 | MT9111 0003 810 | STAY | 1 | 1.8m |
| 7 | MT9111 0003 8105 | STAY | 1 | 1.5m |
| 8 | MT9111 0003 83 | HOLDER IRON | 3 | |
| 9 | MT9111 0003 811 | SHIM | 8 | |
| 10 | MT3128 0070 603 | ATTACHMENT PLATE | 1 | |
| 11 | MT3128 0082 393 | COVER PLATE | 1 | |
| 12 | MT9111 0029 44 | CLAMP | 2 | |
| 13 | MT3128 3117 142 | SPACER | 2 | |
| 14 | MT3128 2538 17 | GREASE DISTRIBUTOR BLOCK | 1 | 6 port |
| 15 | MT3128 2538 03 | GREASE DISTRIBUTOR BLOCK | 1 | 8 port |
| 16 | MT3128 2538 87 | GREASE DISTRIBUTOR BLOCK | 1 | 10 port |



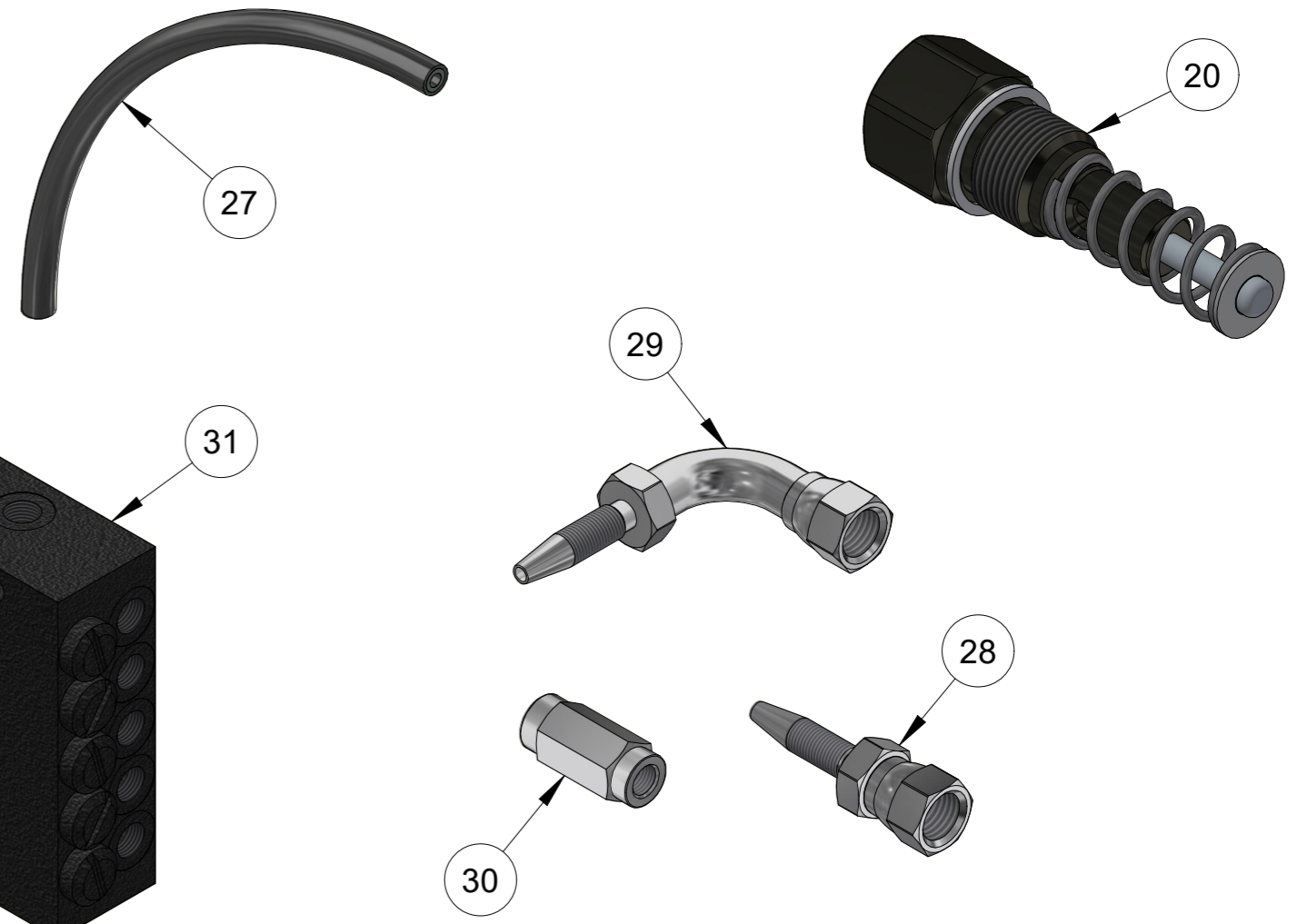
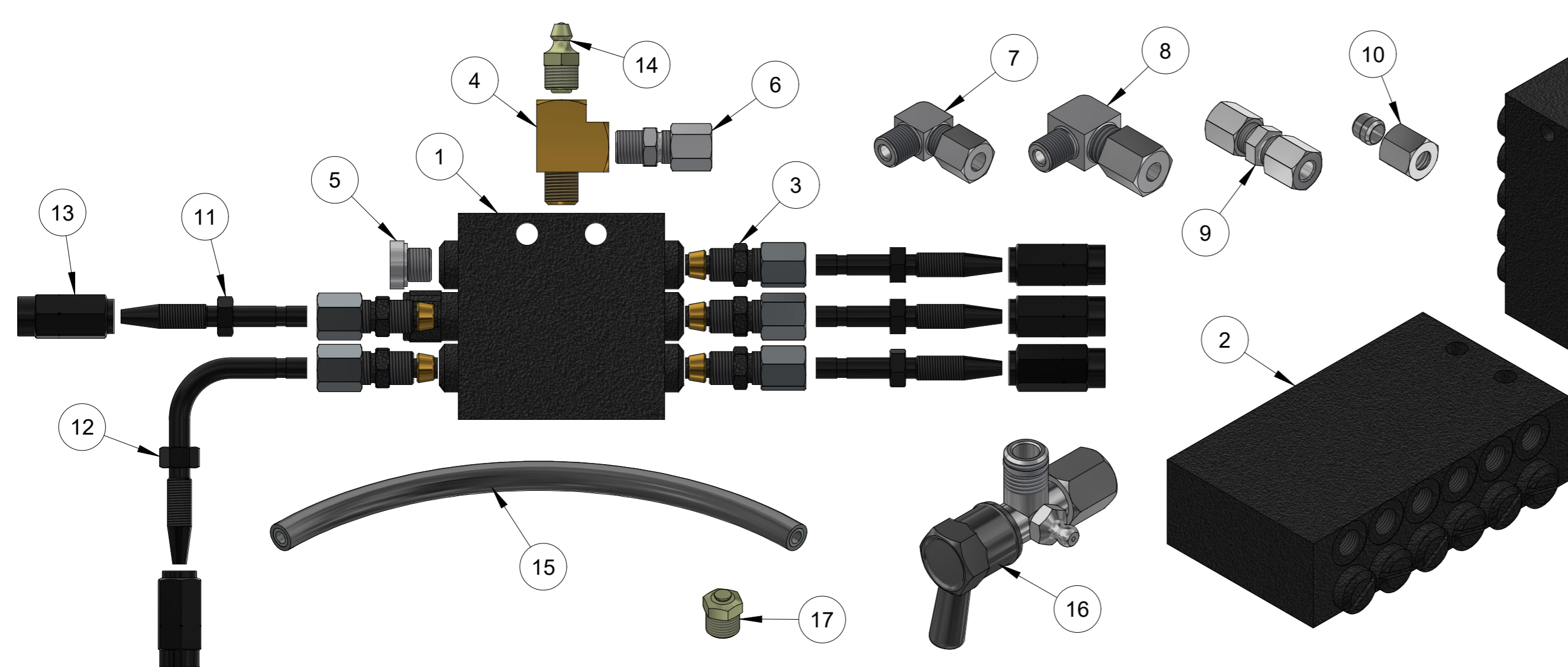
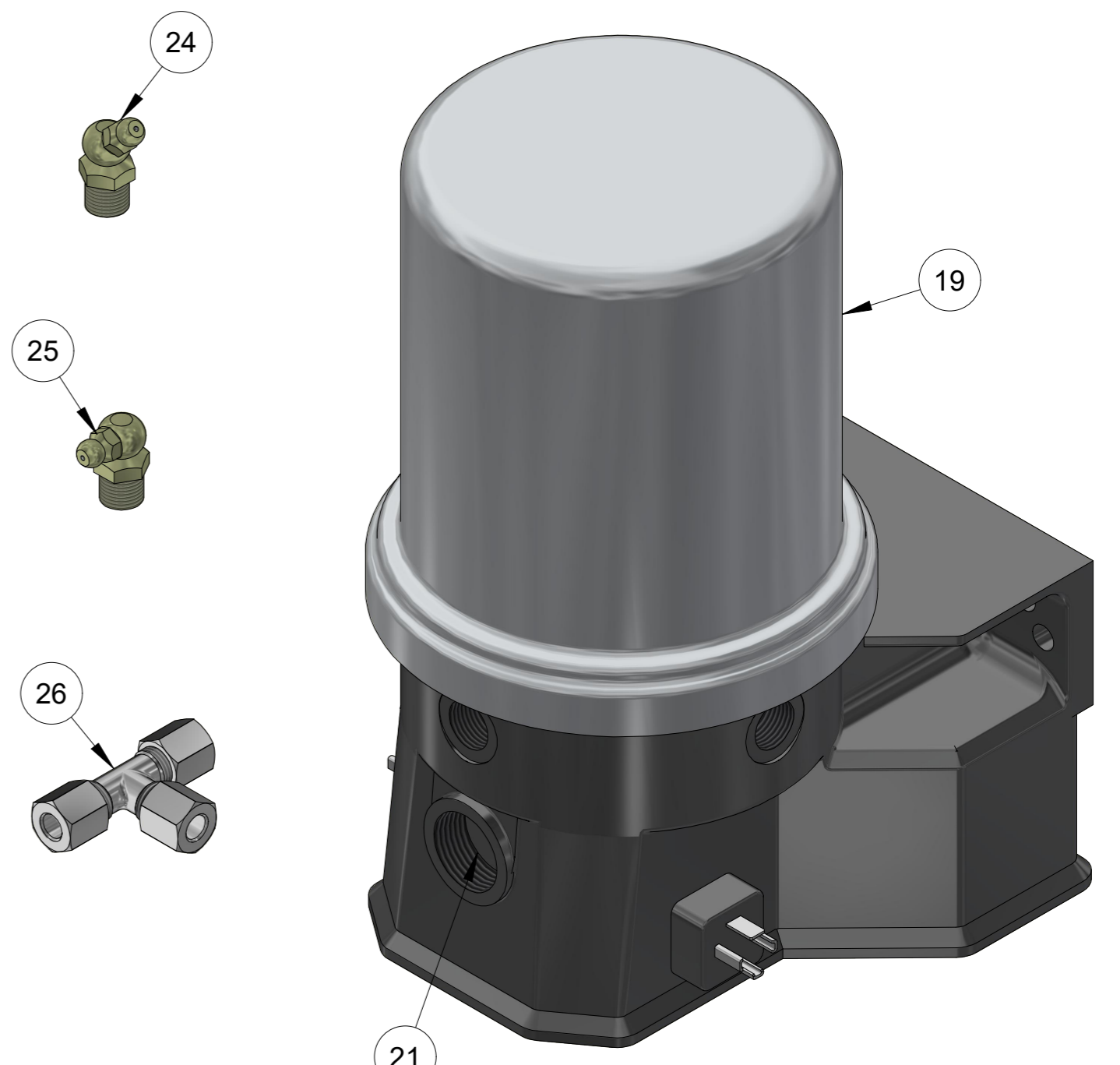
| | |
|------------------|----------------|
| PART NUMBER | DESCRIPTION |
| MT9111 0003 8185 | MID FRAME 1.5m |
| PART NUMBER | DESCRIPTION |
| MT9111 0003 8188 | MID FRAME 1.8m |

MT Parts: 0407 059 610
 1 Haesy Circuit, Roseworthy S.A. 5371
 171 Dugan Street, Kalgoorlie W.A. 6430
parts@mtunderground.com
www.mtunderground.com

PAGE
7

| ITEM | PART NUMBER | DESCRIPTION | QTY | COMMENTS |
|------|-----------------|----------------------------------|-----|---|
| 1 | MT3128 2538 17 | GREASE DISTRIBUTOR BLOCK 6 PORT | 1 | With indicator |
| 2 | MT3128 2538 18 | GREASE DISTRIBUTOR BLOCK 12 PORT | 1 | |
| 3 | MT3128 2539 95 | CHECK VALVE | 6 | |
| 4 | MT3128 2538 12 | ADAPTOR T | 2 | Grease block |
| 5 | MT3128 3005 37 | PLUG | 6 | Grease block |
| 6 | MT0580 0002 00 | COUPLING STRAIGHT | 10 | |
| 7 | MT0580 2202 00 | COUPLING 90° | 10 | 1/8" BSP (12mm hex nut) |
| 8 | MT0580 2014 07 | COUPLING 90° | 6 | 1/8" BSP (14mm hex nut) |
| 9 | MT3128 2538 08J | HOSE JOINER | 10 | |
| 10 | MT3128 2539 9A | NUT & OLIVE | 6 | |
| 11 | MT3128 2538 09 | HOSE ADAPTOR STRAIGHT | 10 | |
| 12 | MT3128 2538 90 | HOSE ADAPTER 90° | 10 | |
| 13 | MT3128 2538 08 | THREADED SLEEVE | 20 | |
| 14 | MT0544 2162 00 | GREASE NIPPLE | 10 | 1/8" BSP |
| 15 | MT3128 2538 10 | HIGH POWER PIPE | 10 | Order by metre |
| 16 | MT3128 2538 02 | SAFETY VALVE | 1 | Pump outlet |
| 17 | MT3128 3151 485 | RELIEF VALVE | 2 | Grease, 5 Bar |
| 18 | MT9106 1900 012 | STORAGE BOX | 1 | Not shown |
| 19 | MT3128 2538 36 | GREASE PUMP | | Not in repair kit, supplied with 1 pump element |
| 20 | MT3128 2538 01 | PUMP ELEMENT | | Not in repair kit |
| 21 | MT3128 3049 45 | CIRCUIT BOARD | | Not in repair kit |
| 22 | MT3128 2538 03 | GREASE DISTRIBUTOR BLOCK 8 PORT | | Not in repair kit, not shown |
| 23 | MT3128 2538 19 | GREASE DISTRIBUTOR BLOCK 12 PORT | | Not in repair kit, with indicator, not shown |
| 24 | MT0544 2362 00 | GREASE NIPPLE 45° | | Not in repair kit, 1/8" BSP |
| 25 | MT0544 2562 00 | GREASE NIPPLE 90° | | Not in repair kit, 1/8" BSP |
| 26 | MT0580 4602 00 | TEE JOINER | | Not in repair kit |
| 27 | MT5112 2164 00 | PVC HIGH POWER PIPE | | Not in repair kit, order by metre |
| 28 | MT3128 2538 73 | HOSE STUD - 7/16" | | Not in repair kit |
| 29 | MT3128 2538 77 | HOSE STUD 90° SHORT - 7/16" | | Not in repair kit |
| 30 | MT3128 2538 79 | THREADED SLEEVE - 7/16" | | Not in repair kit |
| 31 | MT3128 2538 87 | GREASE DISTRIBUTOR BLOCK 10 PORT | | Not in repair kit |

Auto Grease Repair Kit



| | |
|---|---|
| PART NUMBER | DESCRIPTION |
| MT3128 2538 189 | AUTO GREASE REPAIR KIT |
|  |  |
| MT Parts: 0407 059 610 1 Haehy Circuit, Roseworthy S.A. 5371 171 Dugan Street, Kalgoorlie W.A. 6430 parts@mtunderground.com www.mtunderground.com | |
| PAGE | 8 |