

PRODUCT INFORMATION

DOCUMENT	SB FEED HOLDER BULKHEAD MT550 531 043
MACHINE/ GROUP	SANVIK DEVELOPMENT BOOM
DOCUMENT AUTHOR	GAVIN CUNNINGHAM 0407 389 689
DATE	08/3/2025
Document No.	

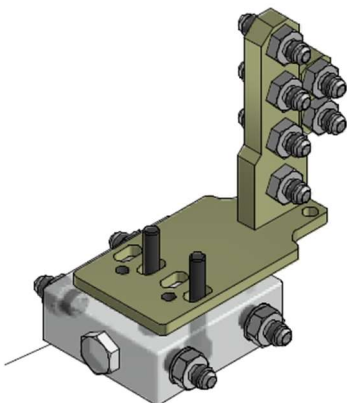


Background

The primary benefit of the bulkhead is to create an identical hose length and mounting position for all 8 feed holder hoses. Roll over hoses are also identical length however break out of the loom 1m before this bulkhead.

The mount plate sandwiches between the existing feed extension relief block, creating an improved loom angle. Alternately the base plate can be welded in place, threaded holes in the plate accept the OEM relief block.

It is recommended that the bulkhead be mounted on the inside surface of the feed holder (in front of the drilling hose tree) as the outside area encounters frequent damage when scaling or drilling lifters.



ITEM	PART NUMBER	DESCRIPTION	QTY	COMMENTS
1	MT550 531 041	CONNECTION BLOCK	1	SB FEED CRADLE
2	MT550 531 042	PLATE - SB FEED CRADLE	1	
3	MT1209 09	BULKHEAD COMPLETE 9/16	1	
4	MT3176 6496 00	JICM BULKHEAD UNION 9/16	4	
5	MT0147 5505 31	SHCS (M10x65)	2	
	MTBG 005 256 91	VALVE ASSEMBLY		NOT INCLUDED

MT550 531 043 MANIFOLD COMPETE – SB CRADLE