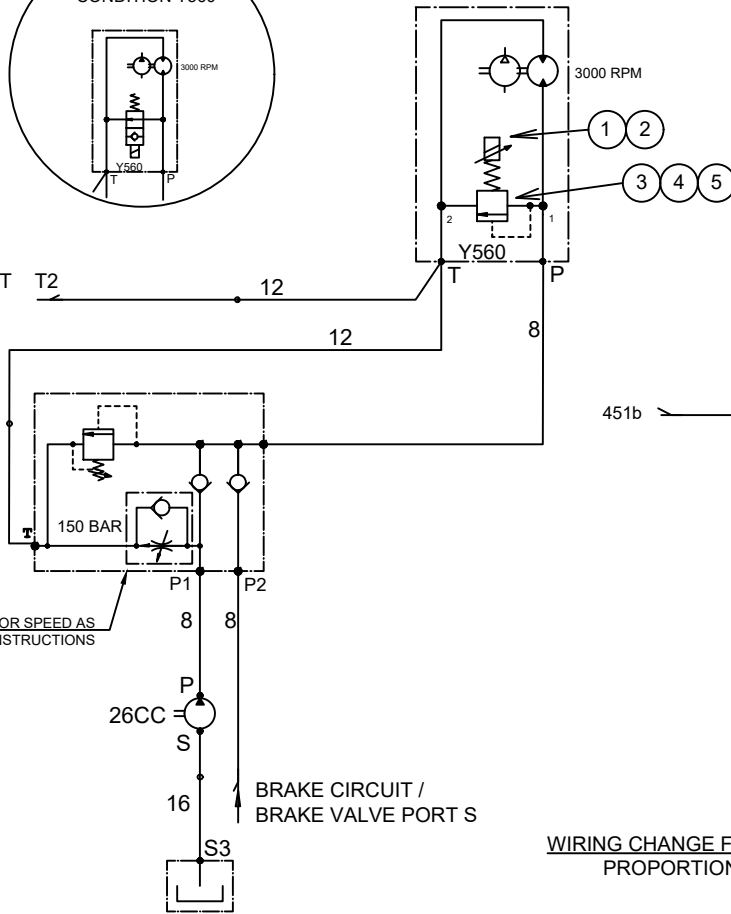


MT SOFT START AIR CONDITION

CONTROL VALVE PORT OF REAR JACKS



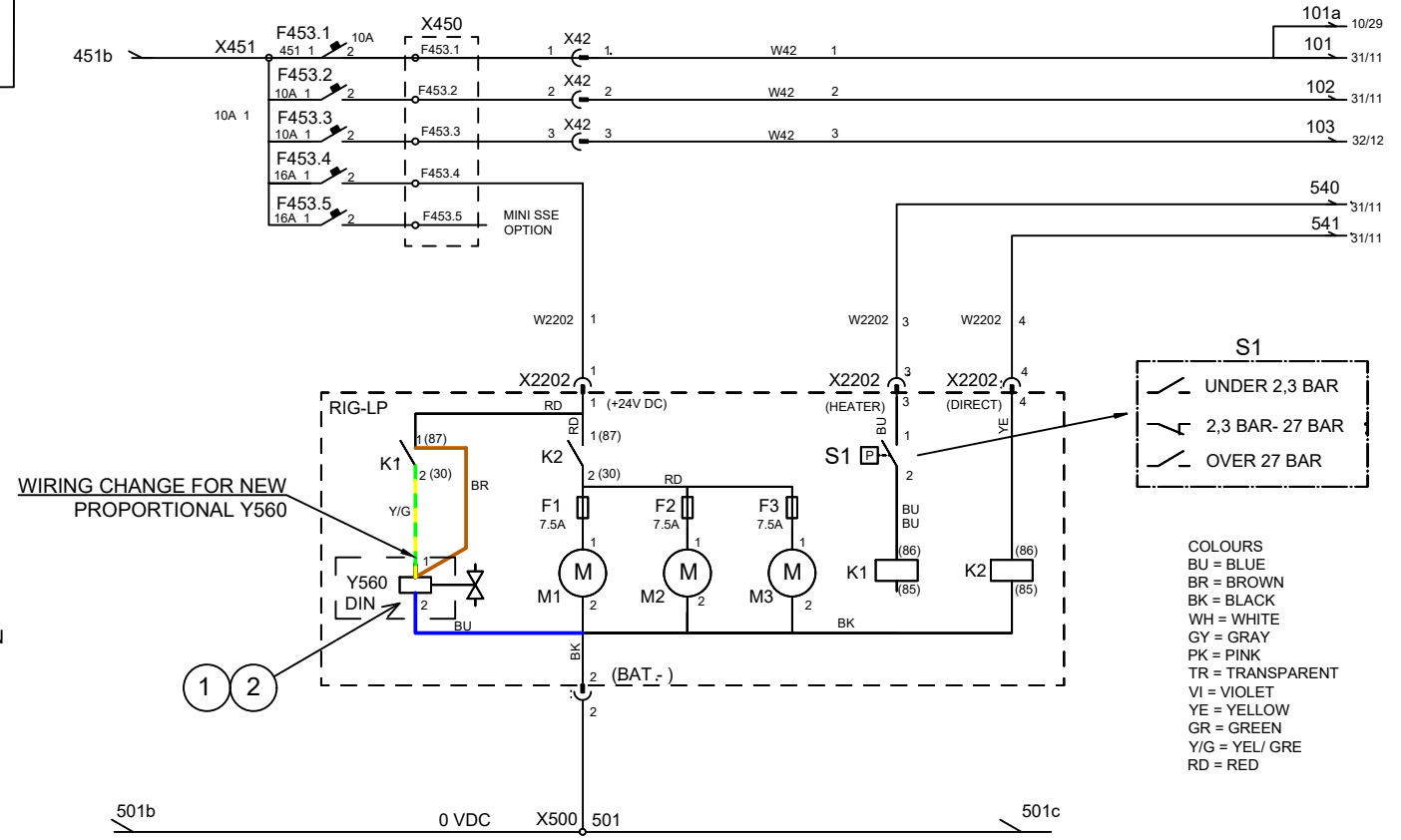
ADJUST COMPRESOR SPEED AS PER OEM INSTRUCTIONS

BRAKE CIRCUIT / BRAKE VALVE PORT S

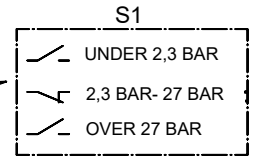
ITEM	PART NUMBER	DESCRIPTION	QTY	COMMENTS
1	MT011 484 583	CONTROLLER (PWM SOFT START)	1	
2	MT011 484 587	COIL AC SOFT START	1	
3	MT011 484 585	BODY T10A	1	
4	MT011 484 584	PROPORTIONAL PILOT RELIEF	1	
5	MT011 484 586	MODULATING ELEMENT	1	
6	MT12F64OMXS	ADAPTER 1 1/16 JIC FEMALE - 3/4 BSPP MALE SW	1	
7	MT8F64OMXS	JIC FEMALE SWIVEL TO BSPP 12	1	
8	MT0570 5010 13	NIPPLE 3/4" JIC TO 3/4" BSPP	1	
9	MT3176 6517 00	ADAPTOR JIC 1 1/16 - 3/4 BSPP	1	

24V DC SUPPLIES FOR CABIN

- F453.1 INTERIOR LIGHT, CD PLAYER AND SOCKET
- F453.2 AIR CONDITION- / HEATER DEVICE
- F453.3 SCREENS WIPERS AND WASHERS
- F453.4 AIR CONDITIONER CONDENSER FANS
- F453.5 24 V DC OPTION



WIRING CHANGE FOR NEW PROPORTIONAL Y560



- COLOURS
- BU = BLUE
 - BR = BROWN
 - BK = BLACK
 - WH = WHITE
 - GY = GRAY
 - PK = PINK
 - TR = TRANSPARENT
 - VI = VIOLET
 - YE = YELLOW
 - GR = GREEN
 - Y/G = YEL/ GRE
 - RD = RED

Background / Instructions

The Soft Start Kit for the Sandvik DD421 drill consists of a pre-configured proportional DIN plug adapter and a proportional relief valve cartridge.

Installation Steps:

- Replace Cartridge Block
- Remove the OEM cartridge block from the cabinet and install the supplied MT cartridge
- Connect all hoses according to the provided schematic.

Update Wiring

Disconnect the OEM DIN plug wiring from connector X2202. Connect the three wires from the new proportional DIN plug adapter following the wiring schematic.

System Test

Test the air conditioning system. The compressor should ramp up to full speed and then ramp down gradually. This soft start sequence helps prevent pump shaft and seal failures.

PART NUMBER MT552 089 423	DESCRIPTION AIR CON SOFT START KIT SANDVIK 421 AC
MT Parts: 0407 059 610 1 Hahesy Circuit, Roseworthy S.A. 5371 171 Dugan Street, Kalgoorlie W.A. 6430 parts@mtunderground.com www.mtunderground.com	