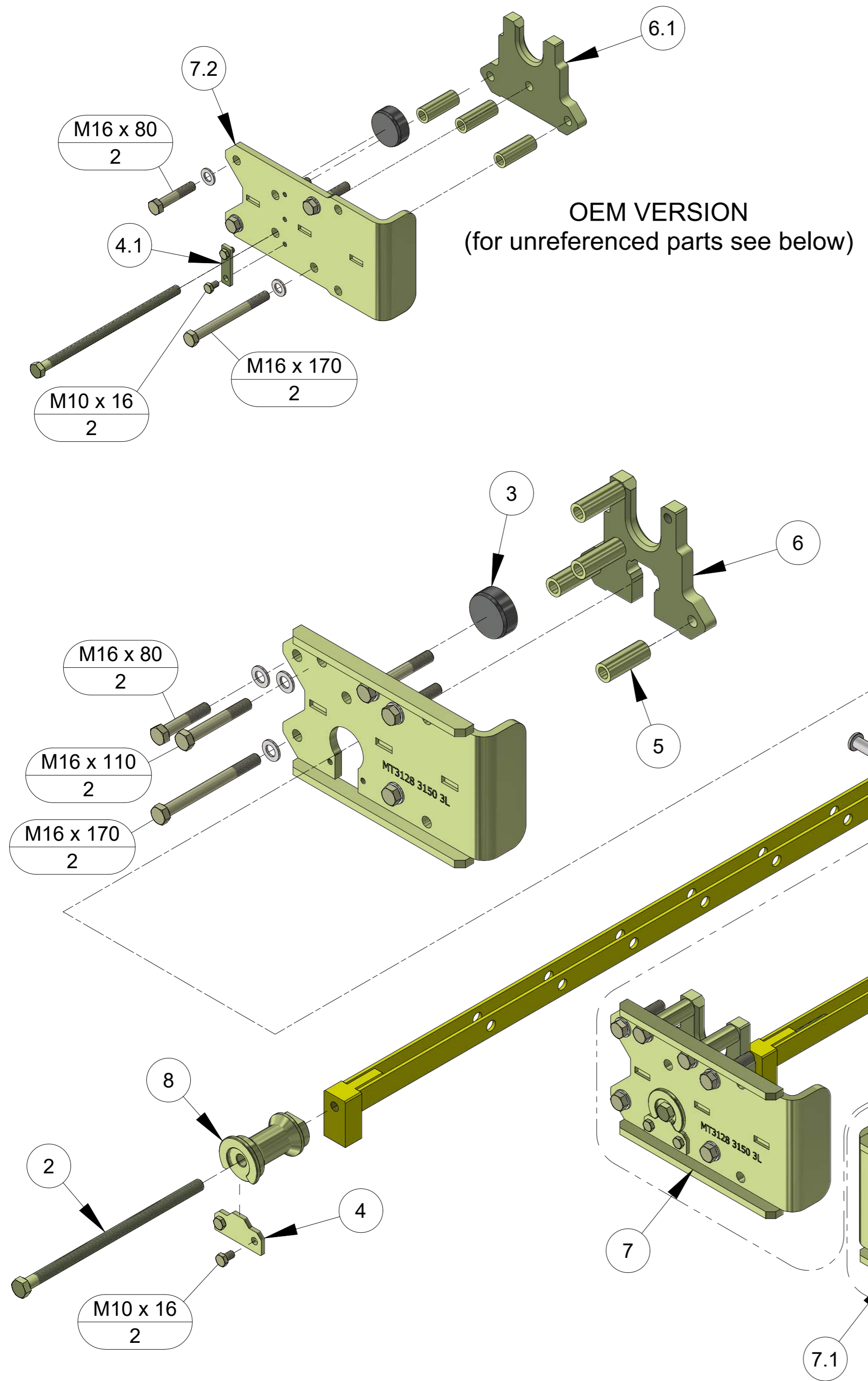


PART NUMBER	DESCRIPTION
MT9754 0001 98	MD20 SINGLE FEED 16/10
PART NUMBER	DESCRIPTION
MT3128 0014 481	MD20 SPLIT FEED 16/10 LEFT
PART NUMBER	DESCRIPTION
MT3128 0014 482	MD20 SPLIT FEED 16/10 RIGHT




**MAINTENANCE
TECHNIQUE**

MT Parts: 0407 059 610
 1 Haehy Circuit, Roseworthy S.A. 5371
 171 Dugan Street, Kalgoorlie W.A. 6430
parts@mtunderground.com
www.mtunderground.com

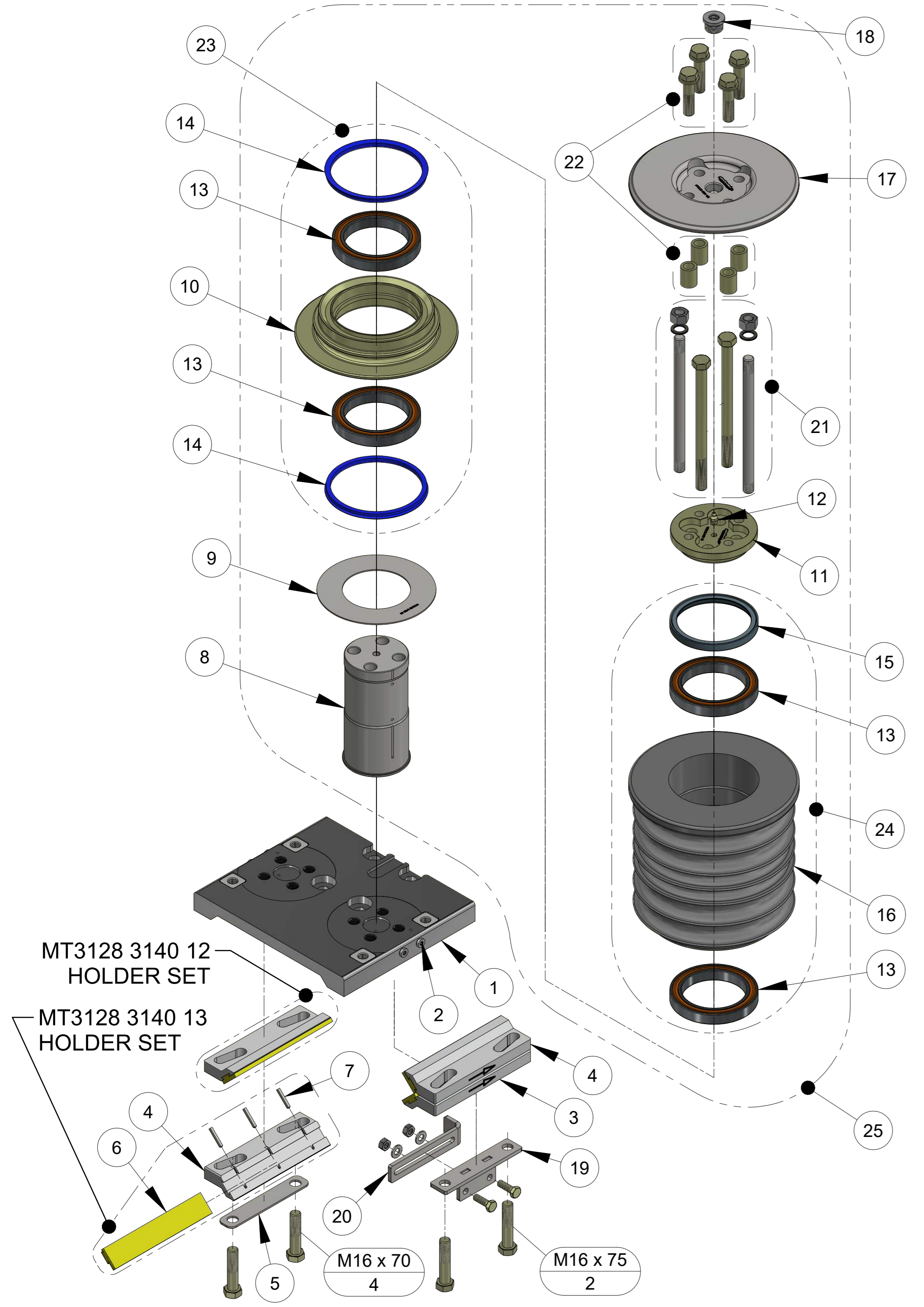


ITEM	PART NUMBER	DESCRIPTION	QTY	COMMENTS
1	MT0113 3238 00	PIN	1	Includes washer & split pin
2	MT0147 1958 29	SET SCREW	1	
3	MT3125 0639 00	BUFFER - REAR	1	
4	MT3128 0476 0R	WASHER PLATE	1	
4.1	MT3128 0476 00	WASHER PLATE	0	OEM
5	MT3128 3051 75	PIPE	4	OEM QTY=3
6	MT3128 3051 7R	END PIECE	1	
6.1	MT3128 3051 71	END PIECE	0	OEM
7	MT3128 3150 3L	BACK HEAD 6000 LH	1	
7.1	MT3128 3150 3R	BACK HEAD 6000 RH	0	
7.2	MT3128 3150 39	BACK HEAD	0	OEM
8	MT3128 3051 8S	SPACER	1	
9	MT3222 3097 50	ROPE LADDER	1	
10	MT3128 3150 3BK	BOLT KIT	1	
11	MT3128 3150 39BK	BOLT KIT	0	OEM

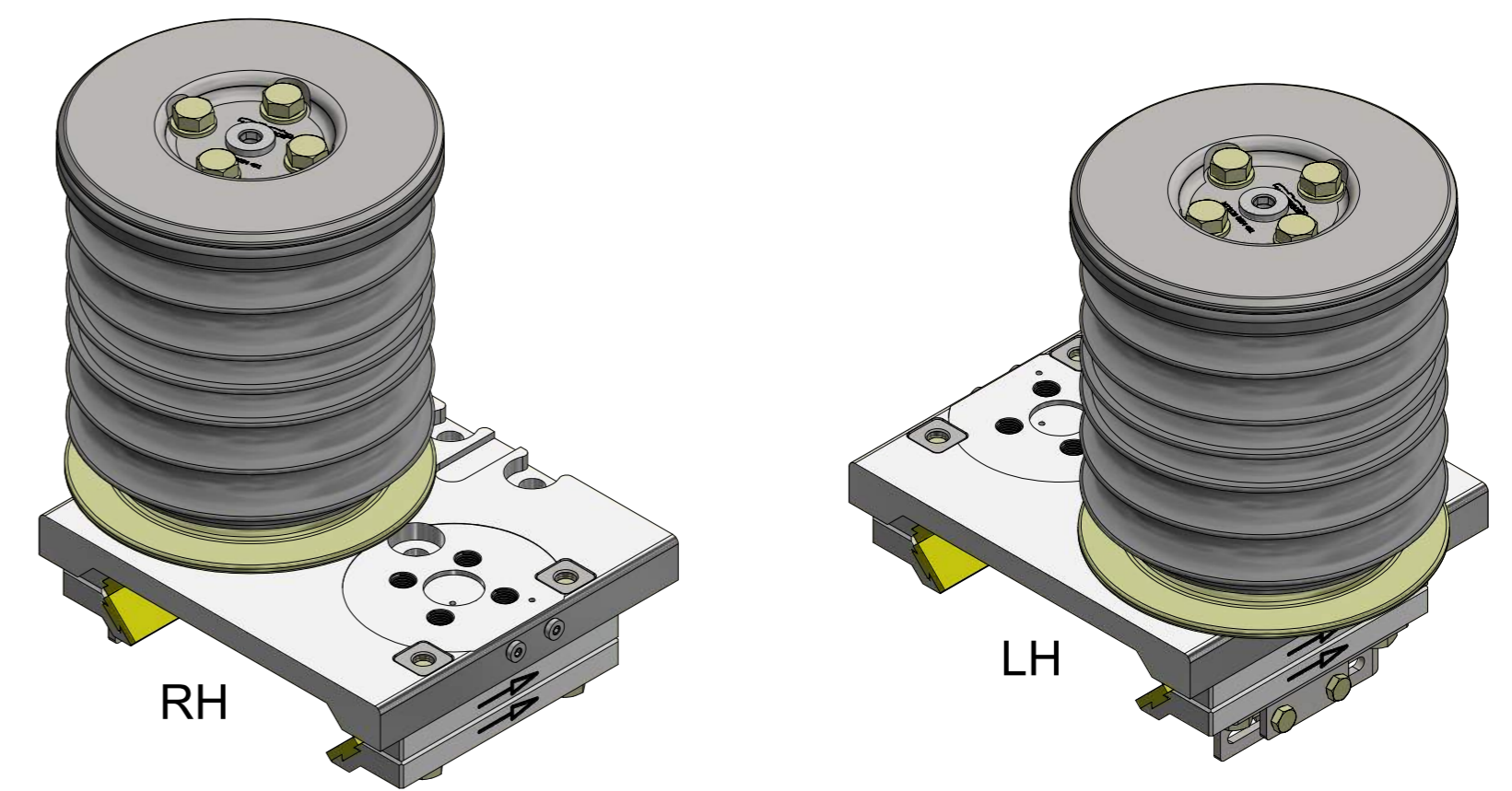
PART NUMBER	DESCRIPTION
MT3128 3150 39C	END PIECE SET (OEM)
PART NUMBER	DESCRIPTION
MT3128 3150 3918	END PIECE SET REM. LADDER LH
PART NUMBER	DESCRIPTION
MT3128 3150 3928	END PIECE SET REM. LADDER RH



MT Parts: 0407 059 610
 1 Haehy Circuit, Roseworthy S.A. 5371
 171 Dugan Street, Kalgoorlie W.A. 6430
parts@mtunderground.com
www.mtunderground.com



ITEM	PART NUMBER	DESCRIPTION	QTY	COMMENTS
1	MT3128 0014 70	CRADLE PLATE	1	
2	MT0686 3718 05	Socket Plug BSPP 1/8"	4	
3	MT3128 0785 49	SLIDE HOLDER LH	2	
4	MT3128 0785 48	SLIDE HOLDER RH	2	
5	MT3128 3252 84	WASHER PLATE	2	
6	MT3128 3039 30	NYLON SLIDE SOFT	4	YELLOW
6.1	MT3128 3039 31	NYLON SLIDE MID	0	BLUE
6.2	MT3128 3074 88	NYLON SLIDE HARD	0	GRAY
7	MT3128 0619 00	SLIDE KEY	12	
8	MT3128 0004 201	SHAFT	1	
9	MT3128 0485 00	DISC	1	
10	MT3128 0004 231	PULLEY WHEEL	1	
11	MT3128 0497 00	CAP	1	
12	MT0544 2162 00	1/8" BSP GREASE NIPPLE	1	
13	MT3128 0475 105	HOSE REEL BEARING	4	
14	MT0666 8007 04	SEAL	2	
15	MT0666 6718 00	RADIAL LIP SEAL	1	
16	MT3128 0004 25	HOSE DRUM	1	
17	MT3128 0054 491	DRUM PROTECTION	1	
18	MT0686 3718 50	PLUG (3/4" BSPP)	1	
19	MT3128 0710 00	BRACKET	1	incl. NUTS & BOLTS
20	MT3128 0711 00	ANGLE	1	
21	MT3128 3141 0BK	BOLT KIT	1	
22	MT3128 0054 499	SPACER KIT	1	
23	MT3128 0004 205	SHAFT WEAR KIT	1	
24	MT3128 0004 255	HOSE DRUM WEAR KIT	1	
25	MT3128 0004 212	HOSE DRUM SHAFT KIT	1	

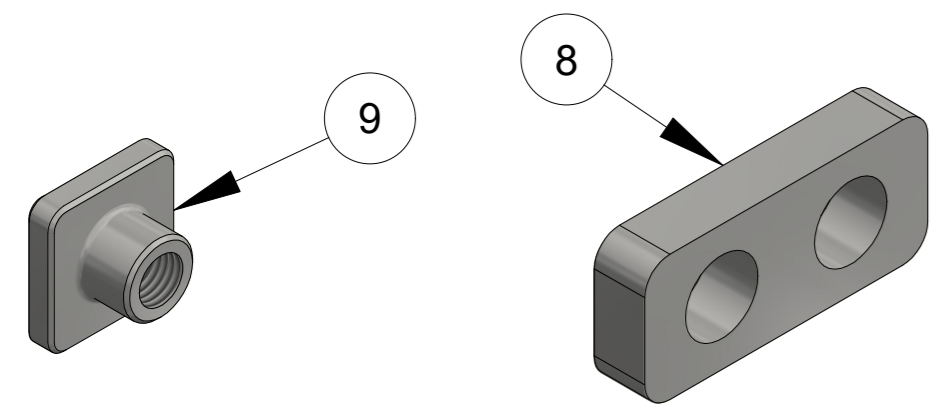


PART NUMBER	DESCRIPTION
MT3128 0004 258	LH HOSE DRUM COMPLETE

MT Parts: 0407 059 610
 1 Haesy Circuit, Roseworthy S.A. 5371
 171 Dugan Street, Kalgoorlie W.A. 6430

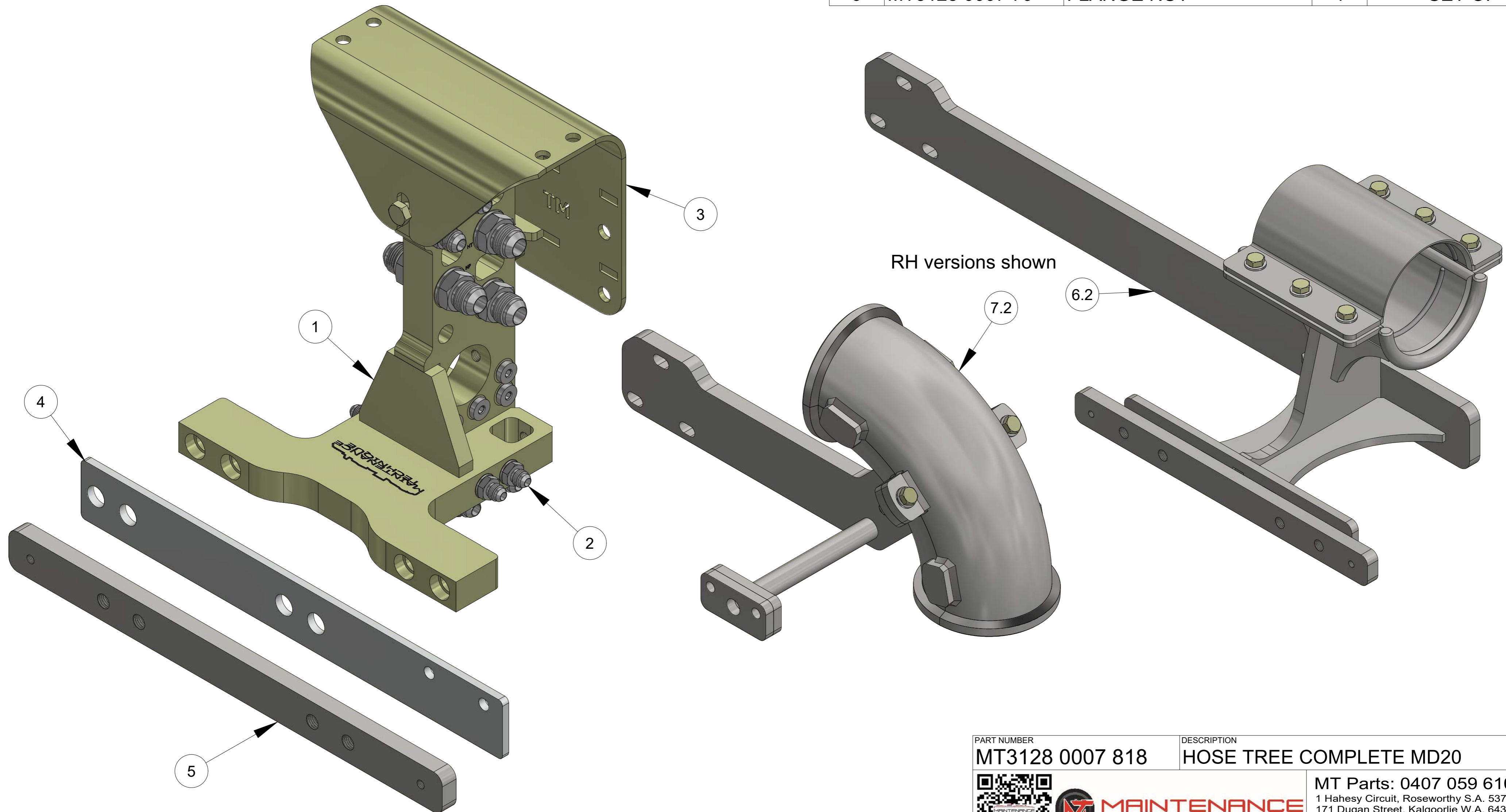
parts@mtunderground.com
www.mtunderground.com



PAGE
3

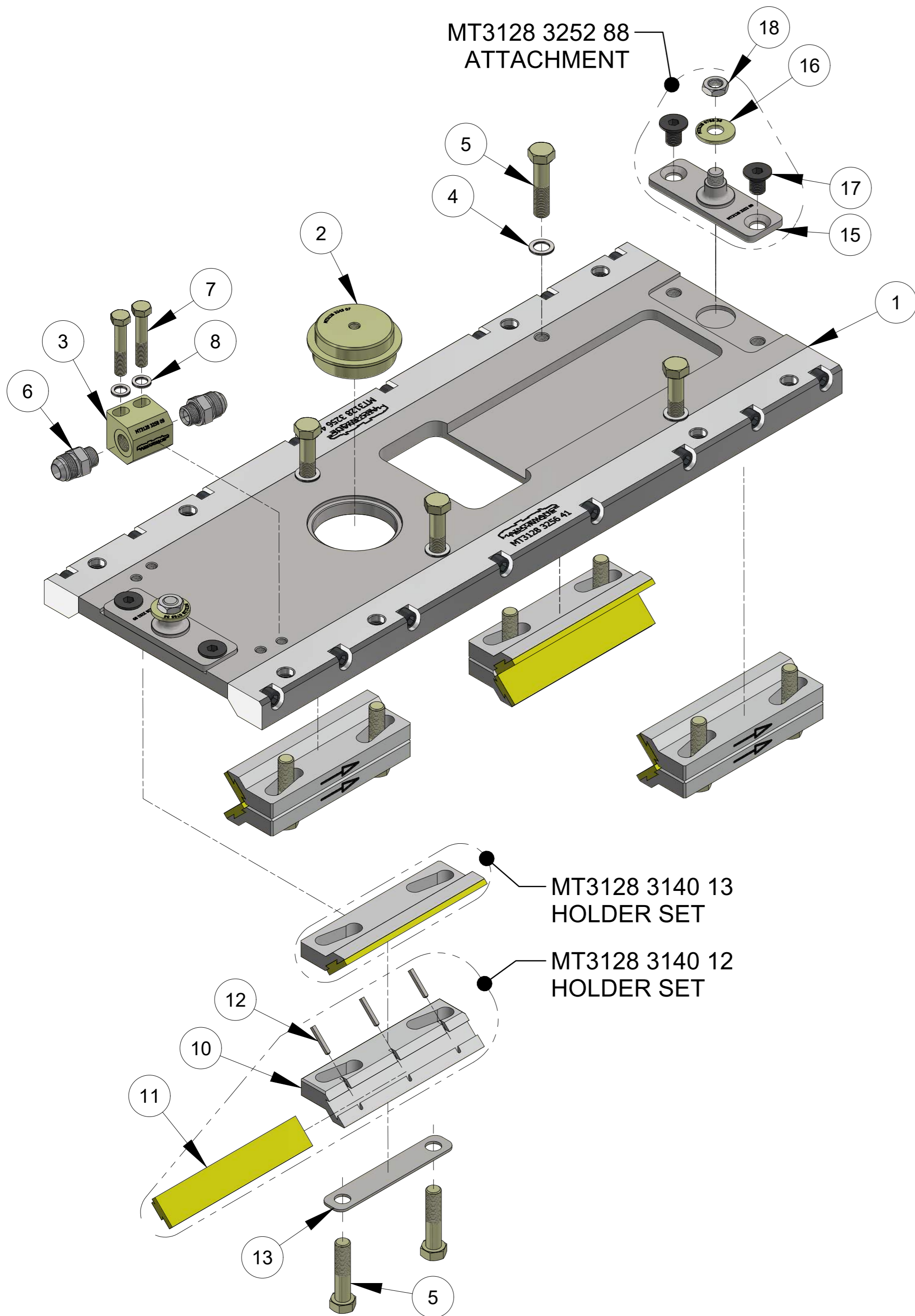


OEM only, not required for MT version

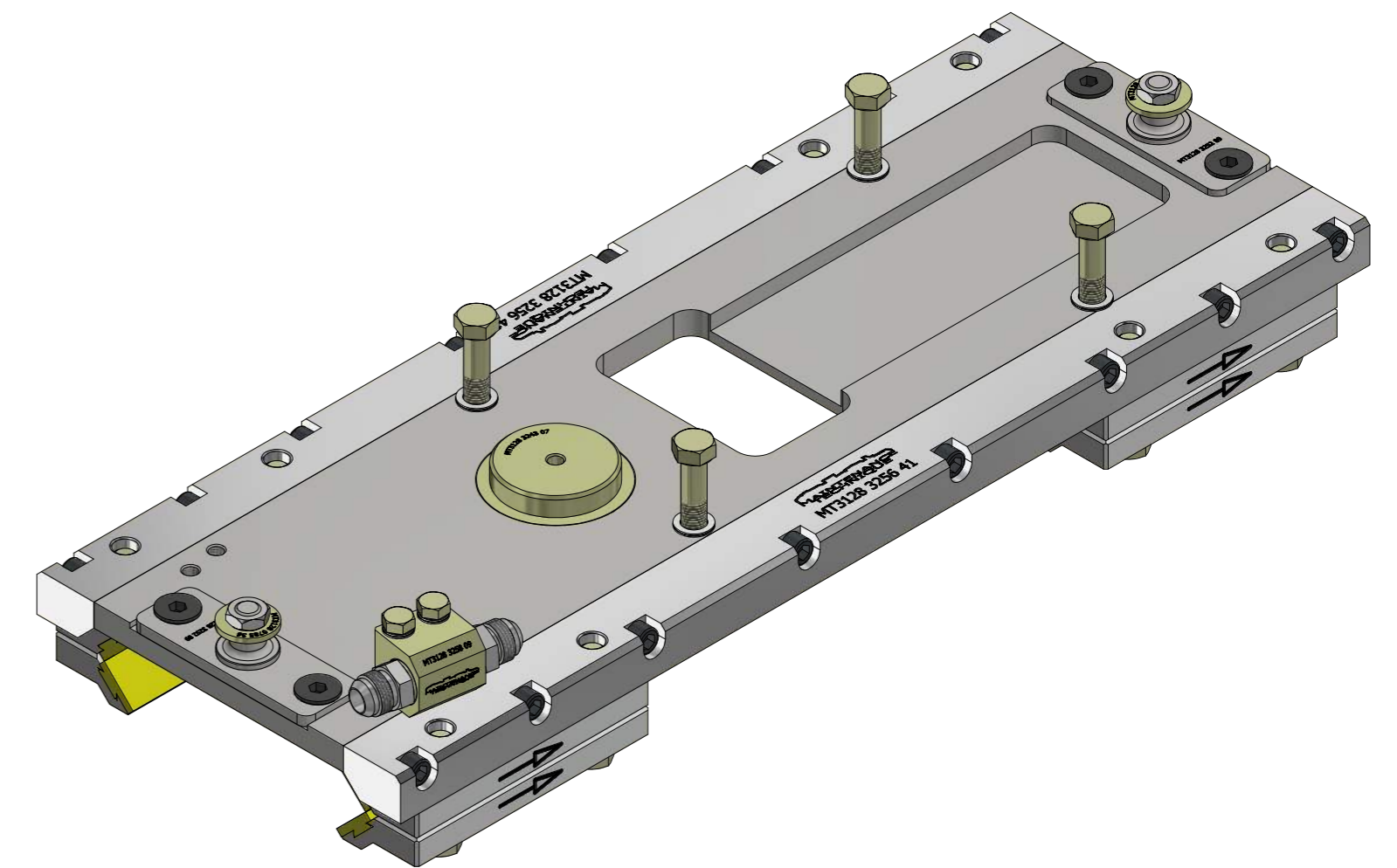
ITEM	PART NUMBER	DESCRIPTION	QTY	COMMENTS
1	MT3128 0007 81	HOSE TREE	1	
2	MT3128 0007 779	FITTINGS KIT	1	
3	MT3128 0008 61	HOSE TREE COVER	1	
4	MT3128 0007 801	SPACER	1	
5	MT3128 0007 791	FLANGE PLATE	1	INSIDE FEED BEAM
6.1	MT3128 3114 501	HOSE GUIDE LEFT	1	COMPLETE
6.2	MT3128 3114 512	HOSE GUIDE RIGHT	1	COMPLETE
7.1	MT3128 3114 481	LH HOSE GUIDE 5"	1	COMPLETE
7.2	MT3128 3114 482	RH HOSE GUIDE 5"	1	COMPLETE
8	MT3128 0007 80	SPACER PLATE	1	SET OF 2
9	MT3128 0007 79	FLANGE NUT	1	SET OF 4





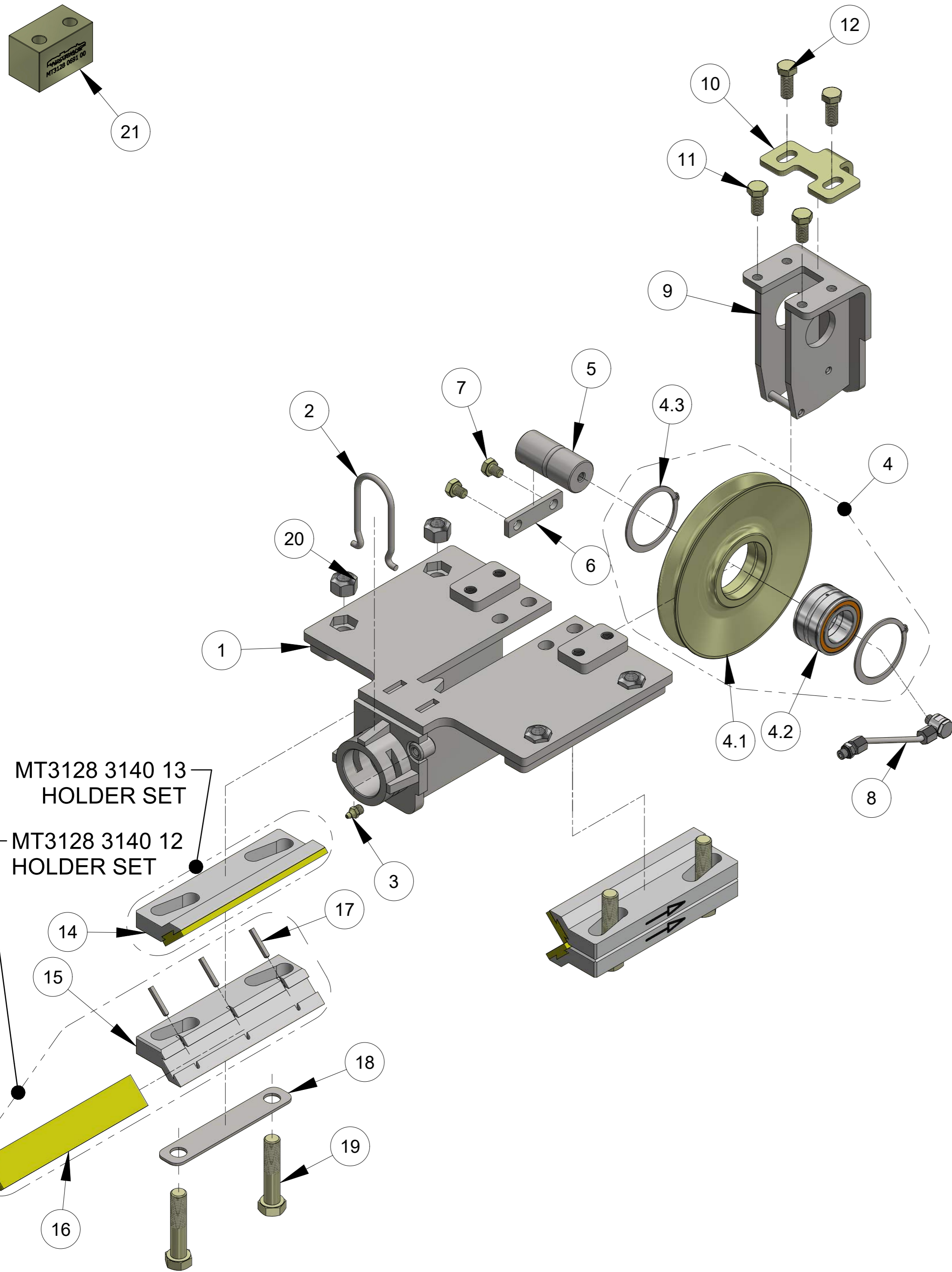
PART NUMBER	DESCRIPTION
MT3128 0007 818	HOSE TREE COMPLETE MD20
 	
MT Parts: 0407 059 610 1 Haesy Circuit, Roseworthy S.A. 5371 171 Dugan Street, Kalgoorlie W.A. 6430 parts@mtunderground.com www.mtunderground.com	
PAGE	4



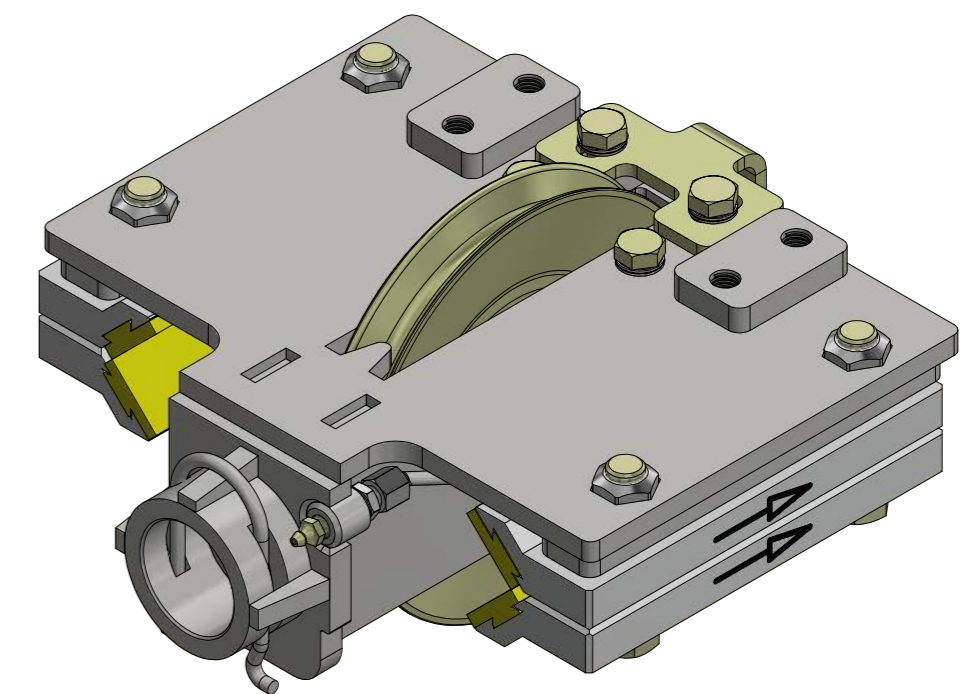
ITEM	PART NUMBER	DESCRIPTION	QTY	COMMENTS
1	MT3128 3256 41	CRADLE PLATE MD20	1	
2	MT3128 3243 07	DRIVER	1	
3	MT3128 3258 09	HOSE HOLDER	1	
4	MT3315 0195 14	LOCK WASHER	4	
5	MT0147 1483 03	BOLT	12	
6	MT1JG-12-08	BSP x JIC Nipple	2	
7	MT0147 1408 03	BOLT	2	
8	MT3315 0195 08	LOCK WASHER	2	
9	MT3128 0785 49	SLIDE HOLDER LH	4	
10	MT3128 0785 48	SLIDE HOLDER RH	4	
11	MT3128 3039 30	NYLON SLIDE SOFT	8	YELLOW
11.1	MT3128 3039 31	NYLON SLIDE MID	0	BLUE
11.2	MT3128 3074 88	NYLON SLIDE HARD	0	GREY
12	MT3128 0619 00	SLIDE KEY - JUMBO	24	
13	MT3128 3252 84	WASHER PLATE	4	
14	MT3128 3252 88	ATTACHMENT	2	
15	MT3128 3252 89	ATTACHMENT	1	
16	MT3128 0785 36	WASHER	1	
17	MT5750 5317 99	C/S CAP SCREW	2	
18	MT0261 2114 00	NUT	1	



PART NUMBER	DESCRIPTION	
MT3128 3256 40	CRADLE COMPLETE MD20	
 		MT Parts: 0407 059 610 1 Haesy Circuit, Roseworthy S.A. 5371 171 Dugan Street, Kalgoorlie W.A. 6430 parts@mtunderground.com www.mtunderground.com
		PAGE 5



ITEM	PART NUMBER	DESCRIPTION	QTY	COMMENTS
1	MT3128 0015 48	CRADLE PLATE	1	
2	MT3128 3249 92	SPRING LOCK	1	
3	MT0544 2162 00	GREASE NIPPLE	1	
4	MT3128 0785 348	PULLEY WHEEL COMPL.	1	
4.1	MT3128 0785 34	PULLEY WHEEL	1	
4.2	MT3128 0784 27	ROLLER BEARING	1	
4.3	MT0335 1152 00	EXTERNAL CIRCLIP	2	
5	MT3128 0481 00	SHAFT	1	
6	MT3128 0476 00	WASHER PLATE	1	
7	MT0147 1357 03	SCREW	2	
8	MT3128 3255 19	HOSE NIPPLE SET	1	
9	MT3128 3259 57	SCRAPER	1	
10	MT3128 0013 97	STRIKER PLATE	1	
11	MT0147 1400 03	SCREW	2	
12	MT0147 1217 50	SCREW	2	
13	MT3315 0195 08	LOCK WASHER	4	
14	MT3128 0785 49	SLIDE HOLDER LH	2	
15	MT3128 0785 48	SLIDE HOLDER RH	2	
16	MT3128 3039 30	NYLON SLIDE SOFT	4	YELLOW
16.1	MT3128 3039 31	NYLON SLIDE MID	0	BLUE
16.2	MT3128 3074 88	NYLON SLIDE HARD	0	GREY
17	MT3128 0619 00	SLIDE KEY	12	
18	MT3128 3252 84	WASHER PLATE	2	
19	MT0147 1484 03	BOLT	4	
20	MT0291 1128 25	LOCK NUT	4	
21	MT3128 0691 00	SPACER	1	



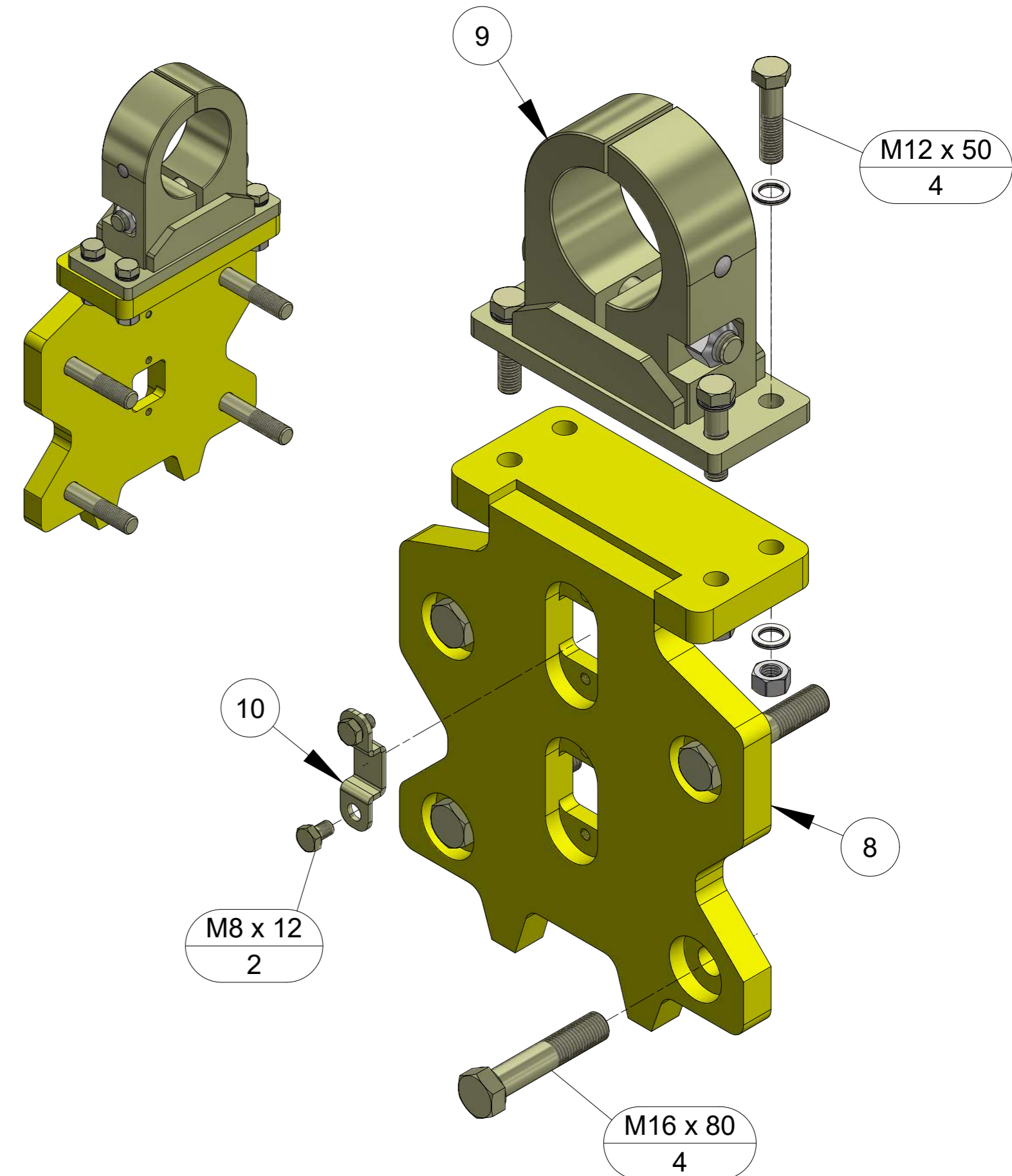
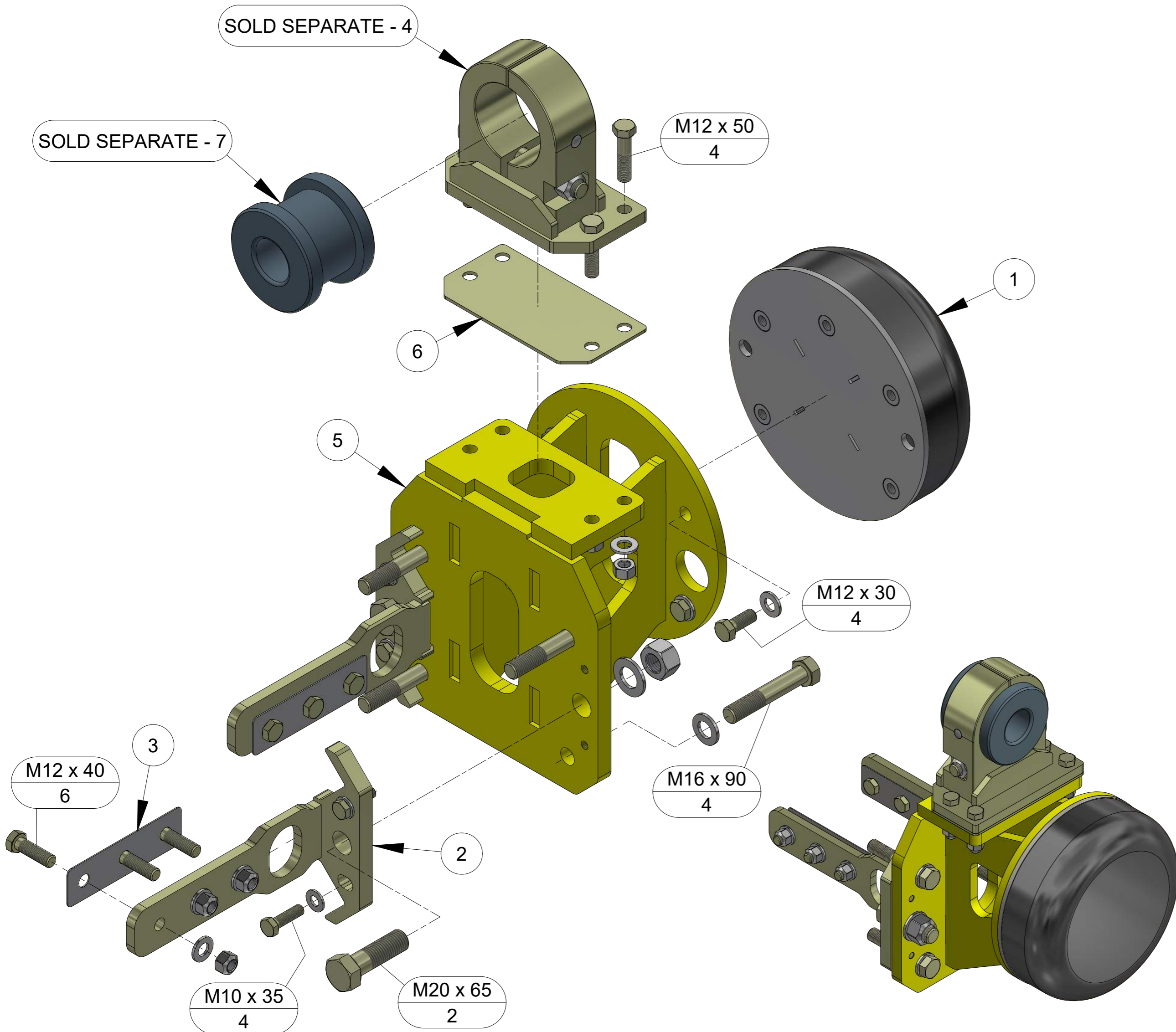
PART NUMBER	DESCRIPTION	MT Parts: 0407 059 610 1 Haesy Circuit, Roseworthy S.A. 5371 171 Dugan Street, Kalgoorlie W.A. 6430 parts@mtunderground.com www.mtunderground.com	PAGE 6
MT3128 0015 47	CRADLE SET		



MT3128 3182 608

MT3128 0013 91

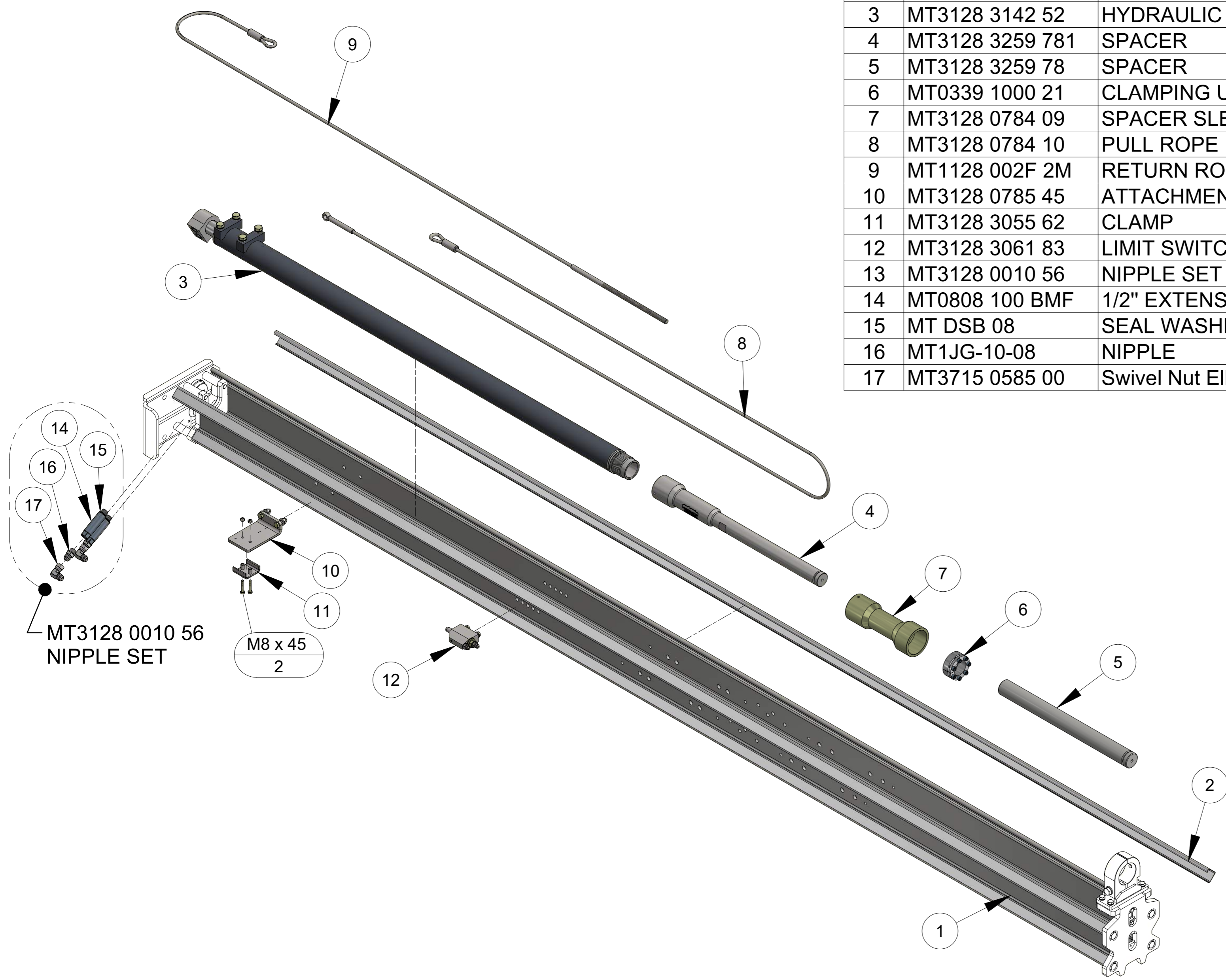
ITEM	PART NUMBER	DESCRIPTION	QTY	COMMENTS
1	MT3125 0634 00	BUFFER - FRONT	1	
2	MT3128 3065 42HD	ATTACHMENT BRACKET	2	
3	MT3128 3065 42W	WASHER	2	
4	MT3128 3155 77C	DRILL SUPPORT COMPL.	1	NOT INCL.
5	MT3128 3182 60	FEED BRACKET	1	INCL. 2 SPACERS
6	MT3128 3168 1S	SPACER	2	
7	MT3128 3155 78	BUSH - BORING	1	42mm DIA
7.1	MT3128 3155 065	BUSH - BOLTING	1	65mm DIA

ITEM	PART NUMBER	DESCRIPTION	QTY	COMMENTS
8	MT3128 0013 92	BRACKET	1	
9	MT3128 0021 19C	DRILL SUPPORT COMPL.	1	
10	MT3128 0021 72	PLATE	1	



PART NUMBER MT3128 0013 91	DESCRIPTION DRILL STEEL SUPPORT
PART NUMBER MT3128 3182 608	DESCRIPTION FEED BRACKET COMPLETE
 	
MT Parts: 0407 059 610 1 Haesy Circuit, Roseworthy S.A. 5371 171 Dugan Street, Kalgoorlie W.A. 6430 parts@mtunderground.com www.mtunderground.com	
PAGE	7

ITEM	PART NUMBER	DESCRIPTION	QTY	COMMENTS
1	MT3128 0014 61	UPPER FEED BEAM	1	BMHT 6716/10
2	MT3128 0458 02	SLIDE BAR	4	
3	MT3128 3142 52	HYDRAULIC CYLINDER	1	Supersedes MT3128 3257 24
4	MT3128 3259 781	SPACER	1	
5	MT3128 3259 78	SPACER	1	OEM 545.5 long
6	MT0339 1000 21	CLAMPING UNIT	1	OEM
7	MT3128 0784 09	SPACER SLEEVE	1	OEM
8	MT3128 0784 10	PULL ROPE	1	2840 long
9	MT1128 002F 2M	RETURN ROPE	1	2800 long
10	MT3128 0785 45	ATTACHMENT	1	
11	MT3128 3055 62	CLAMP	1	
12	MT3128 3061 83	LIMIT SWITCH	1	
13	MT3128 0010 56	NIPPLE SET	1	
14	MT0808 100 BMF	1/2" EXTENSION	2	
15	MT DSB 08	SEAL WASHER	2	
16	MT1JG-10-08	NIPPLE	2	
17	MT3715 0585 00	Swivel Nut Elbow 90°	2	

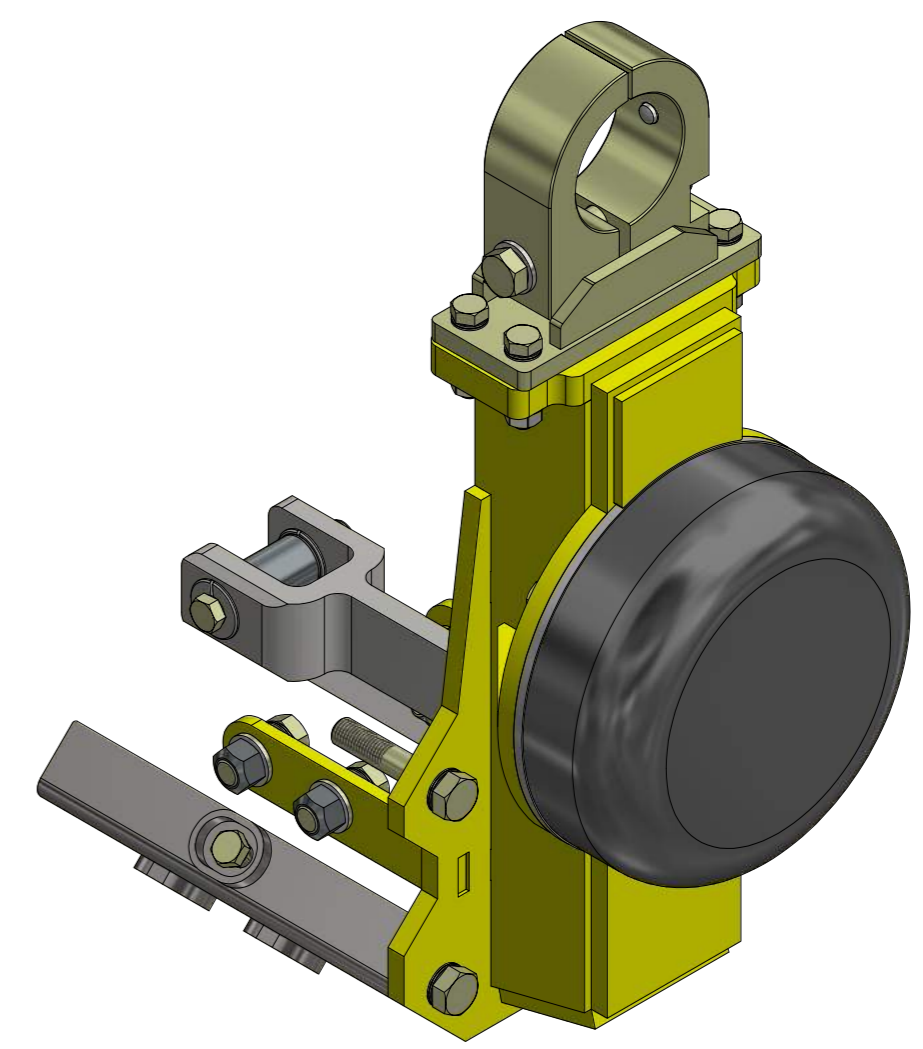
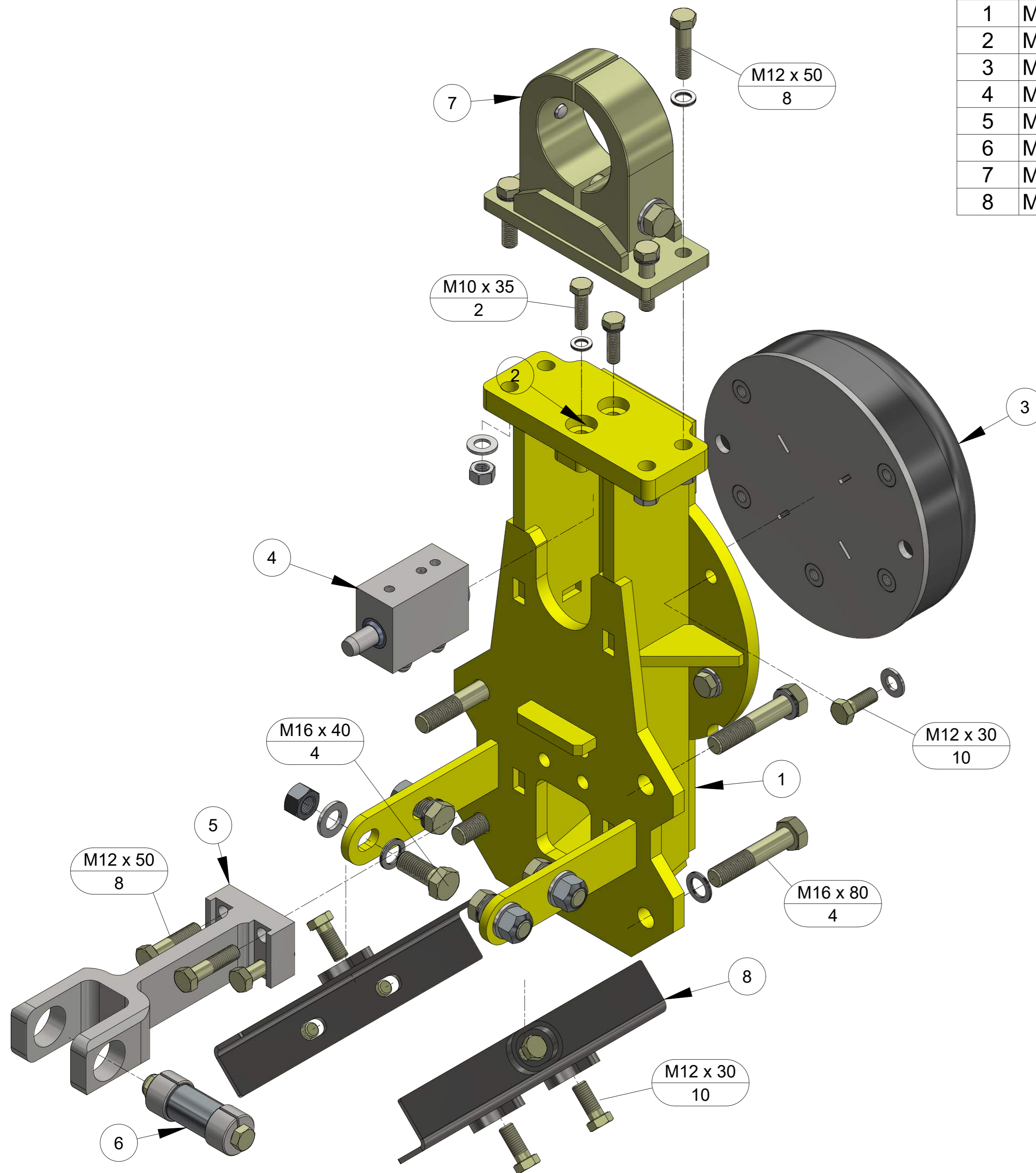


MT3128 0010 56
NIPPLE SET

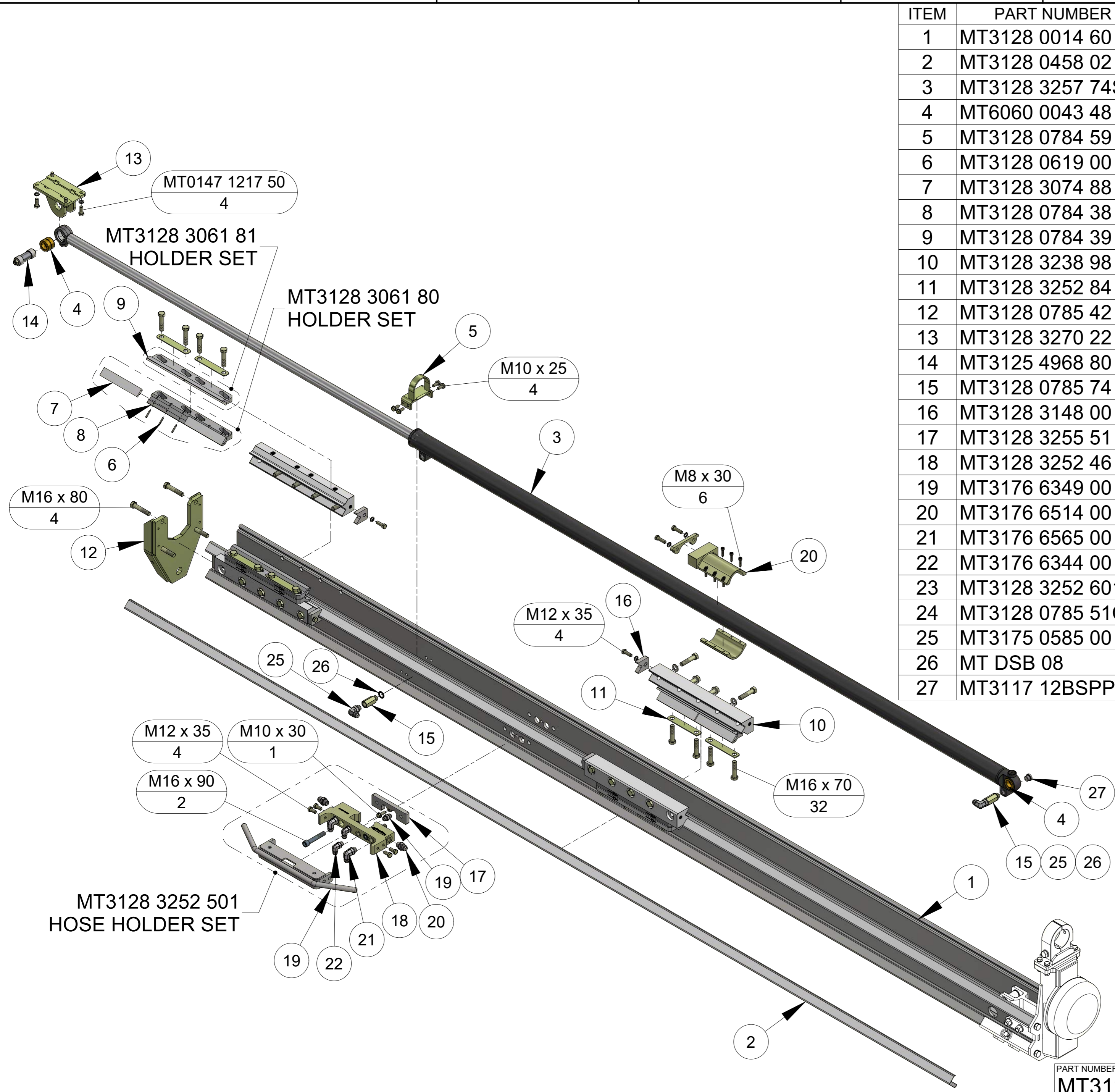
M8 x 45
2

PART NUMBER	DESCRIPTION	 	MT Parts: 0407 059 610 1 Haesy Circuit, Roseworthy S.A. 5371 171 Dugan Street, Kalgoorlie W.A. 6430 parts@mtunderground.com www.mtunderground.com	PAGE 8
MT3128 0014 618	UPPER FEED MD20			

ITEM	PART NUMBER	DESCRIPTION	QTY	COMMENTS
1	MT3128 0013 73	DRILL STEEL SUPPORT	1	
2	MT3128 0007 70	PLATE	1	
3	MT3125 0634 00	BUFFER - FRONT	1	
4	MT3128 0000 87	LIMIT SWITCH	1	
5	MT3128 0013 75	FORK	1	
6	MT3125 4968 80	EXPANDING SHAFT	1	
7	MT3128 0021 19C	DRILL SUPPORT COMPL.	1	
8	MT3128 3270 14	PROTECTION	2	





PART NUMBER	MT3128 0013 74	DESCRIPTION	DRILL STEEL SUPPORT
			MT Parts: 0407 059 610 1 Haesy Circuit, Roseworthy S.A. 5371 171 Dugan Street, Kalgoorlie W.A. 6430 parts@mtunderground.com www.mtunderground.com
			PAGE 9



ITEM	PART NUMBER	DESCRIPTION	QTY	COMMENTS
1	MT3128 0014 60	LOWER FEED BEAM	1	BMHT6716/10
2	MT3128 0458 02	SLIDE BAR	4	
3	MT3128 3257 74SX	LOWER FEED CYLINDER	1	
4	MT6060 0043 48	BUSH	2	
5	MT3128 0784 59	CLAMP	1	
6	MT3128 0619 00	SLIDE KEY - JUMBO	48	
7	MT3128 3074 88	NYLON SLIDE HARD	16	GREY
8	MT3128 0784 38	SLIDE HOLDER LONG RH	4	
9	MT3128 0784 39	SLIDE HOLDER LONG LH	4	
10	MT3128 3238 98	HOLDER	4	
11	MT3128 3252 84	WASHER PLATE	8	
12	MT3128 0785 42	GABLE PLATE	1	
13	MT3128 3270 22	CYLINDER BRACKET	1	
14	MT3125 4968 80	EXPANDING SHAFT	1	
15	MT3128 0785 74	EXTENSION 1/2" BSPP	2	
16	MT3128 3148 00	HOLDER END PLATE	4	
17	MT3128 3255 51	PLATE	1	
18	MT3128 3252 46	NIPPLE BLOCK	1	
19	MT3176 6349 00	BSPP x JIC Nipple	2	
20	MT3176 6514 00	BSPP x JIC Nipple	2	
21	MT3176 6565 00	BSPP x JIC Elbow 90°	2	
22	MT3176 6344 00	BSPP x JIC Elbow 90°	2	
23	MT3128 3252 601	ATTACHMENT	1	
24	MT3128 0785 51C	FEED STOP CLAMP	1	
25	MT3175 0585 00	ELBOW 90° BPM-JIM	2	
26	MT DSB 08	SEAL WASHER	2	
27	MT3117 12BSPP	SOCKET PLUG	1	

MT3128 3252 501
HOSE HOLDER SET

PART NUMBER MT3128 0014 608	DESCRIPTION LOWER FEED MD20
	
	
MT Parts: 0407 059 610 1 Haesy Circuit, Roseworthy S.A. 5371 171 Dugan Street, Kalgoorlie W.A. 6430 parts@mtunderground.com www.mtunderground.com	
PAGE	10