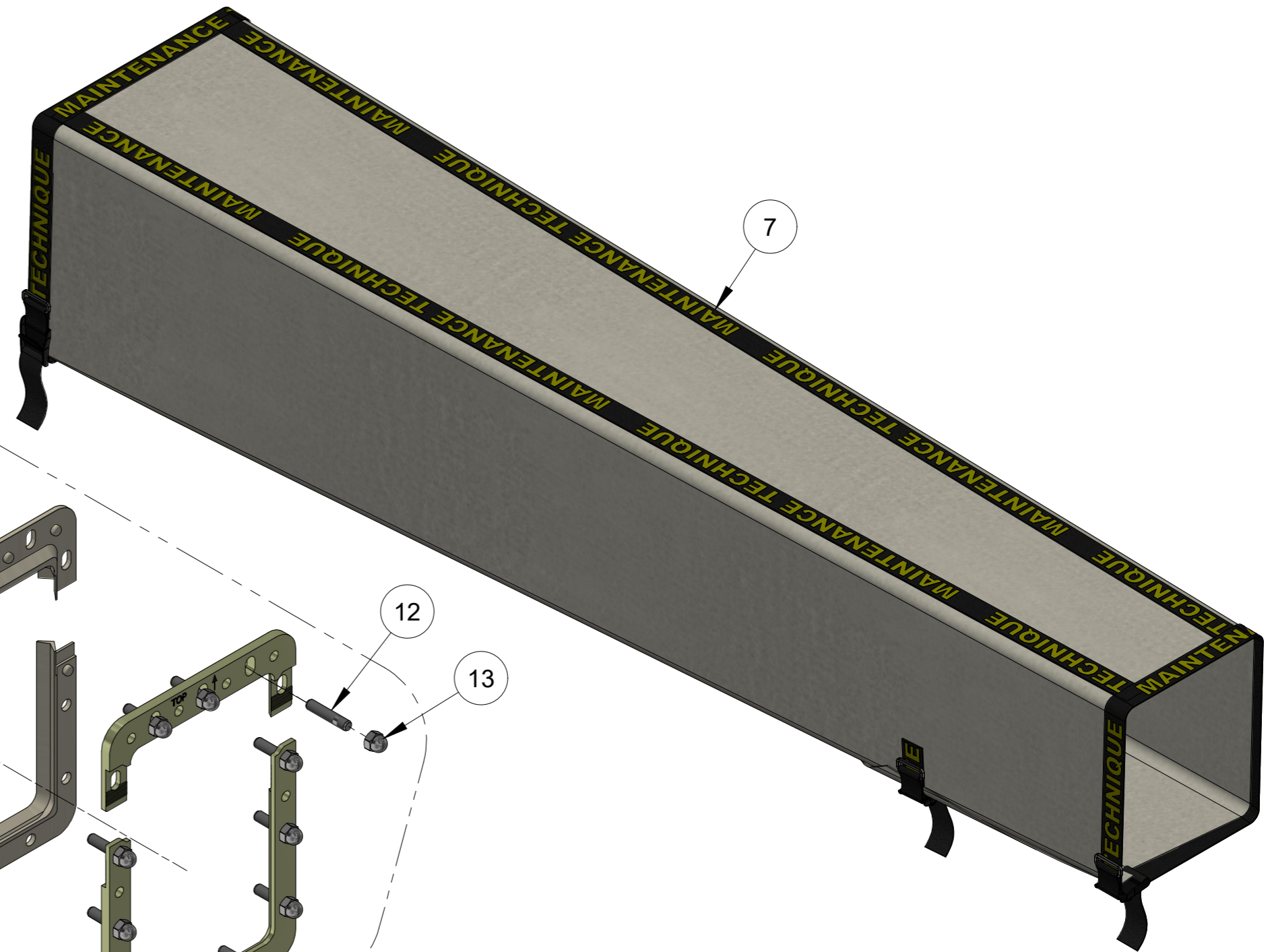
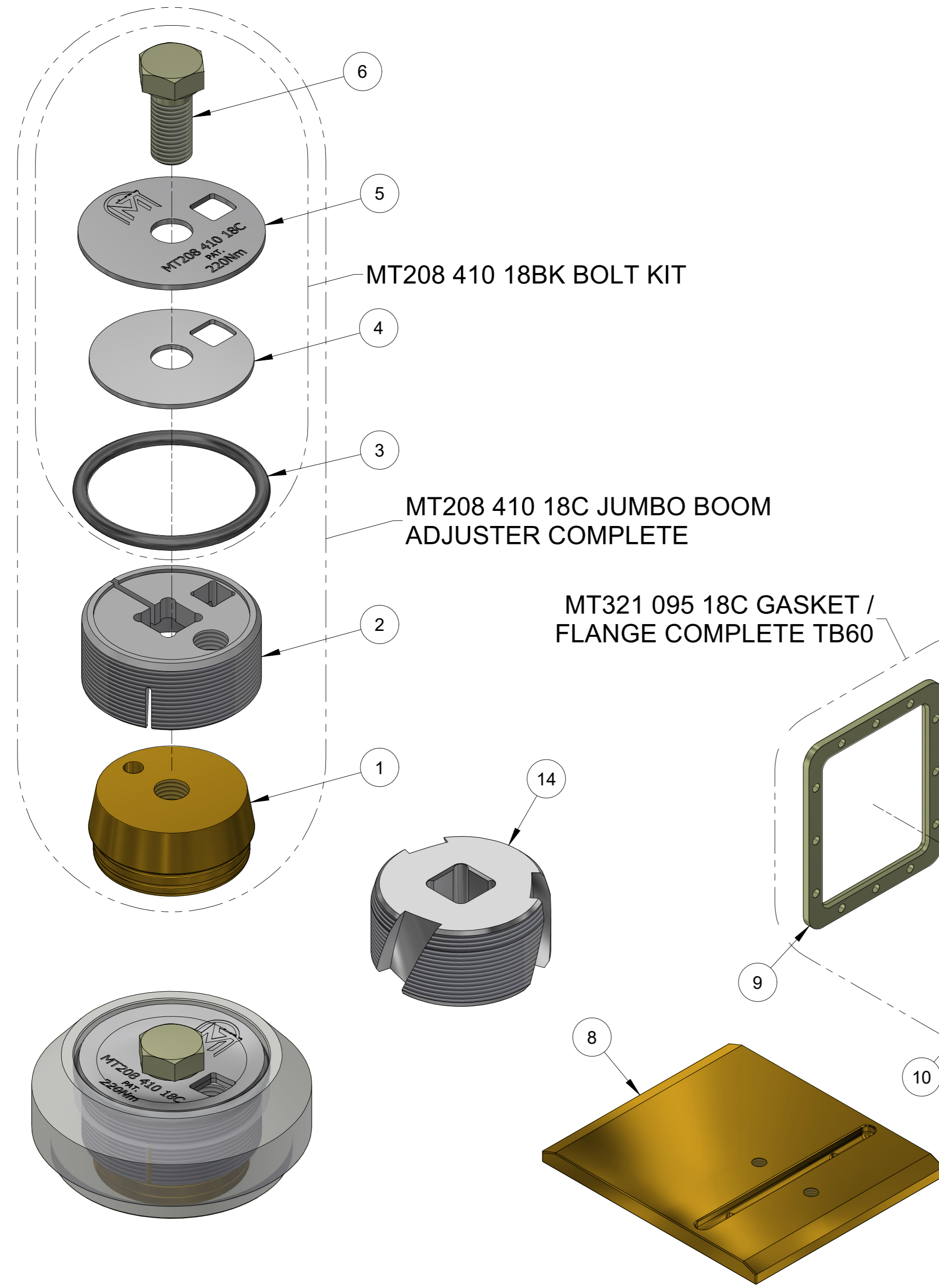


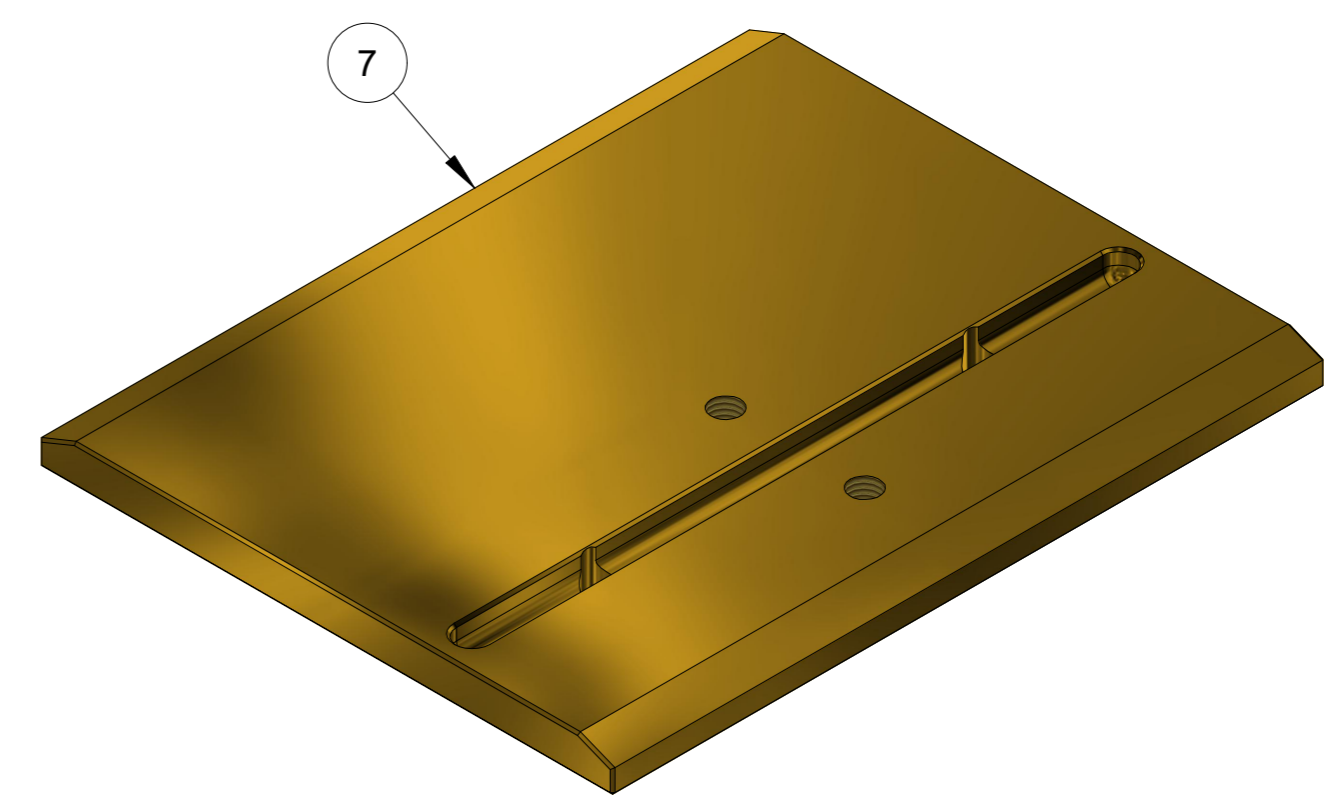
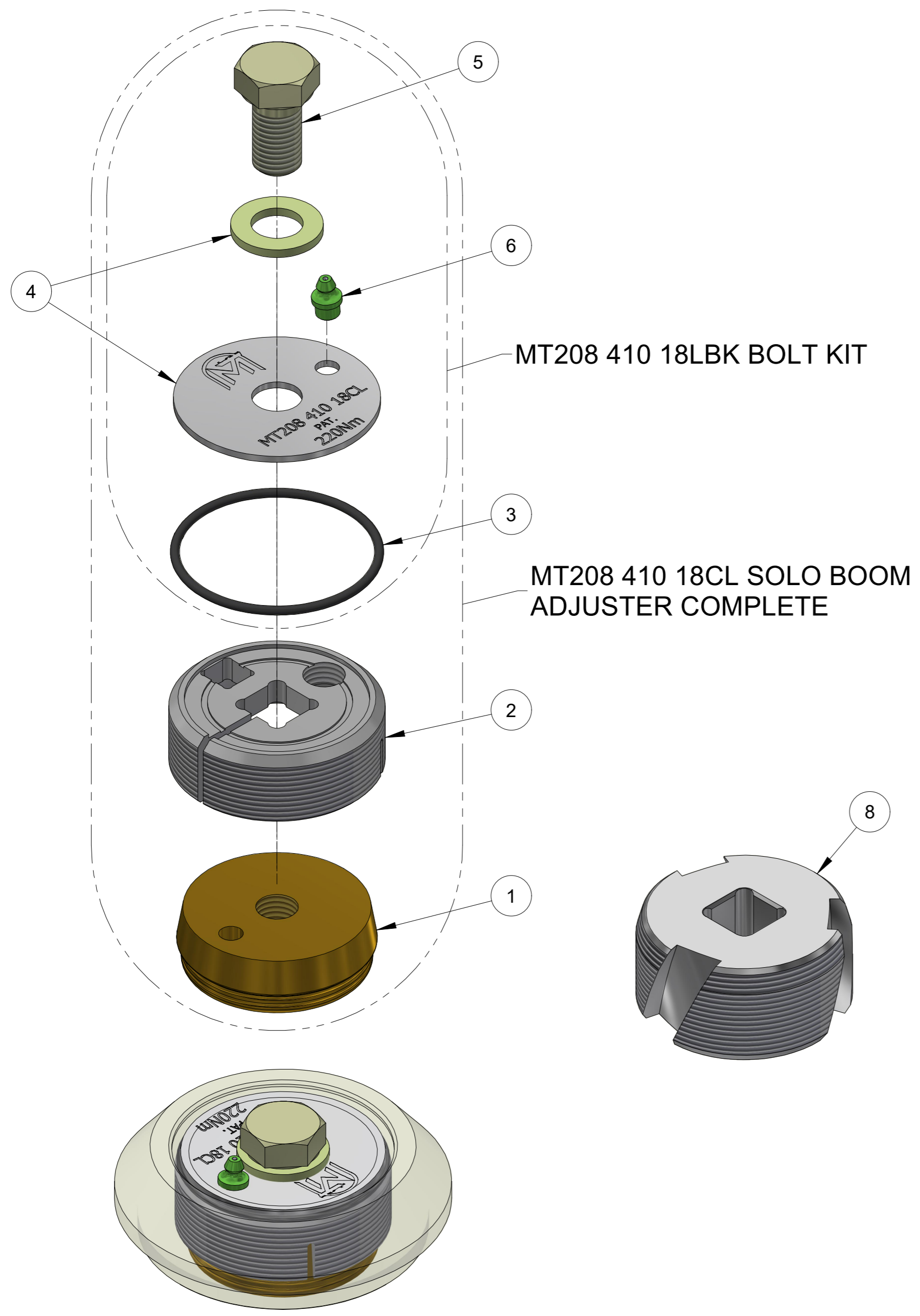
ITEM	PART NUMBER	DESCRIPTION	QTY	COMMENTS
1	MT208 410 18W	WEAR PIECE	14	
2	MT207 825 68A	ADJUSTING SCREW	14	
3	MT800 805 39	O-RING	14	
4	MT207 825 68WB	WASHER - BOTTOM	14	
5	MT207 825 68WT	WASHER - TOP	14	
6	MT207 825 68B	BOLT - M16x35	14	
7	MT208 TB60 12	TUBE COVER TB60	1	
8	MT265 096 88	SLIDE PLATE	2	
9	MT321 095 18	FLANGE	0	Option
10	MT321 075 08G	WIPER - SPLIT	0	Option
11	MT321 095 180	FLANGE - SPLIT	0	Option
12	MT10M 50M ES	STUD	0	Option
13	MT10M G30 4D	NUT	0	Option
14	MT208 410 18T	THREAD TOOL 70MM	0	Option



NOTE: MT208 410 1860 INCLUDES 14 x BUTTONS
2 x SLIDE PLATES AND 1 x TUBE COVER

PART NUMBER MT208 410 1860	DESCRIPTION WEAR KIT JUMBO BOOM
MT Parts: 0407 059 610 1 Haesy Circuit, Roseworthy S.A. 5371 171 Dugan Street, Kalgoorlie W.A. 6430 parts@mtunderground.com www.mtunderground.com	
PAGE 1	

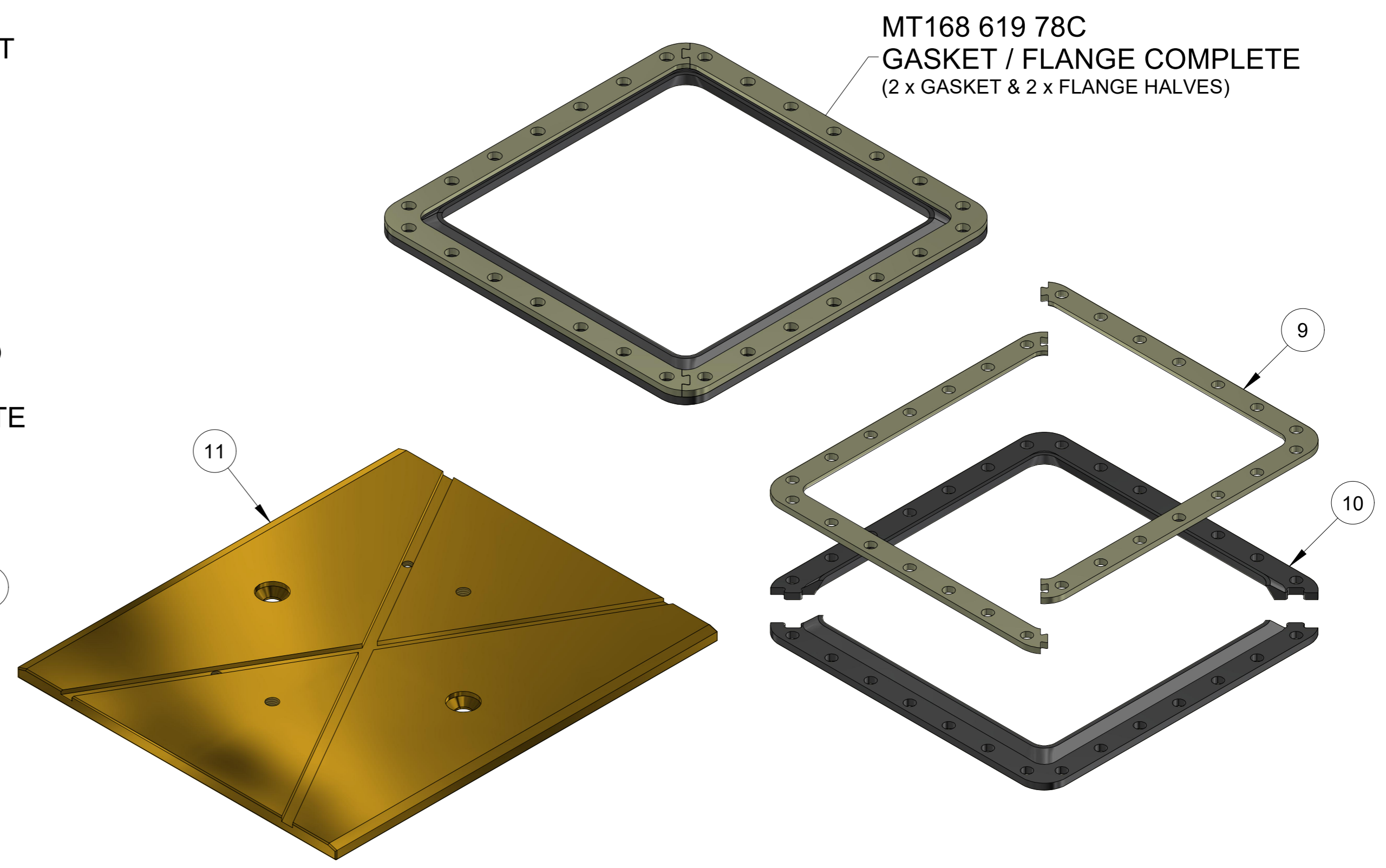
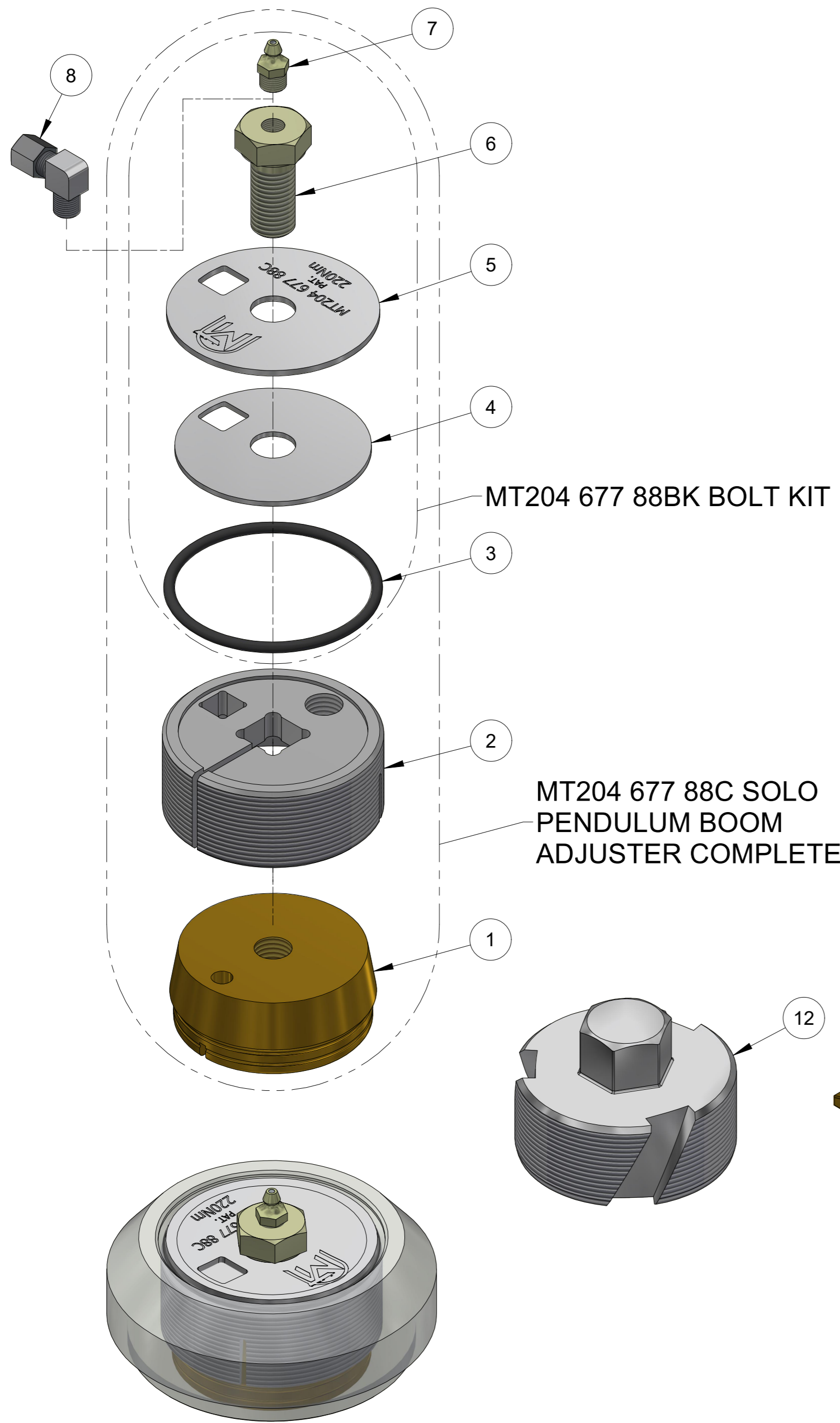
ITEM	PART NUMBER	DESCRIPTION	QTY	COMMENTS
1	MT208 410 18L	WEAR PIECE	12	
2	MT207 825 68L	ADJUSTING SCREW	12	
3	MT207 824 38LR	O-RING	12	
4	MT208 410 18LWT	WASHER SET	12	
5	MT208 410 18LB	BOLT - M16x30	12	
6	MT0544 2162 18P	GREASE NIPPLE	12	
7	MT265 287 58	SLIDE PLATE	2	
8	MT208 410 18T	THREAD TOOL 70MM	0	Option



NOTE: MT208 410 1860L INCLUDES 12 x BUTTONS AND 2 x SLIDE PLATES

PART NUMBER MT208 410 1860L	DESCRIPTION WEAR KIT SOLO BOOM
 	
MT Parts: 0407 059 610 1 Haesy Circuit, Roseworthy S.A. 5371 171 Dugan Street, Kalgoorlie W.A. 6430 parts@mtunderground.com <small>PAGE</small> www.mtunderground.com 2	

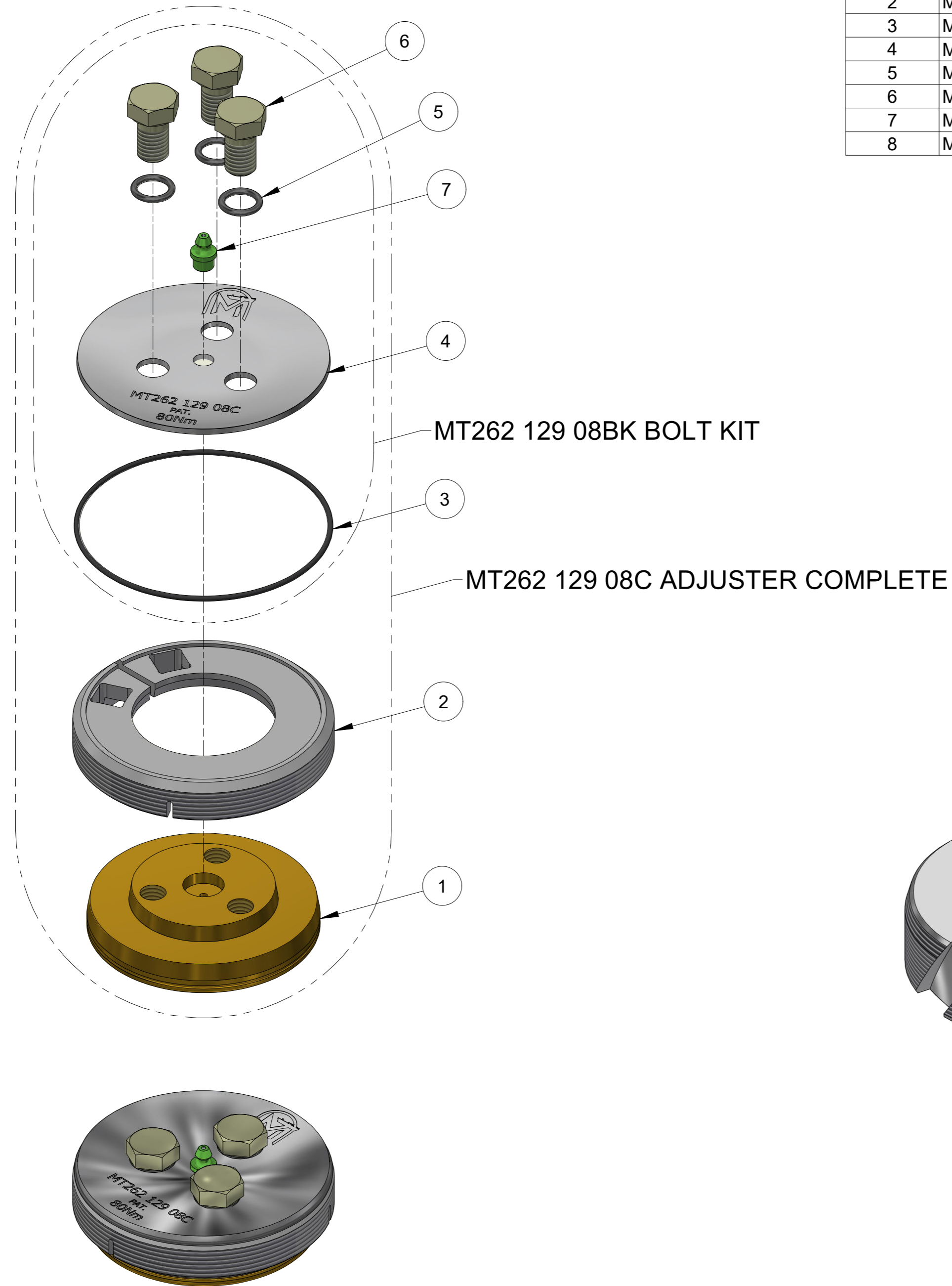
ITEM	PART NUMBER	DESCRIPTION	QTY	COMMENTS
1	MT204 677 88W	WEAR PIECE	12	
2	MT204 676 58A	ADJUSTING SCREW	12	
3	MT522 166 70	O-RING	12	
4	MT204 677 88WB	WASHER - BOTTOM	12	
5	MT204 677 88WT	WASHER - TOP	12	
6	MT204 677 88B	BOLT	12	
7	MT0544 2162 00	GREASE NIPPLE	12	
8	MT0580 2202 00	COUPLING 90°	0	Option
9	MT168 619 78	FLANGE HALF	2	
10	MT168 614 38	GASKET HALF	2	
11	MT261 081 08	SLIDE PLATE	2	
12	MT204 677 88T	THREAD TOOL 80MM	0	Option



NOTE: MT204 677 GFB INCLUDES 12 x BUTTONS
1 x GASKET / FLANGE COMPLETE AND 2 x SLIDE PLATES

PART NUMBER MT204 677 GFB	DESCRIPTION WEAR KIT SOLO PENDULUM
	
MT Parts: 0407 059 610 1 Haesy Circuit, Roseworthy S.A. 5371 171 Dugan Street, Kalgoorlie W.A. 6430 parts@mtunderground.com www.mtunderground.com	
PAGE 3	

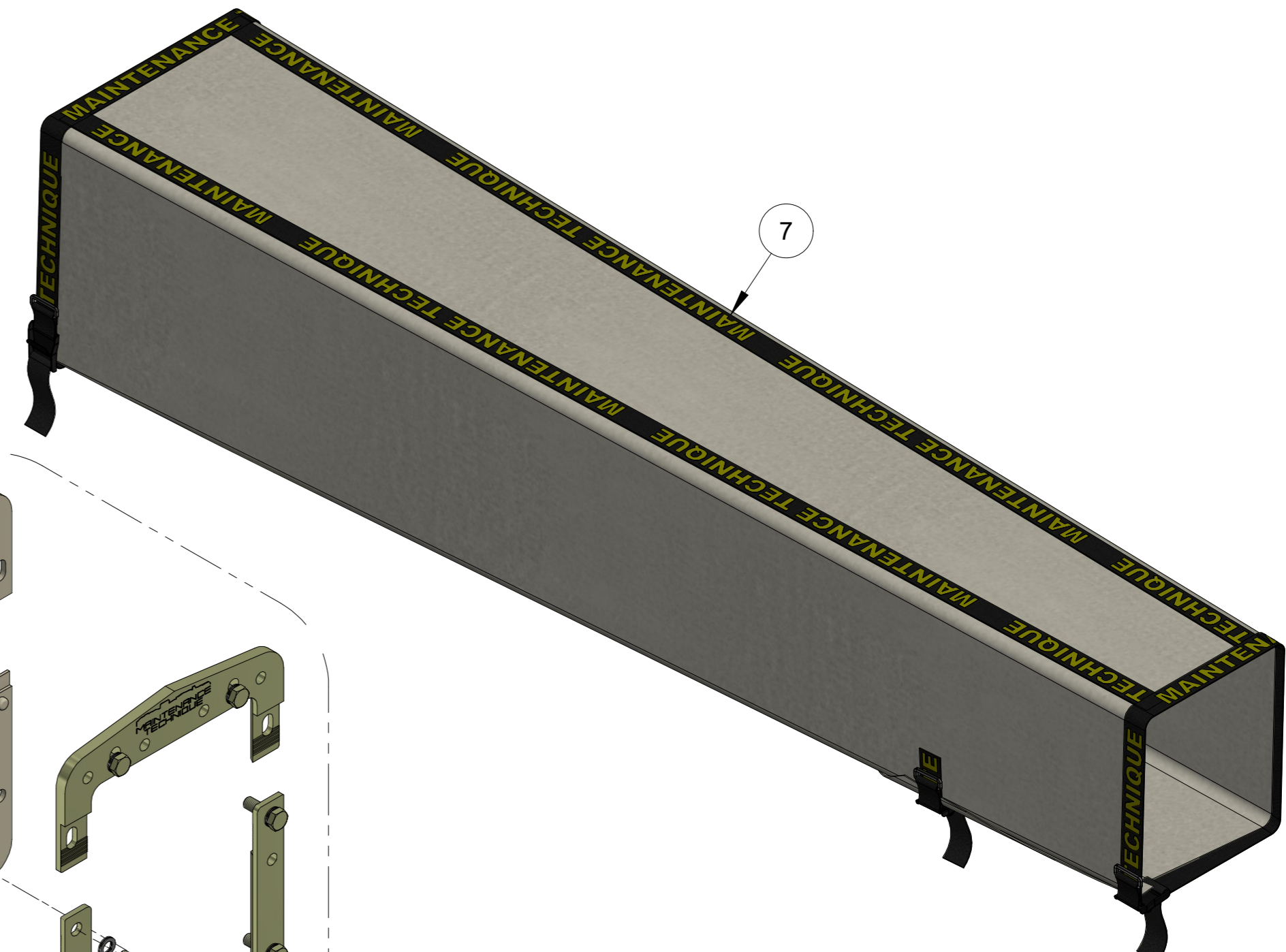
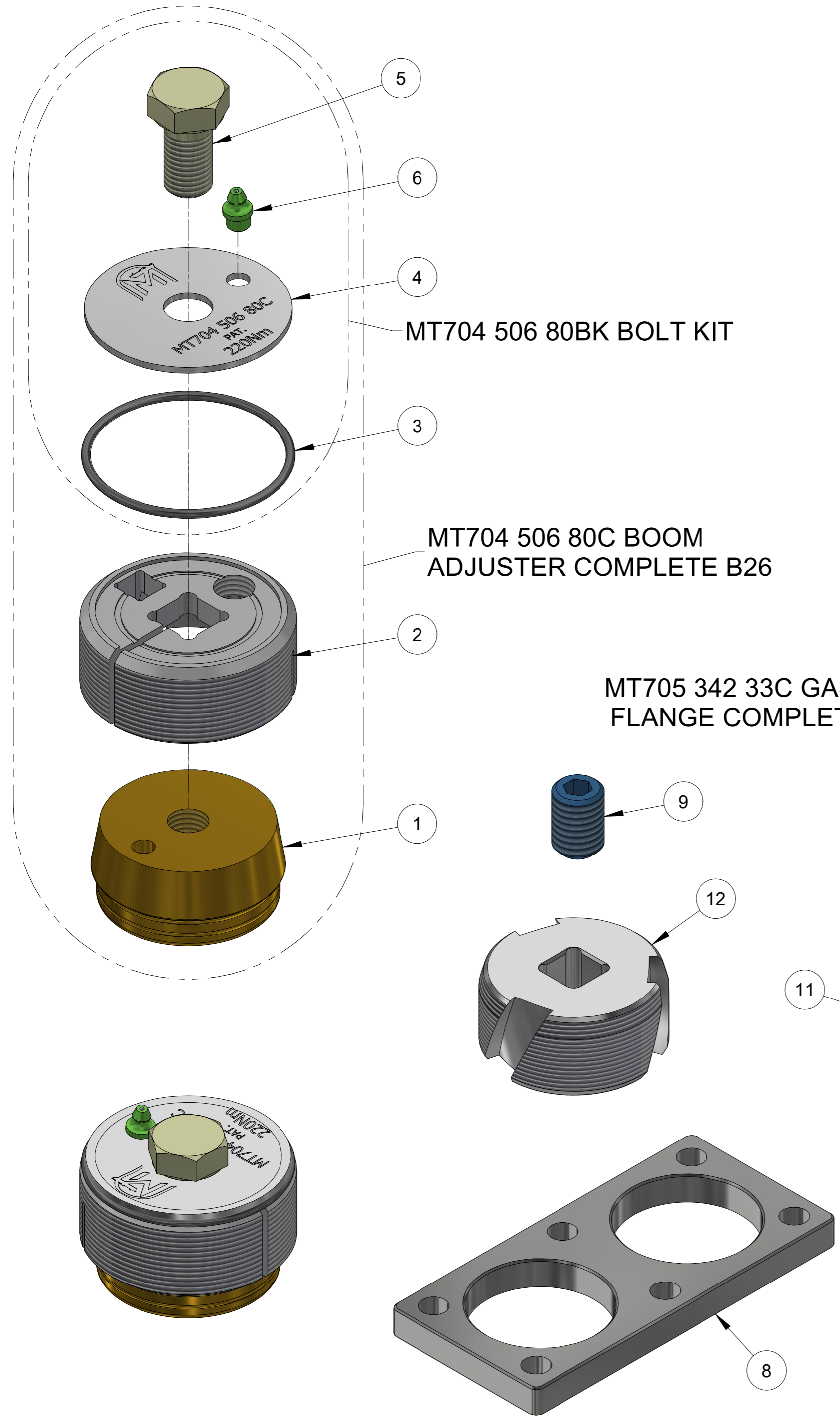
ITEM	PART NUMBER	DESCRIPTION	QTY	COMMENTS
1	MT262 129 08W	WEAR PIECE	8	
2	MT262 130 68A	ADJUSTING SCREW	8	
3	MT262 129 08R	O-RING	8	
4	MT205 722 38	WASHER	8	
5	MT205 722 38R	O-RING	24	
6	MT262 129 08B	BOLT - M12x20	24	
7	MT0544 2162 18P	GREASE NIPPLE	8	
8	MT262 129 08T	THREAD TOOL 100MM	0	Option



NOTE: MT262 129 08K8 INCLUDES 8 x BUTTONS COMPLETE

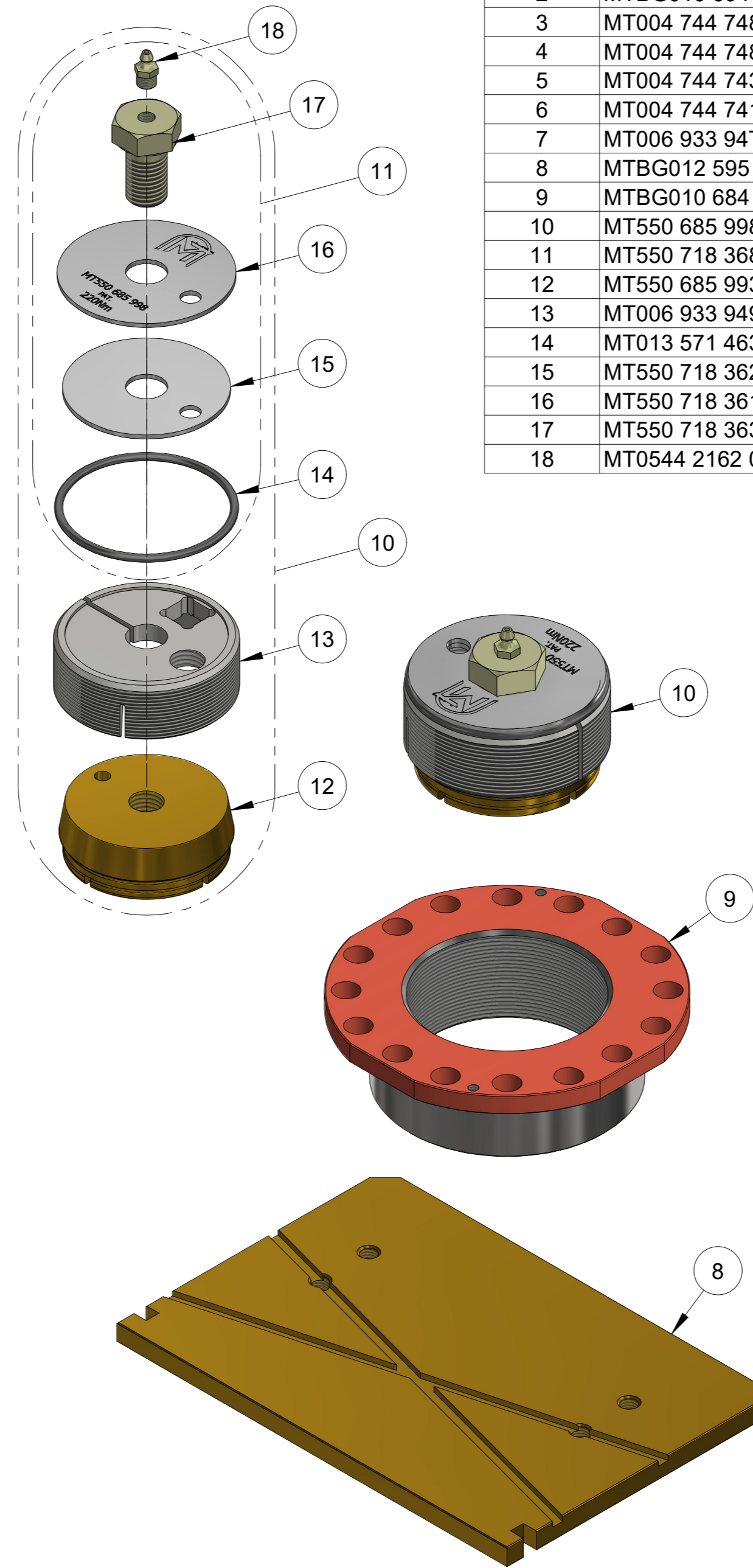
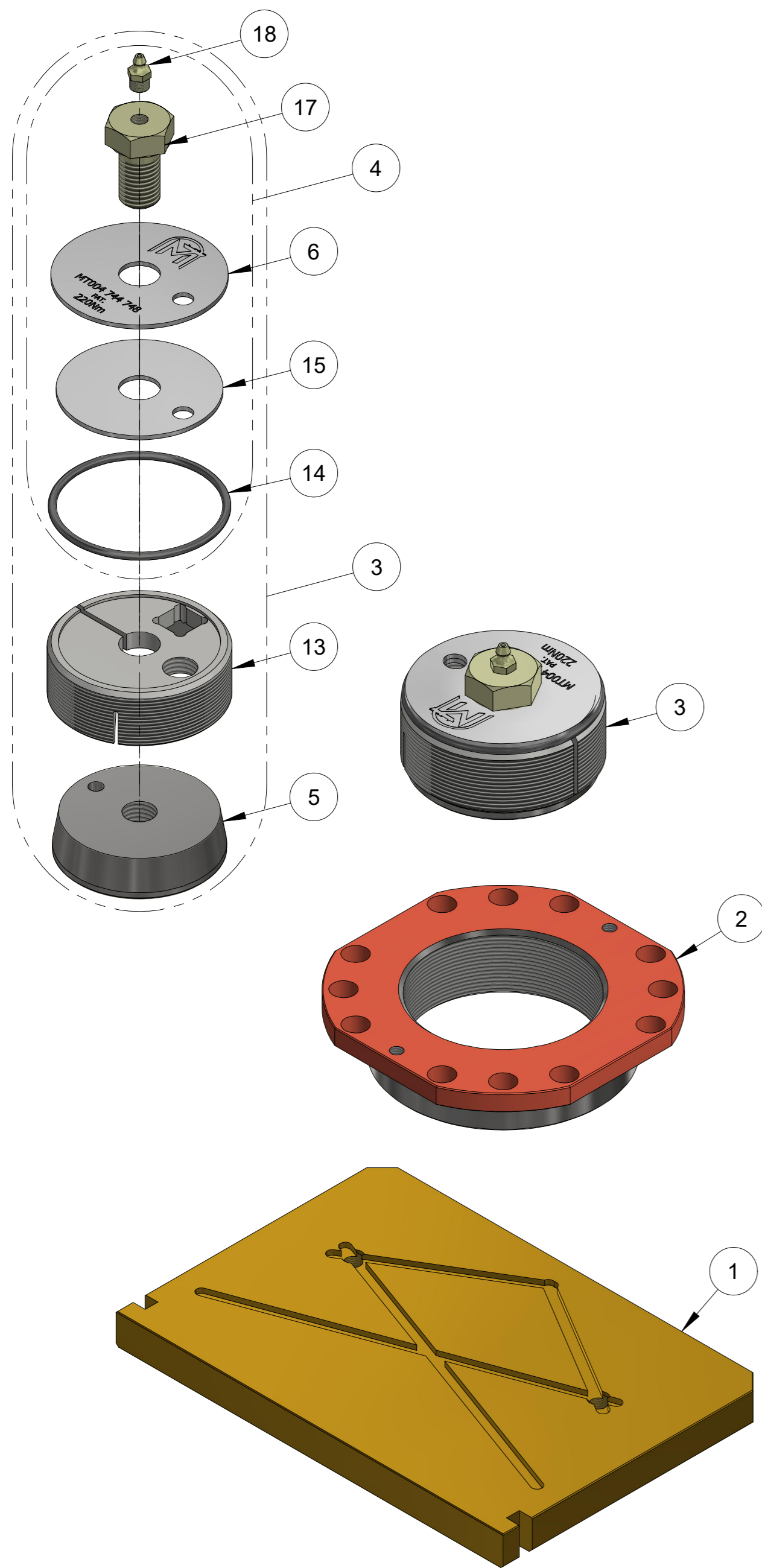
PART NUMBER MT262 129 08K8	DESCRIPTION WEAR KIT SOLO STINGER
	<p>MT Parts: 0407 059 610 1 Hahey Circuit, Roseworthy S.A. 5371 171 Dugan Street, Kalgoorlie W.A. 6430</p> <p>parts@mtunderground.com www.mtunderground.com</p>
	
PAGE 4	

ITEM	PART NUMBER	DESCRIPTION	QTY	COMMENTS
1	MT208 410 18W	WEAR PIECE JUMBO	16	
2	MT704 506 80A	ADJUSTING SCREW	16	
3	MT704 506 80R	O-RING	16	
4	MT704 506 80W	WASHER	16	
5	MT208 410 18LB	BOLT - M16x30	16	
6	MT0544 2162 18P	GREASE NIPPLE	16	
7	MT704 B26 18	TUBE COVER TB60	1	
8	MT704 506 80P	PROTECTION PLATE	0	Option
9	MT704 506 80G	BLANKING SET SCREW - M14x20	0	Option
10	MT705 342 330	FLANGE - SPLIT	0	Option
11	MT704 103 17G	WIPER - SPLIT	0	Option
12	MT704 506 80T	THREAD TOOL 72MM	0	Option



NOTE: MT704 506 B26 INCLUDES 16 x BUTTONS AND 1 x TUBE COVER

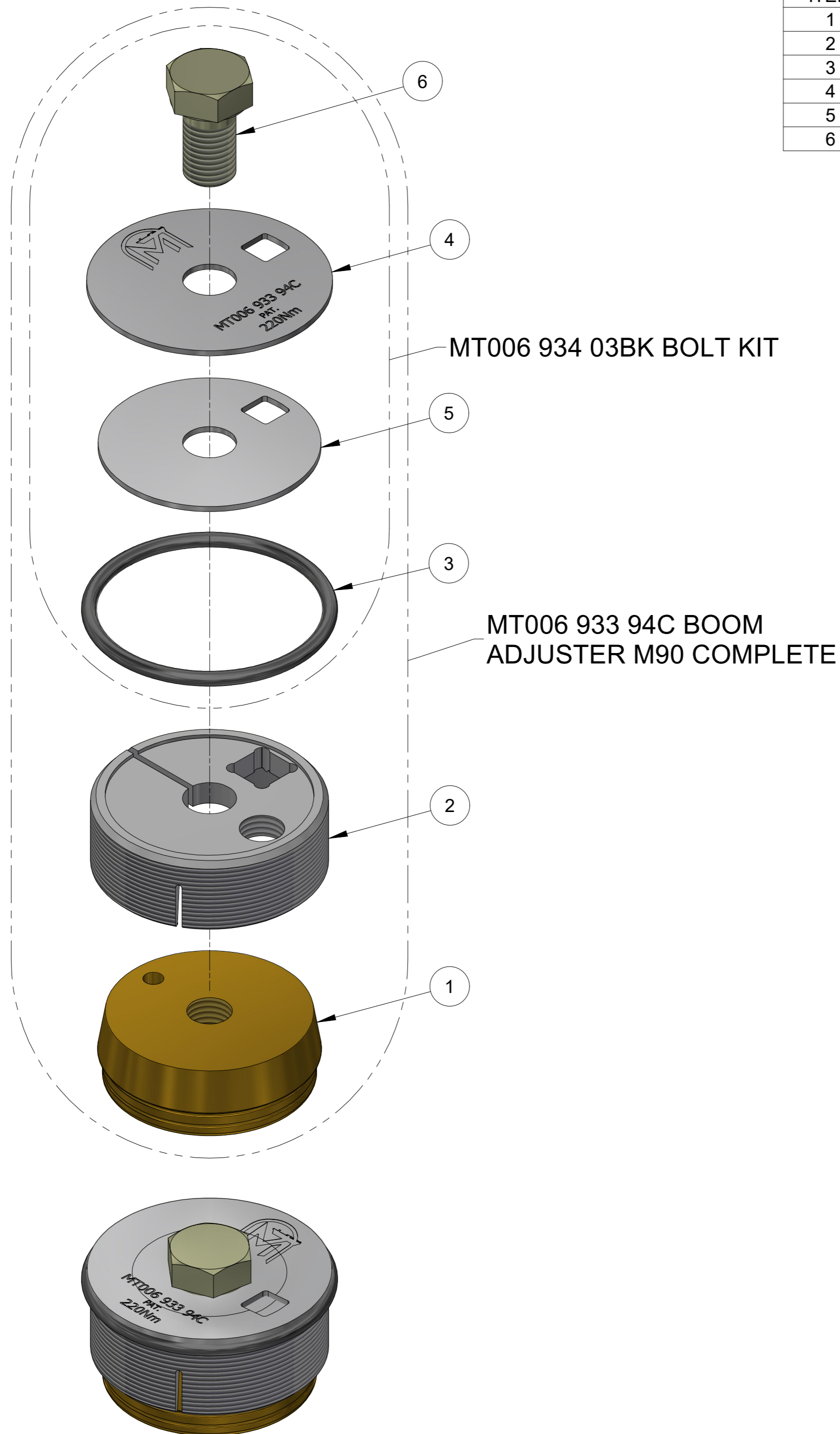
PART NUMBER MT704 506 B26	DESCRIPTION WEAR KIT B26 BOOM
 	
MT Parts: 0407 059 610 1 Haehy Circuit, Roseworthy S.A. 5371 171 Dugan Street, Kalgoorlie W.A. 6430 parts@mtunderground.com www.mtunderground.com	
PAGE	5



ITEM	PART NUMBER	DESCRIPTION	QTY	COMMENTS
1	MTBG012 595 11	SLIPPER PAD	2	
2	MTBG010 694 01	SLEEVE	0	Option - 4 reqd. per machine
3	MT004 744 748	ADJUSTER - WEAR PLATE - SOLO M90	4	
4	MT004 744 748	BOLT KIT	0	
5	MT004 744 743	ADJUSTING PIECE	0	
6	MT004 744 741	WASHER - TOP	0	
7	MT006 933 94T	THREAD TOOL 90MM	0	Option
8	MTBG012 595 12	SLIPPER PAD	2	
9	MTBG010 684 03	SLEEVE	0	Option - 8 reqd. per machine
10	MT550 685 998	ADJUSTER - SOLO PENDULUM M90	8	
11	MT550 718 368	BOLT KIT	0	
12	MT550 685 993	WEAR PIECE	0	
13	MT006 933 949	ADJUSTING SCREW M90	0	
14	MT013 571 463	O-RING	0	
15	MT550 718 362	WASHER - BOTTOM	0	
16	MT550 718 361	WASHER - TOP	0	
17	MT550 718 363	BOLT	0	
18	MT0544 2162 00	GREASE NIPPLE	0	

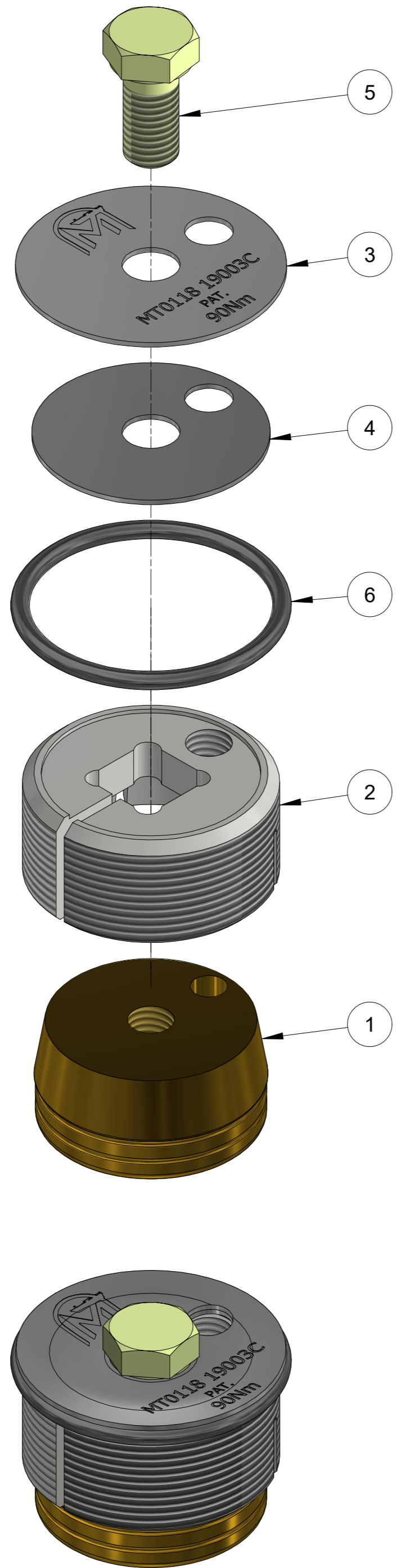
PART NUMBER	DESCRIPTION
MTBG012 595 118	WEAR KIT DL422 M90
 	
MT Parts: 0407 059 610 1 Haehy Circuit, Roseworthy S.A. 5371 171 Dugan Street, Kalgoorlie W.A. 6430 parts@mtunderground.com <small>PAGE</small> www.mtunderground.com	
6	

ITEM	PART NUMBER	DESCRIPTION	QTY	COMMENTS
1	MT006 933 829	WEAR PIECE M90	14	
2	MT006 933 949	ADJUSTING SCREW M90	14	
3	MT800 120 299	O-RING	14	
4	MT006 934 031	WASHER - TOP	14	
5	MT006 934 032	WASHER - BOTTOM	14	
6	MT006 934 039	BOLT	14	

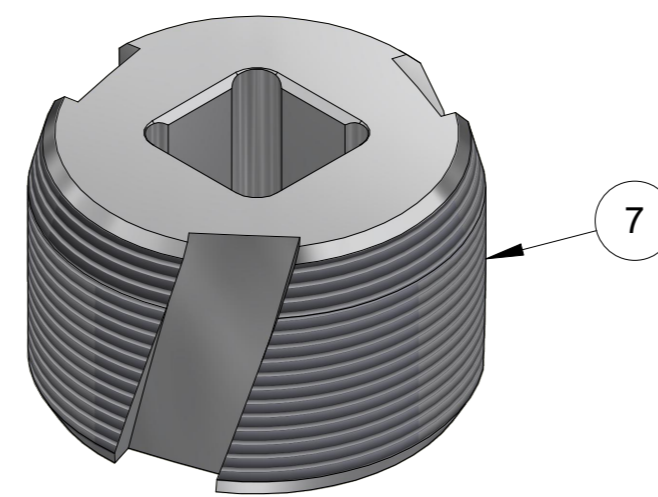




NOTE: MT006 933 9490 INCLUDES 14 x BUTTONS COMPLETE

PART NUMBER MT006 933 9490	DESCRIPTION WEAR KIT M90 BOOM
 	
MT Parts: 0407 059 610 1 Haesy Circuit, Roseworthy S.A. 5371 171 Dugan Street, Kalgoorlie W.A. 6430 parts@mtunderground.com www.mtunderground.com	
PAGE	7

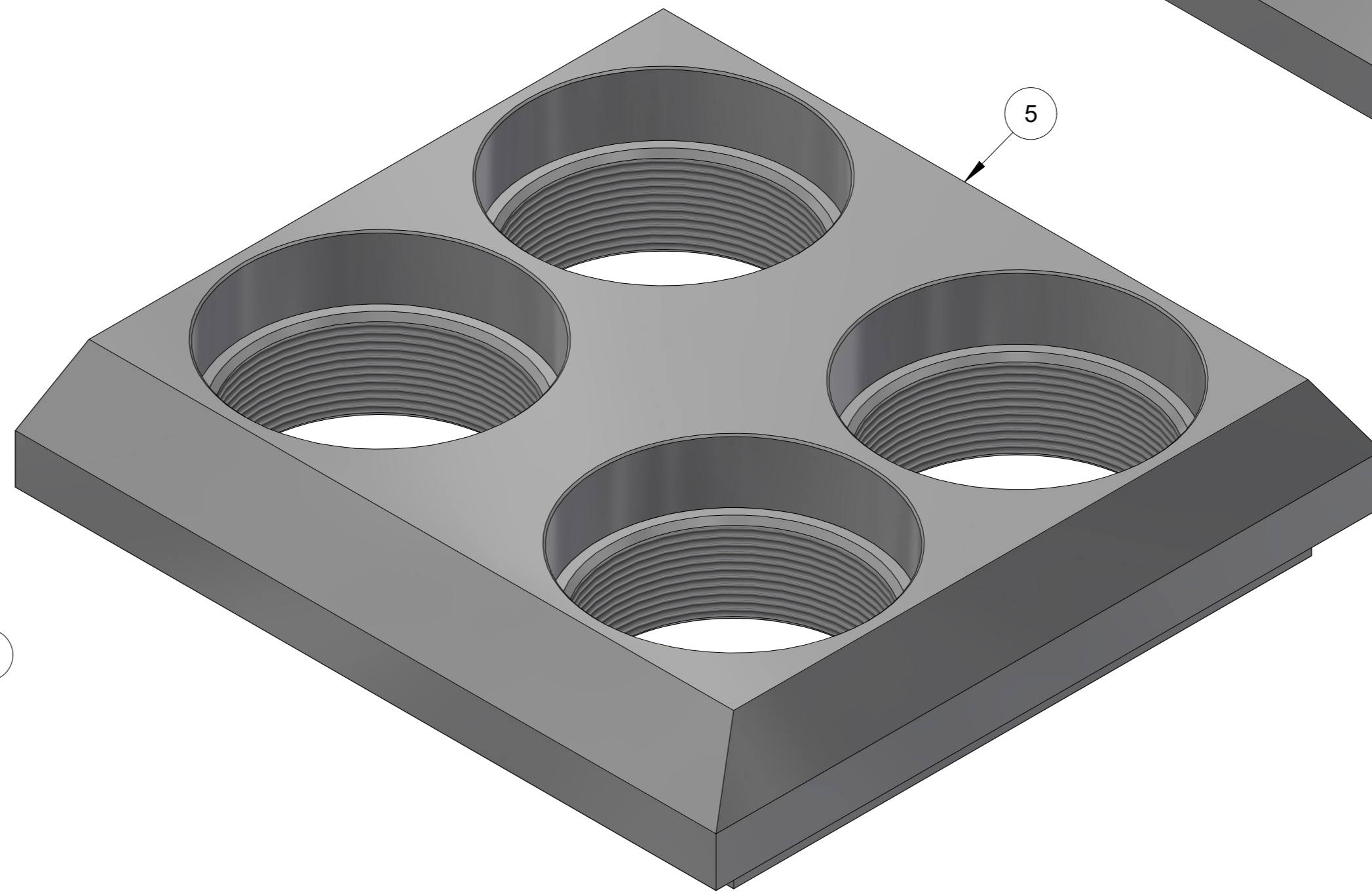
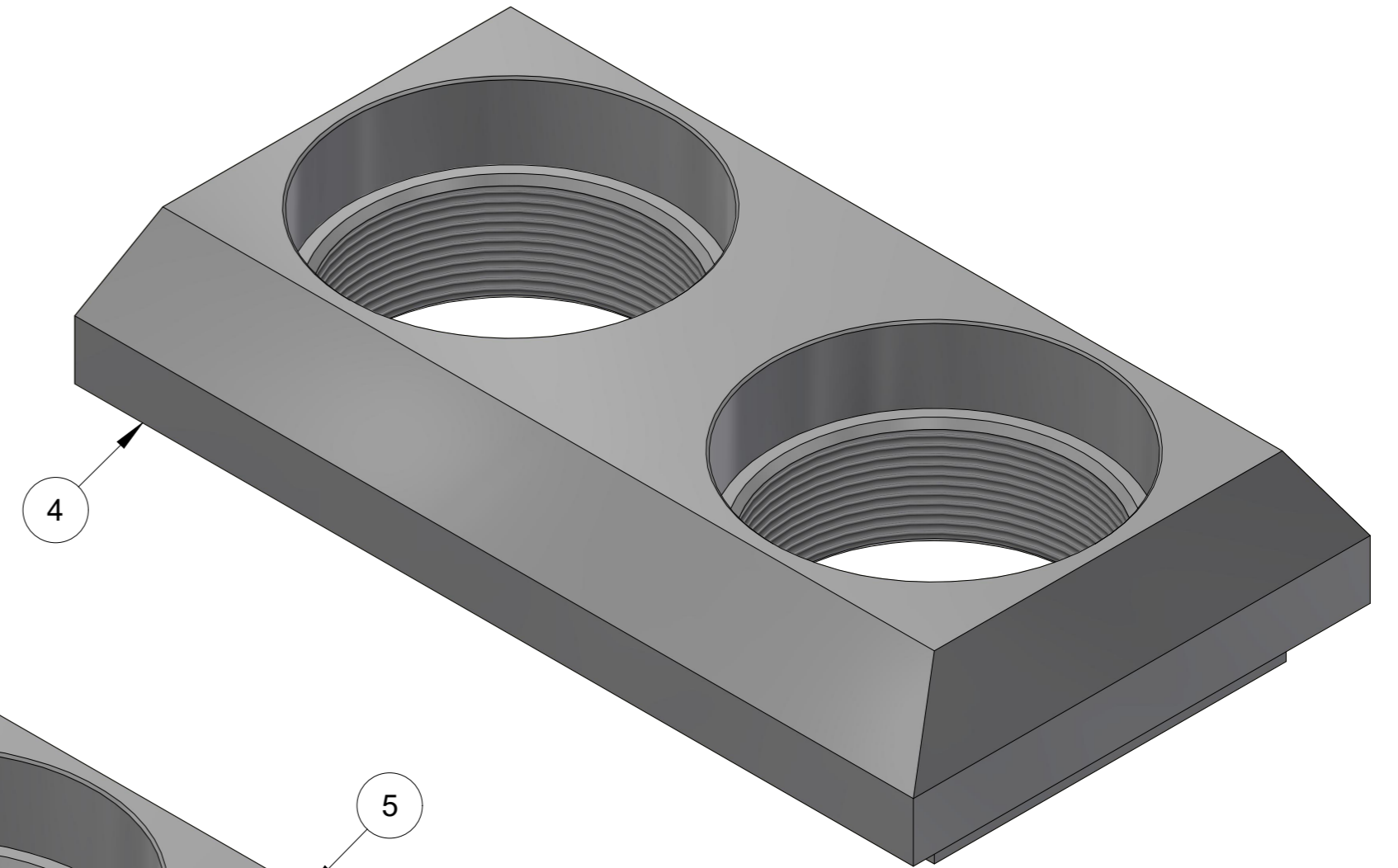
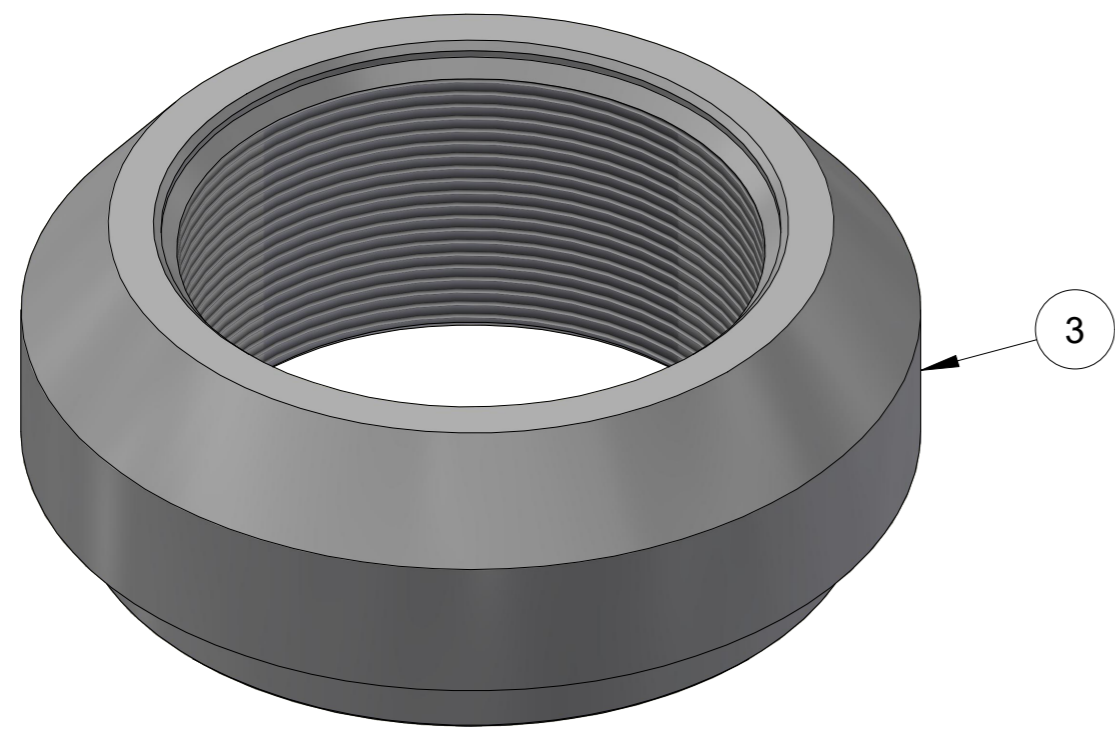
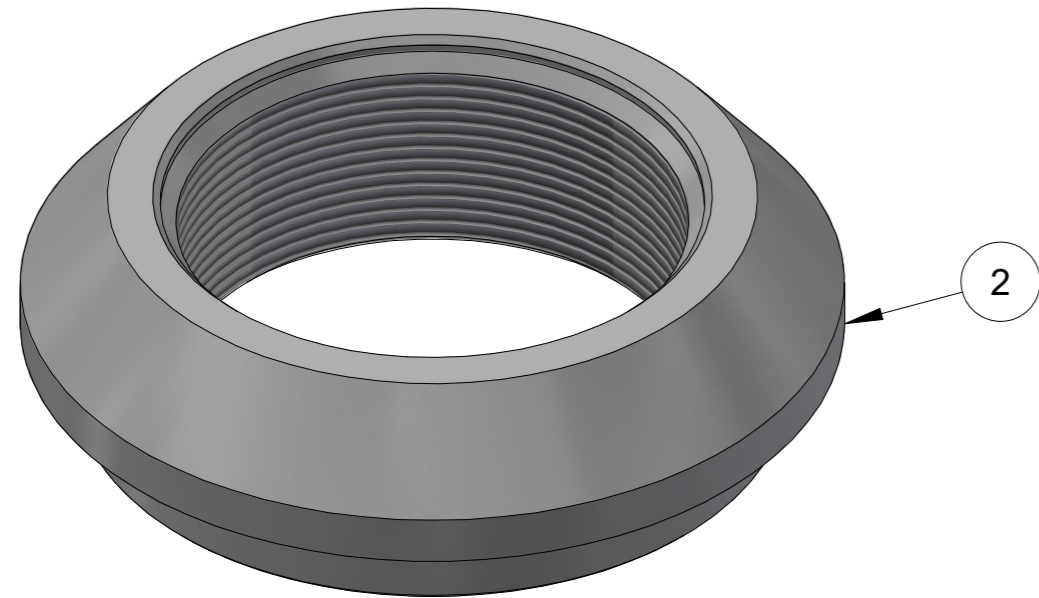
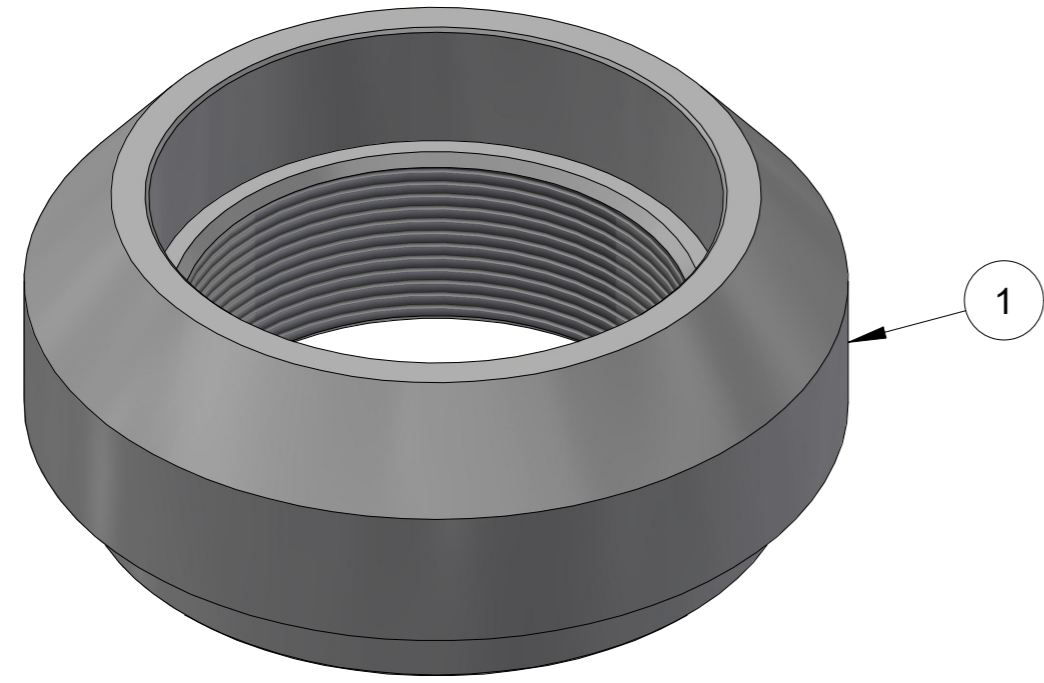




ITEM	PART NUMBER	DESCRIPTION	QTY	COMMENTS
1	MT0118 190032	WEAR PIECE	1	
2	MT0118 190031	ADJUSTING SCREW	1	M55x2.0P
3	MT0118 190033	WASHER - TOP	1	
4	MT0118 190034	WASHER - BOTTOM	1	
5	MT0118 190035	BOLT	1	
6	MT0118 190036	O-RING	1	
7	MT0118 19003T	THREAD TOOL 55MM	0	Option



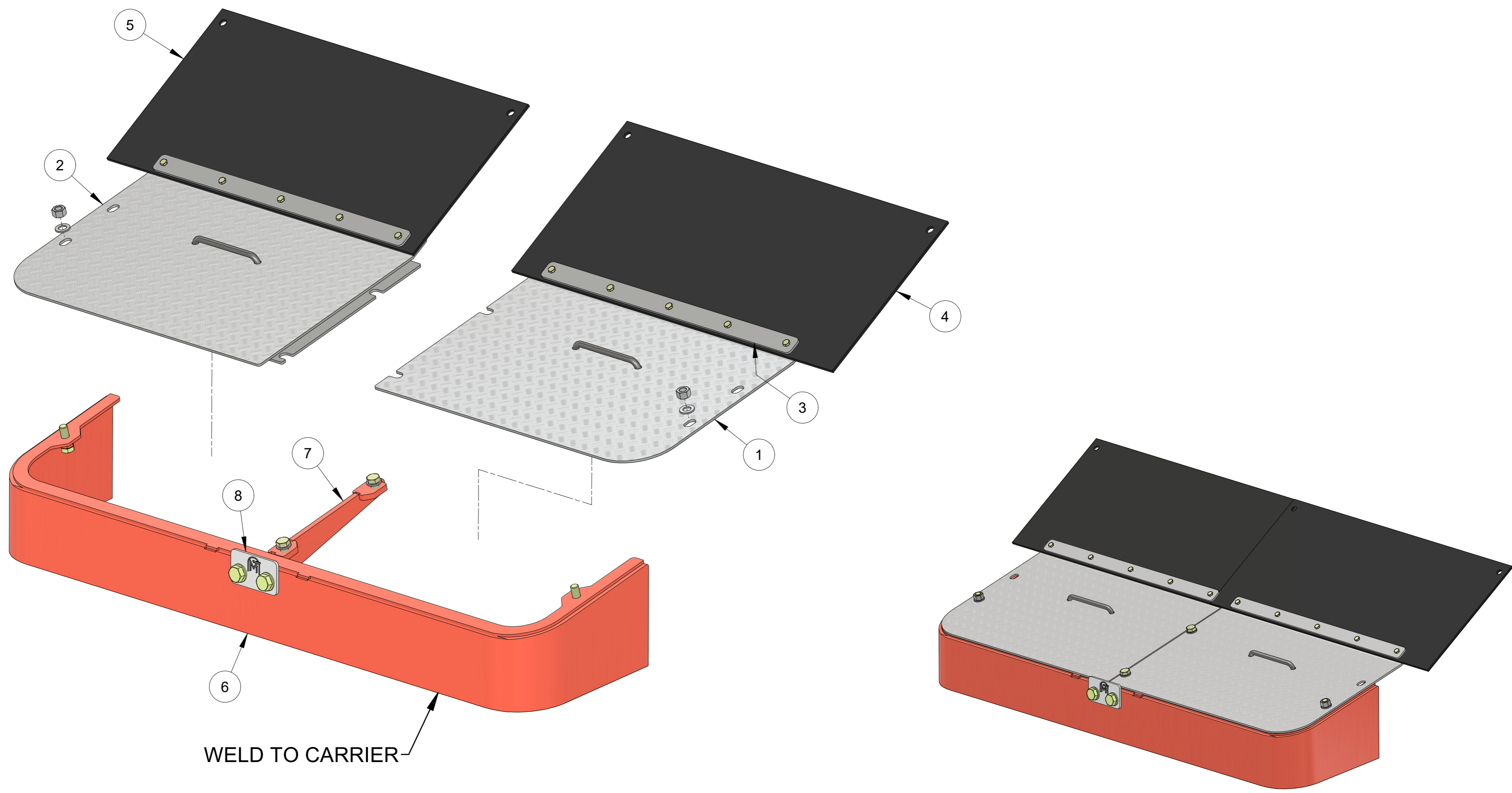
PART NUMBER MT0118 19003C	DESCRIPTION 55MM RESEMIN ADJUSTER
	
MT Parts: 0407 059 610 1 Haesy Circuit, Roseworthy S.A. 5371 171 Dugan Street, Kalgoorlie W.A. 6430 parts@mtunderground.com www.mtunderground.com	
PAGE 8	

ITEM	PART NUMBER	DESCRIPTION	QTY	COMMENTS
1	MT208 410 18F	ADJUSTER BODY - JUMBO BOOM	1	M70x2.0P
2	MT208 410 18FL	ADJUSTER BODY - SOLO BOOM	1	M70x2.0P
3	MT204 677 88F	ADJUSTER BODY - SOLO PENDULUM	1	M80x2.0P
4	MT208 410 18F2	MULTIPLE ADJUSTER BODY	1	M70x2.0P
5	MT208 410 18F4	MULTIPLE ADJUSTER BODY	1	M70x2.0P



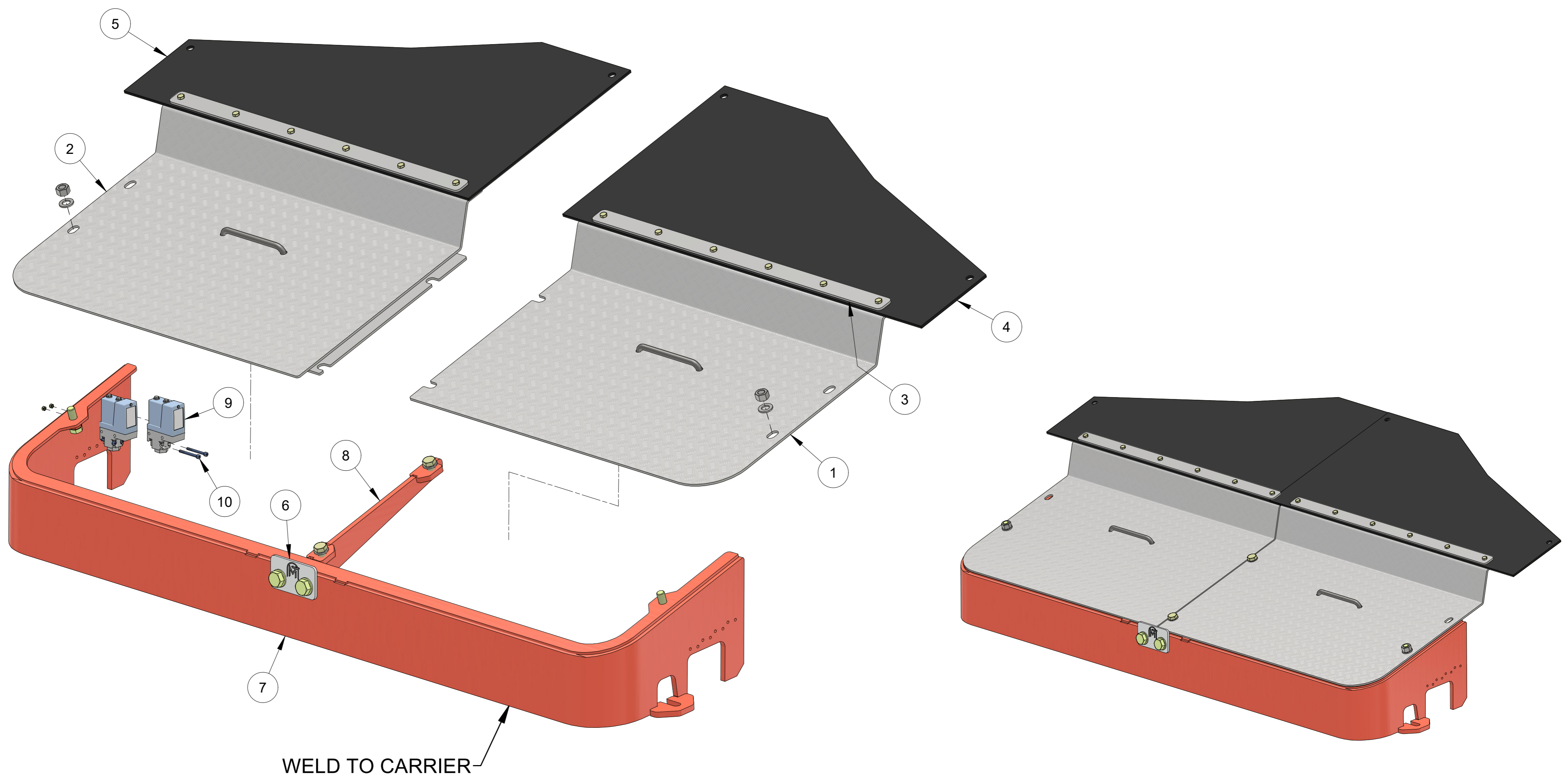
PART NUMBER	DESCRIPTION
	ADJUSTER BODY - REPAIR WELD IN
 	
MT Parts: 0407 059 610 1 Haesy Circuit, Roseworthy S.A. 5371 171 Dugan Street, Kalgoorlie W.A. 6430 parts@mtunderground.com www.mtunderground.com	
PAGE	9

ITEM	PART NUMBER	DESCRIPTION	QTY	COMMENTS
1	MT420 201	COVER POS 1	1	
2	MT420 202	COVER POS 2	1	
3	MT420 203	CLAMP PLATE	2	
4	MT420 211	RUBBER POS 1	1	
5	MT420 212	RUBBER POS 2	1	
6	MT420 21B	BUMPER / MOUNT	1	
7	MT420 21S	SUPPORT	1	
8	MT421 213	KEEPER PLATE	1	



PART NUMBER MT420 202 CA	DESCRIPTION FRONT COVER SYSTEM	MT Parts: 0407 059 610 1 Haehy Circuit, Roseworthy S.A. 5371 171 Dugan Street, Kalgoorlie W.A. 6430 parts@mtunderground.com www.mtunderground.com
		PAGE 10

ITEM	PART NUMBER	DESCRIPTION	QTY	COMMENTS
1	MT421 201	COVER POS 1	1	
2	MT421 202	COVER POS 2	1	
3	MT421 203	CLAMP PLATE	2	
4	MT421 211	RUBBER POS 1	1	
5	MT421 212	RUBBER POS 2	1	
6	MT421 213	KEEPER PLATE	1	
7	MT421 21B	BUMPER / MOUNT	1	
8	MT421 21S	SUPPORT	1	
9	MT888 013 20	PRESSURE SWITCH	0	Not included
10	MT0211 1215 03	M5x50 SHCS	0	Not included



PART NUMBER MT421 202 CA	DESCRIPTION FRONT COVER SYSTEM
	
MT Parts: 0407 059 610 1 Haesy Circuit, Roseworthy S.A. 5371 171 Dugan Street, Kalgoorlie W.A. 6430 parts@mtunderground.com www.mtunderground.com	
PAGE 11	