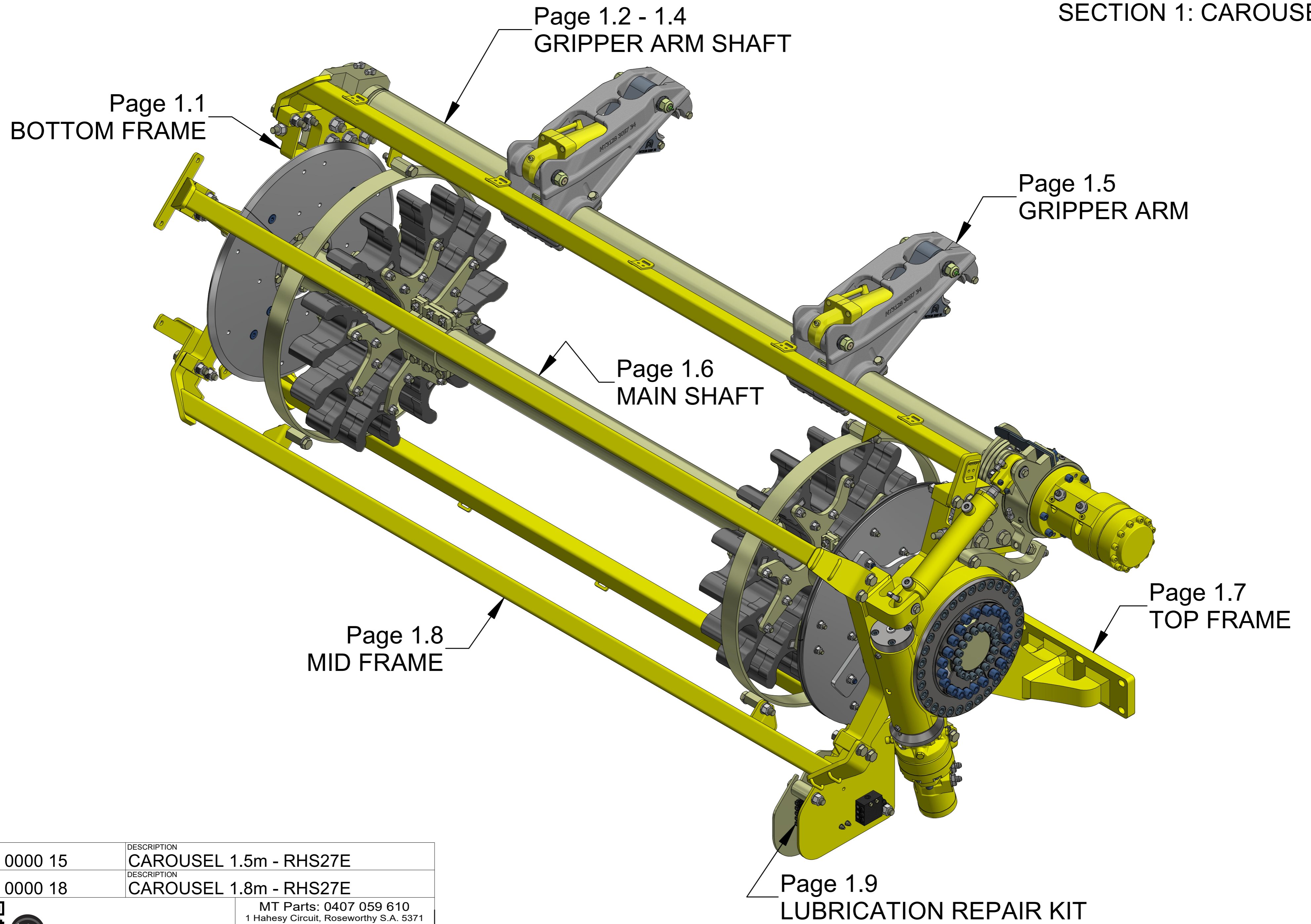




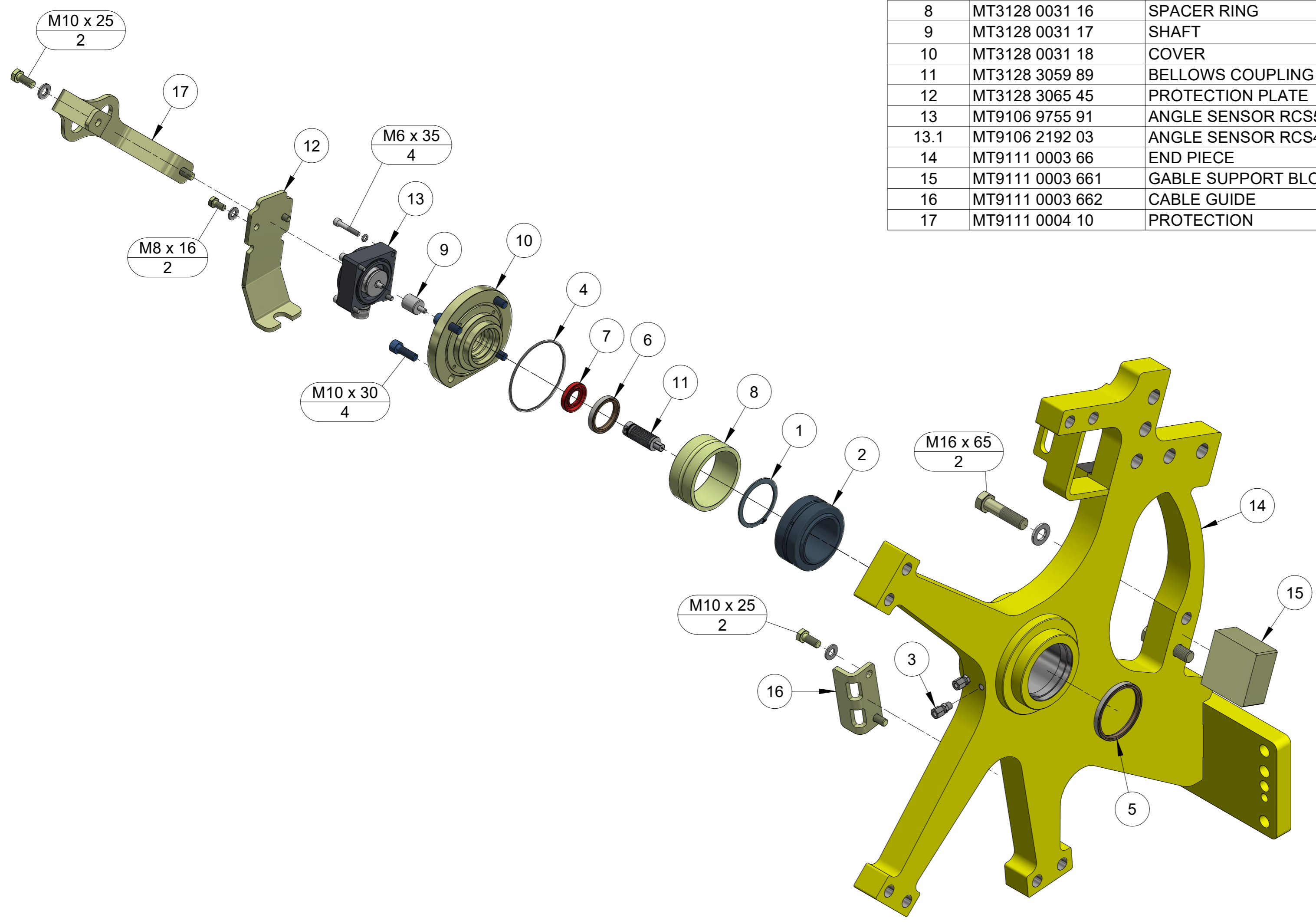
PART NUMBER	DESCRIPTION
MTE7 RHS27E CA	BOOM - FEED ASSEMBLY
	MT Parts: 0407 059 610 1 Hahey Circuit, Roseworthy S.A. 5371 171 Dugan Street, Kalgoorlie W.A. 6430 <a href="mailto:parts@mtunderground.com">parts@mtunderground.com</a> <a href="http://www.mtunderground.com">www.mtunderground.com</a>
	



SECTION 1: CAROUSEL

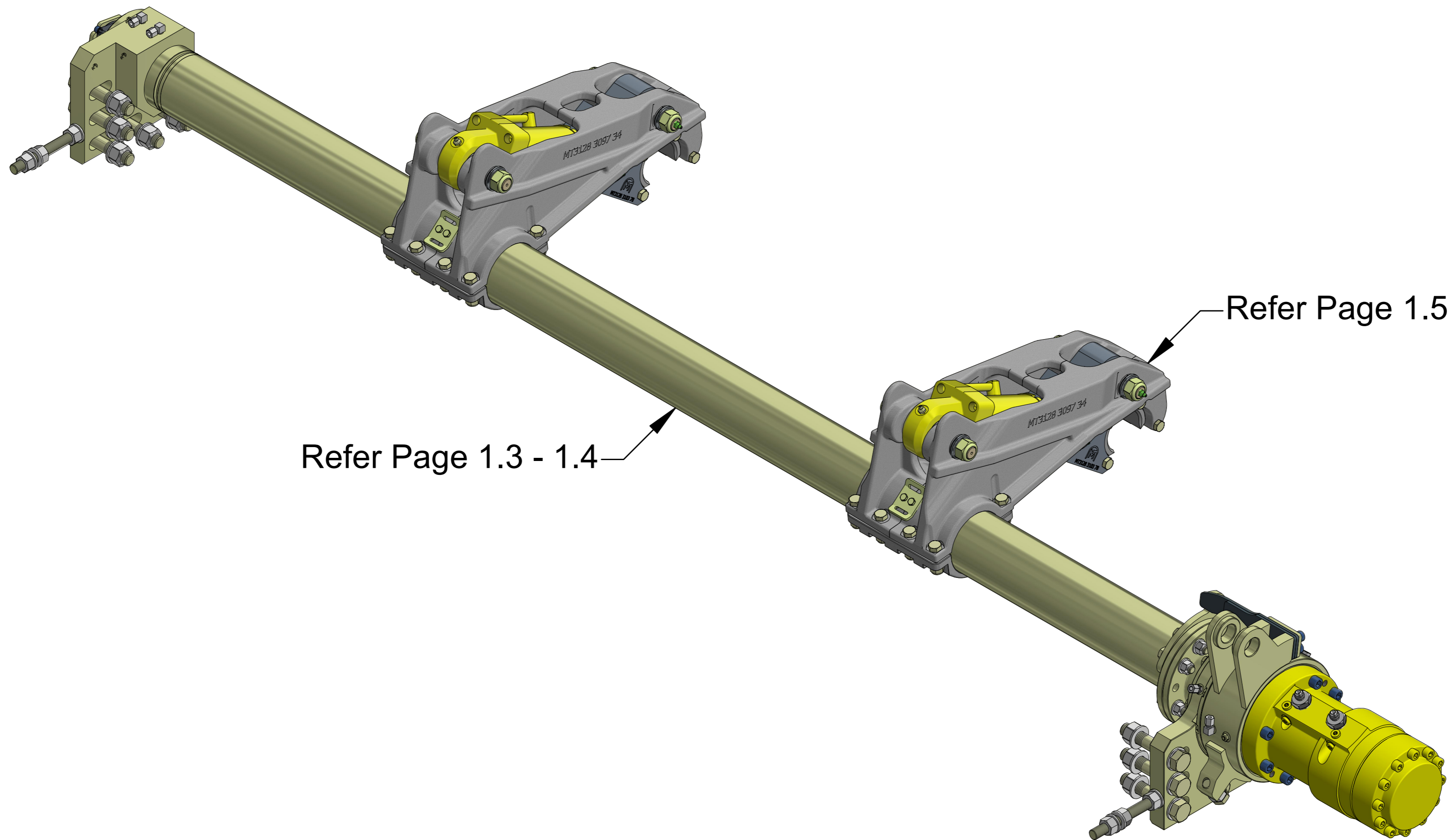


PART NUMBER MT9111 0000 15	DESCRIPTION CAROUSEL 1.5m - RHS27E
PART NUMBER MT9111 0000 18	DESCRIPTION CAROUSEL 1.8m - RHS27E
 	
MT Parts: 0407 059 610 1 Haesy Circuit, Roseworthy S.A. 5371 171 Dugan Street, Kalgoorlie W.A. 6430 <a href="mailto:parts@mtunderground.com">parts@mtunderground.com</a> <a href="http://www.mtunderground.com">www.mtunderground.com</a>	

ITEM	PART NUMBER	DESCRIPTION	QTY	COMMENTS
1	MT0335 1151 00	CIRCLIP	1	
2	MT0501 0019 01	BEARING	1	
3	MT0580 0002 00	COUPLING STRAIGHT	2	
4	MT0663 6143 00	O-Ring	1	
5	MT0665 9100 86	WIPER	1	
6	MT0665 9100 88	WIPER	1	
7	MT0666 6000 56	LIP SEAL	1	
8	MT3128 0031 16	SPACER RING	1	
9	MT3128 0031 17	SHAFT	1	
10	MT3128 0031 18	COVER	1	
11	MT3128 3059 89	BELLOWS COUPLING	1	
12	MT3128 3065 45	PROTECTION PLATE	1	
13	MT9106 9755 91	ANGLE SENSOR RCS5	1	
13.1	MT9106 2192 03	ANGLE SENSOR RCS4		
14	MT9111 0003 66	END PIECE	1	
15	MT9111 0003 661	GABLE SUPPORT BLOCK	1	
16	MT9111 0003 662	CABLE GUIDE	1	
17	MT9111 0004 10	PROTECTION	1	



PART NUMBER	DESCRIPTION
	<b>BOTTOM FRAME</b>
 	
MT Parts: 0407 059 610 1 Hahey Circuit, Roseworthy S.A. 5371 171 Dugan Street, Kalgoorlie W.A. 6430 <a href="mailto:parts@mtunderground.com">parts@mtunderground.com</a> <a href="http://www.mtunderground.com">www.mtunderground.com</a>	
PAGE	1.1



Refer Page 1.3 - 1.4

Refer Page 1.5

PART NUMBER	DESCRIPTION
MT9111 0004 015	GRIPPER ARM SHAFT COMPLETE 1.5m
PART NUMBER	DESCRIPTION
MT9111 0004 01	GRIPPER ARM SHAFT COMPLETE 1.8m

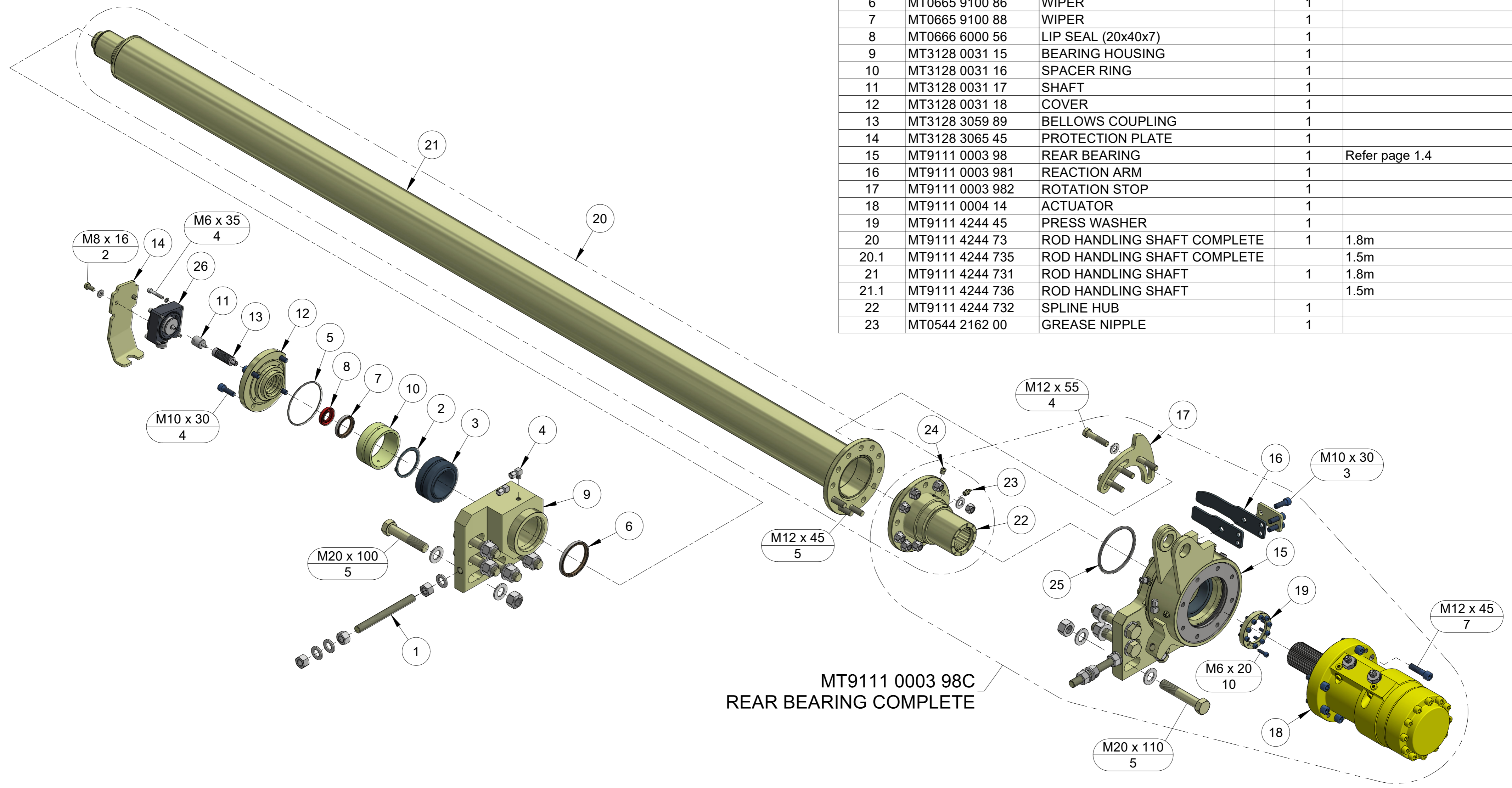


MT Parts: 0407 059 610  
 1 Hahey Circuit, Roseworthy S.A. 5371  
 171 Dugan Street, Kalgoorlie W.A. 6430

[parts@mtunderground.com](mailto:parts@mtunderground.com)  
[www.mtunderground.com](http://www.mtunderground.com)

ITEM	PART NUMBER	DESCRIPTION	QTY	COMMENTS
24	MT3128 3151 485	RELIEF VALVE	1	
25	MT9111 4244 733	O-RING	1	
26	MT9106 9755 91	ANGLE SENSOR RCS5	1	
26.1	MT9106 2192 03	ANGLE SENSOR RCS4		

ITEM	PART NUMBER	DESCRIPTION	QTY	COMMENTS
1	MT0248 9979 54	THREADED ROD	2	
2	MT0335 1151 00	CIRCLIP	1	
3	MT0501 0019 01	BEARING	1	
4	MT0580 2202 00	COUPLING 90°	2	
5	MT0663 6143 00	O-RING	1	
6	MT0665 9100 86	WIPER	1	
7	MT0665 9100 88	WIPER	1	
8	MT0666 6000 56	LIP SEAL (20x40x7)	1	
9	MT3128 0031 15	BEARING HOUSING	1	
10	MT3128 0031 16	SPACER RING	1	
11	MT3128 0031 17	SHAFT	1	
12	MT3128 0031 18	COVER	1	
13	MT3128 3059 89	BELLOWS COUPLING	1	
14	MT3128 3065 45	PROTECTION PLATE	1	
15	MT9111 0003 98	REAR BEARING	1	Refer page 1.4
16	MT9111 0003 981	REACTION ARM	1	
17	MT9111 0003 982	ROTATION STOP	1	
18	MT9111 0004 14	ACTUATOR	1	
19	MT9111 4244 45	PRESS WASHER	1	
20	MT9111 4244 73	ROD HANDLING SHAFT COMPLETE	1	1.8m
20.1	MT9111 4244 735	ROD HANDLING SHAFT COMPLETE		1.5m
21	MT9111 4244 731	ROD HANDLING SHAFT	1	1.8m
21.1	MT9111 4244 736	ROD HANDLING SHAFT		1.5m
22	MT9111 4244 732	SPLINE HUB	1	
23	MT0544 2162 00	GREASE NIPPLE	1	



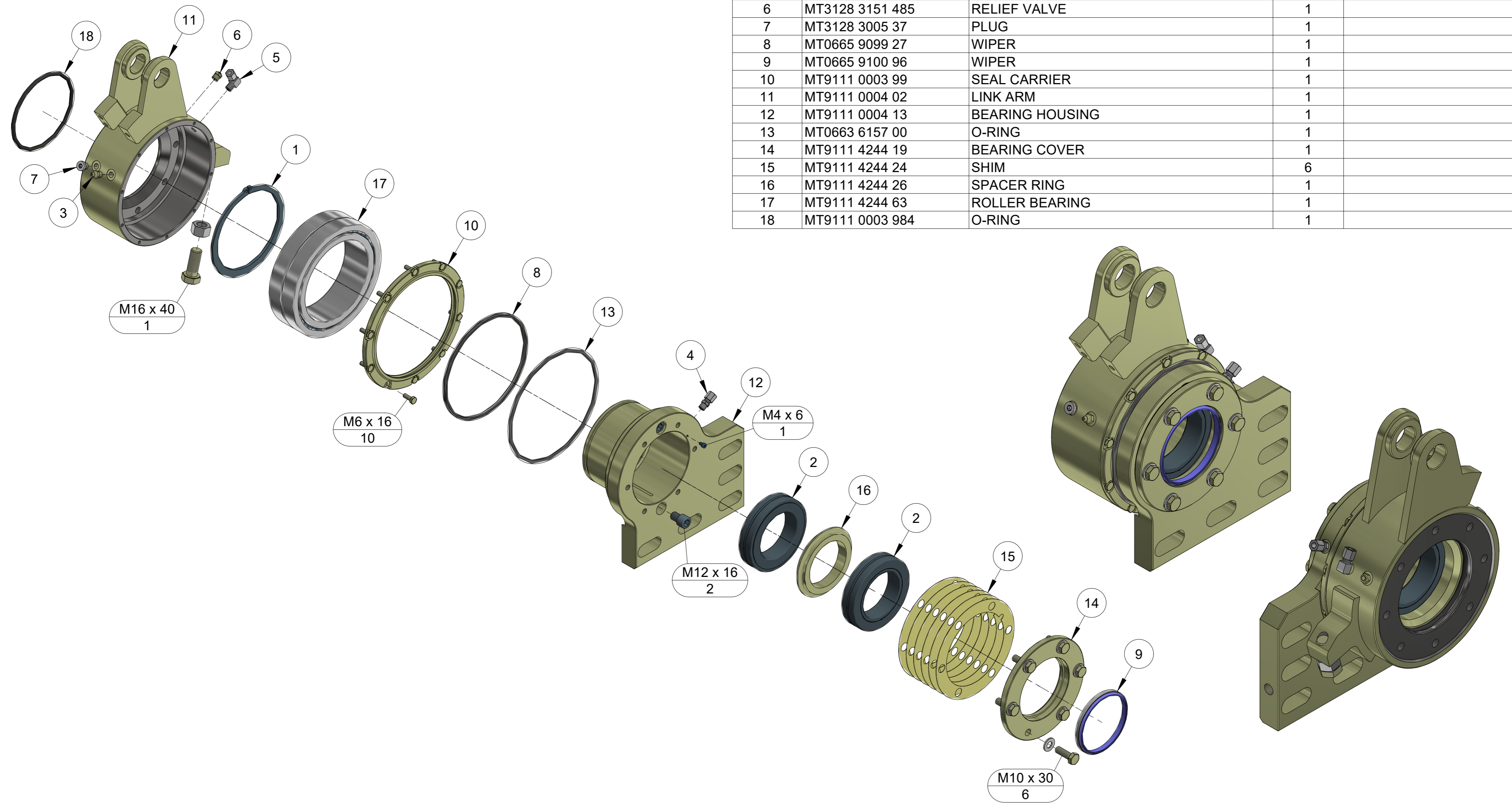
MT9111 0003 98C  
REAR BEARING COMPLETE

PART NUMBER	DESCRIPTION
MT9111 0003 985CA	GRIPPER ARM SHAFT 1.5m
PART NUMBER	DESCRIPTION
MT9111 0003 98CA	GRIPPER ARM SHAFT 1.8m

MT Parts: 0407 059 610  
1 Haehy Circuit, Roseworthy S.A. 5371  
171 Dugan Street, Kalgoorlie W.A. 6430  
[parts@mtunderground.com](mailto:parts@mtunderground.com)  
[www.mtunderground.com](http://www.mtunderground.com)

PAGE 1.3

ITEM	PART NUMBER	DESCRIPTION	QTY	COMMENTS
1	MT0335 1178 00	CIRCLIP	1	
2	MT0501 0000 81	ANGULAR SPHERICAL BEARING	2	
3	MT0544 2162 00	GREASE NIPPLE	1	
4	MT0580 0002 00	COUPLING STRAIGHT	1	
5	MT0580 2202 00	COUPLING 90°	1	
6	MT3128 3151 485	RELIEF VALVE	1	
7	MT3128 3005 37	PLUG	1	
8	MT0665 9099 27	WIPER	1	
9	MT0665 9100 96	WIPER	1	
10	MT9111 0003 99	SEAL CARRIER	1	
11	MT9111 0004 02	LINK ARM	1	
12	MT9111 0004 13	BEARING HOUSING	1	
13	MT0663 6157 00	O-RING	1	
14	MT9111 4244 19	BEARING COVER	1	
15	MT9111 4244 24	SHIM	6	
16	MT9111 4244 26	SPACER RING	1	
17	MT9111 4244 63	ROLLER BEARING	1	
18	MT9111 0003 984	O-RING	1	

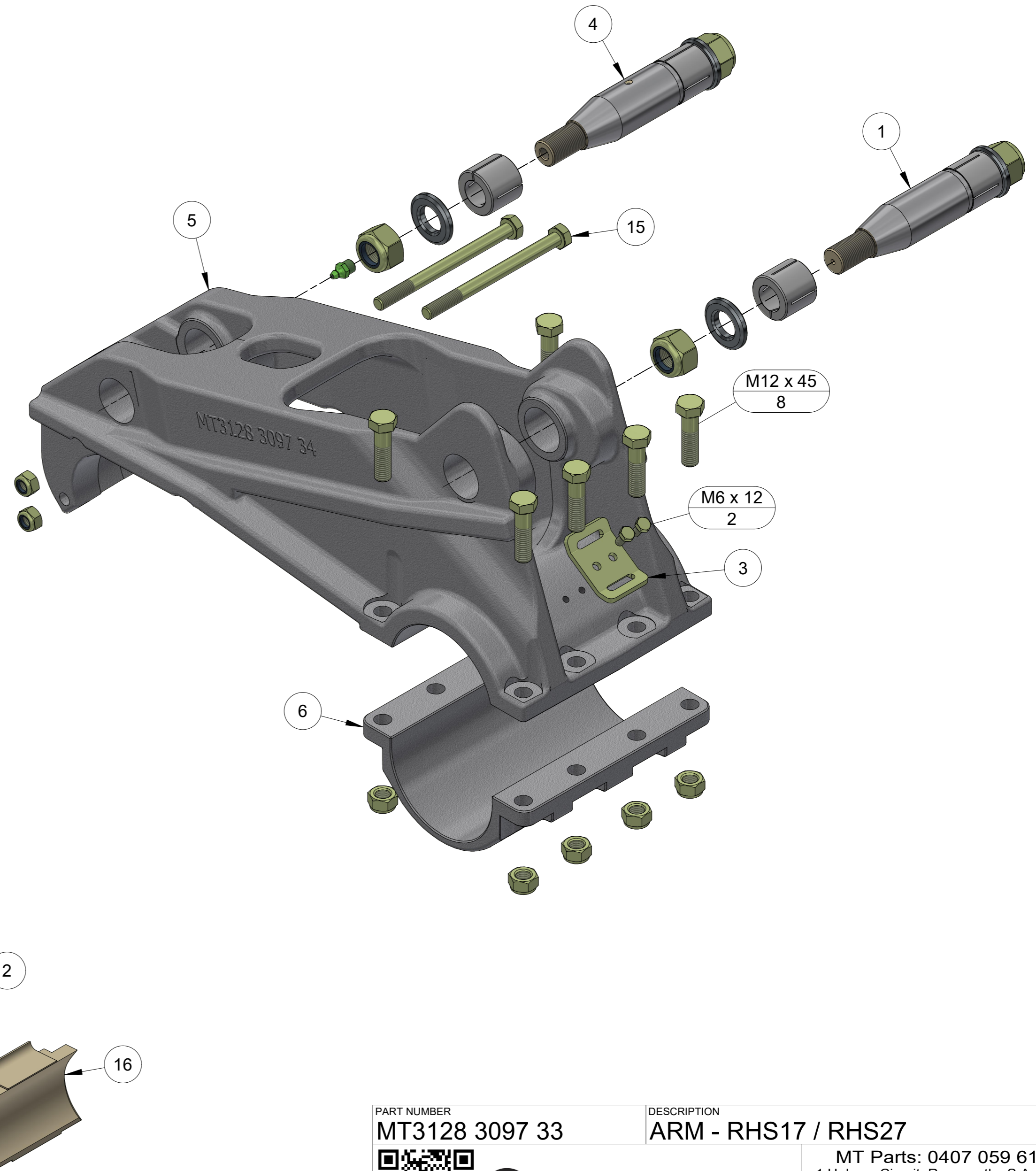




PART NUMBER <b>MT9111 0003 98</b>	DESCRIPTION <b>REAR BEARING</b>
 	<b>MT Parts: 0407 059 610</b> 1 Hahey Circuit, Roseworthy S.A. 5371 171 Dugan Street, Kalgoorlie W.A. 6430 <a href="mailto:parts@mtunderground.com">parts@mtunderground.com</a> <a href="http://www.mtunderground.com">www.mtunderground.com</a>
PAGE <b>1.4</b>	

ITEM	PART NUMBER	DESCRIPTION	QTY	COMMENTS
1	MT3128 0031 55	EXPANDING SHAFT	1	No grease point
2	MT3128 2353 00	DAMPING ELEMENT	4	
3	MT3128 2597 50	ATTACHMENT	1	
4	MT3128 3063 83	EXPANDING SHAFT	1	
5	MT3128 3097 34	ARM	1	
6	MT3128 3097 36	CLAMP	1	
7	MT3128 3103 78	JAW	1	
8	MT3128 3104 53	BUSHING	1	
9	MT3128 3105 98	EXPANDING SHAFT	1	
10	MT3128 3106 12	HYDRAULIC CYLINDER	1	
11	MT9120 0993 09	ARM CYLINDER SEAL KIT	1	
12	MT3128 3107 02	PIN GRIPPER DOWEL	2	
13	MT3128 3106 13	BUSHING	2	
14	MT0147 1380 03	SCREW	2	M10 x 110
15	MT0147 1382 03	SCREW	2	M10 x 130

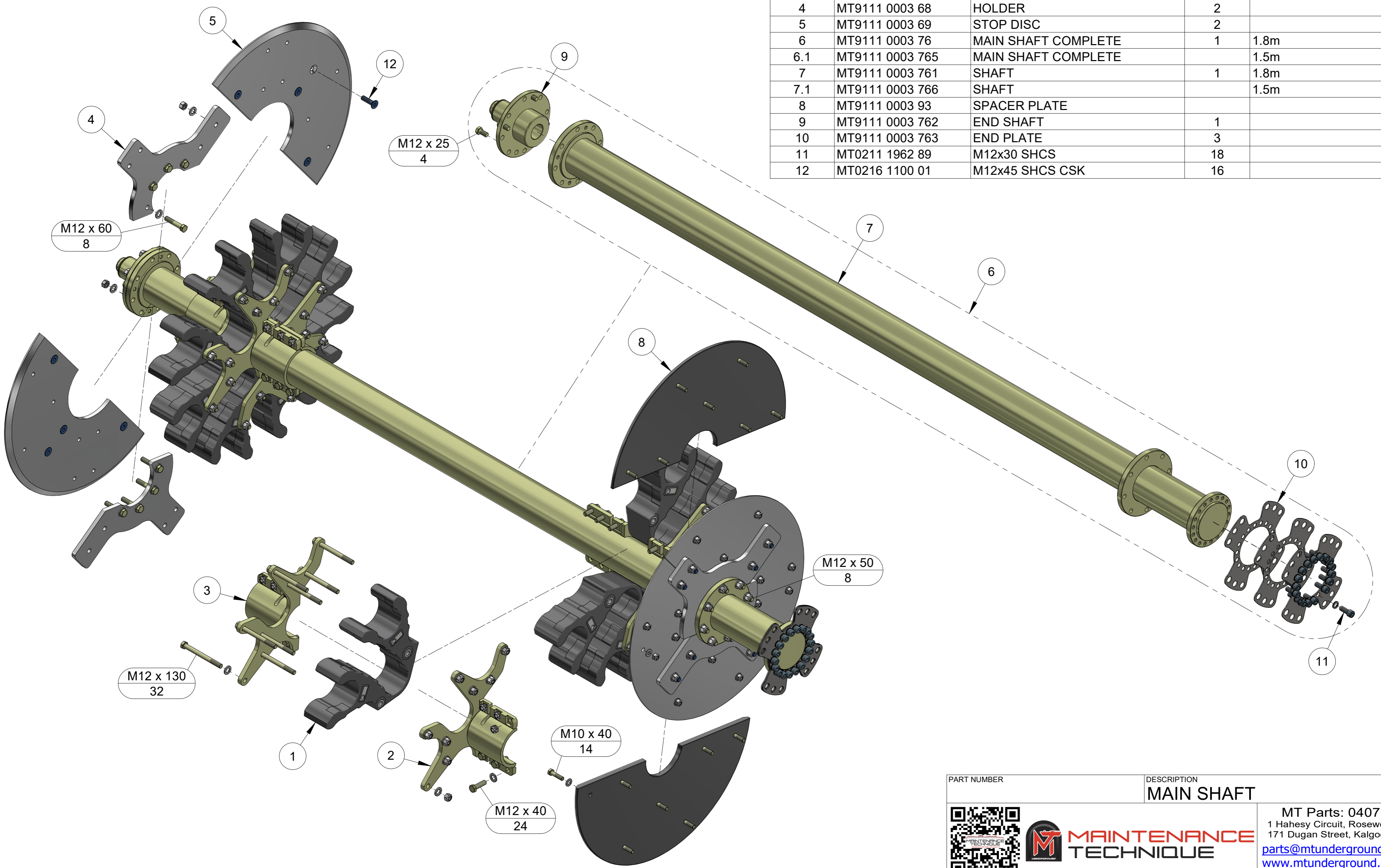
GRIPPER JAWS (sold separate)

ITEM	PART NUMBER	DESCRIPTION	QTY	COMMENTS
16	MT3128 3104 20	JAW 32	2	RHS17
16.1	MT3128 3104 21	JAW 38	2	RHS17
16.2	MT3128 3104 22	JAW 45	2	RHS17
16.3	MT3128 3104 25	JAW 64	2	RHS17
16.4	MT3128 3104 51	JAW 51	2	RHS27
16.5	MT3128 3104 26	JAW 76	2	RHS27
16.6	MT3128 3104 27	JAW 87	2	RHS27



PART NUMBER <b>MT3128 3097 33</b>	DESCRIPTION <b>ARM - RHS17 / RHS27</b>
 	
MT Parts: 0407 059 610 1 Haehy Circuit, Roseworthy S.A. 5371 171 Dugan Street, Kalgoorlie W.A. 6430 <a href="mailto:parts@mtunderground.com">parts@mtunderground.com</a> <a href="http://www.mtunderground.com">www.mtunderground.com</a>	
PAGE	<b>1.5</b>

ITEM	PART NUMBER	DESCRIPTION	QTY	COMMENTS
1	MT4527	SIMBA MT4527	8	45mm tube
1.1	MT5127	SIMBA MT5127	8	51mm tube
1.2	MT6427	SIMBA MT6427	8	64mm tube
1.3	MT7627	SIMBA MT7627	8	76mm tube
1.4	MT7827	SIMBA MT7827	8	78mm tube
1.5	MT8727E	SIMBA MT8727	8	87mm tube
2	MT3128 2227 15	HOLDER	4	
3	MT3128 2227 16	HOLDER OH	4	
4	MT9111 0003 68	HOLDER	2	
5	MT9111 0003 69	STOP DISC	2	
6	MT9111 0003 76	MAIN SHAFT COMPLETE	1	1.8m
6.1	MT9111 0003 765	MAIN SHAFT COMPLETE	1	1.5m
7	MT9111 0003 761	SHAFT	1	1.8m
7.1	MT9111 0003 766	SHAFT	1	1.5m
8	MT9111 0003 93	SPACER PLATE		
9	MT9111 0003 762	END SHAFT	1	
10	MT9111 0003 763	END PLATE	3	
11	MT0211 1962 89	M12x30 SHCS	18	
12	MT0216 1100 01	M12x45 SHCS CSK	16	



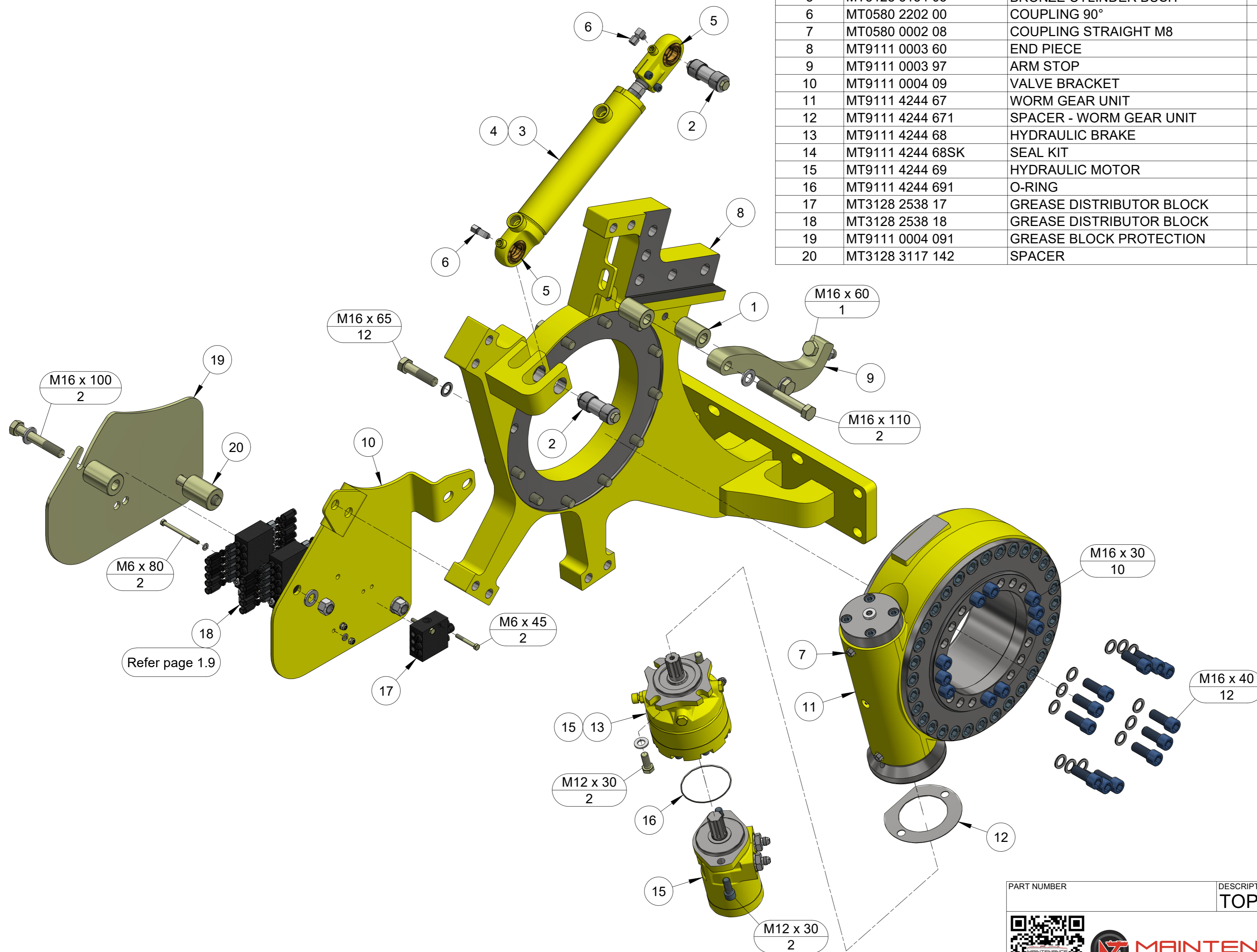
PART NUMBER	DESCRIPTION
	<b>MAIN SHAFT</b>

MAINTENANCE  
TECHNIQUE

MT Parts: 0407 059 610  
 1 Haehy Circuit, Roseworthy S.A. 5371  
 171 Dugan Street, Kalgoorlie W.A. 6430  
[parts@mtunderground.com](mailto:parts@mtunderground.com)  
[www.mtunderground.com](http://www.mtunderground.com)

PAGE  
1.6

ITEM	PART NUMBER	DESCRIPTION	QTY	COMMENTS
1	MT3128 0032 11	SPACER	2	
2	MT3128 3104 72	RHS PIN COMPLETE	2	
3	MT3128 3122 31	CYLINDER	1	
4	MT9120 0993 05	SEAL KIT		Cylinder
5	MT3128 3134 05	BRONZE CYLINDER BUSH	2	
6	MT0580 2202 00	COUPLING 90°	2	
7	MT0580 0002 08	COUPLING STRAIGHT M8	2	
8	MT9111 0003 60	END PIECE	1	
9	MT9111 0003 97	ARM STOP	1	
10	MT9111 0004 09	VALVE BRACKET	1	
11	MT9111 4244 67	WORM GEAR UNIT	1	Includes spacer
12	MT9111 4244 671	SPACER - WORM GEAR UNIT		
13	MT9111 4244 68	HYDRAULIC BRAKE	1	
14	MT9111 4244 68SK	SEAL KIT		Brake
15	MT9111 4244 69	HYDRAULIC MOTOR	1	
16	MT9111 4244 691	O-RING	1	
17	MT3128 2538 17	GREASE DISTRIBUTOR BLOCK	1	6 port E7C, ME7C only
18	MT3128 2538 18	GREASE DISTRIBUTOR BLOCK	2	12 port
19	MT9111 0004 091	GREASE BLOCK PROTECTION	1	
20	MT3128 3117 142	SPACER	2	

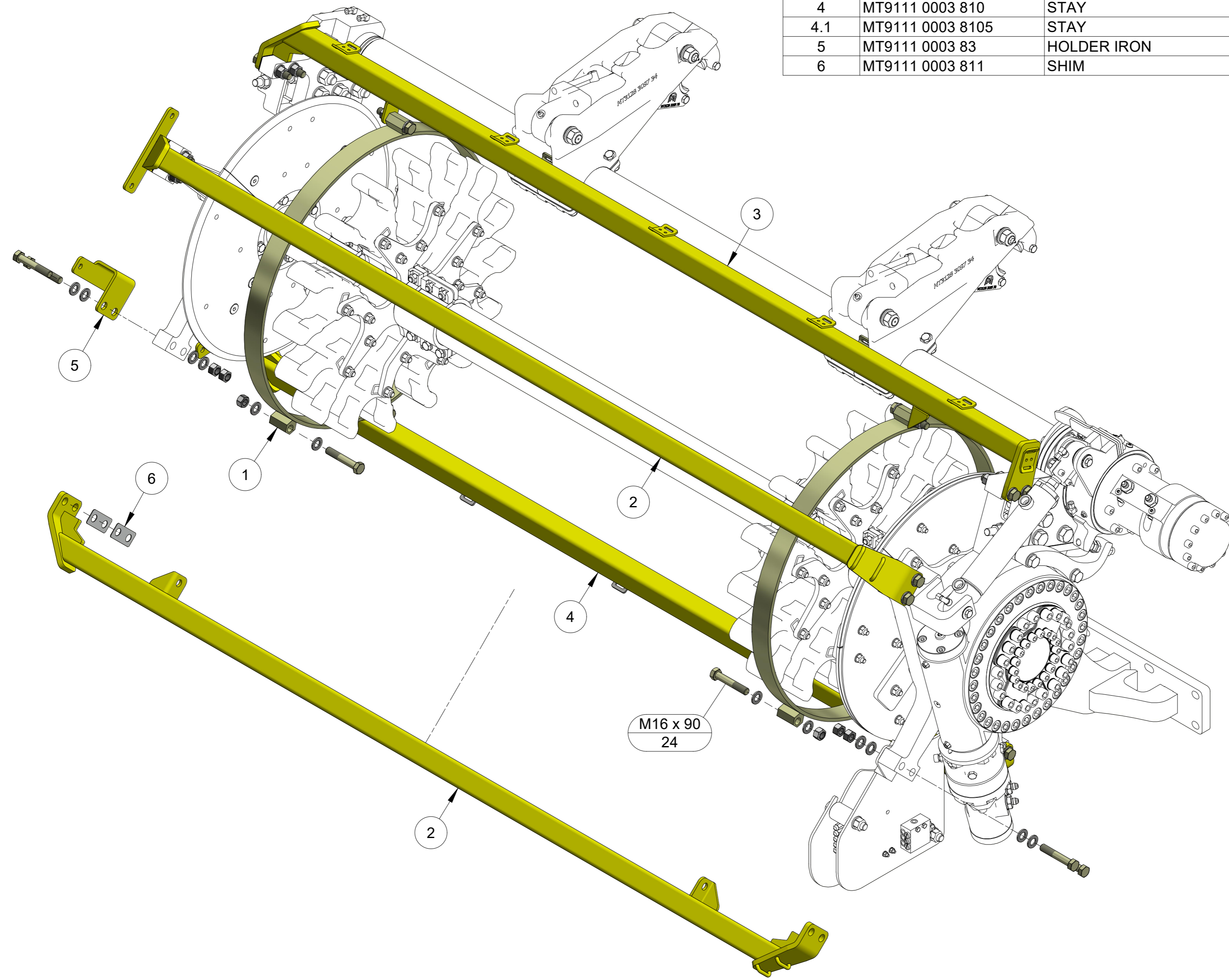




PART NUMBER	DESCRIPTION
	TOP FRAME

MT Parts: 0407 059 610  
 1 Haehy Circuit, Roseworthy S.A. 5371  
 171 Dugan Street, Kalgoorlie W.A. 6430  
[parts@mtunderground.com](mailto:parts@mtunderground.com)  
[www.mtunderground.com](http://www.mtunderground.com)

PAGE 1.7

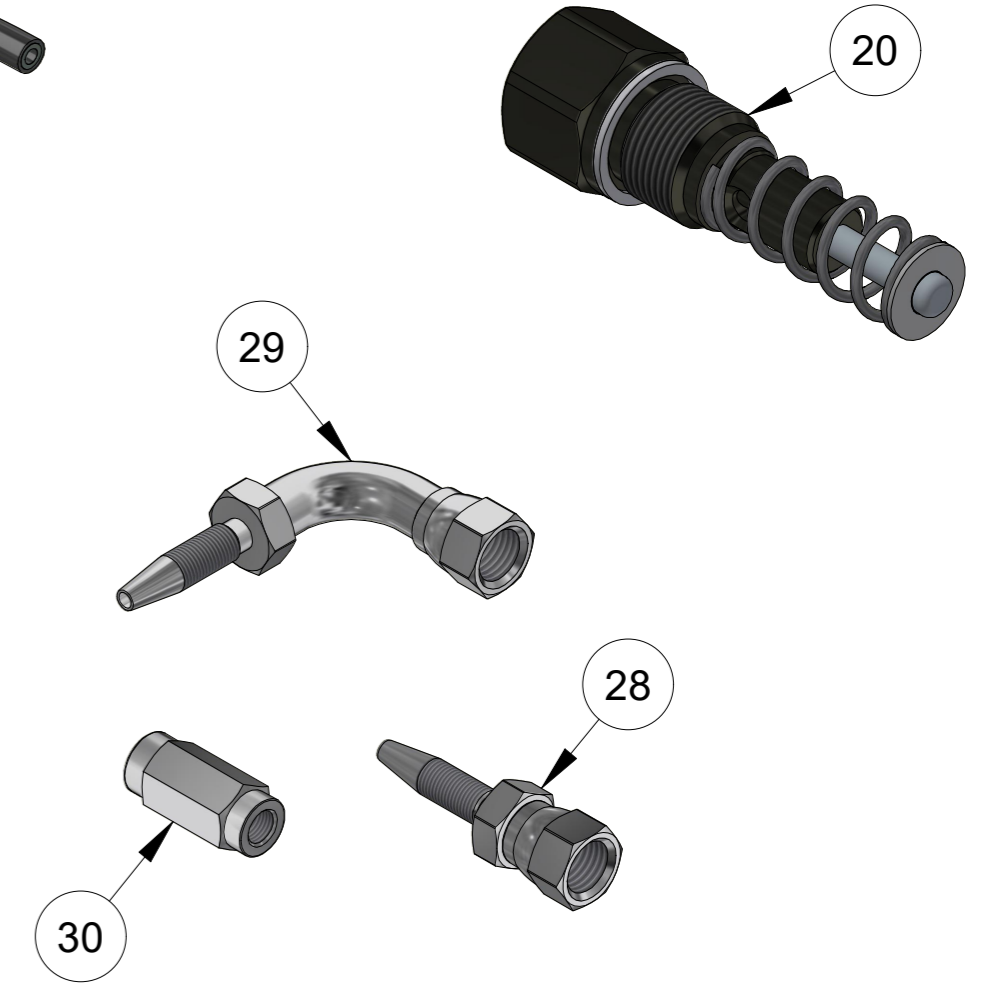
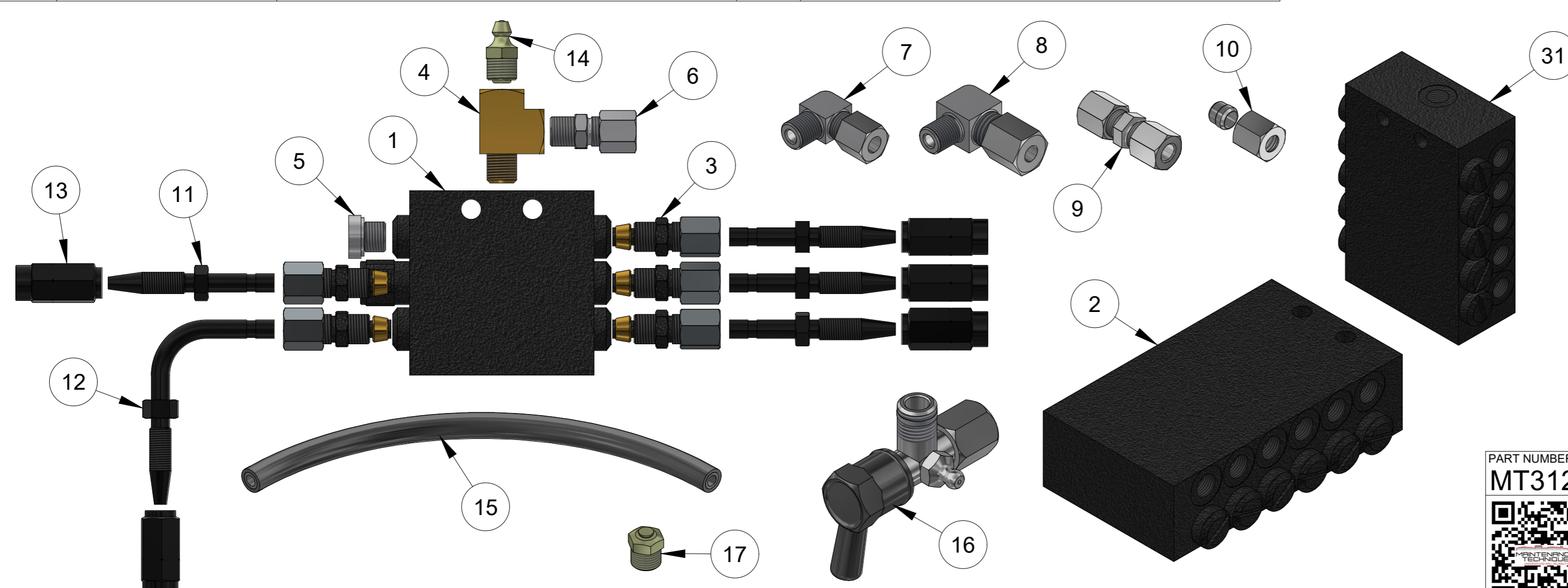
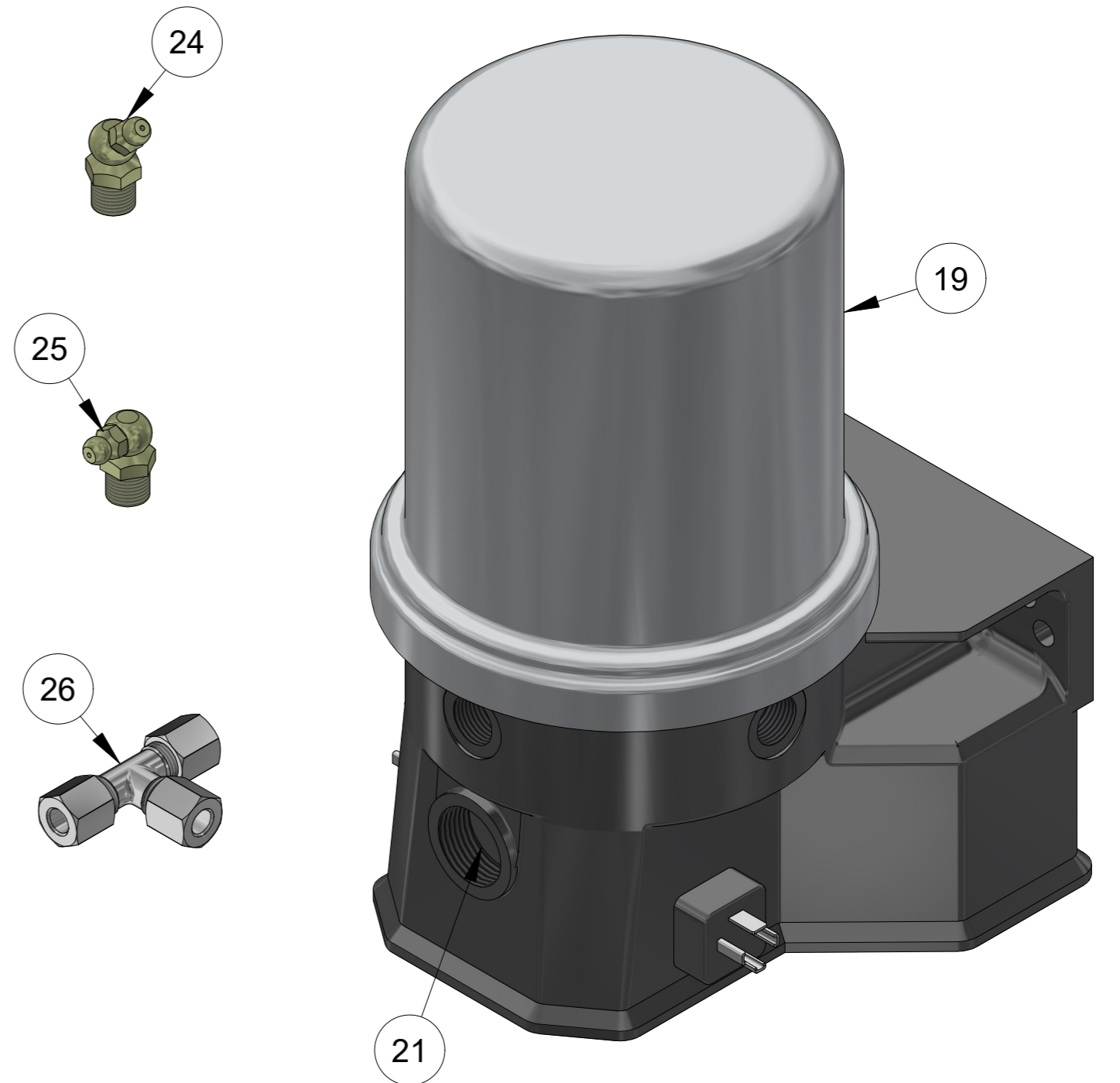
ITEM	PART NUMBER	DESCRIPTION	QTY	COMMENTS
1	MT3128 3102 93	PROTECTION ARCH	2	
2	MT9111 0003 81	STAY	2	1.8m
2.1	MT9111 0003 815	STAY		1.5m
3	MT9111 0011 81	STAY	1	1.8m
3.1	MT9111 0011 815	STAY		1.5m
4	MT9111 0003 810	STAY	1	1.8m
4.1	MT9111 0003 8105	STAY		1.5m
5	MT9111 0003 83	HOLDER IRON	3	
6	MT9111 0003 811	SHIM	8	



PART NUMBER	DESCRIPTION
	MID FRAME
 	
MT Parts: 0407 059 610 1 Haehy Circuit, Roseworthy S.A. 5371 171 Dugan Street, Kalgoorlie W.A. 6430 <a href="mailto:parts@mtunderground.com">parts@mtunderground.com</a> <a href="http://www.mtunderground.com">www.mtunderground.com</a>	
PAGE	1.8

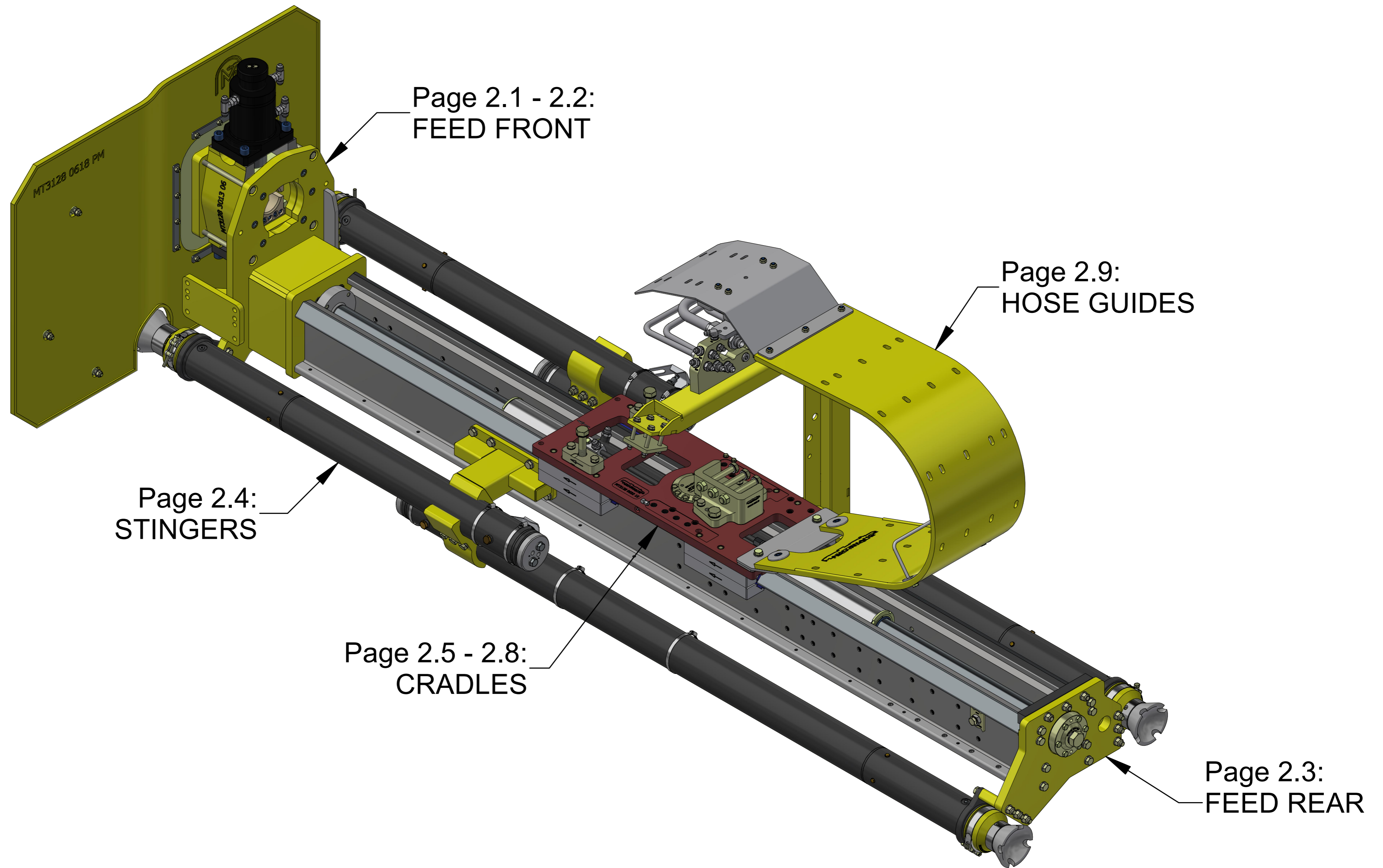
ITEM	PART NUMBER	DESCRIPTION	QTY	COMMENTS
1	MT3128 2538 17	GREASE DISTRIBUTOR BLOCK 6 PORT	1	With indicator
2	MT3128 2538 18	GREASE DISTRIBUTOR BLOCK 12 PORT	1	
3	MT3128 2539 95	CHECK VALVE	6	
4	MT3128 2538 12	ADAPTOR T	2	Grease block
5	MT3128 3005 37	PLUG	6	Grease block
6	MT0580 0002 00	COUPLING STRAIGHT	10	
7	MT0580 2202 00	COUPLING 90°	10	1/8" BSP (12mm hex nut)
8	MT0580 2014 07	COUPLING 90°	6	1/8" BSP (14mm hex nut)
9	MT3128 2538 08J	HOSE JOINER	10	
10	MT3128 2539 9A	NUT & OLIVE	6	
11	MT3128 2538 09	HOSE ADAPTOR STRAIGHT	10	
12	MT3128 2538 90	HOSE ADAPTER 90°	10	
13	MT3128 2538 08	THREADED SLEEVE	20	
14	MT0544 2162 00	GREASE NIPPLE	10	1/8" BSP
15	MT3128 2538 10	HIGH POWER PIPE	10	Order by metre
16	MT3128 2538 02	SAFETY VALVE	1	Pump outlet
17	MT3128 3151 485	RELIEF VALVE	2	Grease, 5 Bar
18	MT9106 1900 012	STORAGE BOX	1	Not shown
19	MT3128 2538 36	GREASE PUMP		Not in repair kit, supplied with 1 pump element
20	MT3128 2538 01	PUMP ELEMENT		Not in repair kit
21	MT3128 3049 45	CIRCUIT BOARD		Not in repair kit
22	MT3128 2538 03	GREASE DISTRIBUTOR BLOCK 8 PORT		Not in repair kit, not shown
23	MT3128 2538 19	GREASE DISTRIBUTOR BLOCK 12 PORT		Not in repair kit, with indicator, not shown
24	MT0544 2362 00	GREASE NIPPLE 45°		Not in repair kit, 1/8" BSP
25	MT0544 2562 00	GREASE NIPPLE 90°		Not in repair kit, 1/8" BSP
26	MT0580 4602 00	TEE JOINER		Not in repair kit
27	MT5112 2164 00	PVC HIGH POWER PIPE		Not in repair kit, order by metre
28	MT3128 2538 73	HOSE STUD - 7/16"		Not in repair kit
29	MT3128 2538 77	HOSE STUD 90° SHORT - 7/16"		Not in repair kit
30	MT3128 2538 79	THREADED SLEEVE - 7/16"		Not in repair kit
31	MT3128 2538 87	GREASE DISTRIBUTOR BLOCK 10 PORT		Not in repair kit



Auto Grease Repair Kit



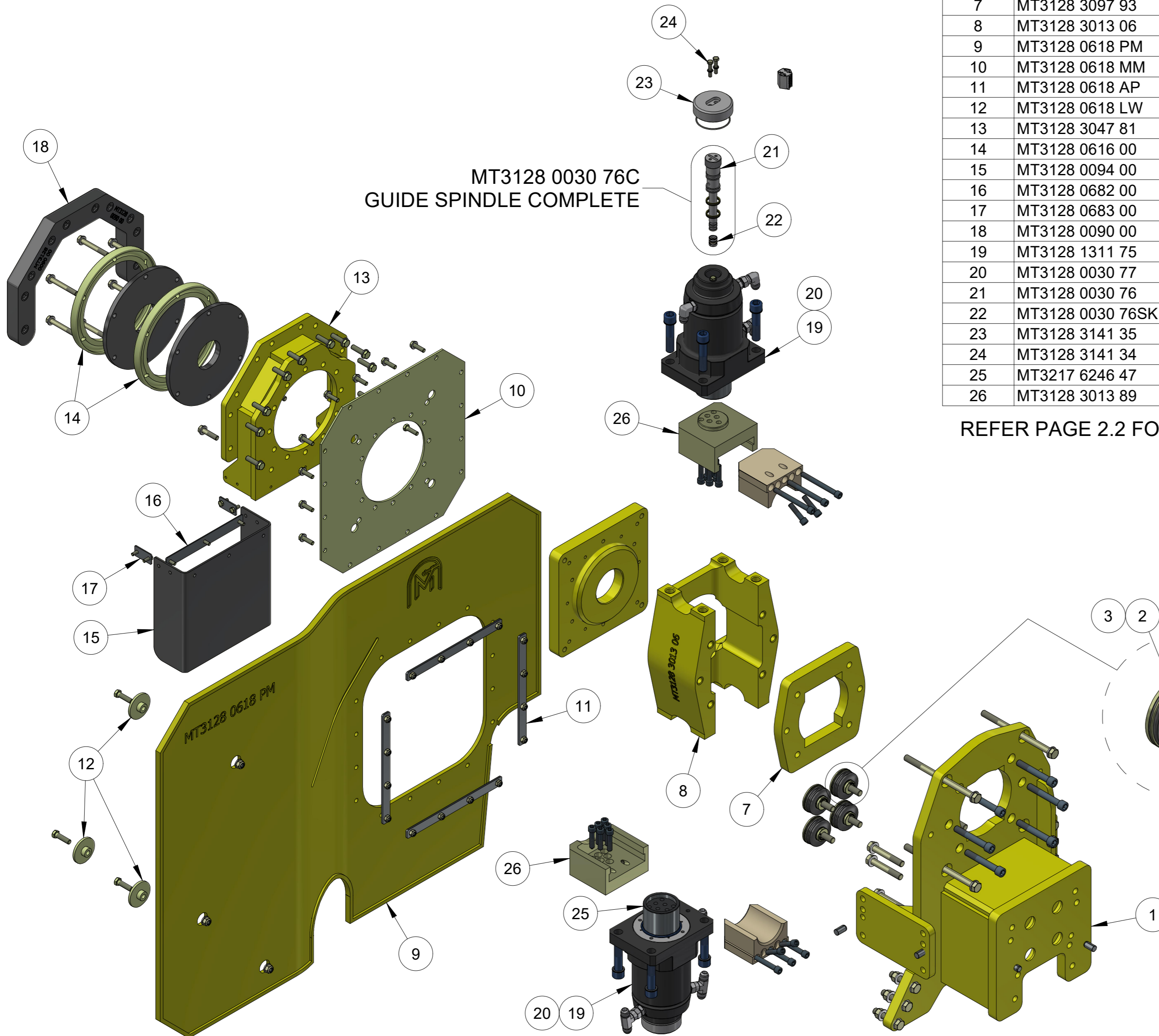
PART NUMBER <b>MT3128 2538 189</b>	DESCRIPTION <b>AUTO GREASE REPAIR KIT</b>
	
MT Parts: 0407 059 610 1 Hahey Circuit, Roseworthy S.A. 5371 171 Dugan Street, Kalgoorlie W.A. 6430 <a href="mailto:parts@mtunderground.com">parts@mtunderground.com</a> <a href="http://www.mtunderground.com">www.mtunderground.com</a>	
PAGE <b>1.9</b>	

SECTION 2: FEED



PART NUMBER	DESCRIPTION
MT3128 E701 C	FEED ASSEMBLY
	MT Parts: 0407 059 610 1 Haehy Circuit, Roseworthy S.A. 5371 171 Dugan Street, Kalgoorlie W.A. 6430 <a href="mailto:parts@mtunderground.com">parts@mtunderground.com</a> <a href="http://www.mtunderground.com">www.mtunderground.com</a>
 <b>MAINTENANCE TECHNIQUE</b>	

MT3128 0030 76C  
GUIDE SPINDLE COMPLETE



ITEM	PART NUMBER	DESCRIPTION	QTY	COMMENTS
1	MT3128 3105 16	FRONT PLATE	1	
2	MT3128 3097 90	WASHER	4	
3	MT0663 2102 09	O-RING	4	
4	MT3128 3097 91	SLEEVE	4	
5	MT0663 6131 00	O-RING	4	
6	MT0384 3546 00	DISC SPRING	16	
7	MT3128 3097 93	INTERM PLATE	1	
8	MT3128 3013 06	DRILL STEEL SUPPORT	1	
9	MT3128 0618 PM	CAROUSEL PROTECTION MAT	1	
10	MT3128 0618 MM	MAT MOUNT	1	
11	MT3128 0618 AP	ATTACHMENT PLATE	4	
12	MT3128 0618 LW	MAT WASHER	3	
13	MT3128 3047 81	CUTTING GUIDE	1	
14	MT3128 0616 00	CUTTING RING	2	
15	MT3128 0094 00	RUBBER CLOTH	1	
16	MT3128 0682 00	SHIM	1	
17	MT3128 0683 00	SHIM	2	
18	MT3128 0090 00	COLLARING PART	1	
19	MT3128 1311 75	HYDRAULIC CYLINDER	2	
20	MT3128 0030 77	CYLINDER SEAL KIT	1	Includes spindle seals
21	MT3128 0030 76	GUIDE SPINDLE	2	
22	MT3128 0030 76SK	GUIDE SPINDLE SEAL KIT	1	
23	MT3128 3141 35	COVER	2	
24	MT3128 3141 34	M8x40 HEX HD	4	
25	MT3217 6246 47	PISTON ROD	2	
26	MT3128 3013 89	SIMBA JAW HOLDER	2	

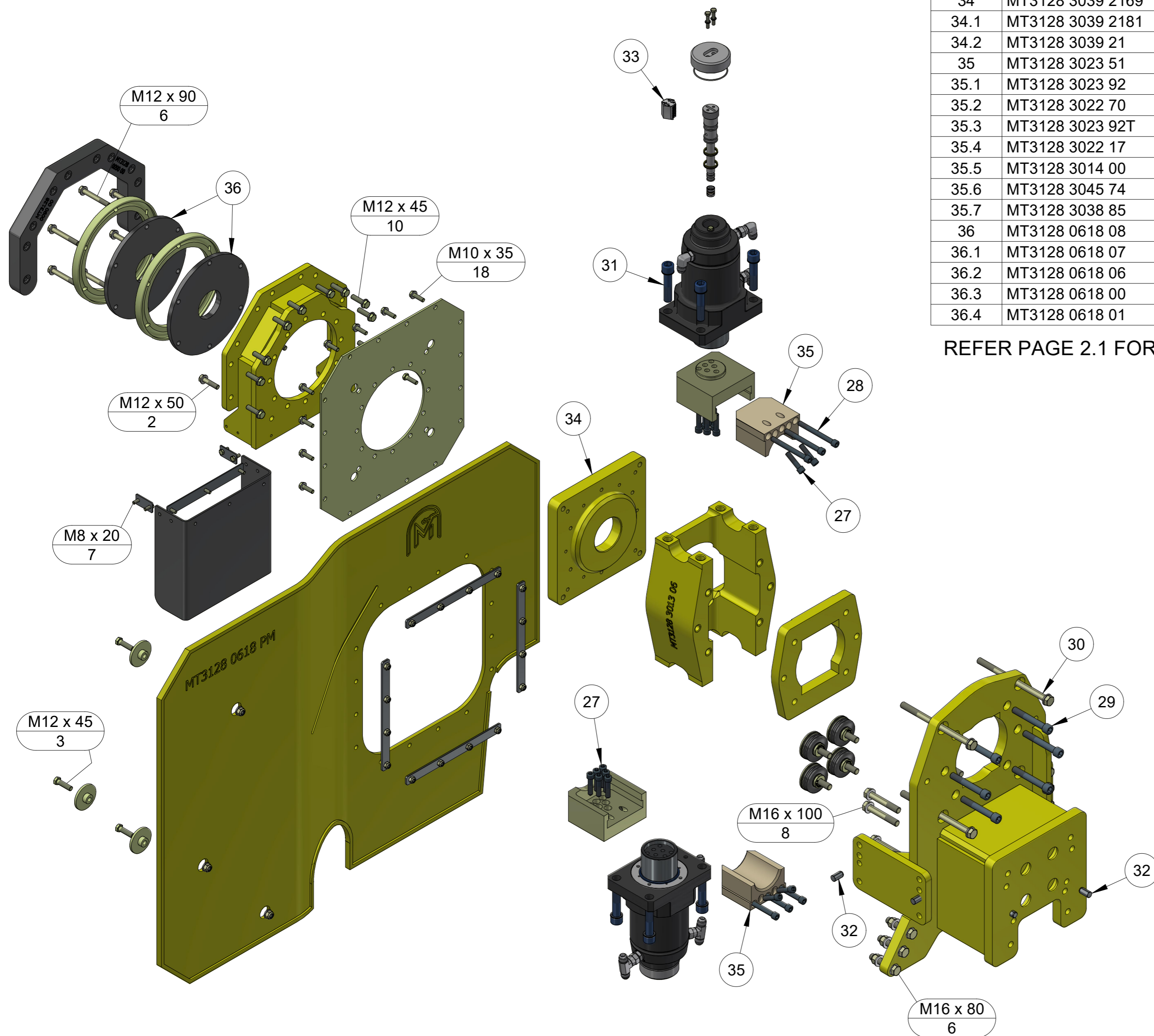
REFER PAGE 2.2 FOR ITEMS NOT LISTED ABOVE

MT0384 3546 00C  
FEED CYLINDER RETAINER KIT

PART NUMBER: MT3128 0020 26-2  
DESCRIPTION: FEED FRONT



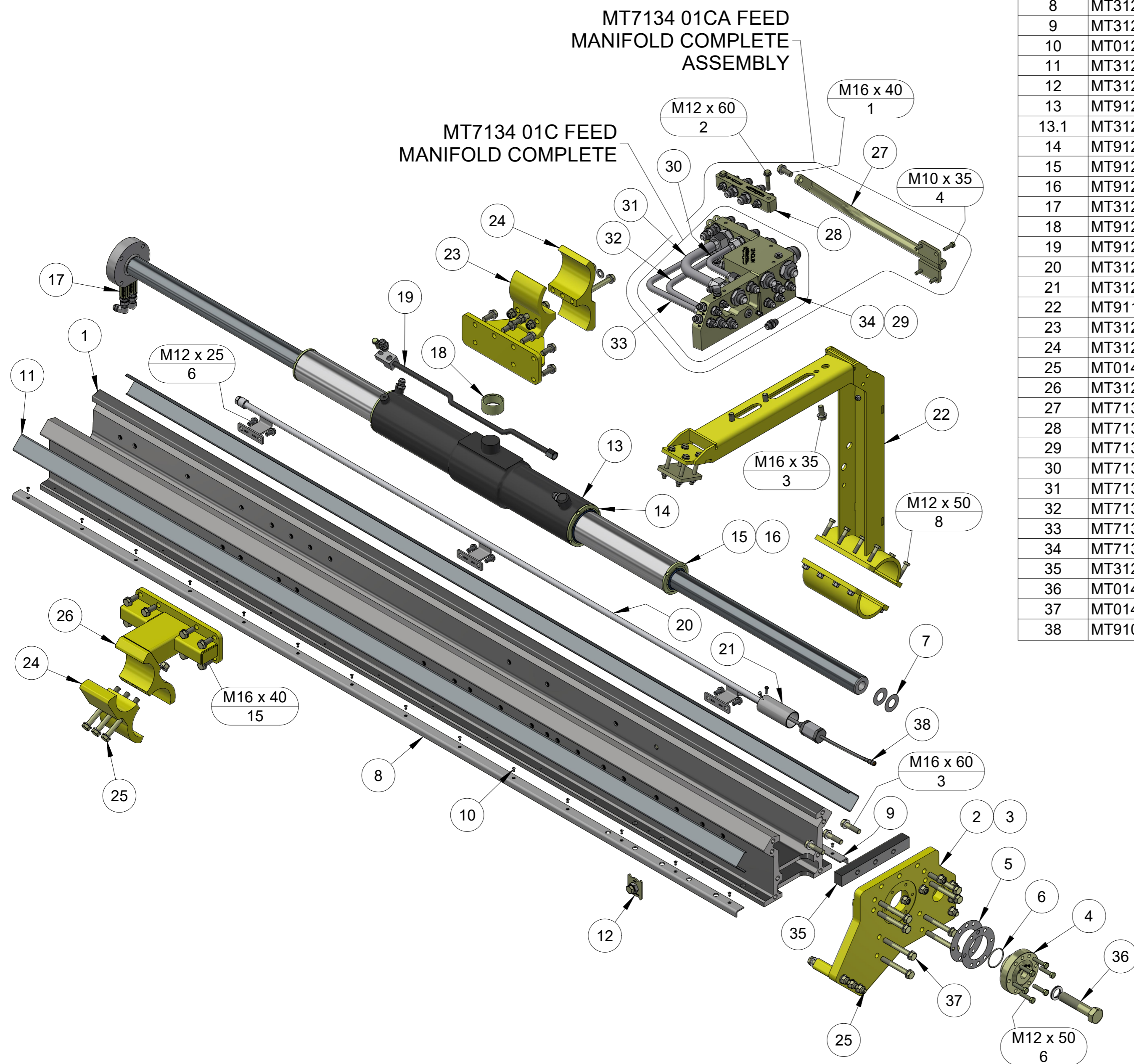
MT Parts: 0407 059 610  
1 Haehy Circuit, Roseworthy S.A. 5371  
171 Dugan Street, Kalgoorlie W.A. 6430  
[parts@mtunderground.com](mailto:parts@mtunderground.com)  
[www.mtunderground.com](http://www.mtunderground.com)



ITEM	PART NUMBER	DESCRIPTION	QTY	COMMENTS
27	MT0211 1963 02	M12x50 SHCS	16	
28	MT0211 1963 44	M12x120 SHCS	6	
29	MT0211 1963 42	M16x110 SHCS	6	
30	MT0147 1501 03	M16x240 HEX HD	4	
31	MT0211 1963 35	M20x90 SHCS	8	
32	MT3128 3022 32	PIN	4	
33	MT3128 0672 02	BSH ADJUSTING TOOL	1	
34	MT3128 3039 2169	INTERM. PLATE - GUIDE 64mm	1	T45
34.1	MT3128 3039 2181	INTERM. PLATE - GUIDE 76mm	1	T58
34.2	MT3128 3039 21	INTERM. PLATE - GUIDE 87mm	1	T68
35	MT3128 3023 51	CHECK 32mm SPEED ROD	2	R32
35.1	MT3128 3023 92	CHECK 38mm SPEED ROD	2	T38
35.2	MT3128 3022 70	CHECK 45mm SPEED ROD	2	T45
35.3	MT3128 3023 92T	CHECK T38 TUBE JAW	2	T38
35.4	MT3128 3022 17	CHECK 64mm TUBE JAW	2	ST45
35.5	MT3128 3014 00	CHECK T51 TUBE JAW	2	T51
35.6	MT3128 3045 74	CHECK 76mm TUBE JAW	2	T58
35.7	MT3128 3038 85	CHECK 87mm TUBE JAW	2	T68
36	MT3128 0618 08	TUBE CUTTING GASKET 32-36mm	2	T32
36.1	MT3128 0618 07	TUBE CUTTING GASKET 38mm	2	T38
36.2	MT3128 0618 06	TUBE CUTTING GASKET 45mm	2	T45
36.3	MT3128 0618 00	TUBE CUTTING GASKET 64-76mm	2	ST58
36.4	MT3128 0618 01	TUBE CUTTING GASKET 87mm	2	ST68

REFER PAGE 2.1 FOR ITEMS NOT LISTED ABOVE

PART NUMBER	DESCRIPTION
MT3128 0020 26-3	FEED FRONT
 	
MT Parts: 0407 059 610 1 Haehy Circuit, Roseworthy S.A. 5371 171 Dugan Street, Kalgoorlie W.A. 6430 <a href="mailto:parts@mtunderground.com">parts@mtunderground.com</a> <a href="http://www.mtunderground.com">www.mtunderground.com</a>	
PAGE	2.2



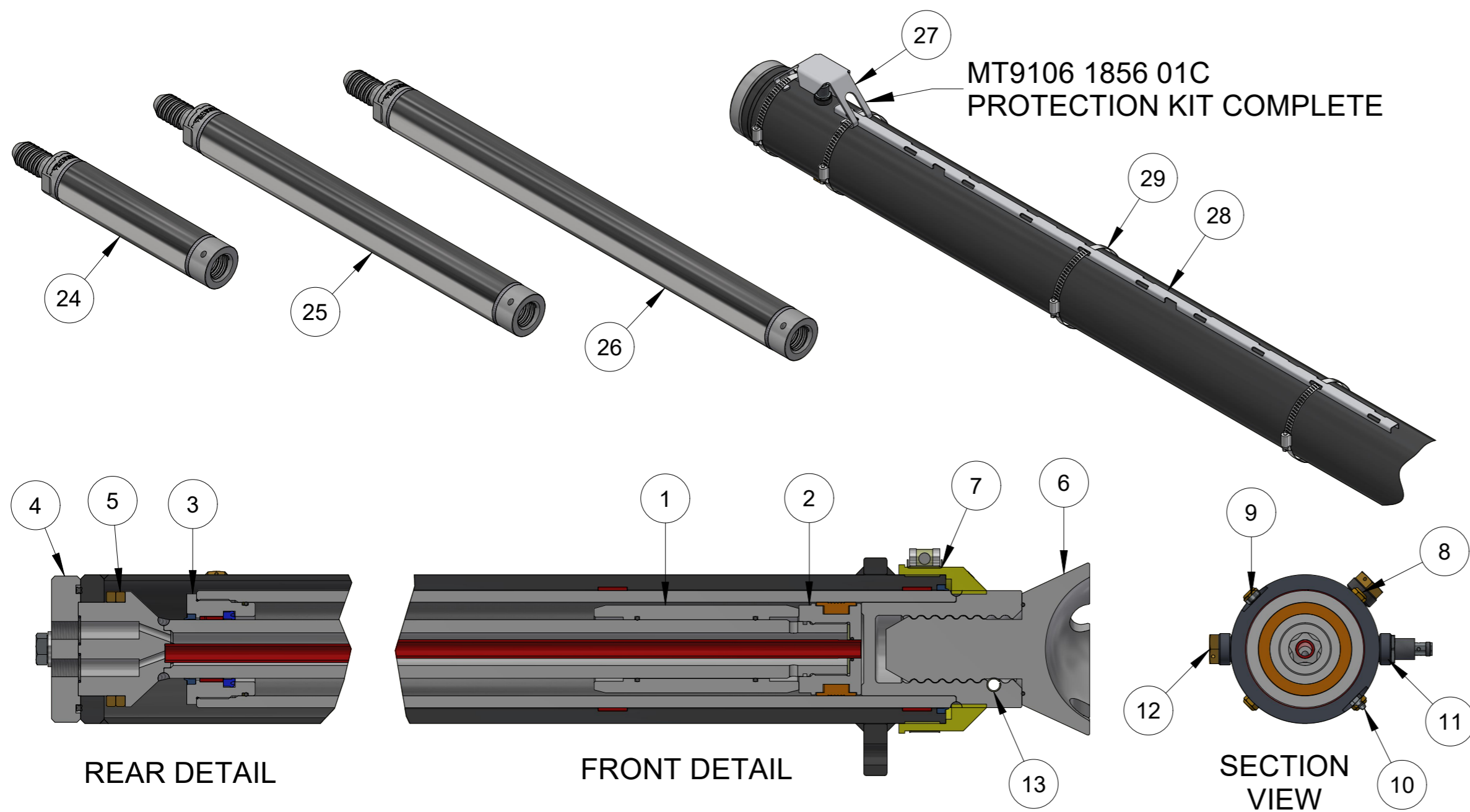
ITEM	PART NUMBER	DESCRIPTION	QTY	COMMENTS
1	MT3128 0030 62	FEED BEAM	1	Includes items 8 - 12
2	MT3128 3097 88	END PLATE COMPLETE	1	Includes items 3 - 7
3	MT3128 3097 88P	END PLATE	1	
4	MT3128 3097 88B	END PLATE ATTACHMENT	1	
5	MT3128 3097 88BS	END PLATE ATTACHMENT SHIM	2	
6	MT0663 2103 67	O-RING	1	
7	MT9236 2002 69	SHIM	2	
8	MT3128 0034 05	SLIDE BAR LEFT	1	
9	MT3128 0034 06	SLIDE BAR RIGHT	1	
10	MT0129 3270 44	BLIND RIVET S/S	28	
11	MT3128 0034 01	CLIP-ON 200 SERIES	2	
12	MT3128 0034 013	CLIP-ON LOCKING ASSEMBLY	2	
13	MT9121 7221 01SX	FEED CYLINDER 1.8m	1	Service ex.
13.1	MT3128 3019 97SX	FEED CYLINDER 1.5m	0	Service ex.
14	MT9122 4332 50	COVER	2	
15	MT9126 2770 50	COVER	2	
16	MT9121 6526 50	FEED CYLINDER SEAL KIT	1	Complete
17	MT3128 0785 74	EXTENSION	2	
18	MT9127 2523 00	PLAIN BEARING	1	
19	MT9126 2714 00	PIPE	1	
20	MT3128 3097 99	SENSOR BRACKET	1	
21	MT3128 0030 19	PROTECT COVER	1	
22	MT9111 0004 06	HOSE BRACKET	1	
23	MT3128 3161 62	ATTACHMENT	1	
24	MT3128 3098 12	CLAMP	2	
25	MT0147 1496 03	M16x160 HEX HD	12	
26	MT3128 3098 13	ATTACHMENT	1	
27	MT7134 01B	BRACKET	1	
28	MT7134 02	BULKHEAD	1	
29	MT7134 01FK	FITTINGS KIT	1	
30	MT7134 PT	HYDRAULIC PIPE	1	
31	MT7134 RL	HYDRAULIC PIPE	1	
32	MT7134 FF	HYDRAULIC PIPE	1	
33	MT7134 FR	HYDRAULIC PIPE	1	
34	MT7134 01	FEED MANIFOLD	1	
35	MT3128 0037 00	DAMPING	1	
36	MT0147 1959 28	M30x150 HEX HD	1	
37	MT0147 1492 03	M16x120 HEX HD	8	
38	MT9106 2192 17	LINEAR SENSOR RCS4/5	1	

PART NUMBER: **MT3128 0020 26-4** DESCRIPTION: **FEED REAR**

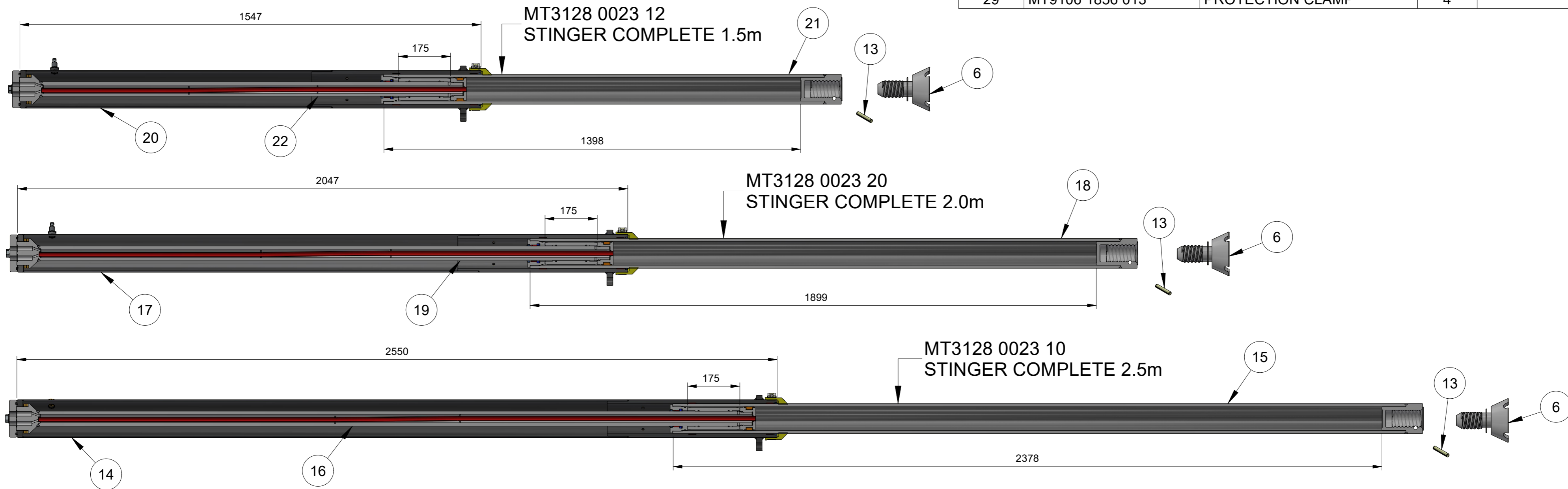



MT Parts: 0407 059 610  
 1 Haehy Circuit, Roseworthy S.A. 5371  
 171 Dugan Street, Kalgoorlie W.A. 6430  
[parts@mtunderground.com](mailto:parts@mtunderground.com)  
[www.mtunderground.com](http://www.mtunderground.com)

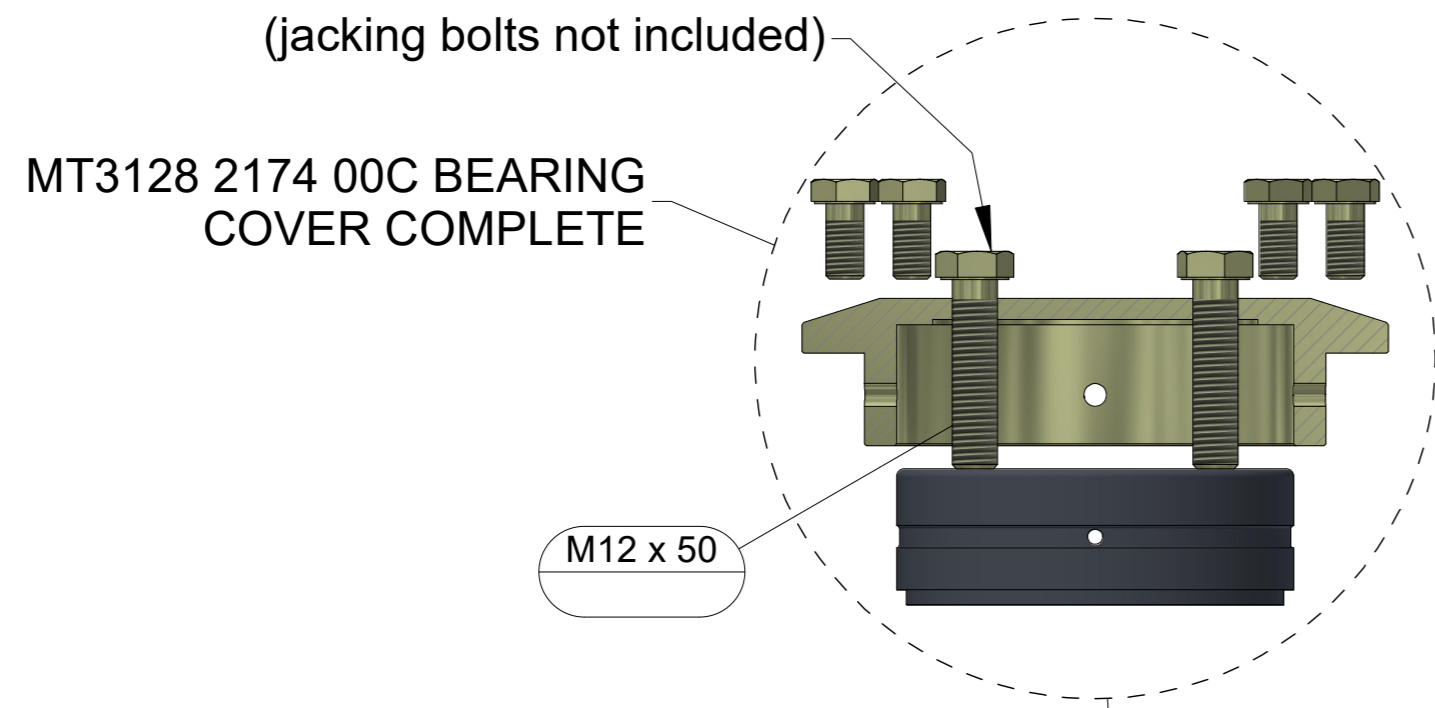
PAGE: **2.3**



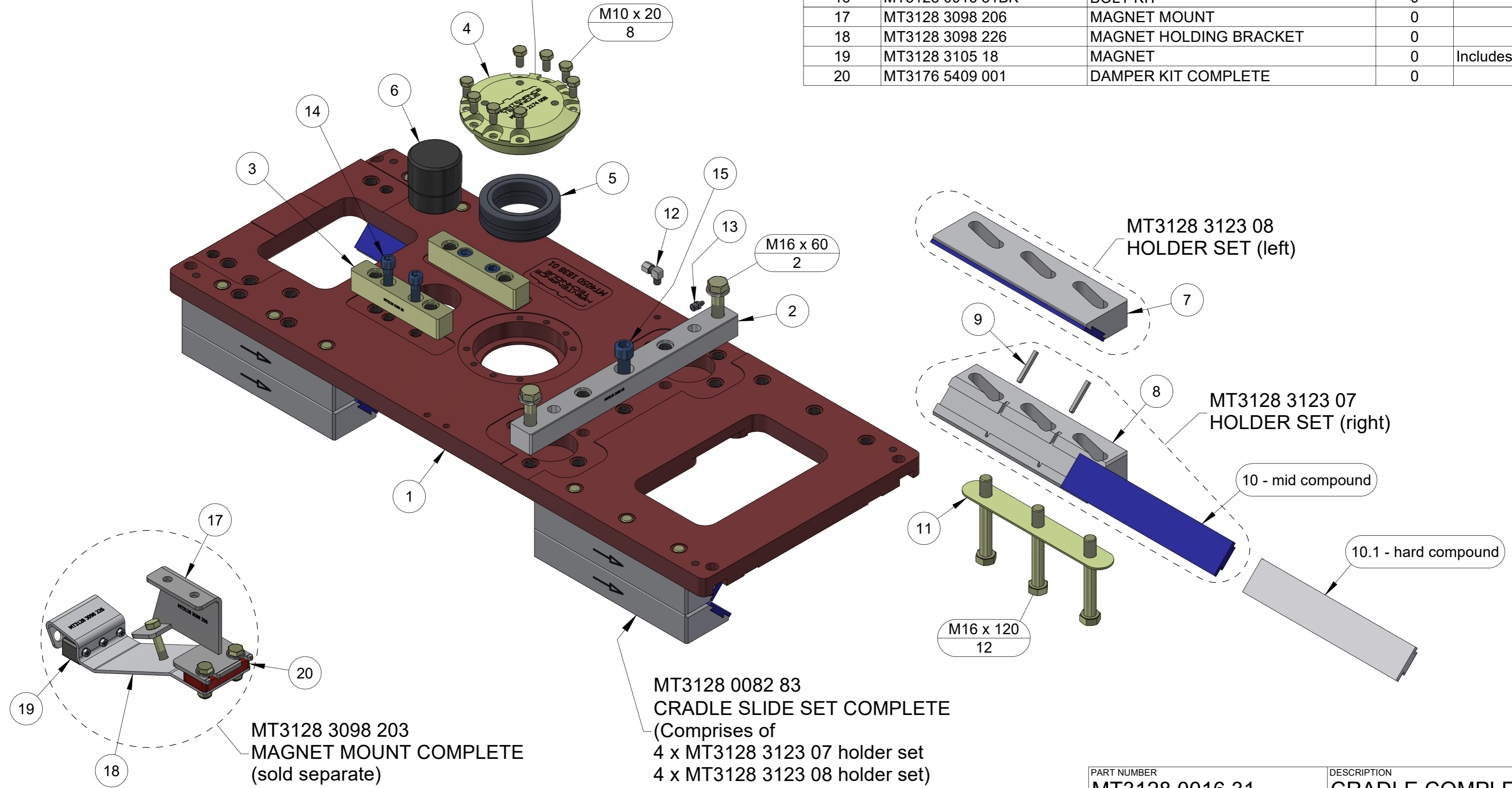
ITEM	PART NUMBER	DESCRIPTION	QTY	COMMENTS
1	MT9128 4285 175	SPACER	1	
2	MT3128 2592 16	PISTON	1	
3	MT9126 3960 00	COVER	1	
4	MT9236 2017 61	BLOCK	1	
5	MT9236 2017 62	WASHER	2	
6	MT9236 2027 42	STINGER FOOT	1	MT only, includes o-ring
7	MT3128 2191 72S	SEAL + CLAMP	1	
8	MT9236 2017 63	FILTER PLUG	4	
9	MT3128 3005 37	PLUG	1	
10	MT0544 2162 00	GREASE NIPPLE	1	
11	MT9106 1856 01	INDUCTIVE SENSOR	1	
12	MT9106 1856 01P	BREATHER PLUG	2	MT only
13	MT9236 2027 421	PIN	1	
14	MT3128 2191 703	OUTER TUBE 2500	1	
15	MT3128 2191 743	MANTLE 2500	1	
16	MT3128 2191 723	PISTON ROD 2500	1	MT only
17	MT3128 0023 200	OUTER TUBE 2000	1	
18	MT3128 2191 742	MANTLE 2000	1	
19	MT3128 2191 722	PISTON ROD 2000	1	
20	MT3128 0023 125	OUTER TUBE 1500	1	
21	MT3128 2191 741	MANTLE 1500	1	MT only
22	MT3128 2191 72	PISTON ROD 1500	1	Includes item 1
23	MT3128 2191 71	STINGER SEAL KIT	1	Item 7 not included
24	MT9111 2826 101	STINGER EXTENSION	1	ST58 - 500mm
25	MT9111 2826 121	STINGER EXTENSION	1	ST58 - 1000mm
26	MT9111 2826 131	STINGER EXTENSION	1	ST58 - 1250mm
27	MT9106 1856 011	SENSOR PROTECTION	1	
28	MT9106 1856 012	CABLE PROTECTION	1	
29	MT9106 1856 013	PROTECTION CLAMP	4	



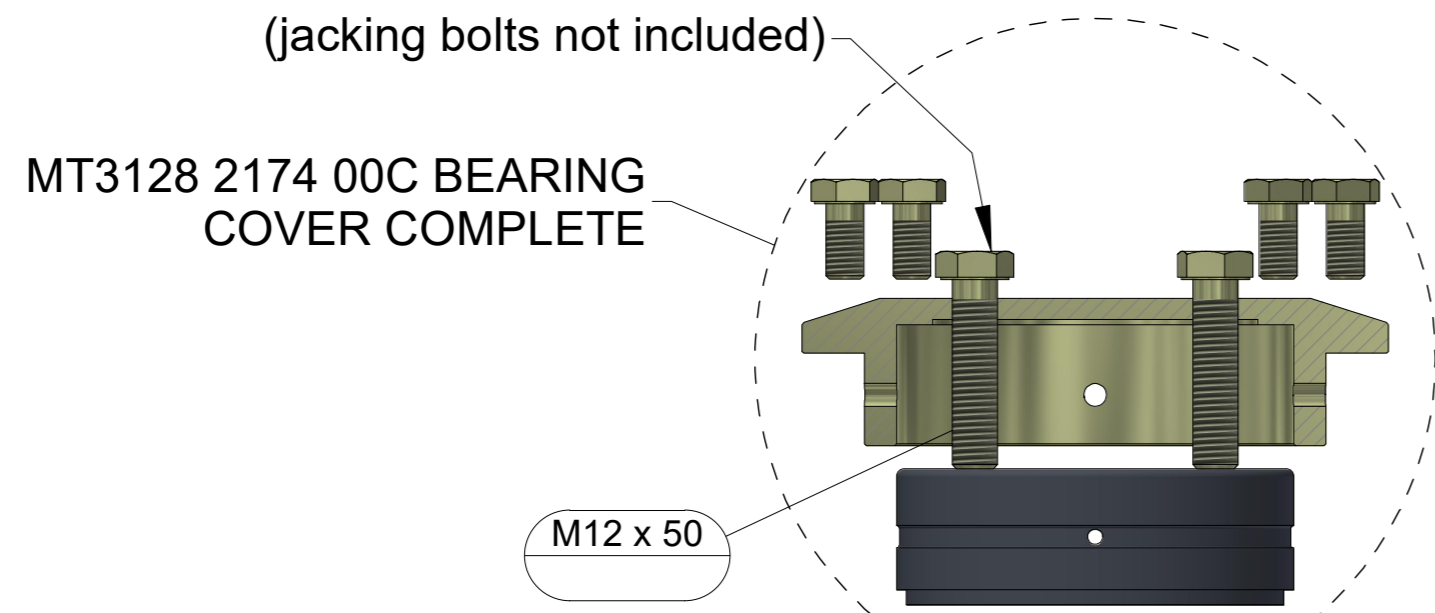
PART NUMBER <b>MT3128 0023 109</b>	DESCRIPTION <b>STINGERS - RHS27</b>
 	
MT Parts: 0407 059 610 1 Haehy Circuit, Roseworthy S.A. 5371 171 Dugan Street, Kalgoorlie W.A. 6430 <a href="mailto:parts@mtunderground.com">parts@mtunderground.com</a> <a href="http://www.mtunderground.com">www.mtunderground.com</a>	
PAGE	<b>2.4</b>



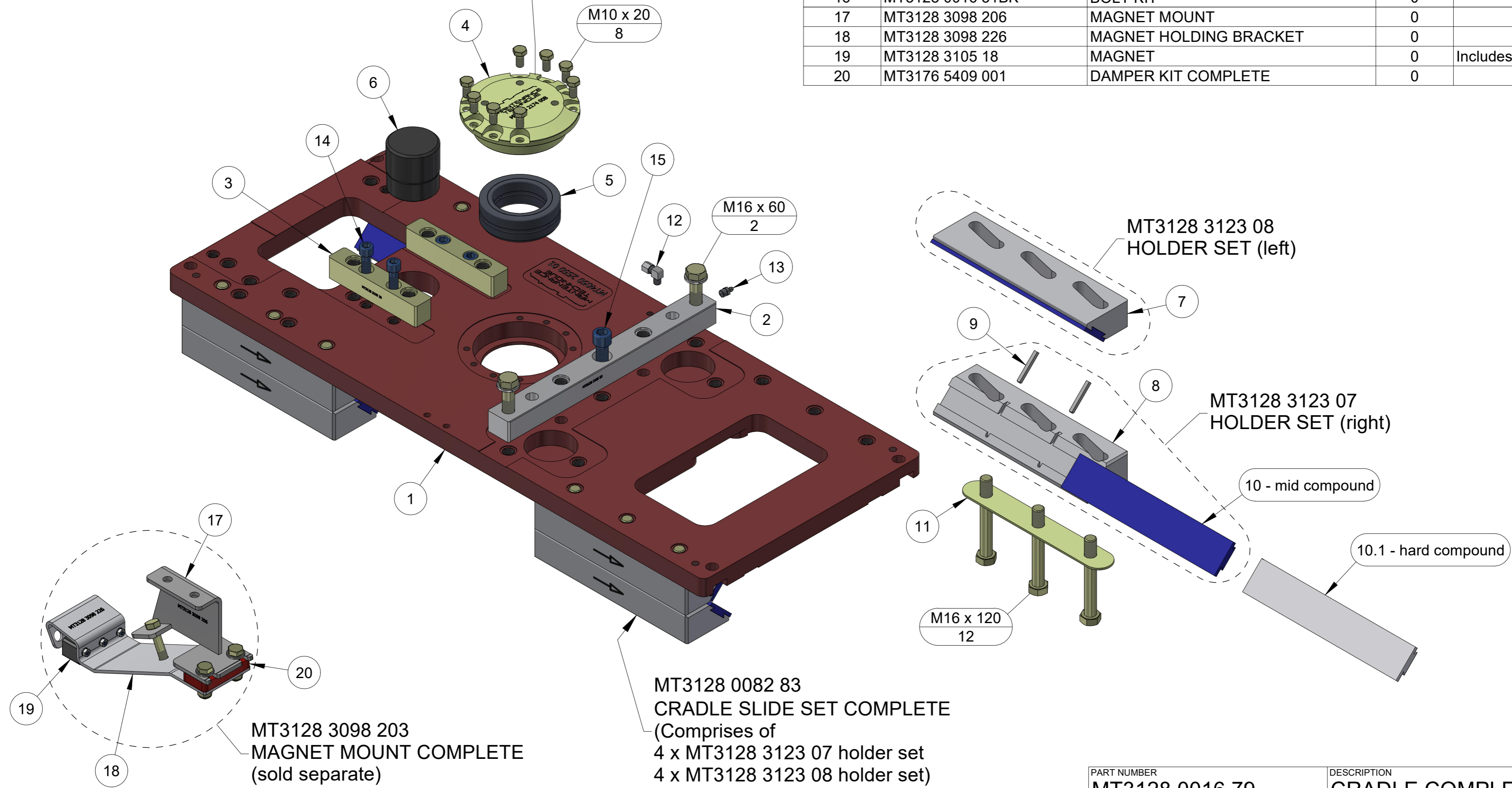
ITEM	PART NUMBER	DESCRIPTION	QTY	COMMENTS
1	MT4050 1838 01	UNIVERSAL CRADLE	1	
2	MT3128 3105 22	SPACER	1	
3	MT3128 3105 20	SPACER	2	
4	MT3128 2174 00B	BEARING COVER	1	MT only
5	MT3128 0314 00	BEARING	1	
6	MT3128 3098 07	DRIVER	1	
7	MT3128 0083 00	SLIDE HOLDER LH	4	
8	MT3128 0082 00	SLIDE HOLDER RH	4	
9	MT3128 0646 00	SLIDE KEY	16	
10	MT3128 3043 55	NYLON SLIDE - BLUE	8	Upholes - mid
10.1	MT3128 3043 55H	NYLON SLIDE - WHITE	0	Downholes - hard
11	MT0333 0500 03	WASHER PLATE	4	
12	MT0580 2202 00	COUPLING 90°	1	
13	MT0544 2162 00	GREASE NIPPLE	1	
14	MT0211 1962 94	M12x40 SHCS	4	
15	MT0211 1962 95	M16x40 SHCS	1	
16	MT3128 0016 31BK	BOLT KIT	0	
17	MT3128 3098 206	MAGNET MOUNT	0	
18	MT3128 3098 226	MAGNET HOLDING BRACKET	0	
19	MT3128 3105 18	MAGNET	0	Includes bolts & nuts
20	MT3176 5409 001	DAMPER KIT COMPLETE	0	



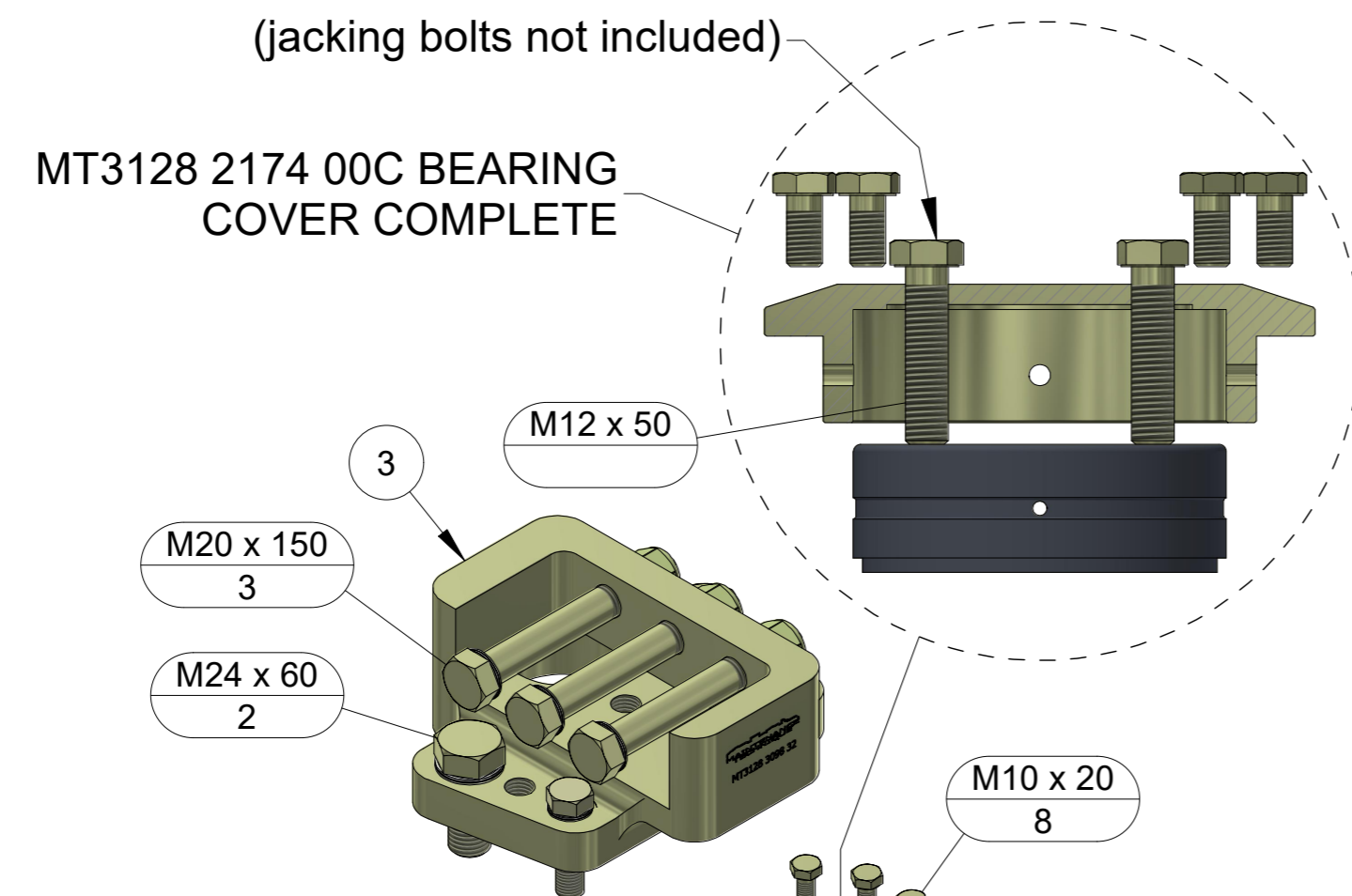
PART NUMBER <b>MT3128 0016 31</b>	DESCRIPTION <b>CRADLE COMPLETE - 1838</b>
MT Parts: 0407 059 610 1 Haehy Circuit, Roseworthy S.A. 5371 171 Dugan Street, Kalgoorlie W.A. 6430 <a href="mailto:parts@mtunderground.com">parts@mtunderground.com</a> <a href="http://www.mtunderground.com">www.mtunderground.com</a>	
PAGE	<b>2.5</b>



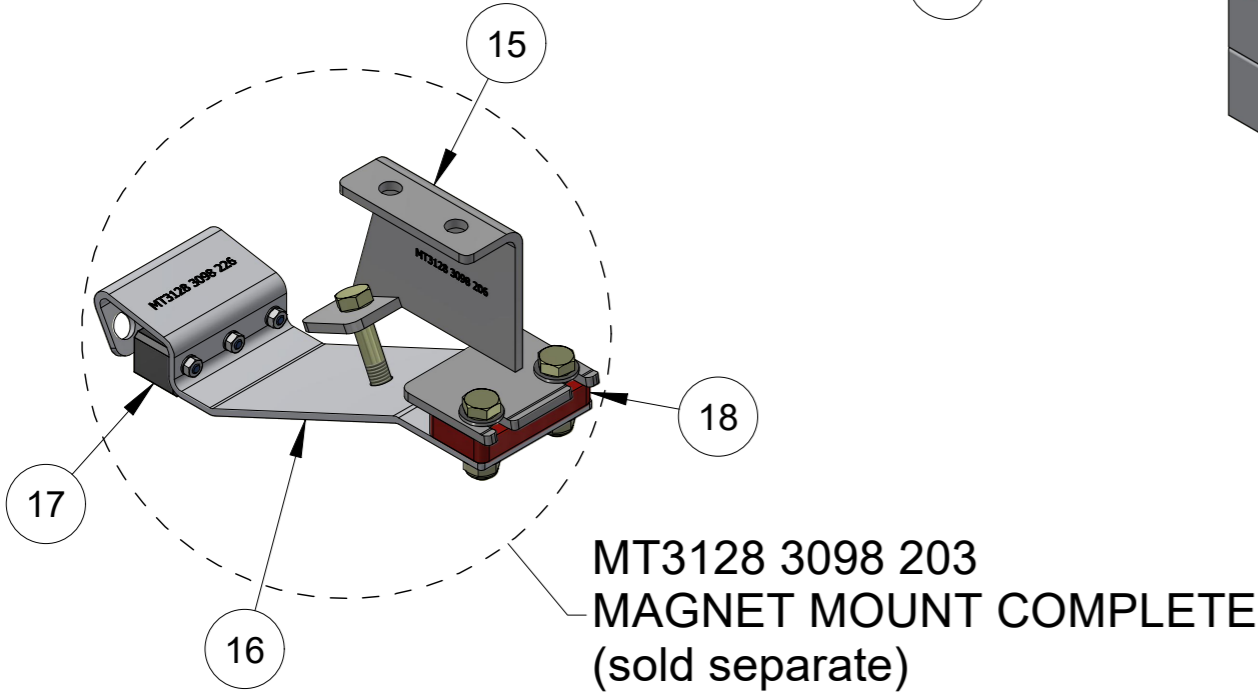
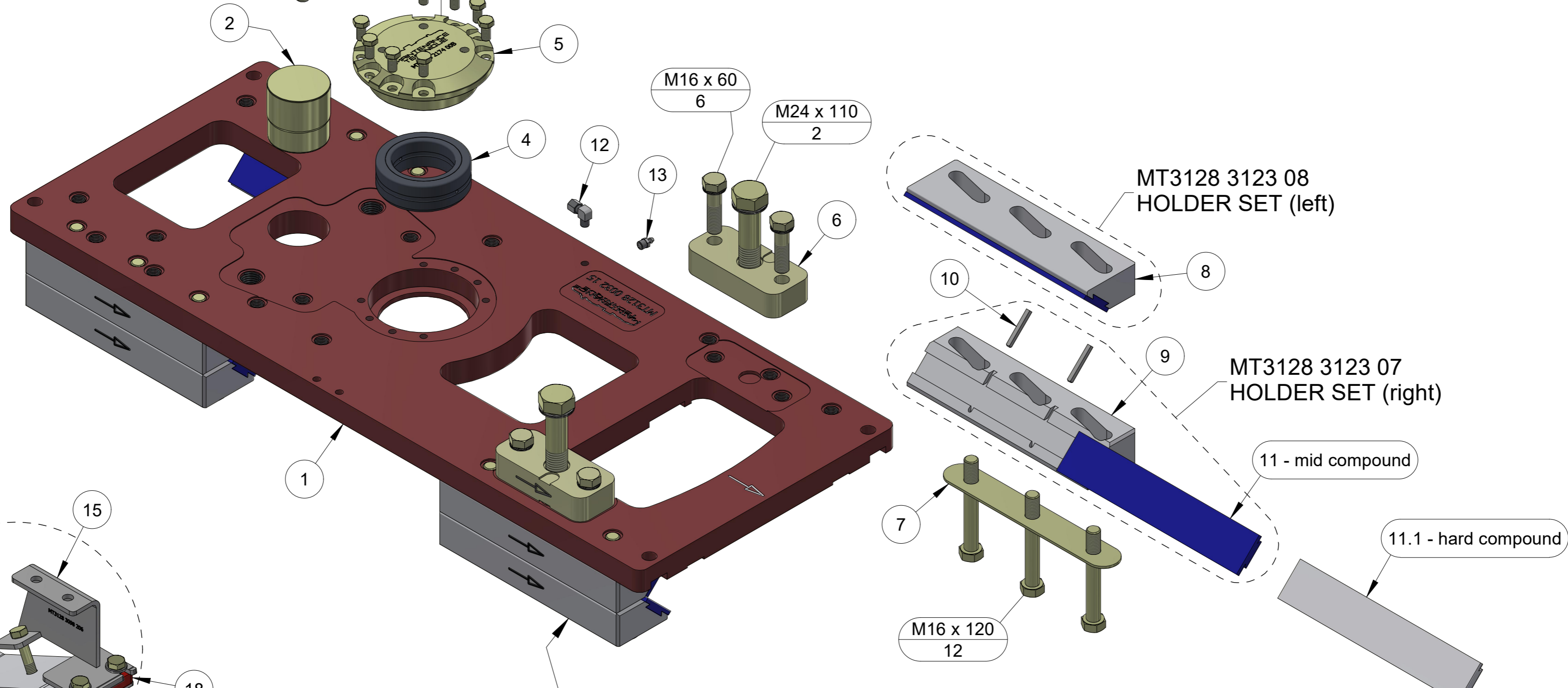
ITEM	PART NUMBER	DESCRIPTION	QTY	COMMENTS
1	MT4050 2550 01	UNIVERSAL CRADLE	1	
2	MT3128 3105 22	SPACER	1	
3	MT3128 3105 20	SPACER	2	
4	MT3128 2174 00B	BEARING COVER	1	MT only
5	MT3128 0314 00	BEARING	1	
6	MT3128 3098 07	DRIVER	1	
7	MT3128 0083 00	SLIDE HOLDER LH	4	
8	MT3128 0082 00	SLIDE HOLDER RH	4	
9	MT3128 0646 00	SLIDE KEY	16	
10	MT3128 3043 55	NYLON SLIDE - BLUE	8	Upholes - mid
10.1	MT3128 3043 55H	NYLON SLIDE - WHITE	0	Downholes - hard
11	MT0333 0500 03	WASHER PLATE	4	
12	MT0580 2202 00	COUPLING 90°	1	
13	MT0544 2162 00	GREASE NIPPLE	1	
14	MT0211 1962 94	M12x40 SHCS	4	
15	MT0211 1962 95	M16x40 SHCS	1	
16	MT3128 0016 31BK	BOLT KIT	0	
17	MT3128 3098 206	MAGNET MOUNT	0	
18	MT3128 3098 226	MAGNET HOLDING BRACKET	0	
19	MT3128 3105 18	MAGNET	0	Includes bolts & nuts
20	MT3176 5409 001	DAMPER KIT COMPLETE	0	





PART NUMBER <b>MT3128 0016 79</b>	DESCRIPTION <b>CRADLE COMPLETE - 2550</b>
MT Parts: 0407 059 610 1 Haehy Circuit, Roseworthy S.A. 5371 171 Dugan Street, Kalgoorlie W.A. 6430 <a href="mailto:parts@mtunderground.com">parts@mtunderground.com</a> <a href="http://www.mtunderground.com">www.mtunderground.com</a>	
PAGE	<b>2.6</b>



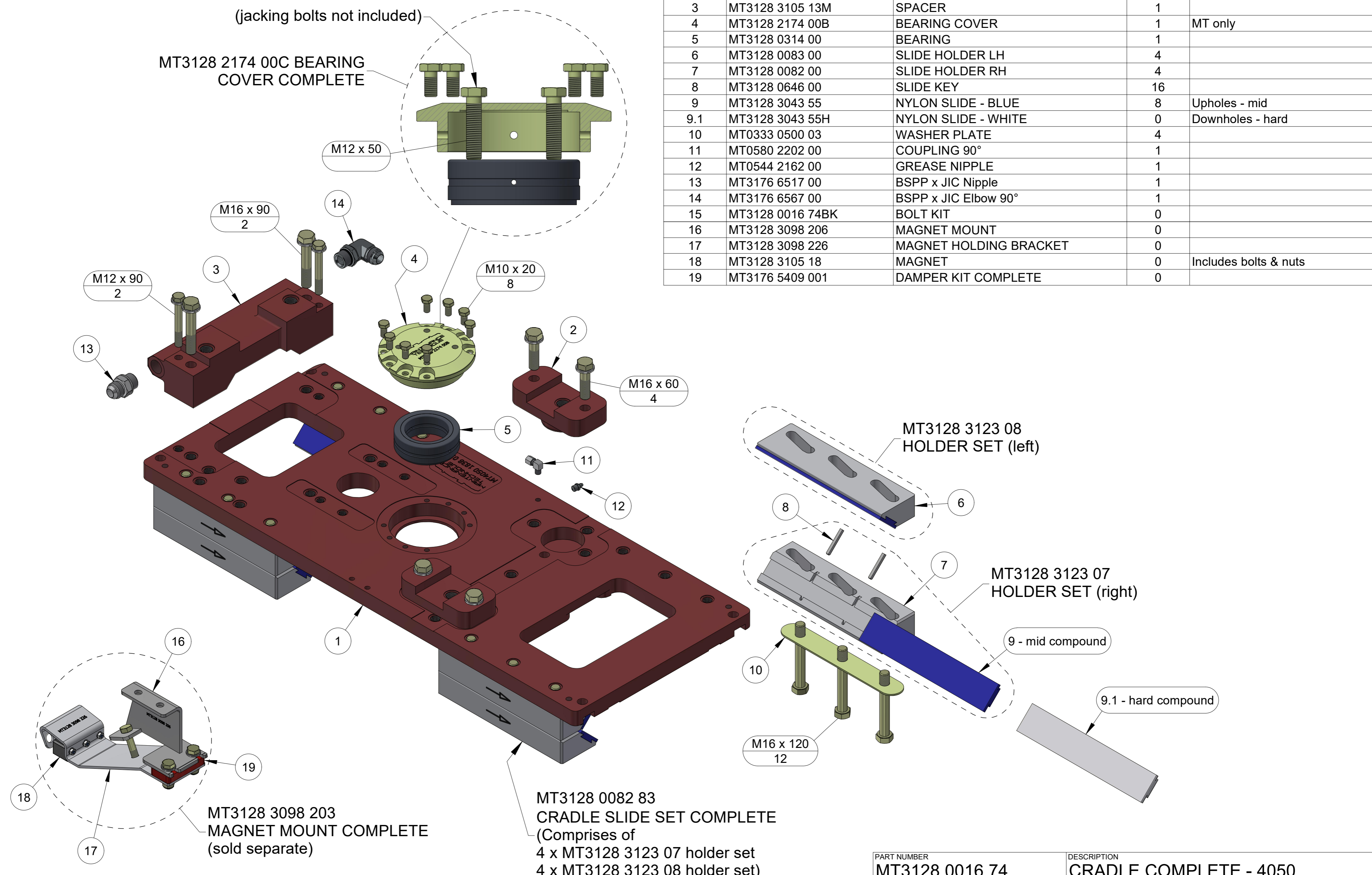
ITEM	PART NUMBER	DESCRIPTION	QTY	COMMENTS
1	MT3128 0032 15	CRADLE 3060B	1	
2	MT3128 3098 29	DRIVER	1	
3	MT3128 3098 32	ATTACHMENT	1	
4	MT3128 0314 00	BEARING	1	
5	MT3128 2174 00B	BEARING COVER	1	MT only
6	MT3128 3098 31	SPACER	2	
7	MT0333 0500 03	WASHER PLATE	4	
8	MT3128 0083 00	SLIDE HOLDER LH	4	
9	MT3128 0082 00	SLIDE HOLDER RH	4	
10	MT3128 0646 00	SLIDE KEY	16	
11	MT3128 3043 55	NYLON SLIDE - BLUE	8	Upholes - mid
11.1	MT3128 3043 55H	NYLON SLIDE - WHITE	0	Downholes - hard
12	MT0580 2202 00	COUPLING 90°	1	
13	MT0544 2162 00	GREASE NIPPLE	1	
14	MT3128 0016 43BK	BOLT KIT	0	
15	MT3128 3098 206	MAGNET MOUNT	0	
16	MT3128 3098 226	MAGNET HOLDING BRACKET	0	
17	MT3128 3105 18	MAGNET	0	Includes bolts & nuts
18	MT3176 5409 001	DAMPER KIT COMPLETE	0	





MT3128 0082 83  
CRADLE SLIDE SET COMPLETE  
(Comprises of  
4 x MT3128 3123 07 holder set  
4 x MT3128 3123 08 holder set)

PART NUMBER <b>MT3128 0016 43</b>	DESCRIPTION <b>CRADLE COMPLETE - 3060</b>
 	
MT Parts: 0407 059 610 1 Haesy Circuit, Roseworthy S.A. 5371 171 Dugan Street, Kalgoorlie W.A. 6430 <a href="mailto:parts@mtunderground.com">parts@mtunderground.com</a> <a href="http://www.mtunderground.com">www.mtunderground.com</a>	
PAGE	<b>2.7</b>

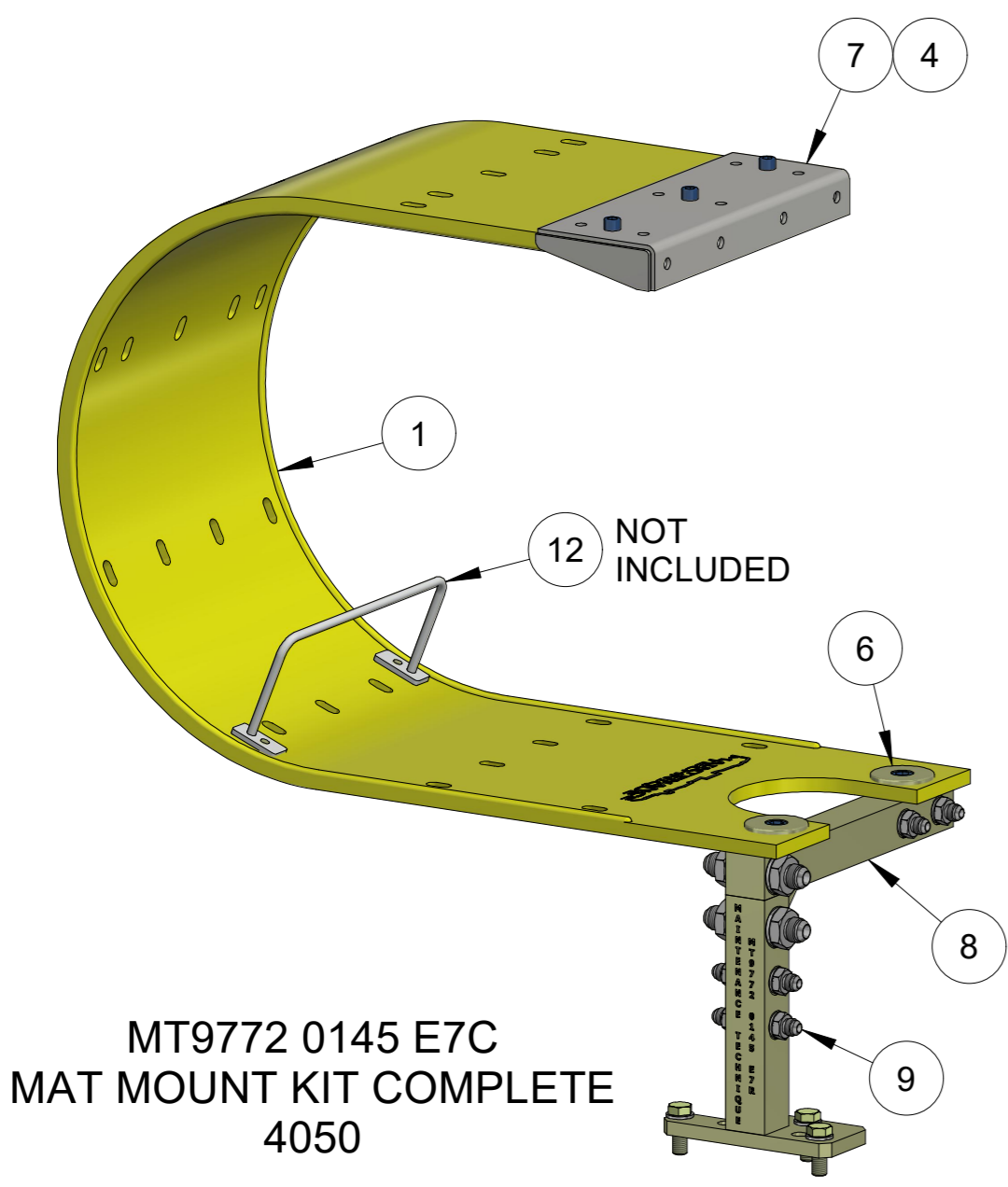
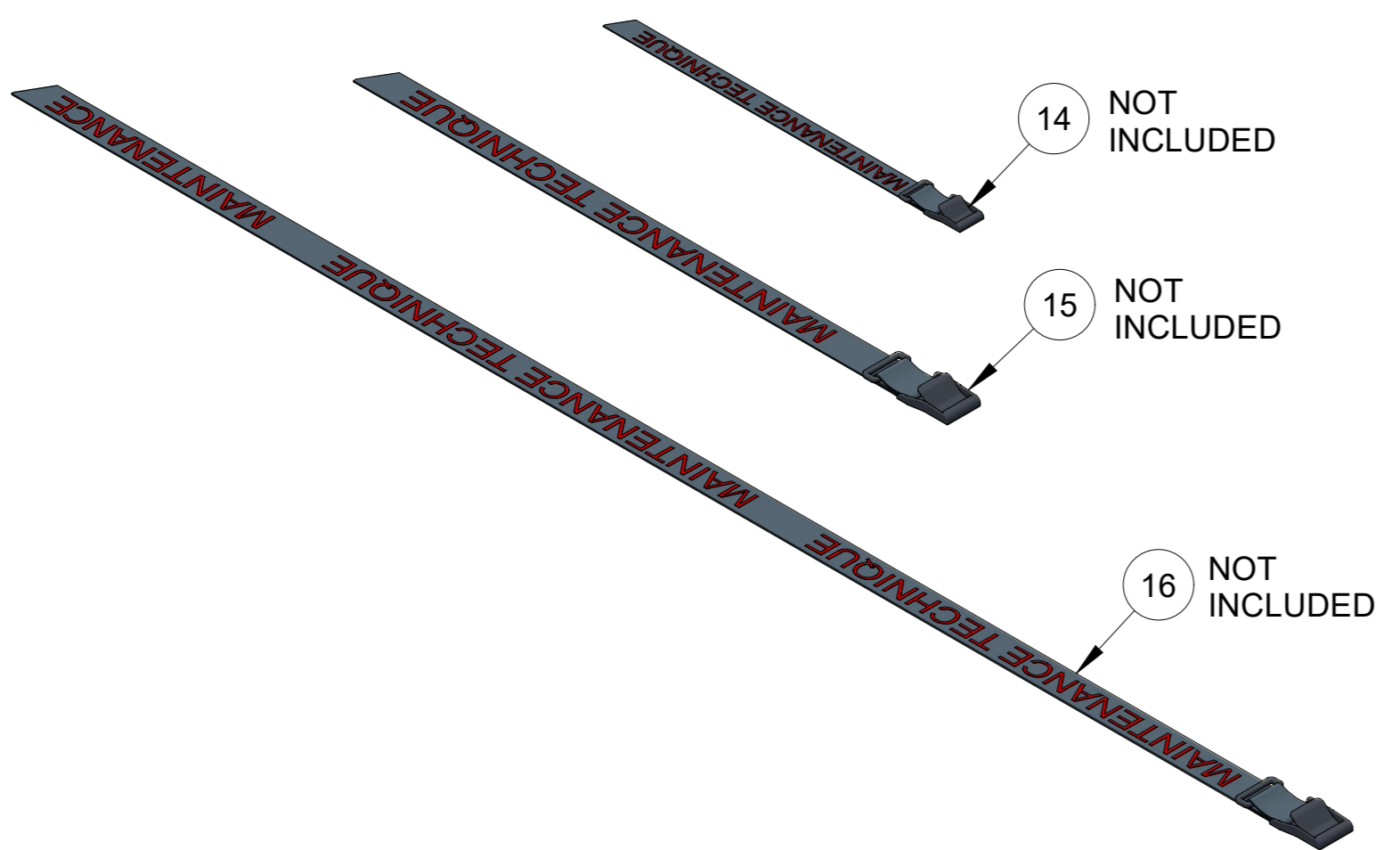
ITEM	PART NUMBER	DESCRIPTION	QTY	COMMENTS
1	MT4050 1838 01	UNIVERSAL CRADLE	1	
2	MT3128 3105 12	SPACER	2	
3	MT3128 3105 13M	SPACER	1	
4	MT3128 2174 00B	BEARING COVER	1	MT only
5	MT3128 0314 00	BEARING	1	
6	MT3128 0083 00	SLIDE HOLDER LH	4	
7	MT3128 0082 00	SLIDE HOLDER RH	4	
8	MT3128 0646 00	SLIDE KEY	16	
9	MT3128 3043 55	NYLON SLIDE - BLUE	8	Upholes - mid
9.1	MT3128 3043 55H	NYLON SLIDE - WHITE	0	Downholes - hard
10	MT0333 0500 03	WASHER PLATE	4	
11	MT0580 2202 00	COUPLING 90°	1	
12	MT0544 2162 00	GREASE NIPPLE	1	
13	MT3176 6517 00	BSPP x JIC Nipple	1	
14	MT3176 6567 00	BSPP x JIC Elbow 90°	1	
15	MT3128 0016 74BK	BOLT KIT	0	
16	MT3128 3098 206	MAGNET MOUNT	0	
17	MT3128 3098 226	MAGNET HOLDING BRACKET	0	
18	MT3128 3105 18	MAGNET	0	Includes bolts & nuts
19	MT3176 5409 001	DAMPER KIT COMPLETE	0	



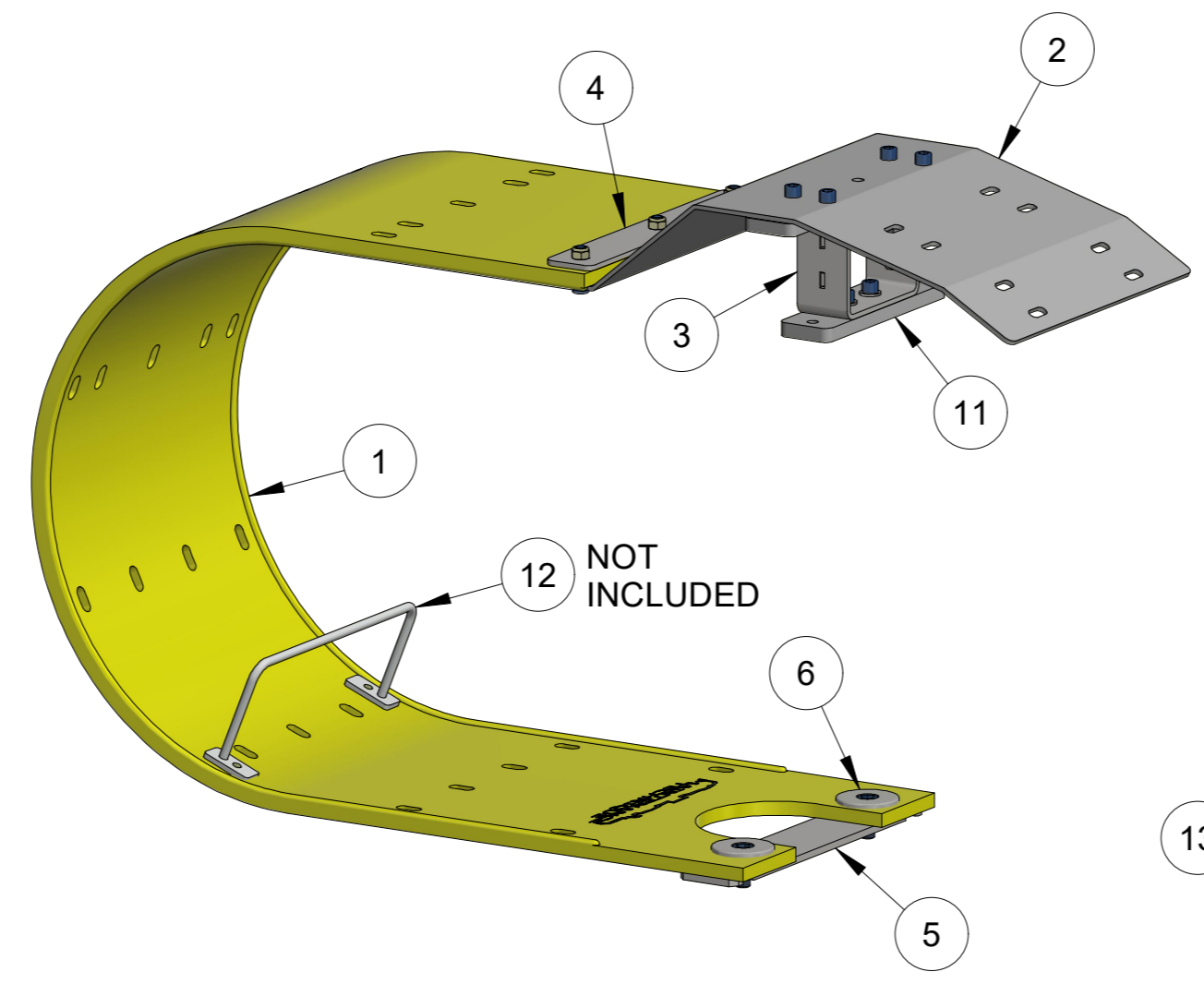
MT3128 0082 83  
 CRADLE SLIDE SET COMPLETE  
 (Comprises of  
 4 x MT3128 3123 07 holder set  
 4 x MT3128 3123 08 holder set)

PART NUMBER	DESCRIPTION
MT3128 0016 74	CRADLE COMPLETE - 4050
 	
MT Parts: 0407 059 610 1 Haehy Circuit, Roseworthy S.A. 5371 171 Dugan Street, Kalgoorlie W.A. 6430 <a href="mailto:parts@mtunderground.com">parts@mtunderground.com</a> <small>PAGE</small> <a href="http://www.mtunderground.com">www.mtunderground.com</a> <b>2.8</b>	

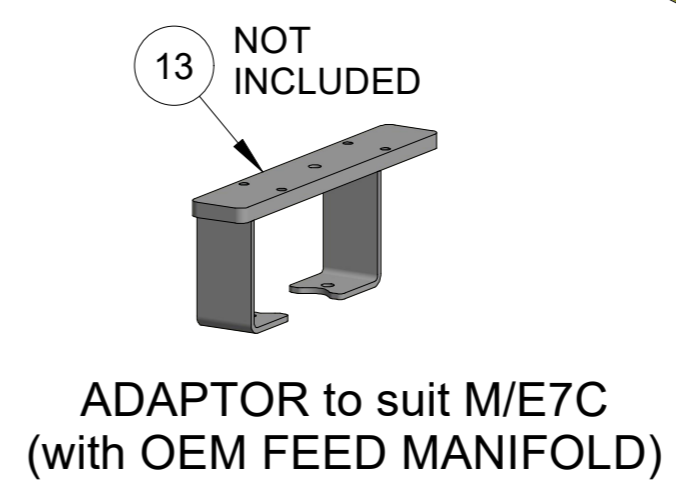
ITEM	PART NUMBER	DESCRIPTION	QTY	COMMENTS
1	MT9772 0145 25	MAT		
2	MT9772 0145 25B	BENT ATTACHMENT		
3	MT9772 0145 25M	MOUNT		
4	MT9772 0145 25P	CLAMPING PLATE		
5	MT9772 0145 25S	MAT SPACER		
6	MT9772 0145 25W	WASHER		Includes Screw
7	MT9772 0145 E7A	MAT ATTACHMENT		
8	MT9772 0145 E7R	MAT MOUNT FRAME		
9	MT9772 0145 FK	FITTINGS KIT		
10	MT9772 3060 7CBA	BOTTOM ADAPTOR		
11	MT9772 0130 60	ADAPTOR PLATE		MT adaptor - M/E7C
12	MT9772 0145 254	HOSE GUIDE		
13	MT9772 0145 257	MOUNT		OEM only
14	MT3103 0112 10	STRAP MINI		
15	MT3176 3681 00	STRAP SHORT		
16	MT3115 0212 00	STRAP LONG		



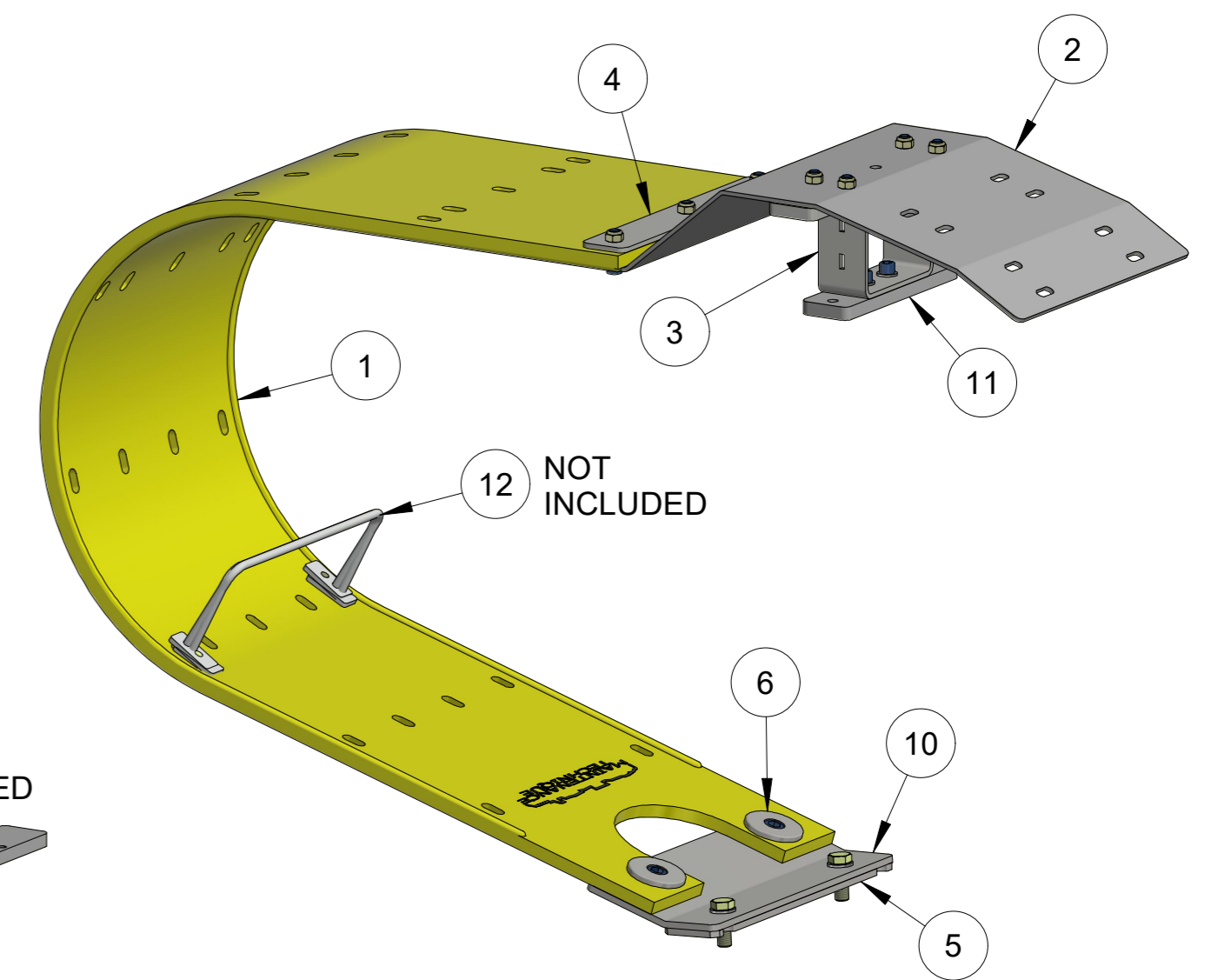
MT9772 0145 E7C  
MAT MOUNT KIT COMPLETE  
4050





MT9772 0145 25C  
HOSE GUIDE COMPLETE  
M7C / 1838  
(with MT FEED BULKHEAD)



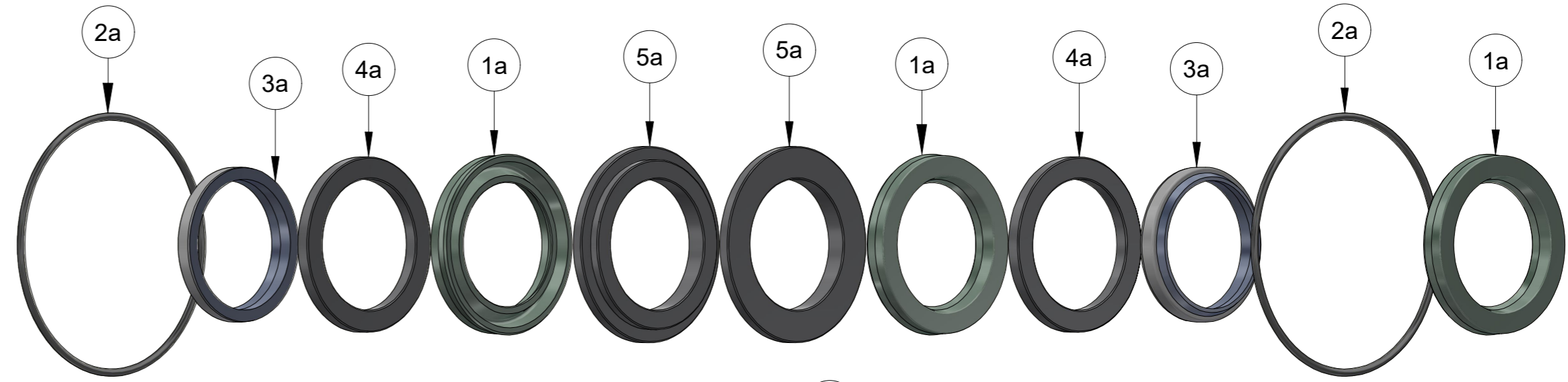
ADAPTOR to suit M/E7C  
(with OEM FEED MANIFOLD)



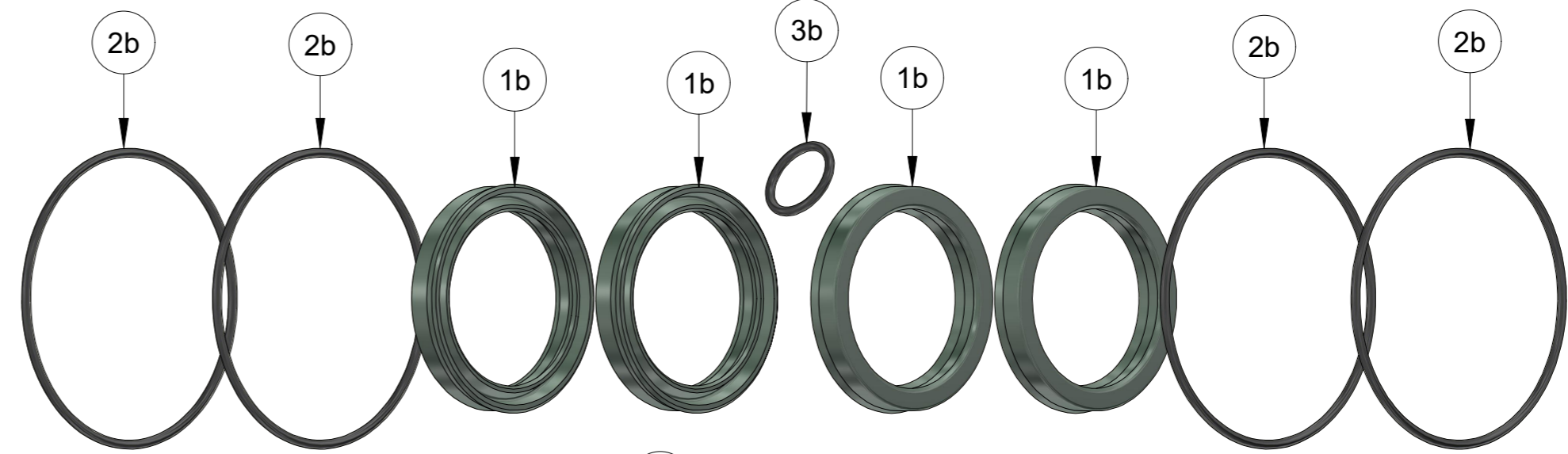
MT9772 3060 7CA  
HOSE GUIDE COMPLETE  
M/E7C / 3060  
(with MT FEED BULKHEAD)

PART NUMBER	DESCRIPTION
	HOSE GUIDES
 	
MT Parts: 0407 059 610 1 Haehy Circuit, Roseworthy S.A. 5371 171 Dugan Street, Kalgoorlie W.A. 6430 <a href="mailto:parts@mtunderground.com">parts@mtunderground.com</a> <a href="http://www.mtunderground.com">www.mtunderground.com</a>	
PAGE	2.9

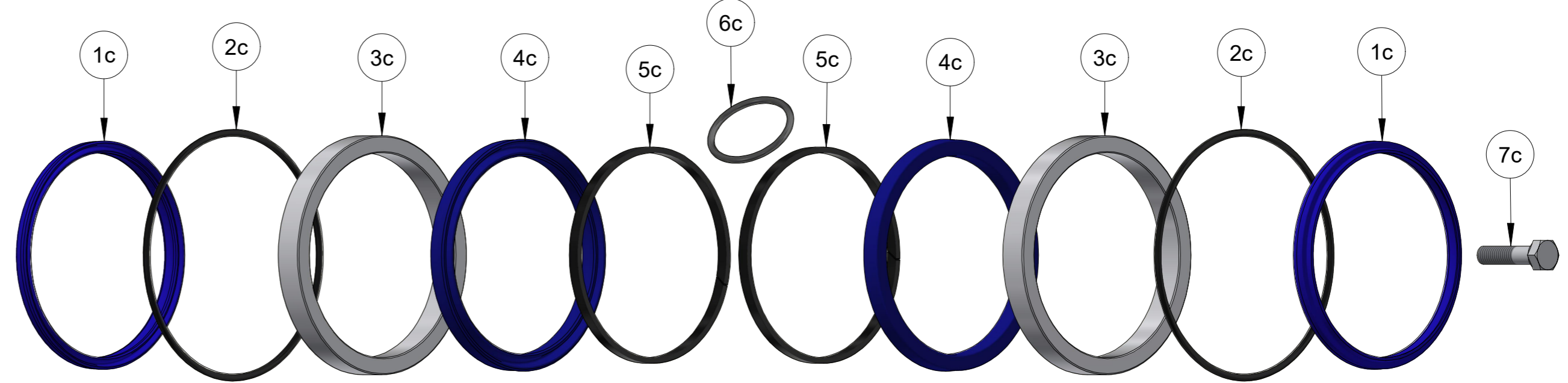
MT9754 0067 80 Flushing Kit 1838 MUX			
ITEM	PART NUMBER	DESCRIPTION	QTY
1a	MT3115 2386 00	CUP SEAL	3
2a	MT0663 2104 94	O-RING	2
3a	MT3115 3236 00	WIPER	2
4a	MT3115 3196 02	GUIDE	2
5a	MT3115 3197 02	GUIDE	2



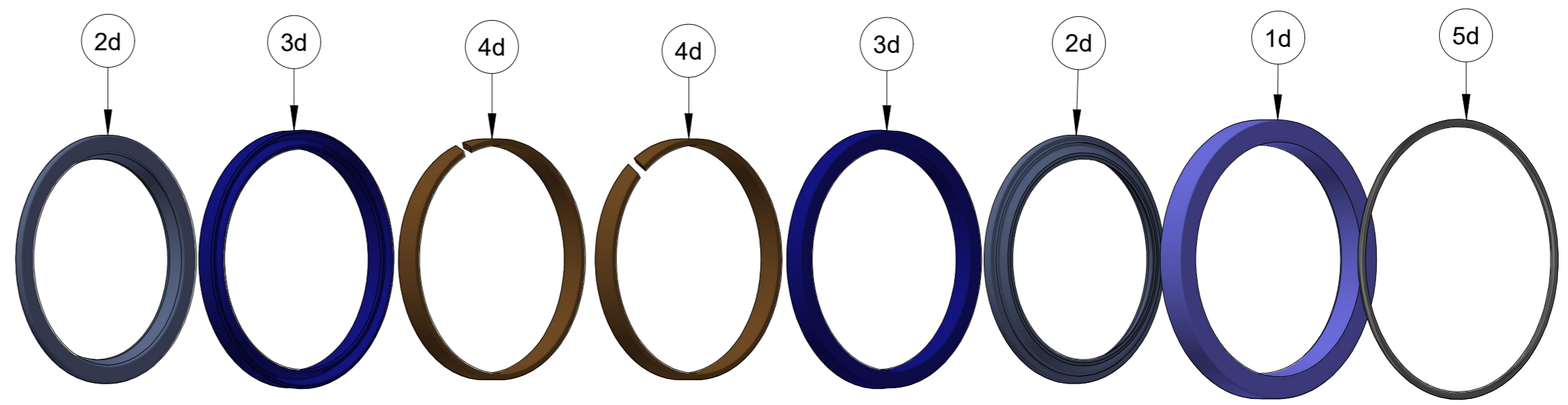
MT3115 2387 SK Flushing Kit 1838 MEX			
ITEM	PART NUMBER	DESCRIPTION	QTY
1b	MT3115 2387 00	CUP SEAL	4
2b	MT0663 6143 01	O-RING	4
3b	MT0663 2126 01	O-RING	1





MT3115 3060 SK Flushing Kit 3060 MUX			
ITEM	PART NUMBER	DESCRIPTION	QTY
1c	MT3115 5756 00	WIPER	2
2c	MT0663 6145 00	O-RING	2
3c	MT3115 5730 00	GUIDE	2
4c	MT3115 3059 00	CUP SEAL	2
5c	MT3115 5731 00	WEAR BAND	2
6c	MT0663 2131 00	O-RING	1
7c	MT0147 1327 03SS	SCREW	12

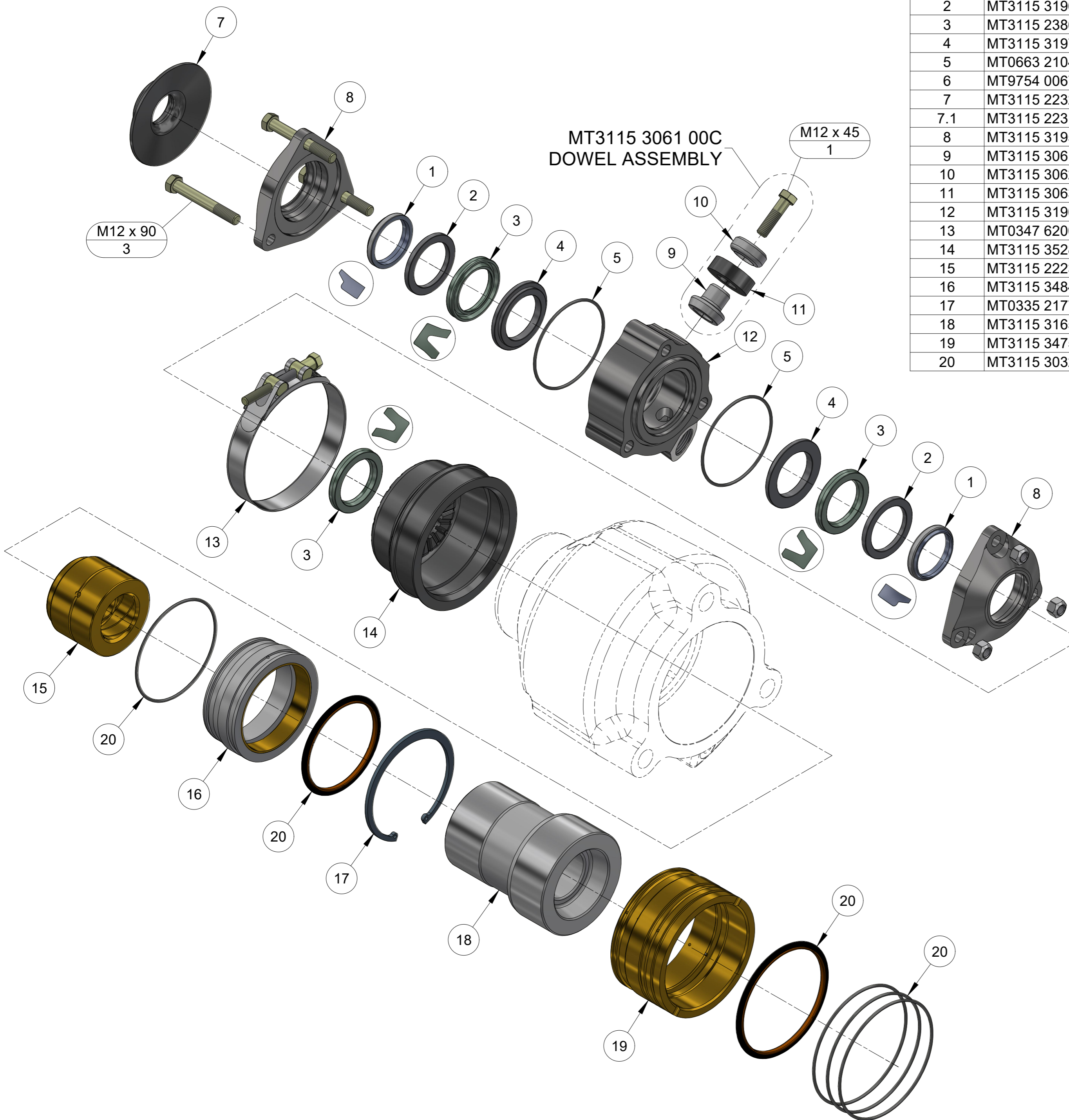


MT3115 3059 SK Flushing Kit 4050 MUX			
ITEM	PART NUMBER	DESCRIPTION	QTY
1d	MT3115 3044 00	CUP SEAL	1
2d	MT3115 3060 00	WIPER	2
3d	MT3115 3059 00	CUP SEAL	2
4d	MT3115 3058 00	GUIDE	2
5d	MT0663 2106 33	O-RING	1



PART NUMBER MT3115 2387 SK	DESCRIPTION FLUSHING KIT 1838 MEX
PART NUMBER MT3115 3060 SK	DESCRIPTION FLUSHING KIT 3060 MUX
PART NUMBER MT3115 3059 SK	DESCRIPTION FLUSHING KIT 4050 MUX

PART NUMBER MT9754 0067 80	DESCRIPTION FLUSHING KIT 1838 MUX
 	MT Parts: 0407 059 610 1 Haehy Circuit, Roseworthy S.A. 5371 171 Dugan Street, Kalgoorlie W.A. 6430 <a href="mailto:parts@mtunderground.com">parts@mtunderground.com</a> <a href="http://www.mtunderground.com">www.mtunderground.com</a>



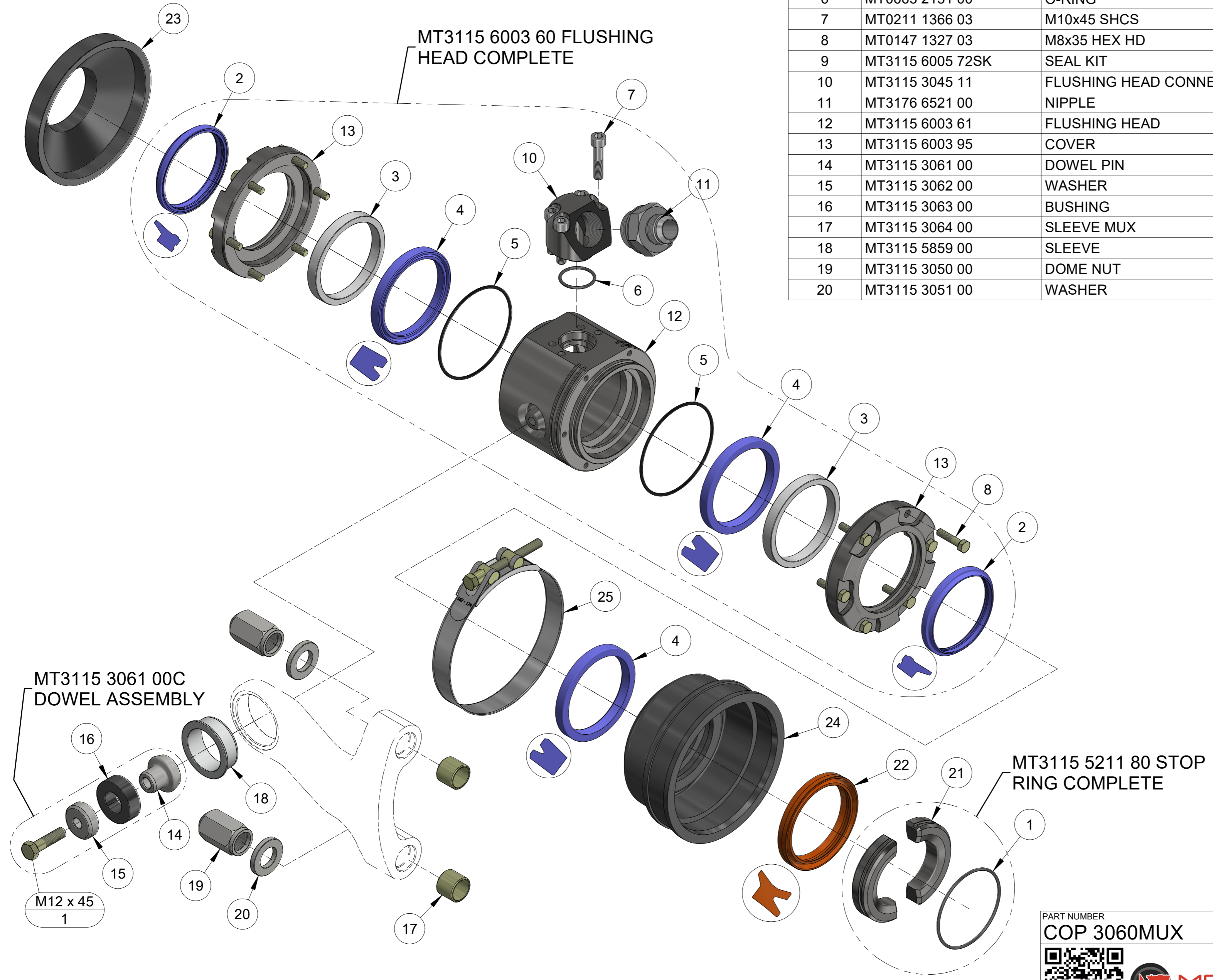
MT3115 3061 00C  
DOWEL ASSEMBLY

ITEM	PART NUMBER	DESCRIPTION	QTY	COMMENTS
1	MT3115 3236 00	WIPER	2	
2	MT3115 3196 02	GUIDE	2	
3	MT3115 2386 00	CUP SEAL	3	
4	MT3115 3197 02	GUIDE	2	
5	MT0663 2104 94	O-RING	2	
6	MT9754 0067 80	FLUSHING KIT		Includes items 1 - 5
7	MT3115 2232 00	DRILL COLLAR ST45	1	
7.1	MT3115 2231 00	DRILL COLLAR ST38	1	
8	MT3115 3195 01	COVER	2	
9	MT3115 3061 00	DOWEL PIN	1	
10	MT3115 3062 00	WASHER	1	
11	MT3115 3063 00	BUSHING	1	
12	MT3115 3190 00	FLUSHING HEAD	1	
13	MT0347 6200 21	HOSE CLAMP	1	
14	MT3115 3528 00	SEAL RETAINER	1	
15	MT3115 2223 02	GUIDE	1	
16	MT3115 3484 00	FRONT BUSH	1	
17	MT0335 2177 00	CIRCLIP	1	
18	MT3115 3165 00	PISTON	1	
19	MT3115 3475 00	REAR BUSH	1	
20	MT3115 3032 00SK	EXTRACTOR SEAL KIT	1	

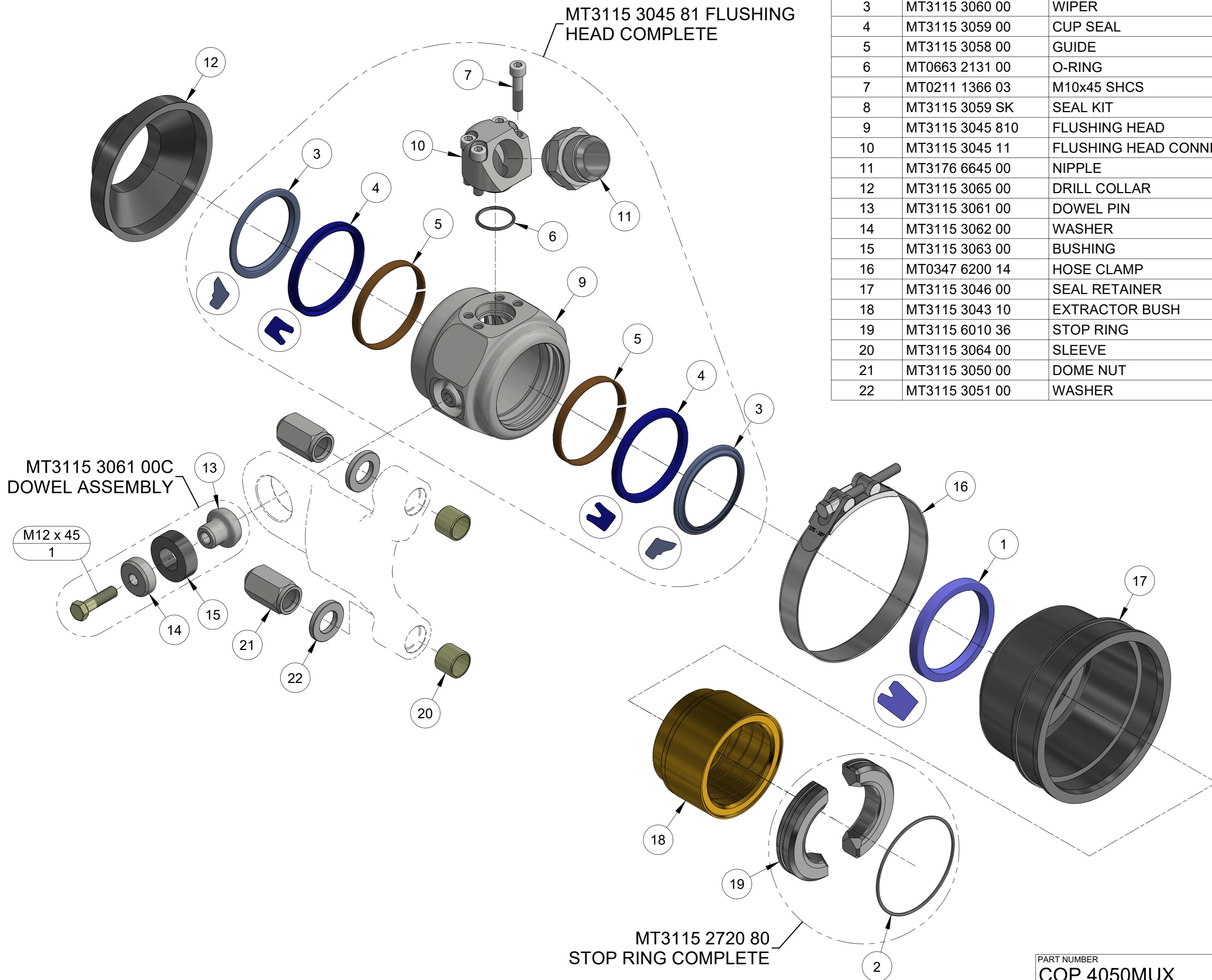
PART NUMBER <b>COP 1838MUX</b>	DESCRIPTION <b>FRONT HEAD PARTS</b>
	
MT Parts: 0407 059 610 1 Haesy Circuit, Roseworthy S.A. 5371 171 Dugan Street, Kalgoorlie W.A. 6430 <a href="mailto:parts@mtunderground.com">parts@mtunderground.com</a> <a href="http://www.mtunderground.com">www.mtunderground.com</a>	

ITEM	PART NUMBER	DESCRIPTION	QTY	COMMENTS
21	MT3115 5211 00	STOP RING	1	
22	MT3115 5754 02	WIPER	1	
23	MT3115 3065 10	DRILL COLLAR	1	
24	MT3115 3046 02	SEAL RETAINER	1	
25	MT0347 6200 25	HOSE CLAMP	1	

ITEM	PART NUMBER	DESCRIPTION	QTY	COMMENTS
1	MT0663 6142 00	O-RING	1	
2	MT3115 6005 27	WIPER	2	
3	MT3115 5730 00	GUIDE	2	
4	MT3115 3044 00	CUP SEAL	3	2 for flushing head
5	MT0663 6145 00	O-RING	2	
6	MT0663 2131 00	O-RING	1	
7	MT0211 1366 03	M10x45 SHCS	4	
8	MT0147 1327 03	M8x35 HEX HD	12	
9	MT3115 6005 72SK	SEAL KIT		Includes items 1 - 8
10	MT3115 3045 11	FLUSHING HEAD CONNECTION	1	
11	MT3176 6521 00	NIPPLE	1	
12	MT3115 6003 61	FLUSHING HEAD	1	
13	MT3115 6003 95	COVER	2	
14	MT3115 3061 00	DOWEL PIN	1	
15	MT3115 3062 00	WASHER	1	
16	MT3115 3063 00	BUSHING	1	
17	MT3115 3064 00	SLEEVE MUX	2	
18	MT3115 5859 00	SLEEVE	1	
19	MT3115 3050 00	DOME NUT	2	
20	MT3115 3051 00	WASHER	2	



PART NUMBER	DESCRIPTION
COP 3060MUX	FRONT HEAD PARTS
	
	
MT Parts: 0407 059 610 1 Haesy Circuit, Roseworthy S.A. 5371 171 Dugan Street, Kalgoorlie W.A. 6430 <a href="mailto:parts@mtunderground.com">parts@mtunderground.com</a> <a href="http://www.mtunderground.com">www.mtunderground.com</a>	

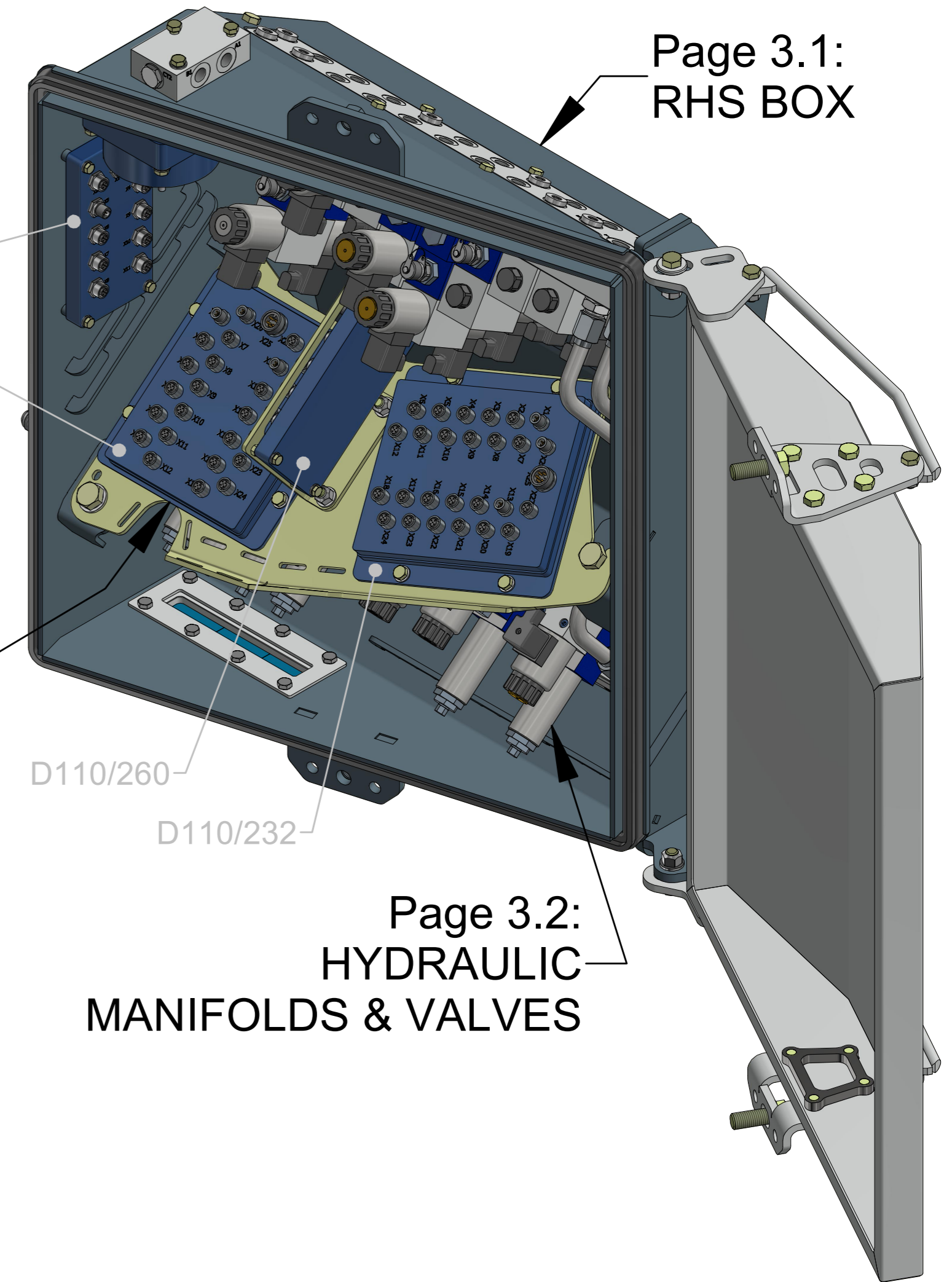
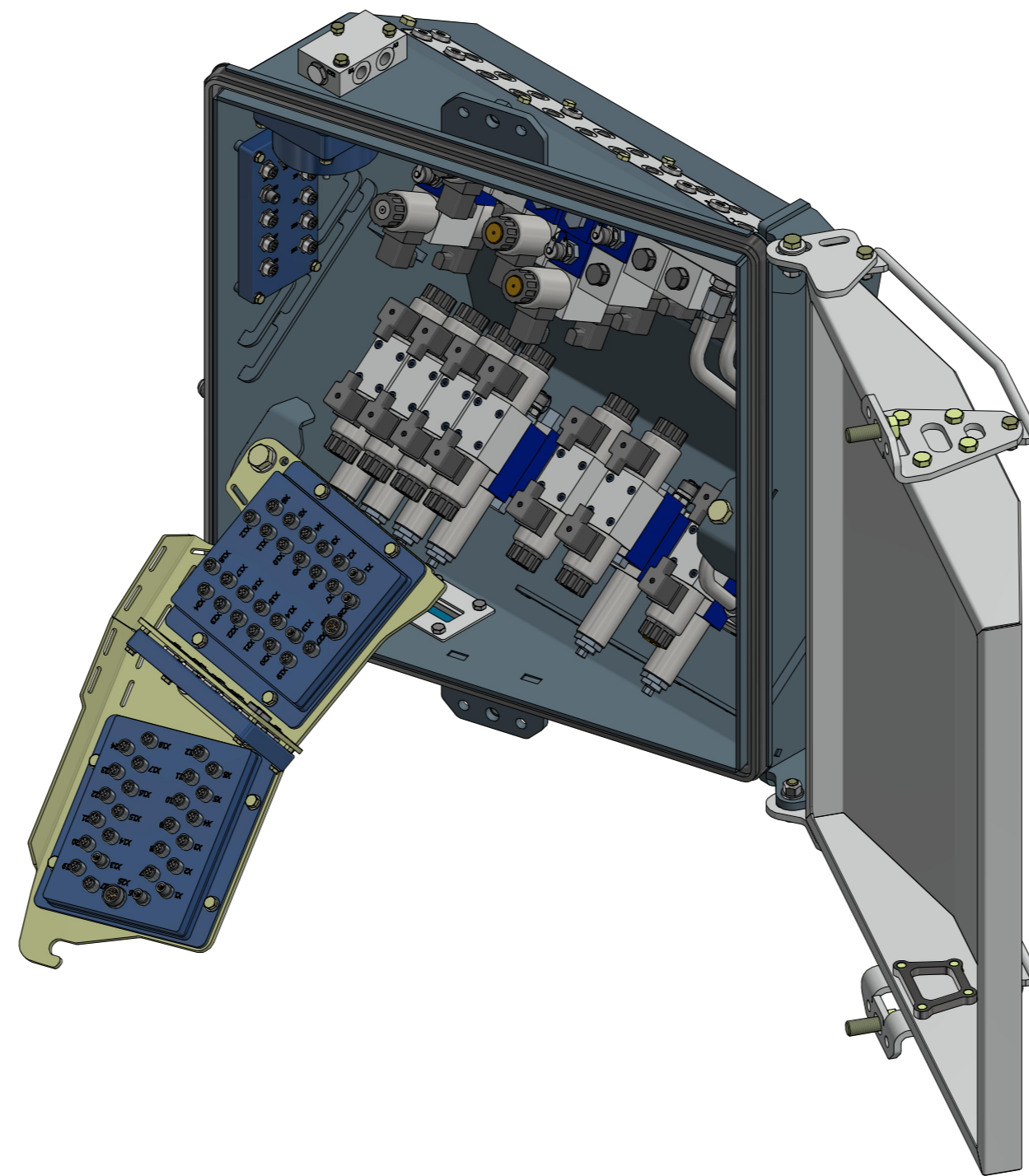
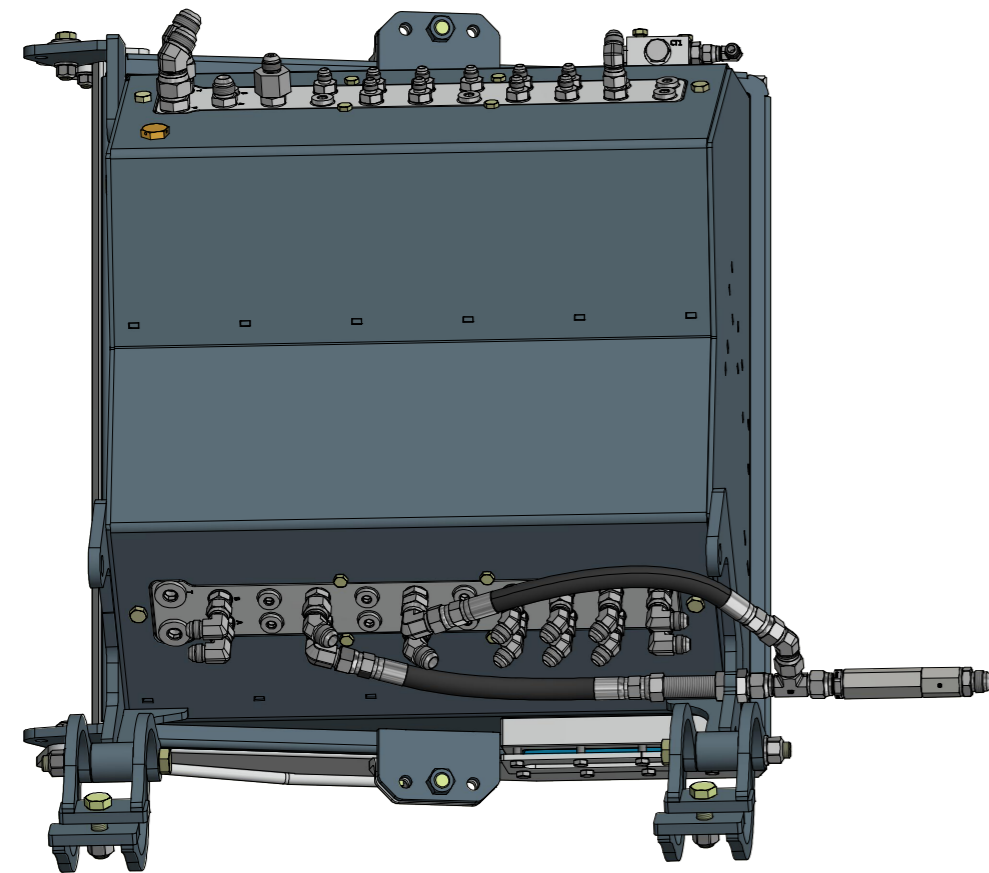
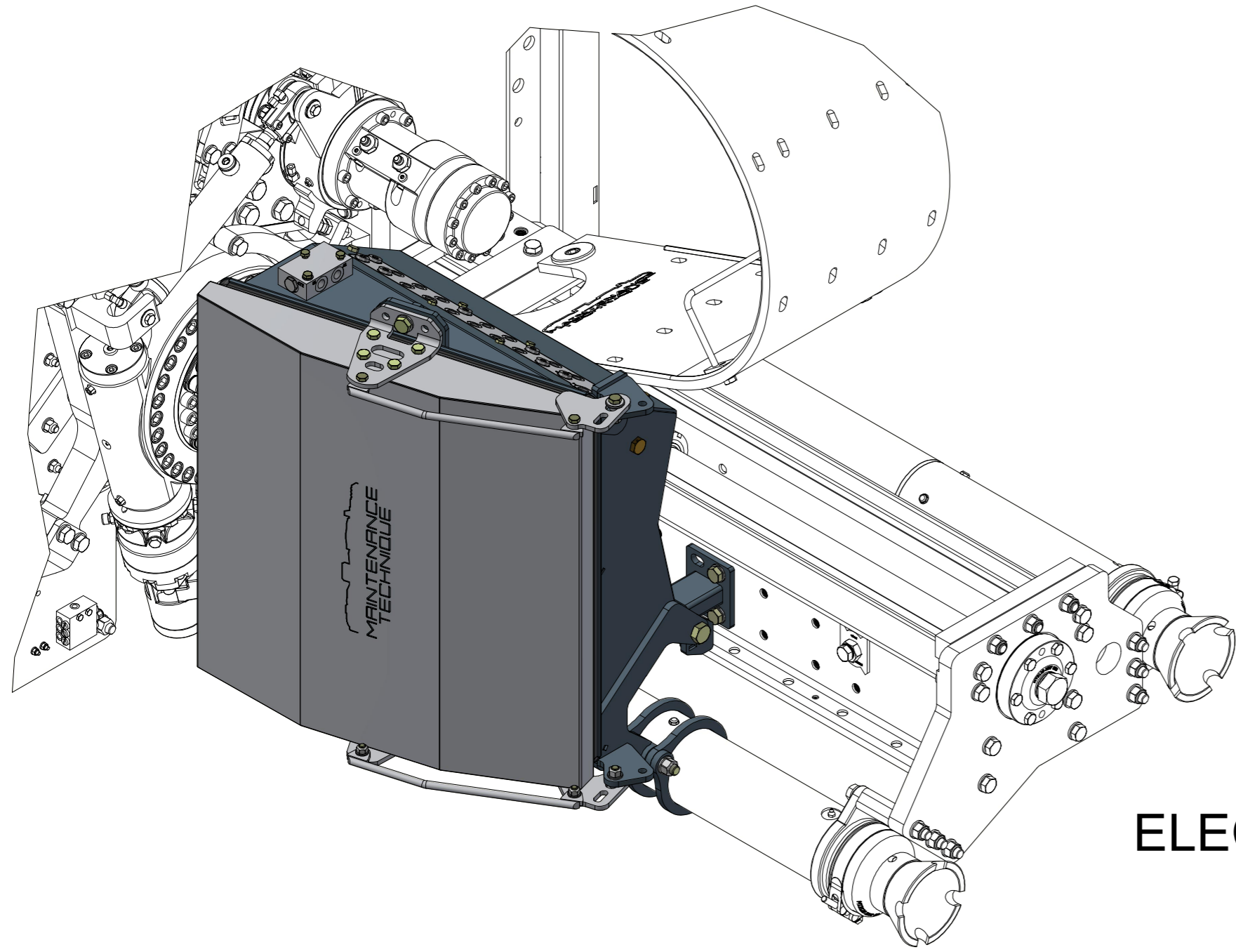


ITEM	PART NUMBER	DESCRIPTION	QTY	COMMENTS
1	MT3115 3044 00	CUP SEAL	1	
2	MT0663 2106 33	O-RING	1	
3	MT3115 3060 00	WIPER	2	
4	MT3115 3059 00	CUP SEAL	2	
5	MT3115 3058 00	GUIDE	2	
6	MT0663 2131 00	O-RING	1	
7	MT0211 1366 03	M10x45 SHCS	4	
8	MT3115 3059 SK	SEAL KIT		Includes items 1 - 7
9	MT3115 3045 810	FLUSHING HEAD	1	
10	MT3115 3045 11	FLUSHING HEAD CONNECTION	1	
11	MT3176 6645 00	NIPPLE	1	
12	MT3115 3065 00	DRILL COLLAR	1	
13	MT3115 3061 00	DOWEL PIN	1	
14	MT3115 3062 00	WASHER	1	
15	MT3115 3063 00	BUSHING	1	
16	MT0347 6200 14	HOSE CLAMP	1	
17	MT3115 3046 00	SEAL RETAINER	1	
18	MT3115 3043 10	EXTRACTOR BUSH	1	
19	MT3115 6010 36	STOP RING	1	
20	MT3115 3064 00	SLEEVE	2	
21	MT3115 3050 00	DOME NUT	2	
22	MT3115 3051 00	WASHER	2	

MT3115 2720 80  
STOP RING COMPLETE

PART NUMBER <b>COP 4050MUX</b>	DESCRIPTION <b>FRONT HEAD PARTS</b>
 	
MT Parts: 0407 059 610 1 Haesy Circuit, Roseworthy S.A. 5371 171 Dugan Street, Kalgoorlie W.A. 6430 <a href="mailto:parts@mtunderground.com">parts@mtunderground.com</a> <a href="http://www.mtunderground.com">www.mtunderground.com</a>	

# SECTION 3: ROD HANDLER SYSTEM



Page 3.1:  
RHS BOX

D110/261

D110/233

Page 3.3:  
ELECTRICAL COMPONENTS  
& CABLES

D110/260

D110/232

Page 3.2:  
HYDRAULIC  
MANIFOLDS & VALVES

PART NUMBER

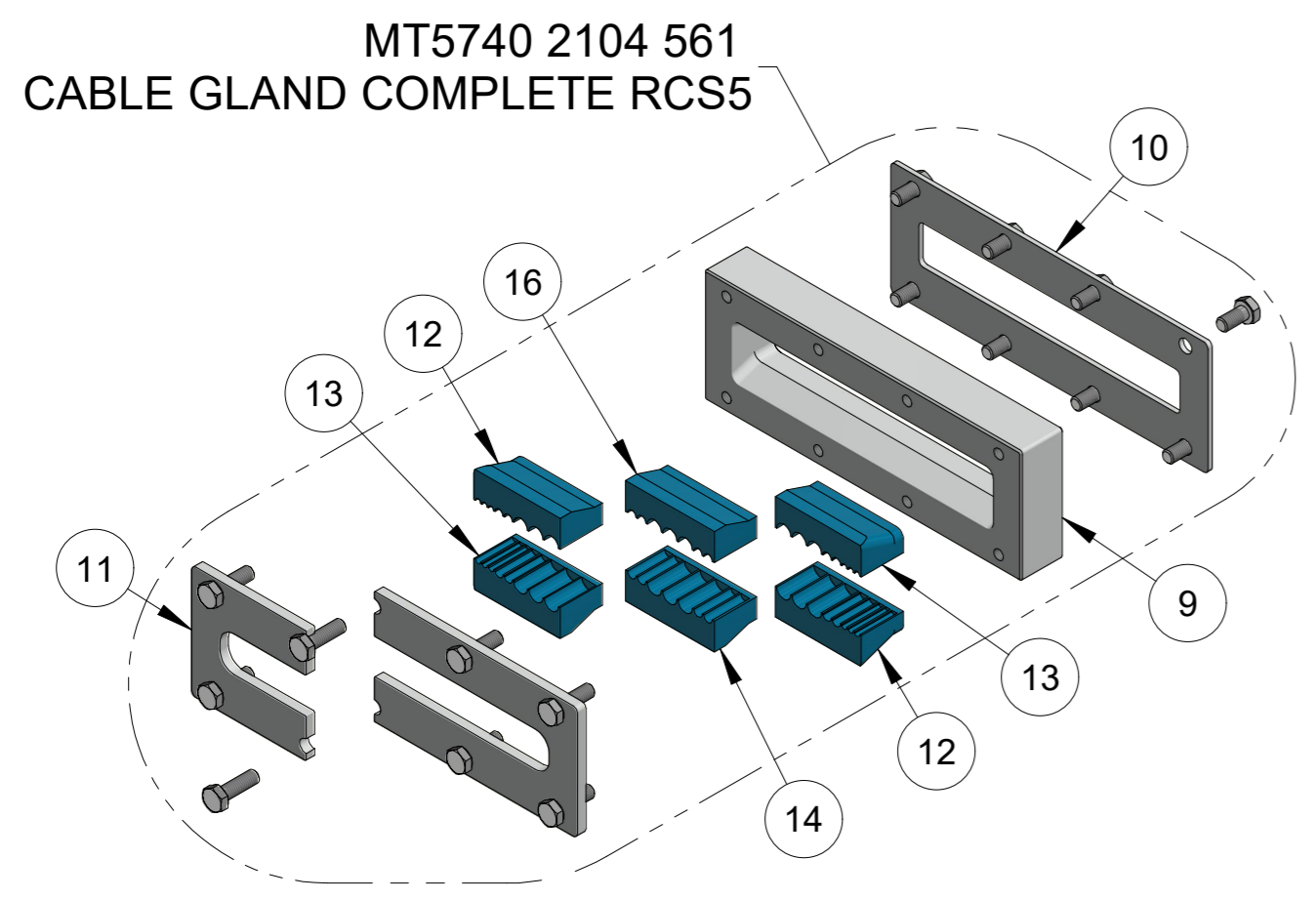
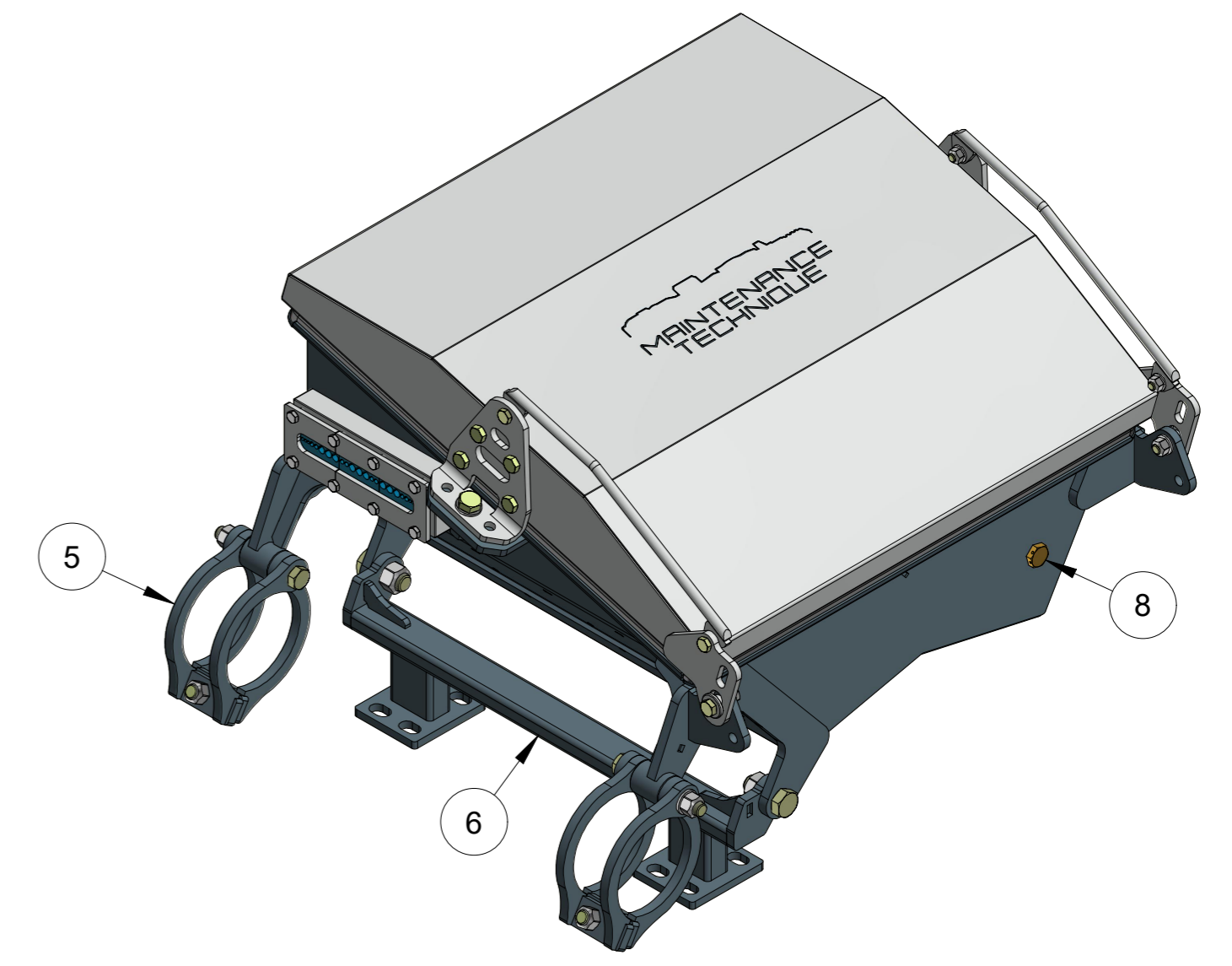
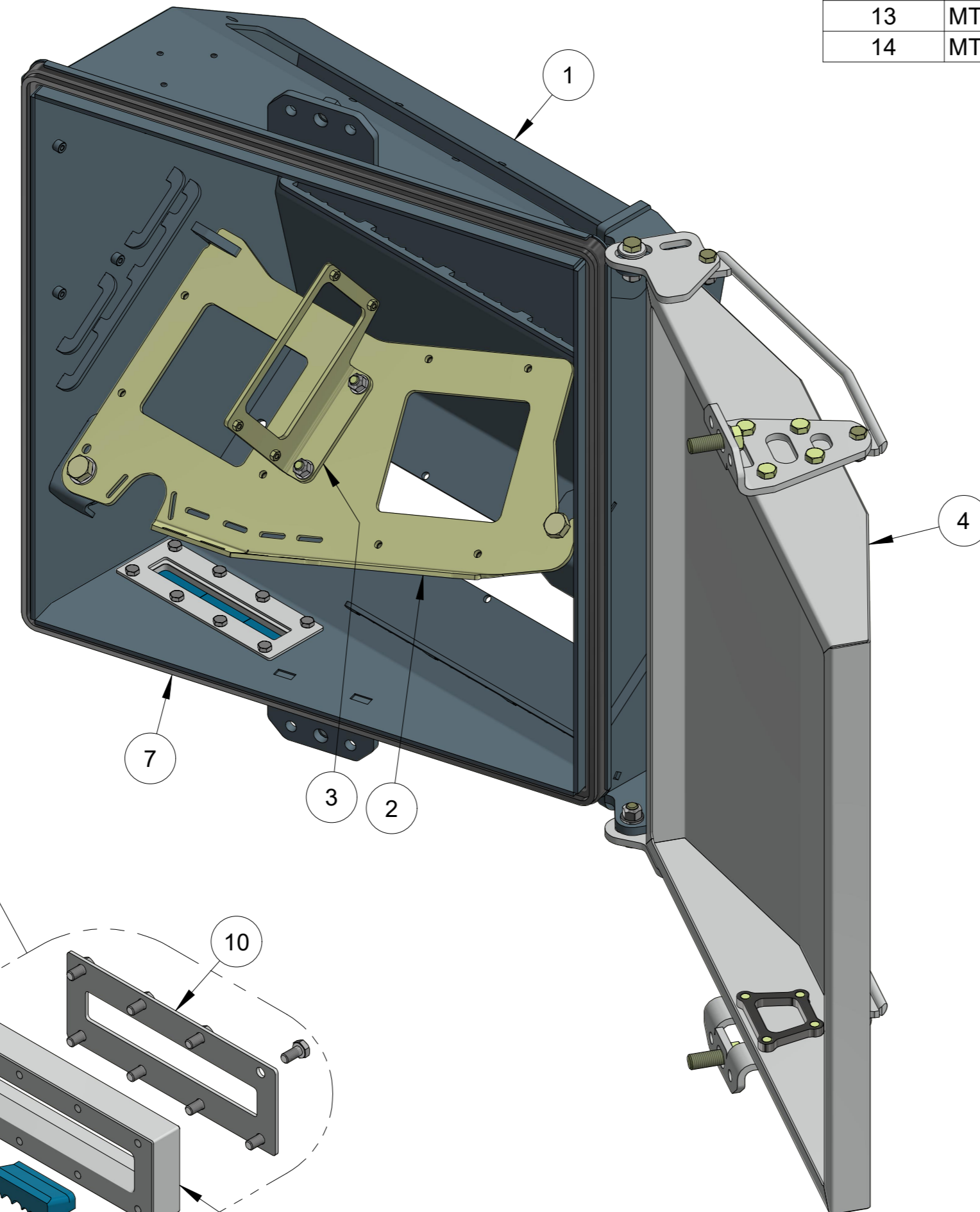
DESCRIPTION

ROD HANDLER SYSTEM RCS5

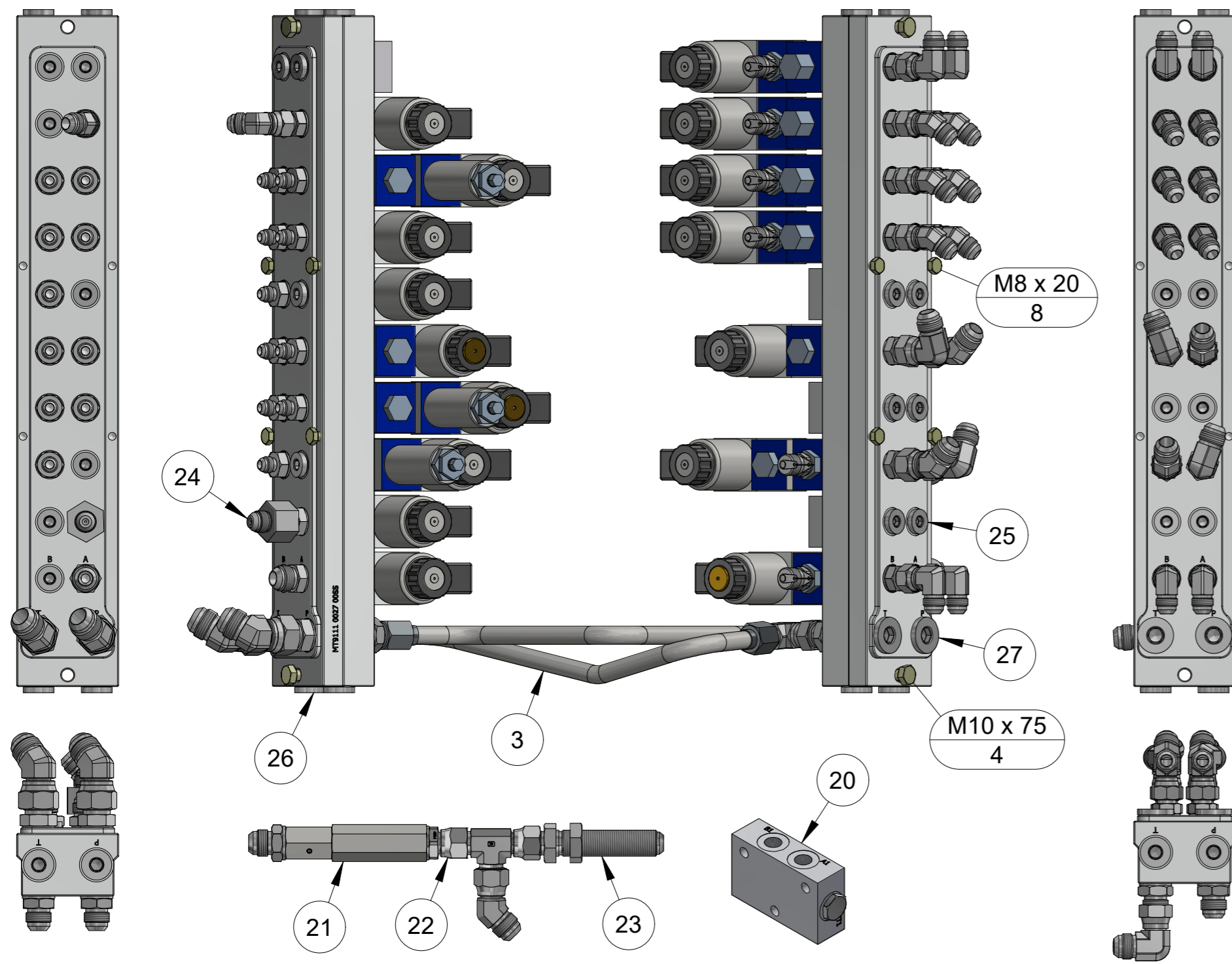


MT Parts: 0407 059 610  
1 Haesy Circuit, Roseworthy S.A. 5371  
171 Dugan Street, Kalgoorlie W.A. 6430  
[parts@mtunderground.com](mailto:parts@mtunderground.com)  
[www.mtunderground.com](http://www.mtunderground.com)

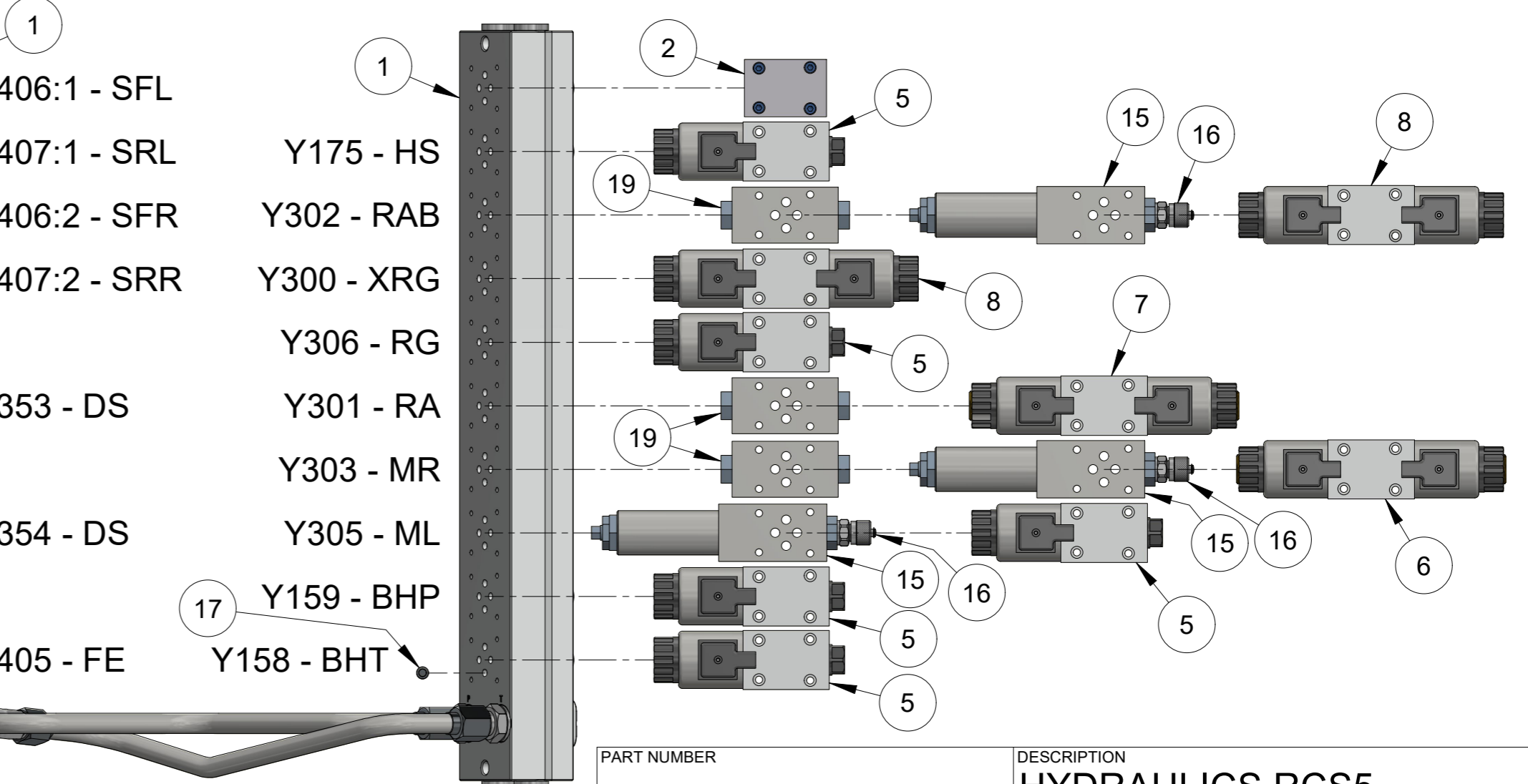
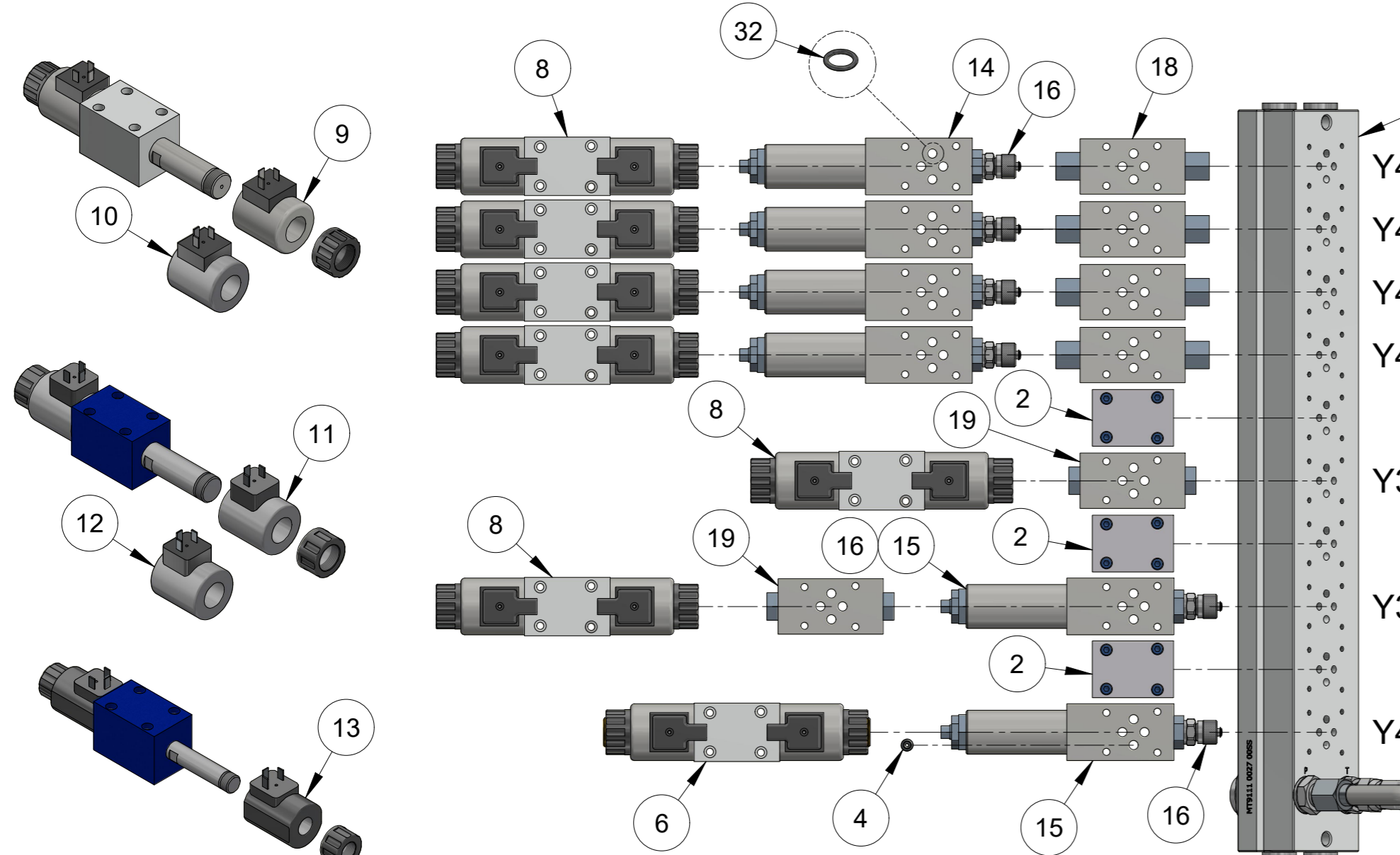
ITEM	PART NUMBER	DESCRIPTION	QTY	COMMENTS
1	MT9111 0010 071	BASE	1	
2	MT9111 0010 072	MODULE FRAME	1	
3	MT9111 0010 073	RESOLVER MODULE MOUNT RCS5	1	
4	MT9111 0010 101	HOOD	1	
5	MT9111 0009 291	FRONT MOUNT BRACKET	4	
6	MT9111 0009 321	REAR MOUNT BRACKET	1	
7	MT5112 0080 341	SEALING RUBBER	1	
8	MT9106 1856 01P	BREATHER PLUG	2	
9	MT5740 2104 562	CABLE GLAND BASE RCS5	1	
10	MT5740 2104 563	CABLE GLAND REAR PLATE	1	
11	MT5740 2104 564	CABLE GLAND CLAMP PLATE SET	1	
12	MT5112 3078 RB1	CABLE GLAND RUBBER BLOCK	2	
13	MT5112 3078 RB2	CABLE GLAND RUBBER BLOCK - OH	2	
14	MT5112 3078 RB5	CABLE GLAND RUBBER BLOCK	2	



PART NUMBER	DESCRIPTION
MT9111 0009 941	ROD HANDLER SYSTEM BOX RCS5
	<p>MT Parts: 0407 059 610 1 Haesy Circuit, Roseworthy S.A. 5371 171 Dugan Street, Kalgoorlie W.A. 6430</p> <p><a href="mailto:parts@mtunderground.com">parts@mtunderground.com</a> <a href="http://www.mtunderground.com">www.mtunderground.com</a></p>
	PAGE
	3.1



ITEM	PART NUMBER	DESCRIPTION	QTY	COMMENTS
1	MT9111 0027 00SS	VALVE BLOCK	2	Stainless Steel
2	MT3177 3092 BP	BLANKING PLATE	4	Includes o-rings & M5x20 SHCS
3	MT0574 2253 110	RHS BOX PIPE SET RCS5	1	
4	MT3125 5350 00	RESTRICTOR (2.4MM)	1	P-port
5	MT3177 3092 88	VALVE - 2 POSITION	5	Rod handler 18Ω coil
6	MT3177 3092 60	VALVE - 3 POSITION	2	Proportional 3 pos DCV 5Ω coil
7	MT3177 3092 71	VALVE - 3 POSITION	1	Proportional low flow 3 pos DCV 5Ω coil
8	MT3177 3092 83	VALVE - 3 POSITION	8	Non proportional movements 18Ω
9	MT3177 3092 12WF	PROPORTIONAL COIL 5Ω	0	23mm shaft Wandfluh DCV only
10	MT3177 3092 24WF	DIRECT COIL 18Ω	0	23mm shaft Wandfluh or Rexroth DCV
11	MT3177 3092 52	DIRECT COIL 18Ω	0	23mm shaft Rexroth DCV only
12	MT3177 3092 64	PROPORTIONAL COIL 5Ω	0	23mm shaft Rexroth DCV only
13	MT3177 3092 55	DIRECT COIL 18Ω	0	16mm shaft Rexroth DCV only
14	MT3217 9341 60	REDUCER VALVE	4	A-port
15	MT3214 8712 80	REDUCER VALVE	5	P-port
16	MT3177 3016 00	COUPLING	9	Stauff test point, test 12 to 1/4BSPP
17	MT3217 2682 00	PLUG	1	P-port
18	MT3217 9075 00	CHECK VALVE	4	Stinger
19	MT3222 3268 96	CHECK VALVE	5	
20	MT9106 0630 10	DOUBLE CHECK VALVE	1	
21	MT3125 2794 03	PRESSURE RELIEF VALVE	1	BSH guide check/relief
22	MTAABP-08-14	ADAPTOR SWIVEL	1	1/2" BSPP M x 7/8" JIC F
23	MT3128 0120 78	EXTENDED BULKHEAD	1	7/8" JIC x 120mm
24	MT3214 7494 03	REDUCTION NIPPLE	1	Extractor restrictor A-port
25	MT3117 38BS PP	3/8" BSPP ALLEN PLUG	13	
26	MT3117 12BS PP	1/2" BSPP ALLEN PLUG	8	
27	MT3117 34BS PP	3/4" BSPP ALLEN PLUG	2	
28	MT0211 1219 87	M5x20 SHCS	16	Blanking Plate
29	MT0211 1215 03	M5x50 SHCS	20	Single stack
30	MT4090 0630 00	M5x90 SHCS	16	Twin stack
31	MT0211 1965 58	M5x130 SHCS	28	Triple stack
32	MT5507 8719 00	O-RING	152	DCV o-ring
33	MT9111 0027 FK	FITTINGS KIT	1	Includes BSP plugs & JIC adaptors



- Y406:1 - SFL
- Y407:1 - SRL
- Y406:2 - SFR
- Y407:2 - SRR
- Y353 - DS
- Y354 - DS
- Y405 - FE

- Y175 - HS
- Y302 - RAB
- Y300 - XRG
- Y306 - RG
- Y301 - RA
- Y303 - MR
- Y305 - ML
- Y159 - BHP
- Y158 - BHT

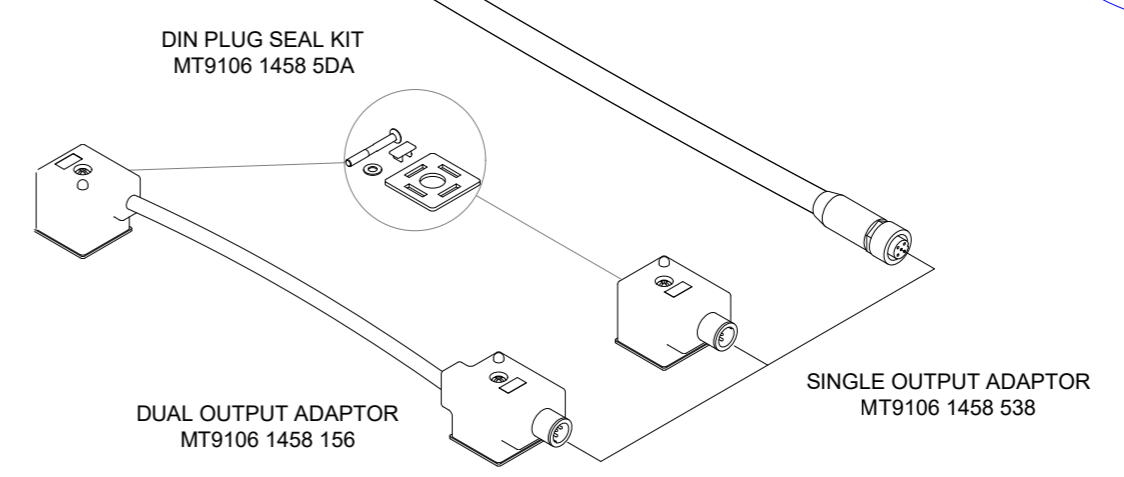
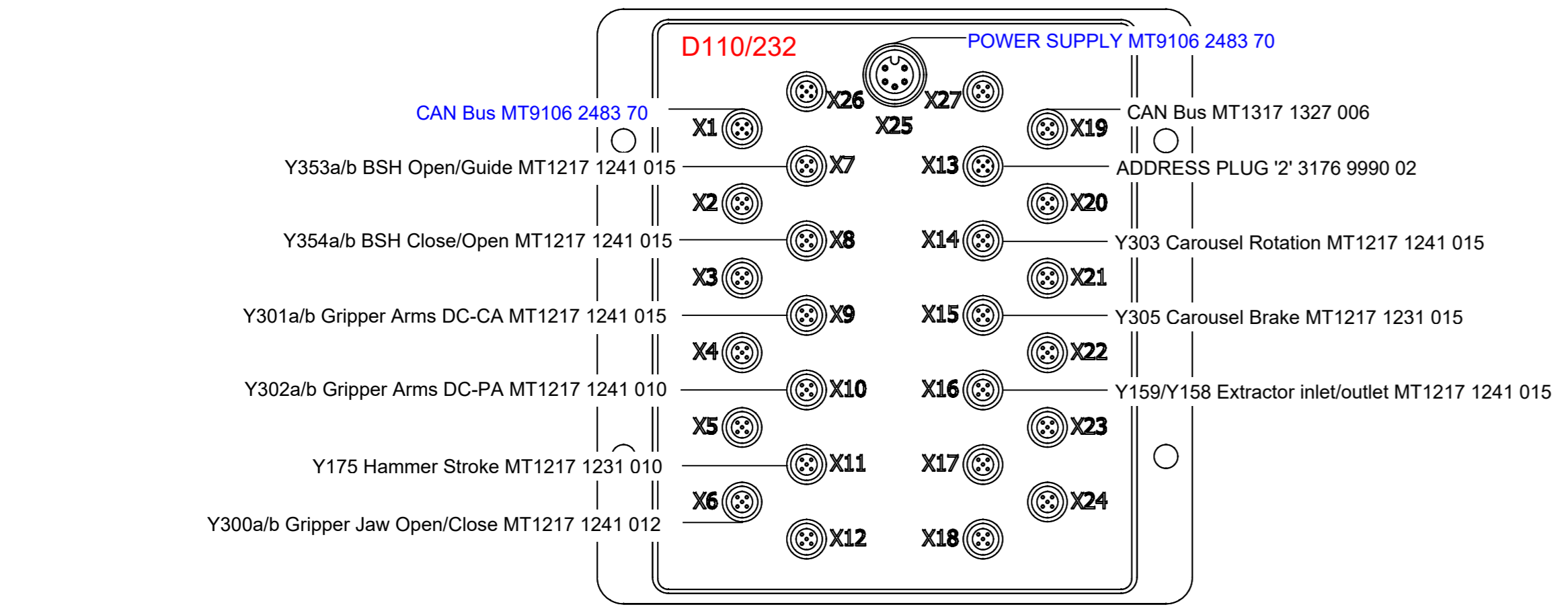
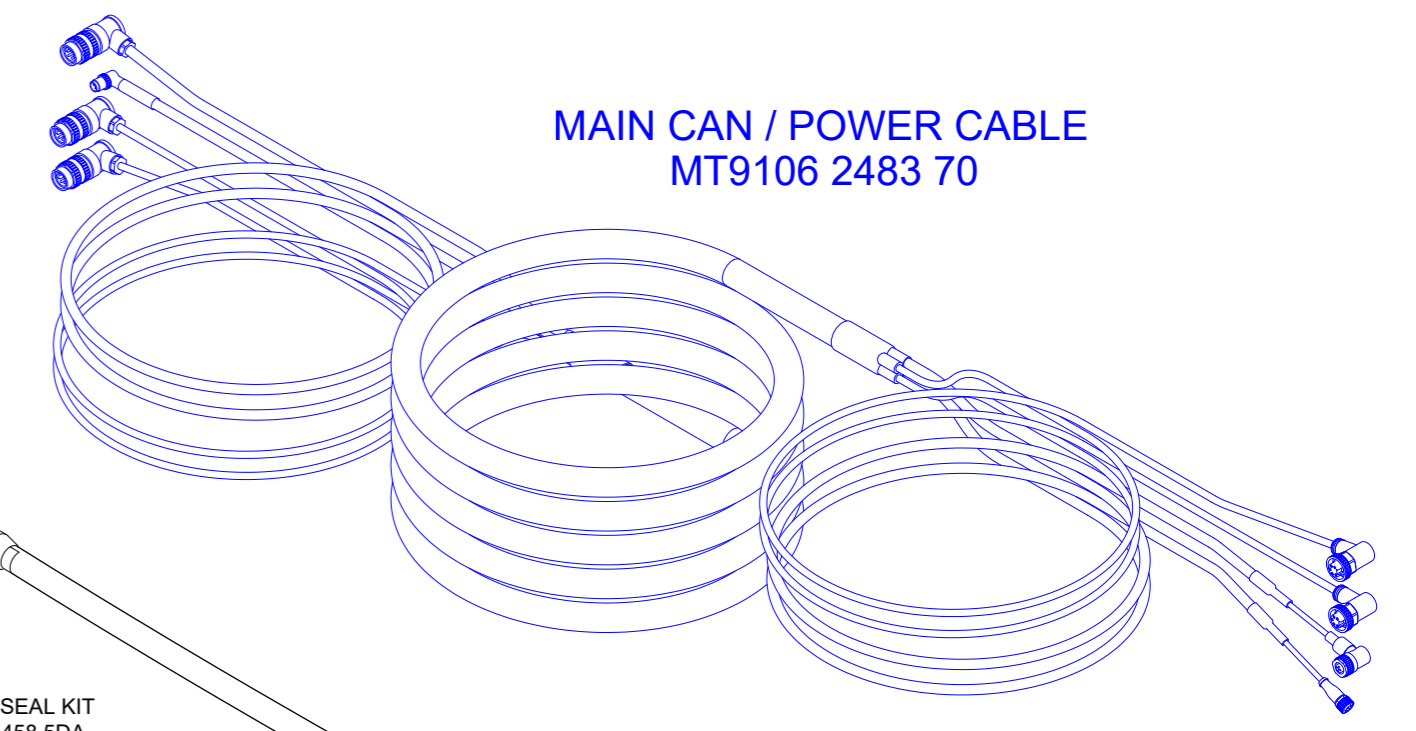
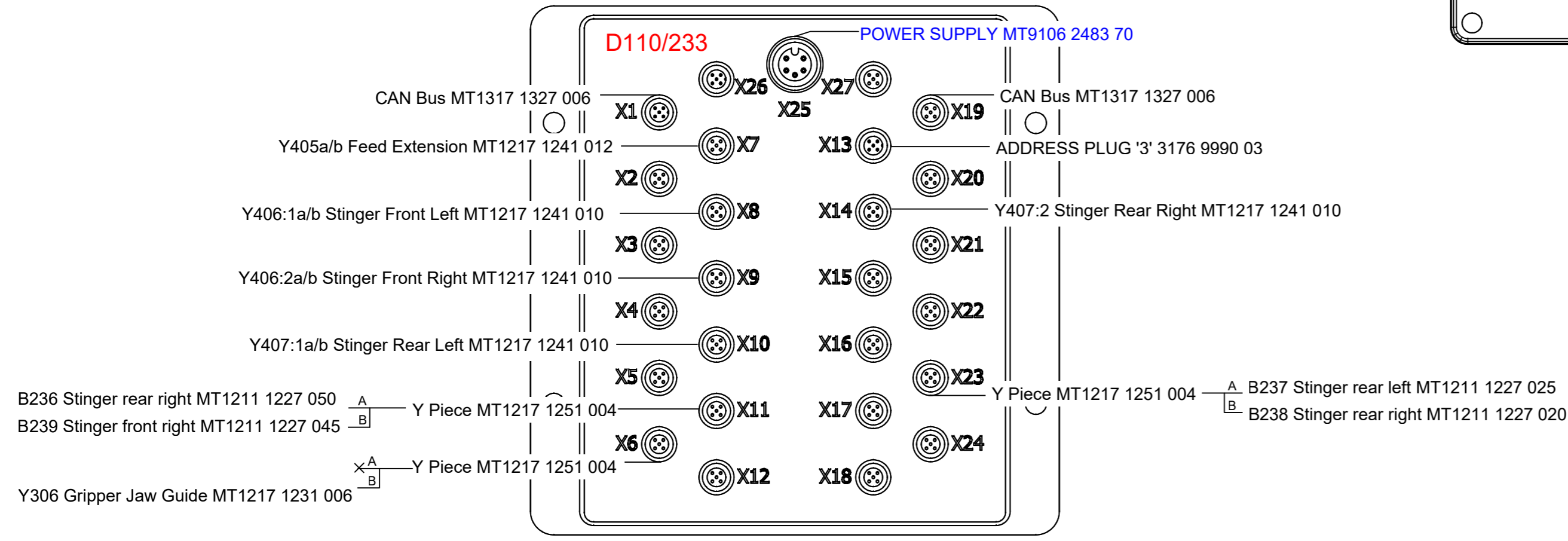
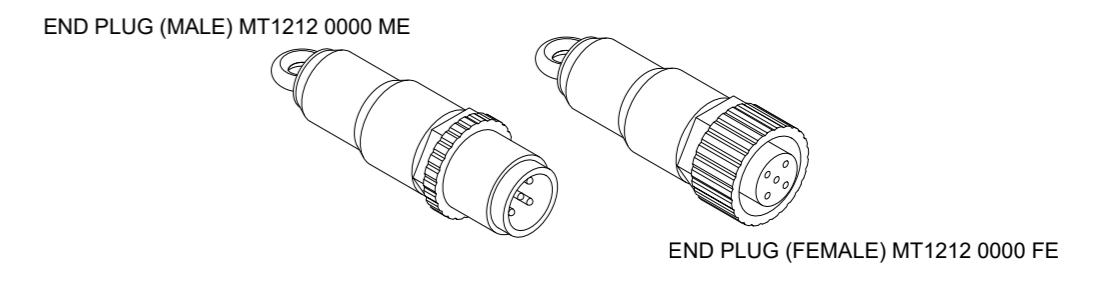
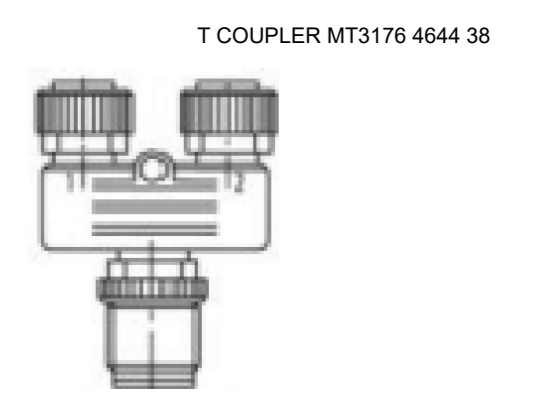
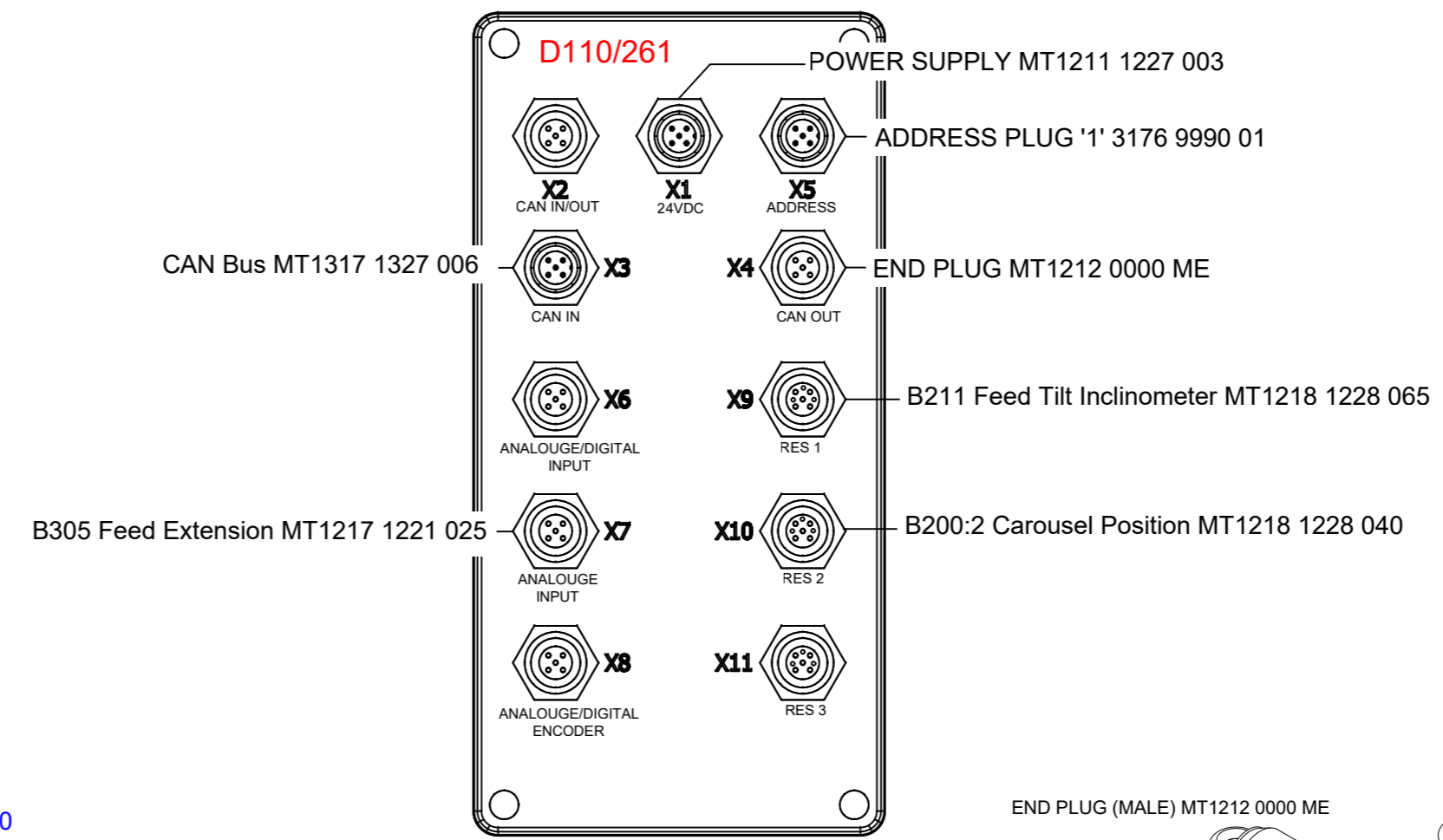
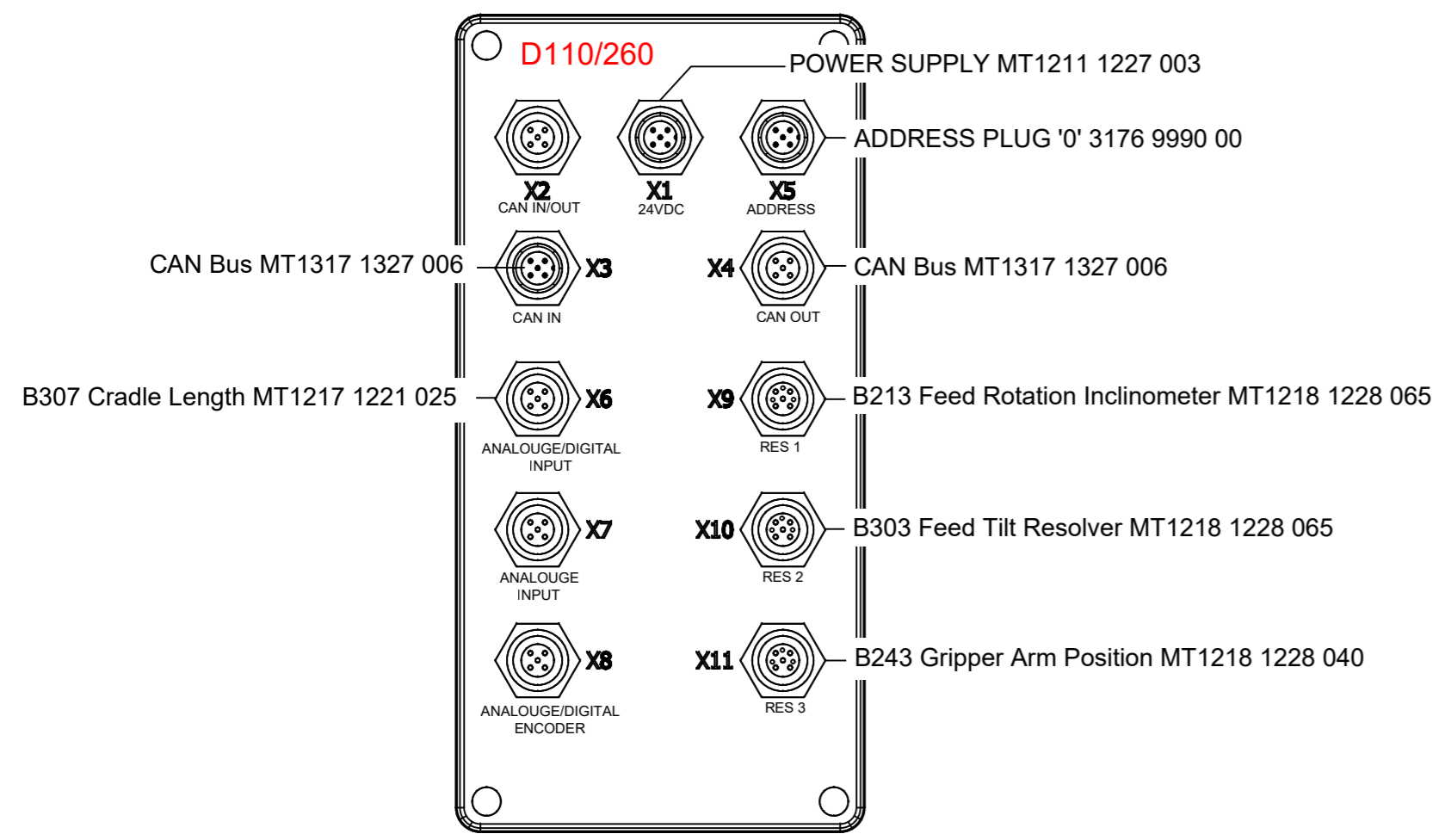
PART NUMBER: HYDRAULICS RCS5



DESCRIPTION: HYDRAULICS RCS5

MT Parts: 0407 059 610  
 1 Haehy Circuit, Roseworthy S.A. 5371  
 171 Dugan Street, Kalgoorlie W.A. 6430  
[parts@mtunderground.com](mailto:parts@mtunderground.com)  
[www.mtunderground.com](http://www.mtunderground.com)

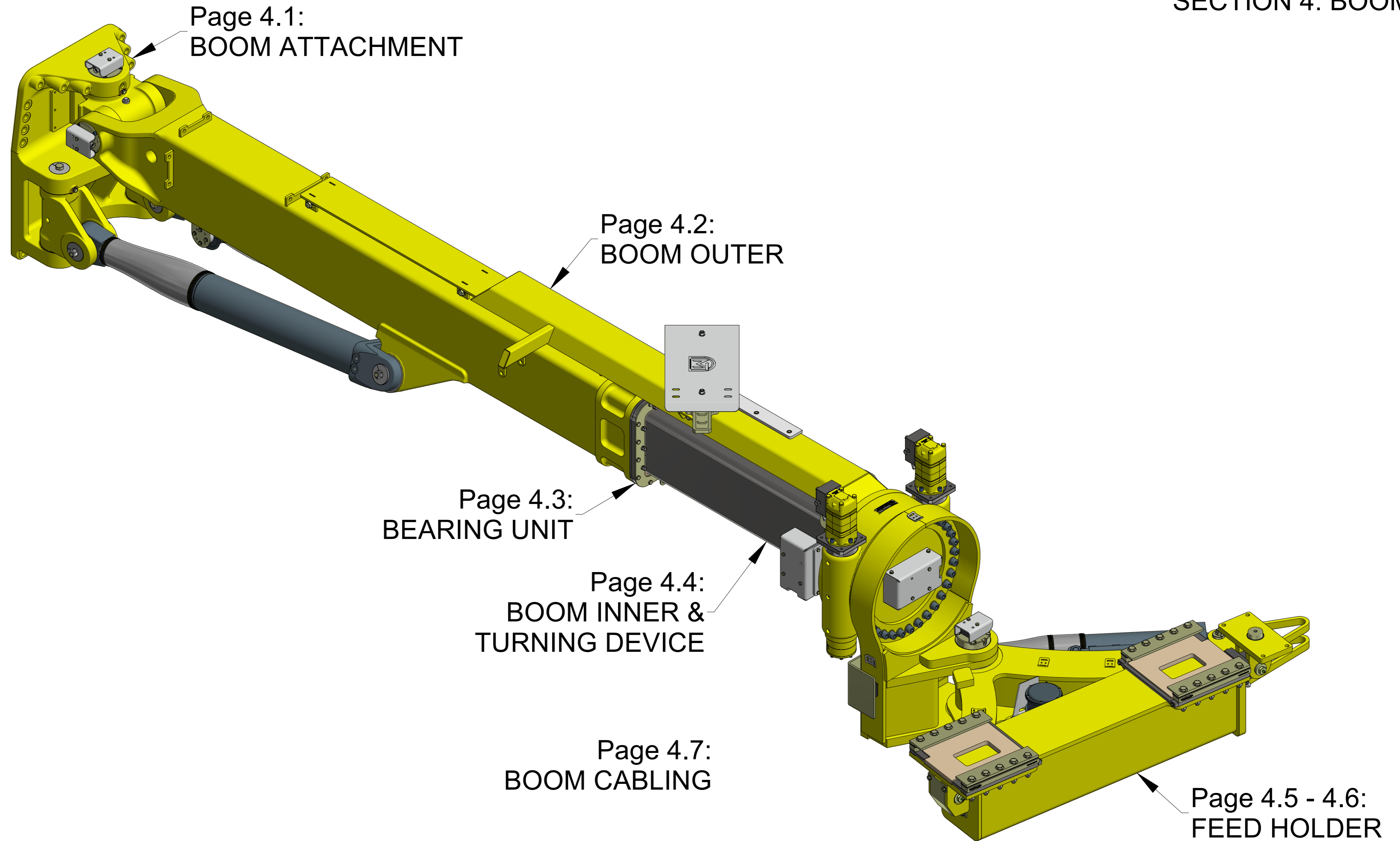
**MAINTENANCE TECHNIQUE**



PAGE 3.2

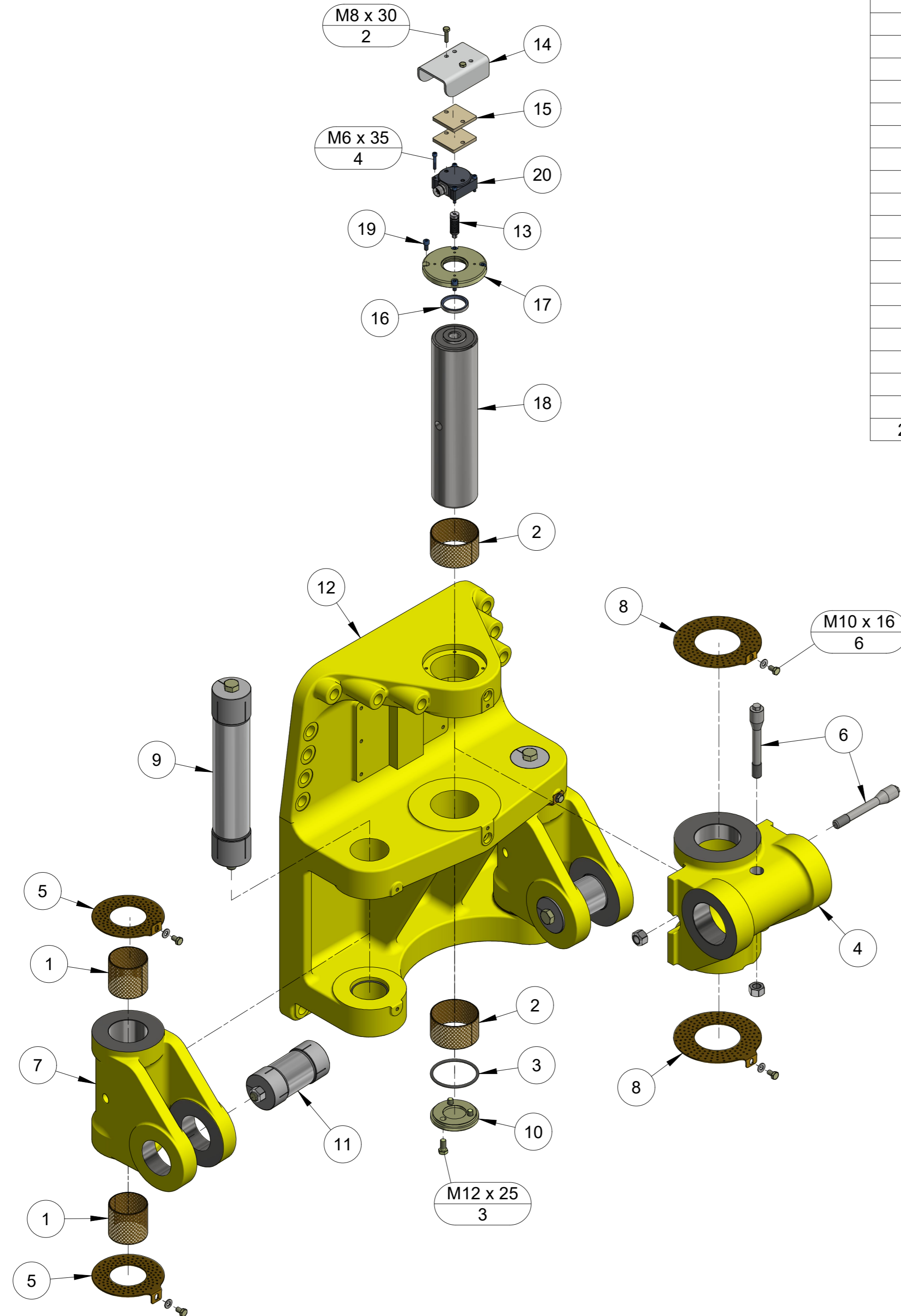


PART NUMBER	DESCRIPTION
	RCS5 RHS27E - E7C ROD HANDLER BOX
	
	
MT Parts: 0407 059 610 1 Haehsy Circuit, Roseworthy S.A. 5371 171 Dugan Street, Kalgoorlie W.A. 6430 <a href="mailto:parts@mtunderground.com">parts@mtunderground.com</a> <a href="http://www.mtunderground.com">www.mtunderground.com</a>	
PAGE	3.3



SECTION 4: BOOM



PART NUMBER	DESCRIPTION
MT3128 3235 00C	BOOM COMPLETE E7C
	MT Parts: 0407 059 610 1 Hahey Circuit, Roseworthy S.A. 5371 171 Dugan Street, Kalgoorlie W.A. 6430 <a href="mailto:parts@mtunderground.com">parts@mtunderground.com</a> <a href="http://www.mtunderground.com">www.mtunderground.com</a>
 <b>MAINTENANCE TECHNIQUE</b>	



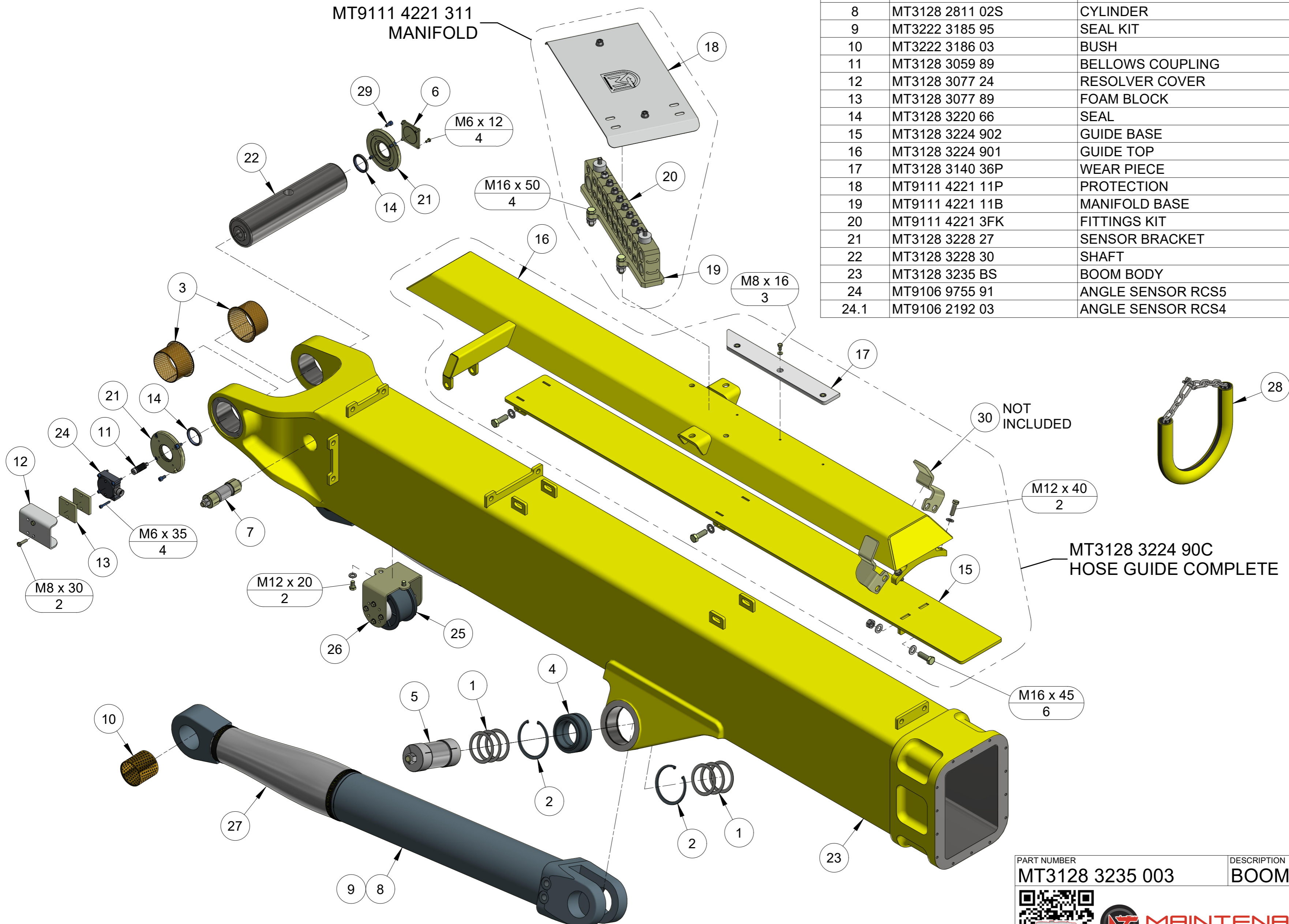
ITEM	PART NUMBER	DESCRIPTION	QTY	COMMENTS
1	MT0500 4500 17	PLAIN BEARING	4	
2	MT0500 4501 32	PLAIN BEARING	2	
3	MT0663 2146 00	O-RING	1	
4	MT3128 2808 10S	BOOM LINK BUT45	1	Service ex.
5	MT3128 2808 15	THRUST WASHER	4	
6	MT3128 2808 17	BOLT	2	
7	MT3128 2808 20S	LINK BUT45	2	Service ex.
8	MT3128 2808 22	THRUST WASHER	2	
9	MT3128 2808 25	EXPANDING SHAFT	2	
10	MT3128 2808 26	WASHER	1	
11	MT3128 2808 85	EXPANDING SHAFT	2	
12	MT3128 2811 95S	BOOM ATTACHMENT	1	Service ex.
13	MT3128 3059 89	BELLOWS COUPLING	1	
14	MT3128 3077 24	RESOLVER COVER	1	
15	MT3128 3077 89	FOAM BLOCK	2	
16	MT3128 3220 66	SEAL	1	
17	MT3128 3228 27	SENSOR BRACKET	1	
18	MT3128 3228 30	SHAFT	1	
19	MT0211 1322 03	M8x16 SHCS	4	
20	MT9106 9755 91	ANGLE SENSOR RCS5	1	
20.1	MT9106 2192 03	ANGLE SENSOR RCS4		



PART NUMBER <b>MT3128 3235 002</b>		DESCRIPTION <b>BOOM ATTACHMENT E7C</b>	
			
MT Parts: 0407 059 610 1 Haesy Circuit, Roseworthy S.A. 5371 171 Dugan Street, Kalgoorlie W.A. 6430 <a href="mailto:parts@mtunderground.com">parts@mtunderground.com</a> <a href="http://www.mtunderground.com">www.mtunderground.com</a>		PAGE <b>4.1</b>	

ITEM	PART NUMBER	DESCRIPTION	QTY	COMMENTS
25	MT9106 2192 16	LINEAR SENSOR	1	
26	MT3128 2809 60	SENSOR BRACKET	1	
27	MT3128 2811 02P	CYLINDER COVER	2	
28	MT3128 3077 19CA	CHAIN RING ASSEMBLY	12	
29	MT0211 1322 03	M8x16 SHCS	8	
30	MT3128 3224 906	WELD ON GUSSET		Optional, sold as a pair

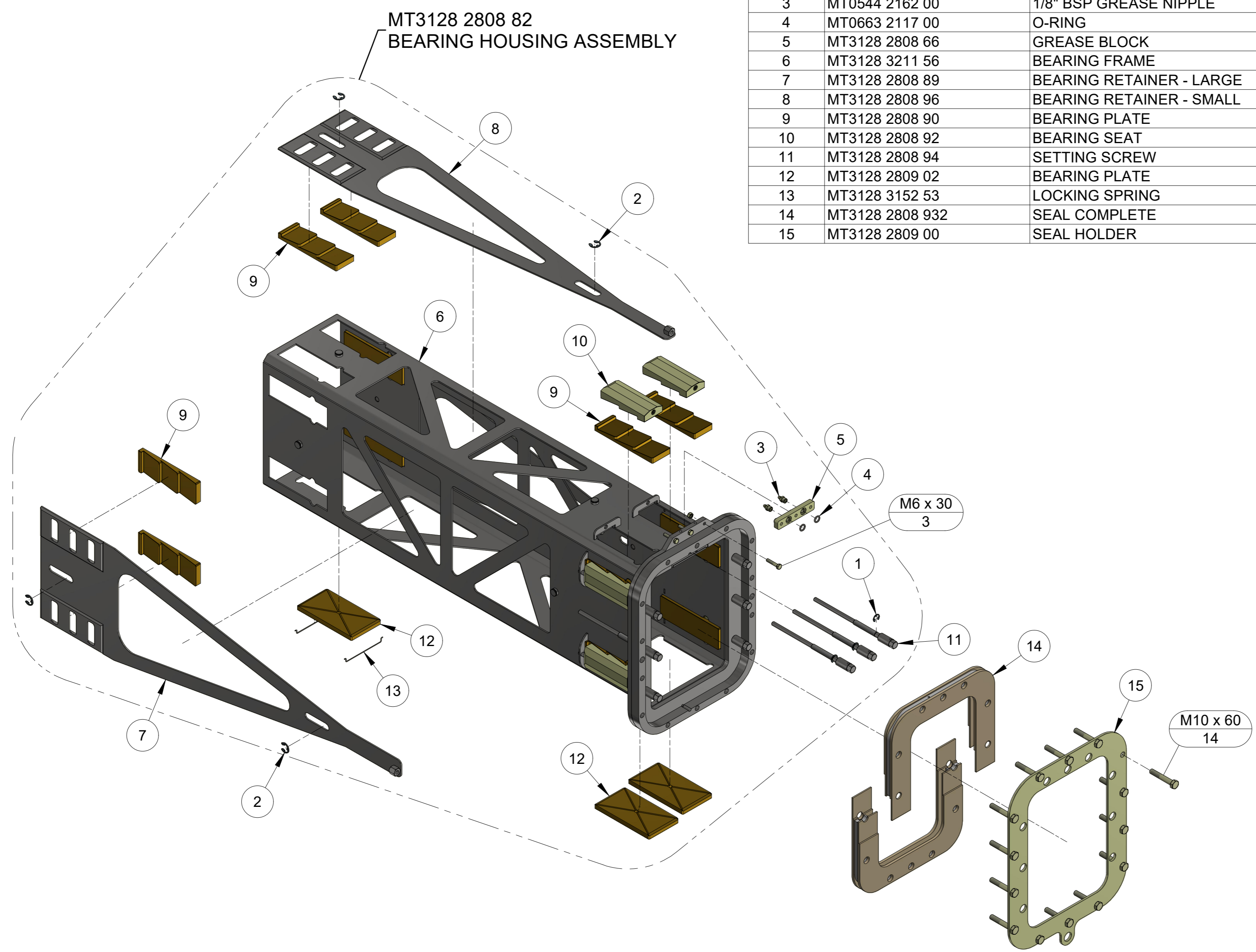
ITEM	PART NUMBER	DESCRIPTION	QTY	COMMENTS
1	MT0324 1550 79	ADJUSTMENT WASHER	12	
2	MT0335 2176 00	CIRCLIP	4	
3	MT0500 4501 30	FLANGE BEARING	2	
4	MT0501 0000 39	SPHERICAL BEARING	2	
5	MT3128 2808 85	EXPANDING SHAFT	2	
6	MT3128 2809 03	COVER	1	
7	MT3128 2809 47	EXPANDING SHAFT	1	
8	MT3128 2811 02S	CYLINDER	2	Service ex.
9	MT3222 3185 95	SEAL KIT	2	
10	MT3222 3186 03	BUSH	2	
11	MT3128 3059 89	BELLOWS COUPLING	1	
12	MT3128 3077 24	RESOLVER COVER	1	
13	MT3128 3077 89	FOAM BLOCK	2	
14	MT3128 3220 66	SEAL	2	
15	MT3128 3224 902	GUIDE BASE	1	
16	MT3128 3224 901	GUIDE TOP	1	
17	MT3128 3140 36P	WEAR PIECE	1	
18	MT9111 4221 11P	PROTECTION	1	
19	MT9111 4221 11B	MANIFOLD BASE	1	
20	MT9111 4221 3FK	FITTINGS KIT	1	
21	MT3128 3228 27	SENSOR BRACKET	2	
22	MT3128 3228 30	SHAFT	1	
23	MT3128 3235 BS	BOOM BODY	1	Service ex.
24	MT9106 9755 91	ANGLE SENSOR RCS5	1	
24.1	MT9106 2192 03	ANGLE SENSOR RCS4		



MT9111 4221 311  
MANIFOLD



PART NUMBER <b>MT3128 3235 003</b>	DESCRIPTION <b>BOOM OUTER E7C</b>
 	
MT Parts: 0407 059 610 1 Haesy Circuit, Roseworthy S.A. 5371 171 Dugan Street, Kalgoorlie W.A. 6430 <a href="mailto:parts@mtunderground.com">parts@mtunderground.com</a> <a href="http://www.mtunderground.com">www.mtunderground.com</a>	
PAGE	<b>4.2</b>

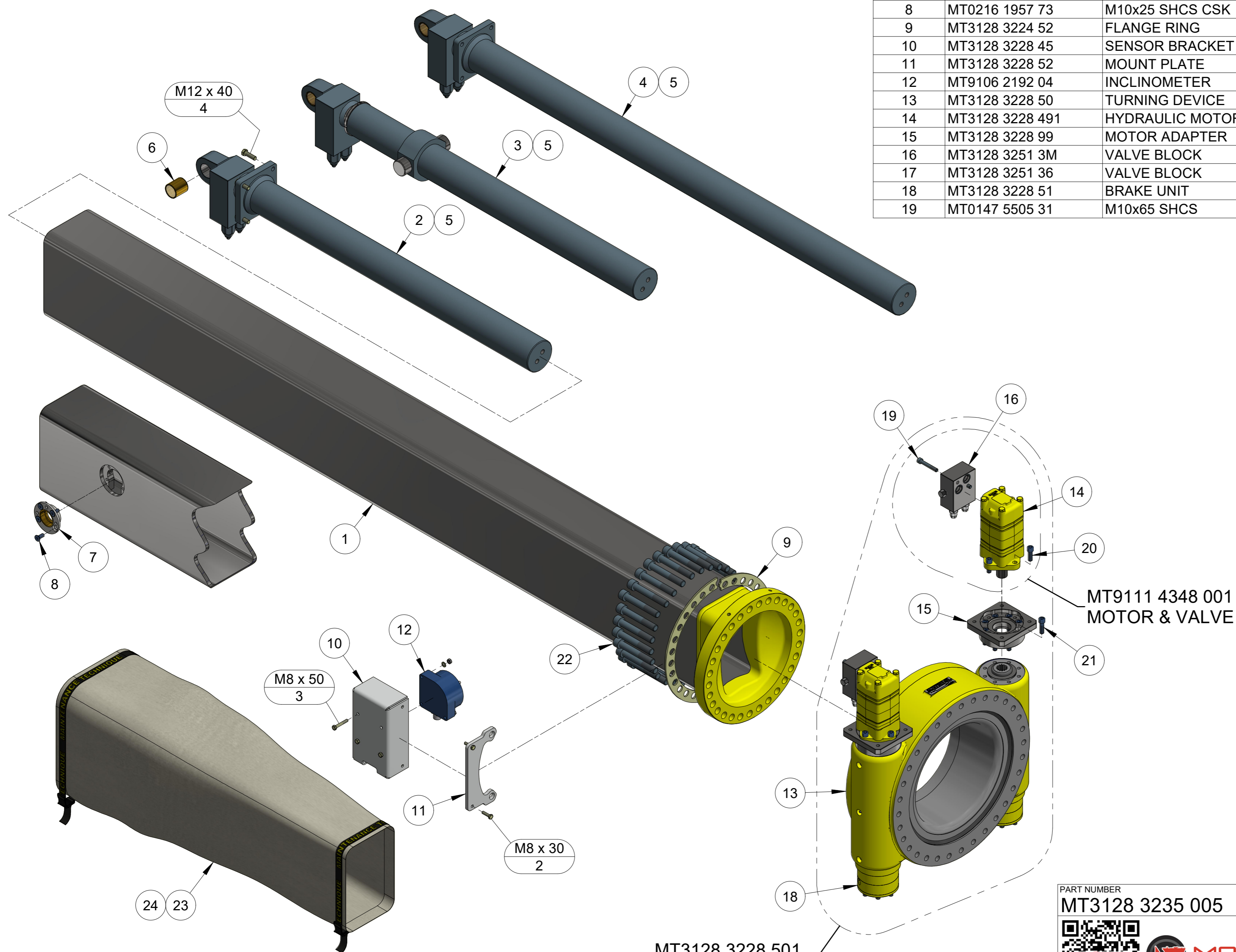
ITEM	PART NUMBER	DESCRIPTION	QTY	COMMENTS
1	MT0335 3110 00	RETAINING RING	9	
2	MT0335 3113 00	RETAINING RING	6	
3	MT0544 2162 00	1/8" BSP GREASE NIPPLE	2	
4	MT0663 2117 00	O-RING	2	
5	MT3128 2808 66	GREASE BLOCK	1	
6	MT3128 3211 56	BEARING FRAME	1	
7	MT3128 2808 89	BEARING RETAINER - LARGE	2	
8	MT3128 2808 96	BEARING RETAINER - SMALL	1	
9	MT3128 2808 90	BEARING PLATE	12	
10	MT3128 2808 92	BEARING SEAT	6	
11	MT3128 2808 94	SETTING SCREW	9	
12	MT3128 2809 02	BEARING PLATE	3	
13	MT3128 3152 53	LOCKING SPRING	2	
14	MT3128 2808 932	SEAL COMPLETE	1	
15	MT3128 2809 00	SEAL HOLDER	1	



PART NUMBER <b>MT3128 3235 004</b>	DESCRIPTION <b>BEARING UNIT E7C</b>
	
MT Parts: 0407 059 610 1 Hahey Circuit, Roseworthy S.A. 5371 171 Dugan Street, Kalgoorlie W.A. 6430 <a href="mailto:parts@mtunderground.com">parts@mtunderground.com</a> <a href="http://www.mtunderground.com">www.mtunderground.com</a>	
PAGE <b>4.3</b>	



ITEM	PART NUMBER	DESCRIPTION	QTY	COMMENTS
19.1	MT0211 5295 00	3/8x21/2 UNC SHCS		OEM hydraulic motor only
20	MT0211 1402 03	M12x35 SHCS	8	
21	MT0211 1962 94	M12x40 SHCS	16	
22	MT0211 1102 98	M20x130 SHCS	30	
23	MT3128 3235 010	ZOOM COVER	1	E7 - 1.0m
24	MT3128 3235 015	ZOOM COVER		ME7 - 1.6m

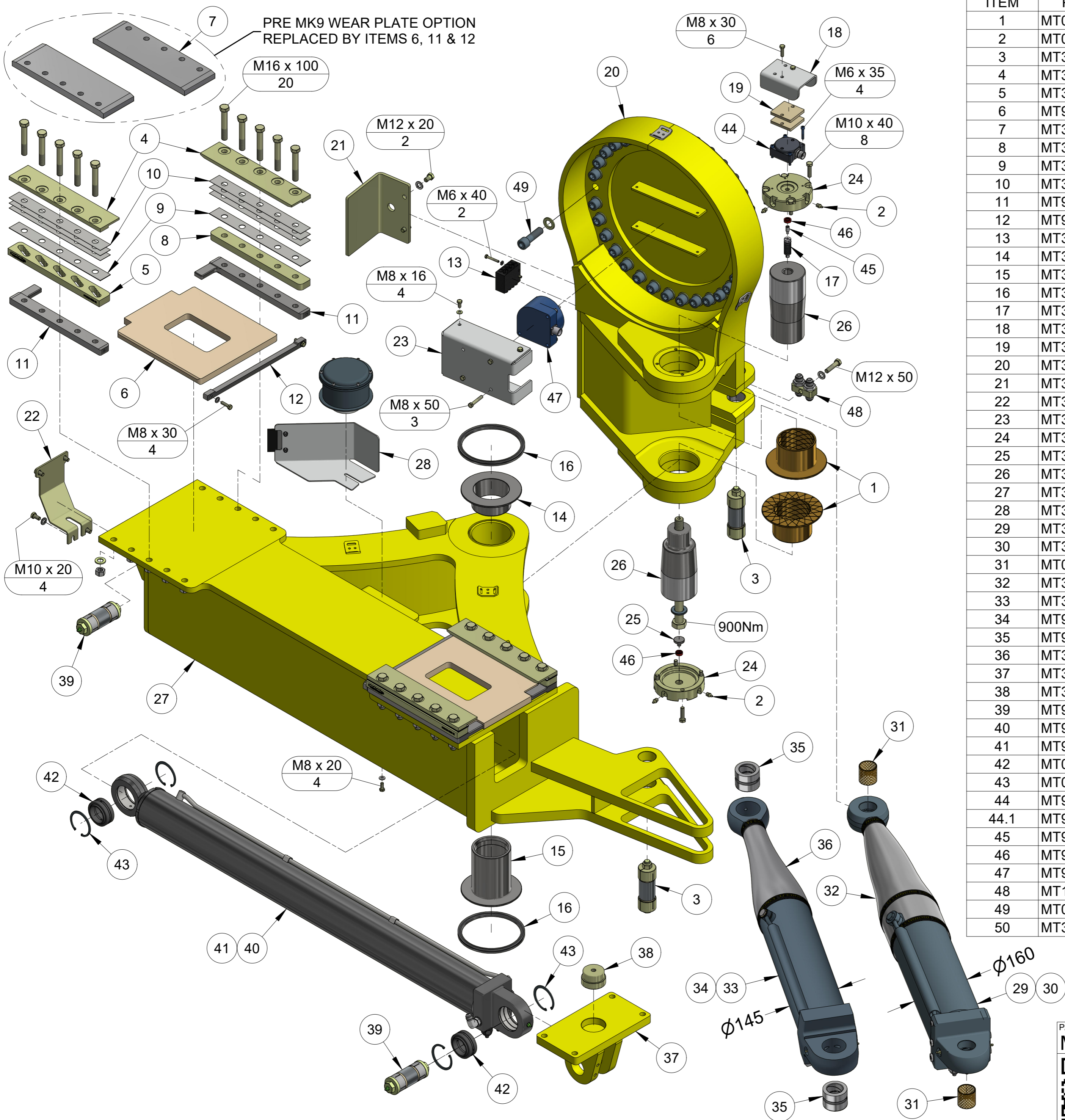
ITEM	PART NUMBER	DESCRIPTION	QTY	COMMENTS
1	MT3128 3224 11S	EXTENSION TUBE	1	Service ex.
2	MT3128 3224 21S	BOOM EXTENSION CYLINDER	1	E7 - 1.0m Service ex.
3	MT3128 3268 06	BOOM EXTENSION CYLINDER		E7 - 1.0m Service ex.
4	MT3128 3224 18S	BOOM EXTENSION CYLINDER		ME7 - 1.6m Service ex.
5	MT3222 3185 72	SEAL KIT	1	
6	MT3222 3185 73	BUSH	1	
7	MT3128 3268 08	ZOOM BUSH	2	
8	MT0216 1957 73	M10x25 SHCS CSK	8	
9	MT3128 3224 52	FLANGE RING	2	
10	MT3128 3228 45	SENSOR BRACKET	1	
11	MT3128 3228 52	MOUNT PLATE	1	
12	MT9106 2192 04	INCLINOMETER	1	
13	MT3128 3228 50	TURNING DEVICE	1	
14	MT3128 3228 491	HYDRAULIC MOTOR	2	Requires MT valve block & adapter
15	MT3128 3228 99	MOTOR ADAPTER	2	Required to fit MT motor
16	MT3128 3251 3M	VALVE BLOCK	2	MT hydraulic motor only
17	MT3128 3251 36	VALVE BLOCK		OEM hydraulic motor only
18	MT3128 3228 51	BRAKE UNIT	2	
19	MT0147 5505 31	M10x65 SHCS	4	MT hydraulic motor only



MT9111 4348 001  
MOTOR & VALVE



MT3128 3228 501  
TURNING DEVICE COMPLETE

PART NUMBER <b>MT3128 3235 005</b>	DESCRIPTION <b>BOOM INNER E7C</b>
 	
MT Parts: 0407 059 610 1 Haesy Circuit, Roseworthy S.A. 5371 171 Dugan Street, Kalgoorlie W.A. 6430 <a href="mailto:parts@mtunderground.com">parts@mtunderground.com</a> <a href="http://www.mtunderground.com">www.mtunderground.com</a>	
PAGE	<b>4.4</b>



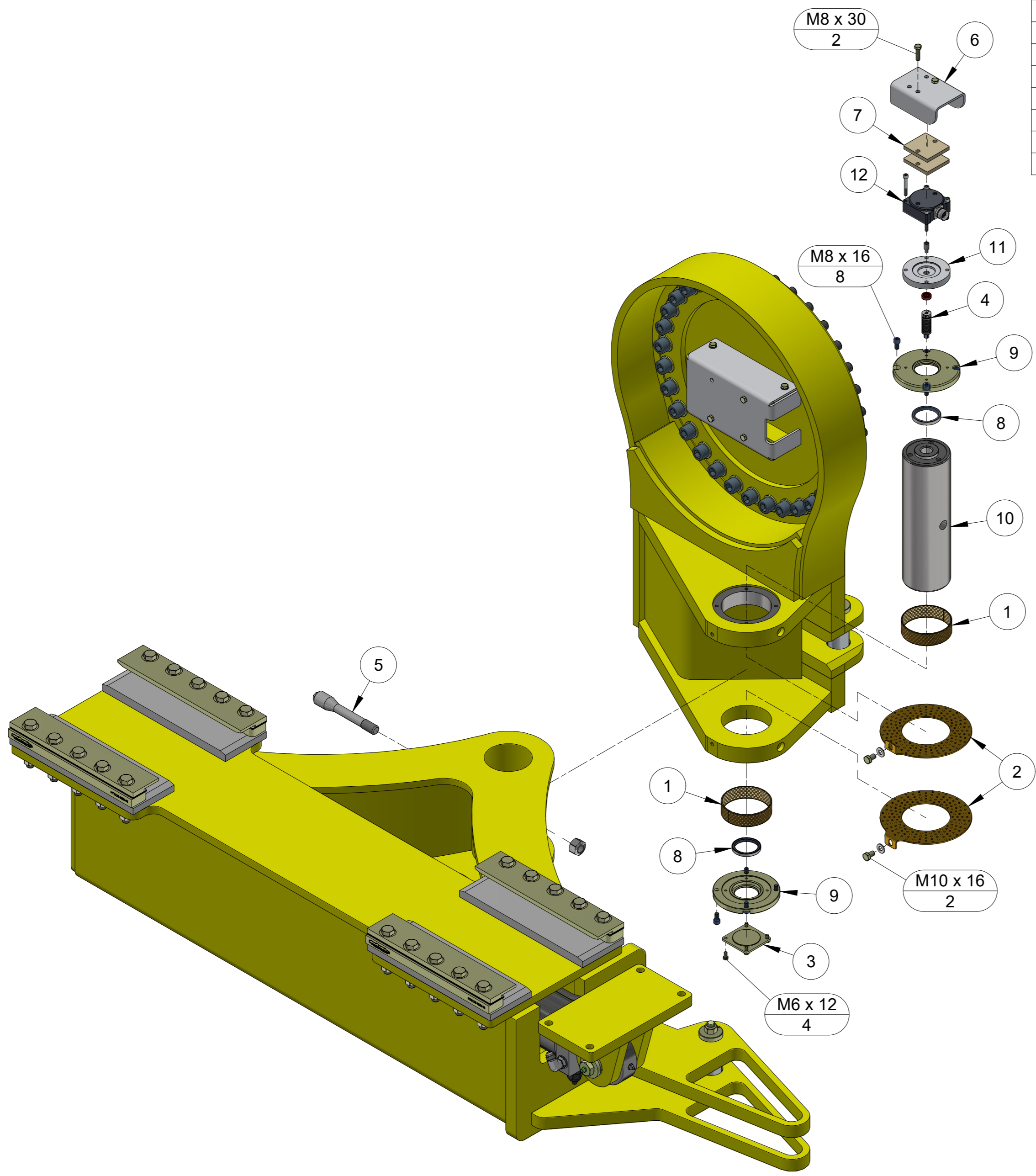
ITEM	PART NUMBER	DESCRIPTION	QTY	COMMENTS
1	MT0500 4501 380	FLANGE BEARING	2	*
2	MT0544 2162 00	GREASE NIPPLE	4	*
3	MT3125 1982 80	EXPANDING SHAFT	2	
4	MT3128 0031 36	CLAMP	4	
5	MT3128 0553 01	GUIDE STRIP	2	
6	MT9111 0003 10	WEAR PLATE	2	
7	MT3128 0554 02	WEAR PLATE		Pre MK9 option
8	MT3128 0556 01	GUIDE STRIP	2	
9	MT3128 0557 00	SHIM 1.5mm	4	
10	MT3128 0558 00	SHIM	12	
11	MT9111 0003 08	WEAR PLATE	4	
12	MT9111 0003 09	CLAMP	2	
13	MT3128 2538 03	GREASE DIST. BLOCK	1	8 port
14	MT3128 2808 220	TAPER BUSH UPPER	1	*
15	MT3128 2808 221	TAPER BUSH LOWER	1	*
16	MT3128 2808 222	SEAL	2	*
17	MT3128 3059 89	BELLOWS COUPLING	1	*
18	MT3128 3077 24	RESOLVER COVER	1	*
19	MT3128 3077 89	FOAM BLOCK	2	*
20	MT3128 3224 61	BRACKET	1	*
21	MT3128 3224 610	GREASE BLOCK COVER	1	*
22	MT3128 3224 70	COVER PLATE	1	
23	MT3128 3228 45	SENSOR BRACKET	1	
24	MT3128 3228 270	SENSOR BRACKET	2	*
25	MT3128 3228 271	PLUG	1	*
26	MT3128 3229 000	SHAFT	1	*
27	MT3128 3224 63	FEED HOLDER	1	*
28	MT3128 3235 020	WIRE REEL COVER	1	
29	MT3128 3246 02S	TILT CYLINDER	1	E7 - $\varnothing 160$ Service ex.
30	MT3177 0003 34	SEAL KIT	1	
31	MT0500 4500 54	BUSHING	2	
32	MT3128 3246 02P	CYLINDER COVER	1	
33	MT3128 3168 82S	TILT CYLINDER		M7 - $\varnothing 145$ Service ex.
34	MT9106 1909 53	SEAL KIT		
35	MT9128 7344 00	BUSHING		
36	MT3128 3168 82MP	CYLINDER COVER		
37	MT3128 0032 28	CYLINDER BRACKET	1	
38	MT3115 0711 00	DRIVER	1	
39	MT9106 2023 13	EXPANDING SHAFT	2	
40	MT9106 2023 14S	HYDRAULIC CYLINDER	1	Service ex.
41	MT9106 2023 14SK	SEAL KIT	1	
42	MT0501 0000 08	SPHERICAL BEARING	2	
43	MT0335 2158 00	CIRCLIP	4	
44	MT9106 9755 91	ANGLE SENSOR RCS5	1	*
44.1	MT9106 2192 03	ANGLE SENSOR RCS4		
45	MT9106 2192 03S	EXTENSION SHAFT	1	*
46	MT9106 2192 03V	LIP SEAL	2	*
47	MT9106 2192 04	INCLINOMETER	1	
48	MT1214 14	BULKHEAD COMPLETE 7/8	1	
49	MT0211 1963 18	M20x70 SHCS	32	
50	MT3128 3235 00R	FEED HOLDER COMPLETE	1	Includes*



NOTE: ITEMS 20 & 27 REQUIRE MODIFICATION FOR MT TAPER/SPLIT SHAFT UPGRADE

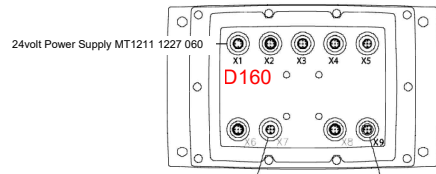
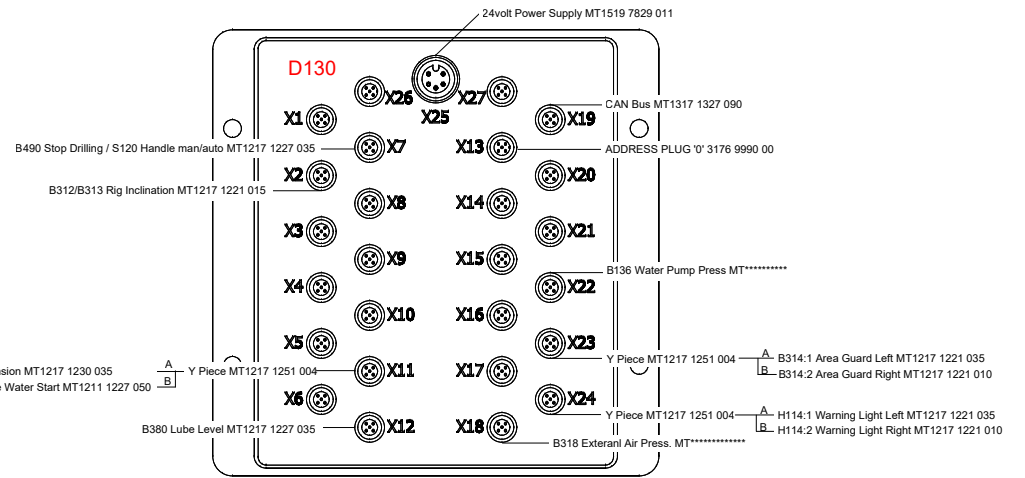
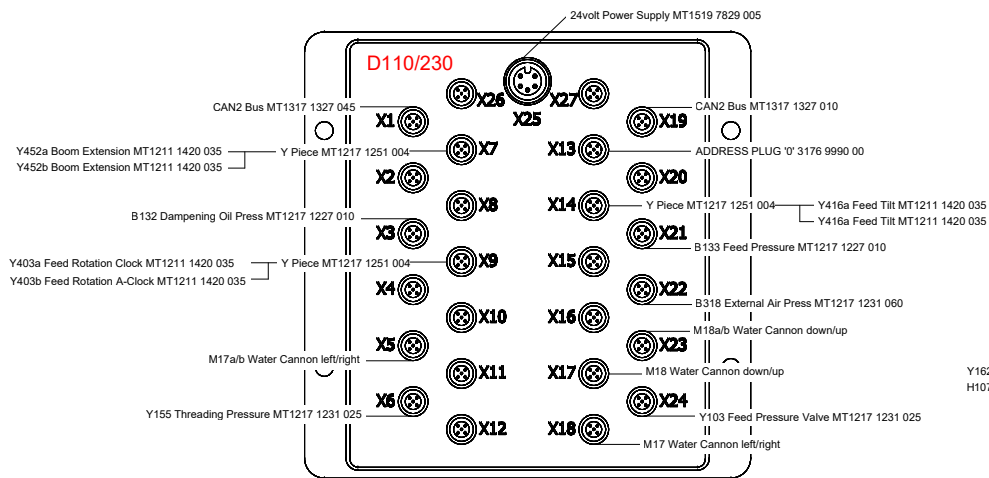
PART NUMBER <b>MT3128 3235 006</b>	DESCRIPTION <b>MT FEED HOLDER ASSEMBLY E7C</b>
	
	
MT Parts: 0407 059 610 1 Haehy Circuit, Roseworthy S.A. 5371 171 Dugan Street, Kalgoorlie W.A. 6430 <a href="mailto:parts@mtunderground.com">parts@mtunderground.com</a> <a href="http://www.mtunderground.com">www.mtunderground.com</a>	
PAGE <b>4.5</b>	

ITEM	PART NUMBER	DESCRIPTION	QTY	COMMENTS
1	MT0500 4501 38	PLAIN BEARING	2	
2	MT3128 2808 22	THRUST WASHER	2	
3	MT3128 2809 03	COVER	1	
4	MT3128 3059 89	BELLOWS COUPLING	1	
5	MT3128 3069 53	BOLT	1	Includes M20 nut
6	MT3128 3077 24	RESOLVER COVER	1	
7	MT3128 3077 89	FOAM BLOCK	2	
8	MT3128 3220 66	SEAL	2	
9	MT3128 3228 27	SENSOR BRACKET	2	
10	MT3128 3229 00	SHAFT	1	
11	MT9772 0115 16	RESOLVER SEAL KIT	1	Includes 4 x M6x45 S/S SHCS
12	MT9106 9755 91	ANGLE SENSOR RCS5	1	
12.1	MT9106 2192 03	ANGLE SENSOR RCS4		

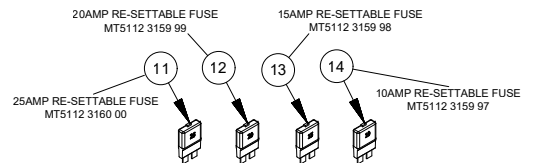
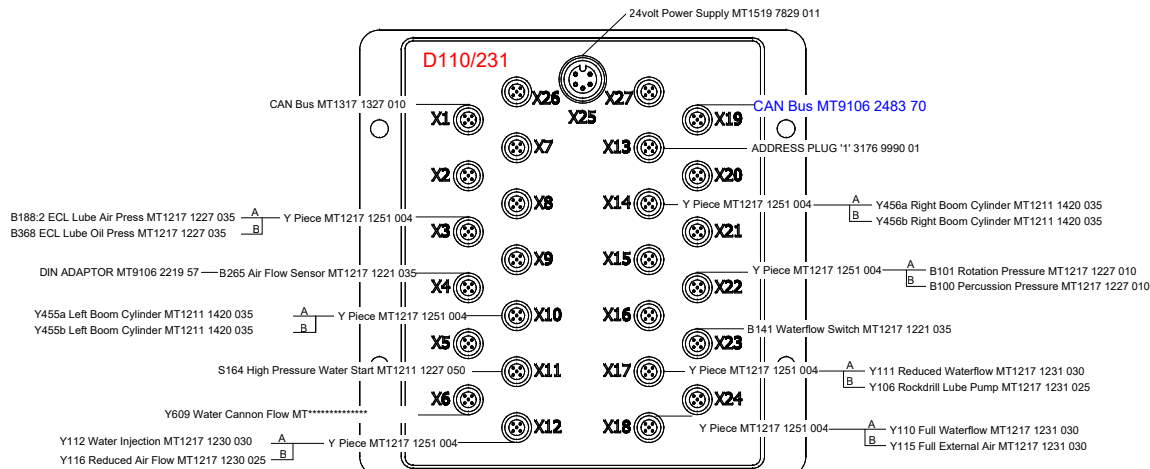
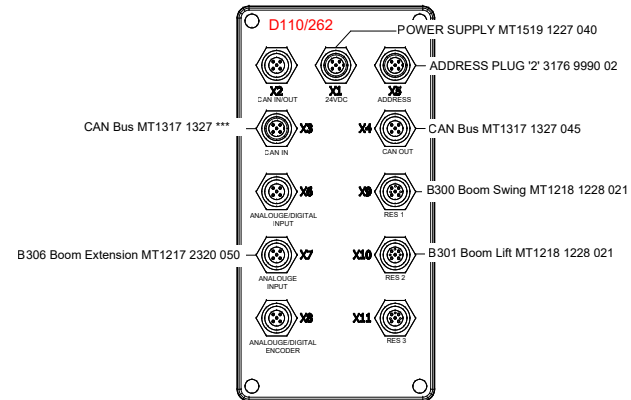
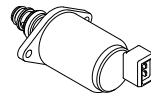
REFER PAGE 4.5 FOR ITEMS NOT LISTED ABOVE



PART NUMBER <b>MT3128 3235 007</b>	DESCRIPTION <b>OEM FEED HOLDER E7C</b>
 	
MT Parts: 0407 059 610 1 Haesy Circuit, Roseworthy S.A. 5371 171 Dugan Street, Kalgoorlie W.A. 6430 <a href="mailto:parts@mtunderground.com">parts@mtunderground.com</a> <a href="http://www.mtunderground.com">www.mtunderground.com</a>	
PAGE	<b>4.6</b>



DIRECTIONAL CONTROL VALVE MT9106 1305 09



PART NUMBER	DESCRIPTION
	RCS5 E-TRAM E7C BOOM FRAME
 	
MT Parts: 0407 059 610 1 Haehy Circuit, Roseworthy S.A. 5371 171 Dugan Street, Kalgoorlie W.A. 6430 <a href="mailto:parts@mtunderground.com">parts@mtunderground.com</a> <a href="http://www.mtunderground.com">www.mtunderground.com</a>	
	PAGE 4.7