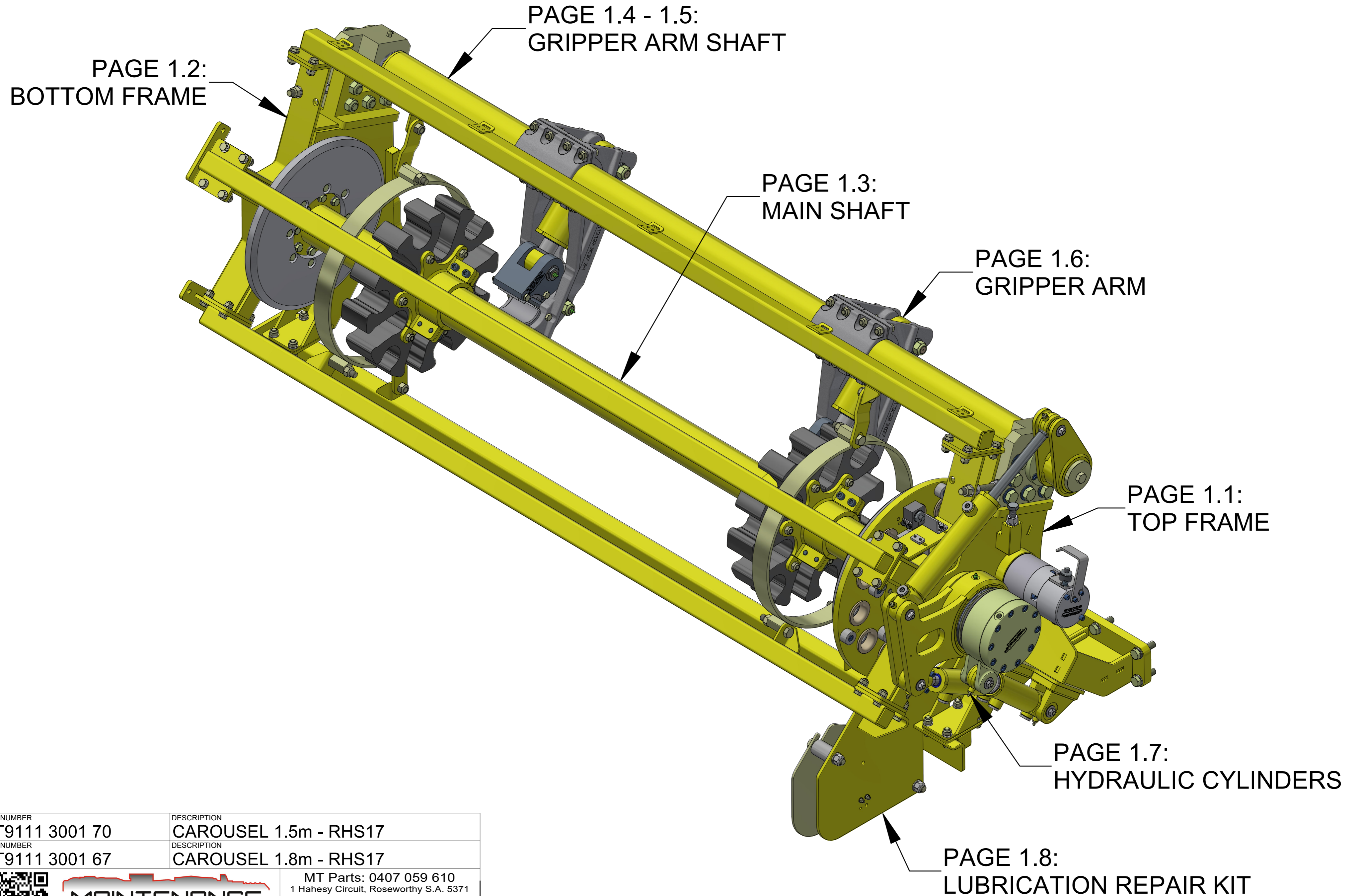

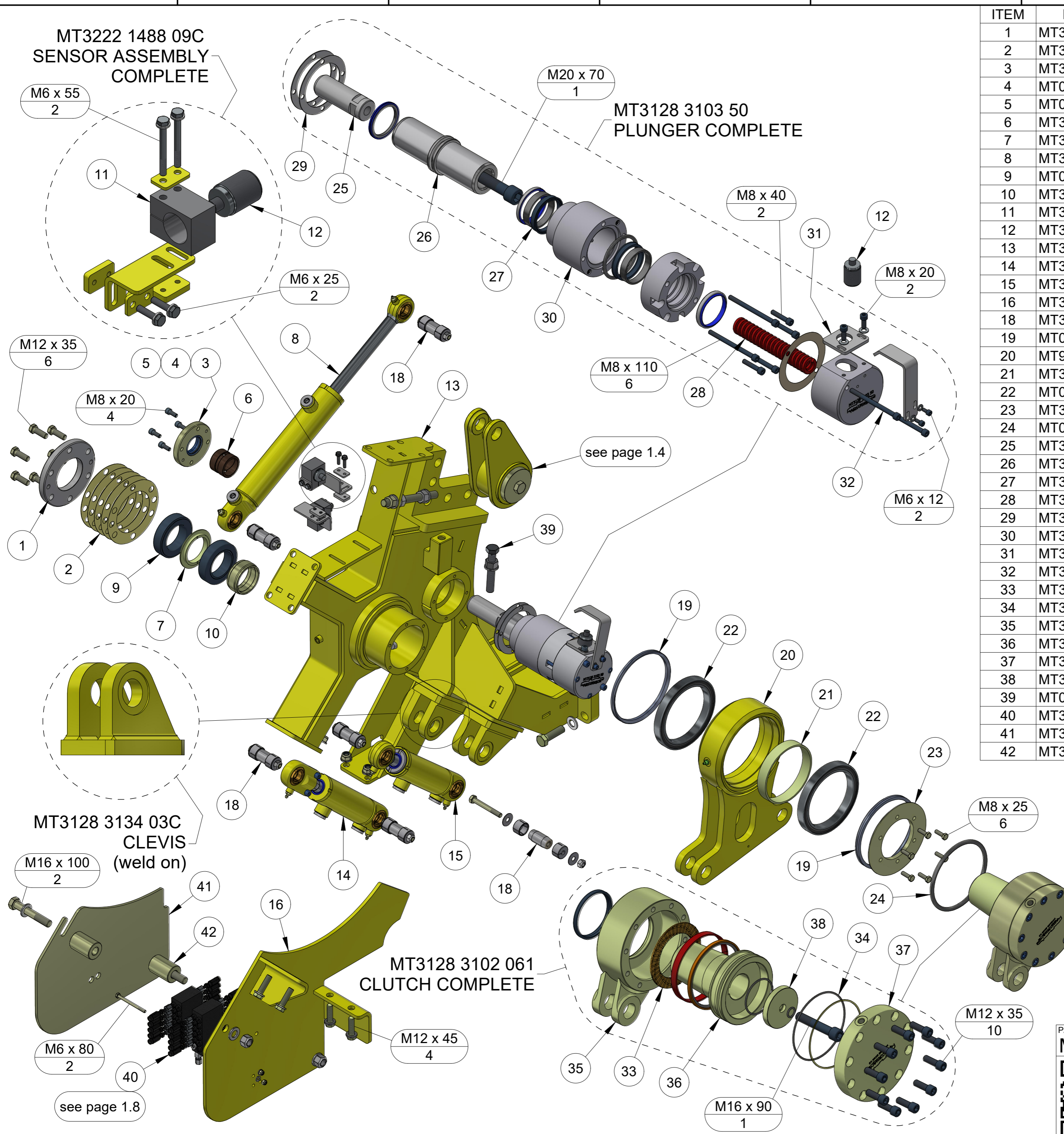


PART NUMBER	DESCRIPTION
MTM7 RHS17 CA	BOOM - FEED ASSEMBLY
	MT Parts: 0407 059 610 1 Haesy Circuit, Roseworthy S.A. 5371 171 Dugan Street, Kalgoorlie W.A. 6430 <a href="mailto:parts@mtunderground.com">parts@mtunderground.com</a> <a href="http://www.mtunderground.com">www.mtunderground.com</a>
 <b>MAINTENANCE TECHNIQUE</b> UNDERGROUND DRILL RELIABILITY	

SECTION 1: CAROUSEL




PART NUMBER MT9111 3001 70	DESCRIPTION CAROUSEL 1.5m - RHS17
PART NUMBER MT9111 3001 67	DESCRIPTION CAROUSEL 1.8m - RHS17
 <b>MAINTENANCE TECHNIQUE</b> UNDERGROUND DRILL RELIABILITY	
MT Parts: 0407 059 610 1 Haesy Circuit, Roseworthy S.A. 5371 171 Dugan Street, Kalgoorlie W.A. 6430 <a href="mailto:parts@mtunderground.com">parts@mtunderground.com</a> <a href="http://www.mtunderground.com">www.mtunderground.com</a>	



ITEM	PART NUMBER	DESCRIPTION	QTY	COMMENTS
1	MT3128 3102 14	COVER	1	
2	MT3128 3115 79	SHIM	5	
3	MT3128 3102 17S	COVER	1	Includes items 4 & 5
4	MT0665 9170 01	WIPER	1	
5	MT0665 9170 011	RADIAL SHAFT SEAL	1	
6	MT3128 3102 18	PLAIN BEARING	1	
7	MT3128 3102 13	SPACER	1	
8	MT3128 3134 04	CYLINDER - SWING	1	See page 1.7
9	MT0501 0000 51	BEARING	2	
10	MT3128 3102 12	SPACER RHS	1	
11	MT3128 3020 94	CLAMP	2	
12	MT3222 1488 09	INDUCTIVE SENSOR	3	
13	MT3128 3101 97	END PIECE	1	
14	MT3128 3134 03	CYLINDER - PARK	1	See page 1.7
15	MT3128 3134 01	CYLINDER - INDEX	1	See page 1.7
16	MT3128 3117 14	PROTECTION	1	
18	MT3128 3104 72	RHS PIN COMPLETE	6	
19	MT0666 8097 02	V-RING SEAL	2	
20	MT9111 4088 50	LINK ARM	1	
21	MT3128 3102 09	SPACER	1	
22	MT0502 1091 94	BALL BEARING	2	
23	MT3128 3102 08	COVER	1	
24	MT0663 2158 00	O-RING	1	
25	MT3128 3103 53	PLUNGER	1	
26	MT3128 3103 52	PISTON ROD	1	
27	MT3128 3103 SK	PLUNGER SEAL KIT	1	Complete (7 items)
28	MT3128 3083 72	SPRING	1	
29	MT3128 3097 40	SHIM	3	
30	MT3128 3103 51	HOUSE	1	
31	MT3128 3103 502	SENSOR MOUNT PLATE	1	
32	MT3128 3103 50BK	BOLT KIT	1	
33	MT3214 7790 00	DISC	1	
34	MT3128 3102 061SK	CLUTCH SEAL KIT	1	Complete (7 items)
35	MT3128 3102 06	ARM	1	
36	MT3128 2206 00	PISTON ROD	1	
37	MT3128 3102 15	COVER (CLUTCH)	1	
38	MT3128 2288 00	COVER (RETAINER)	1	
39	MT0147 1961 80C	SCREW & NUT	1	
40	MT3128 2538 18	GREASE DISTRIBUTOR BLOCK	2	12 port
41	MT3128 3117 141	GREASE BLOCK PROTECTION	1	
42	MT3128 3117 142	SPACER	2	

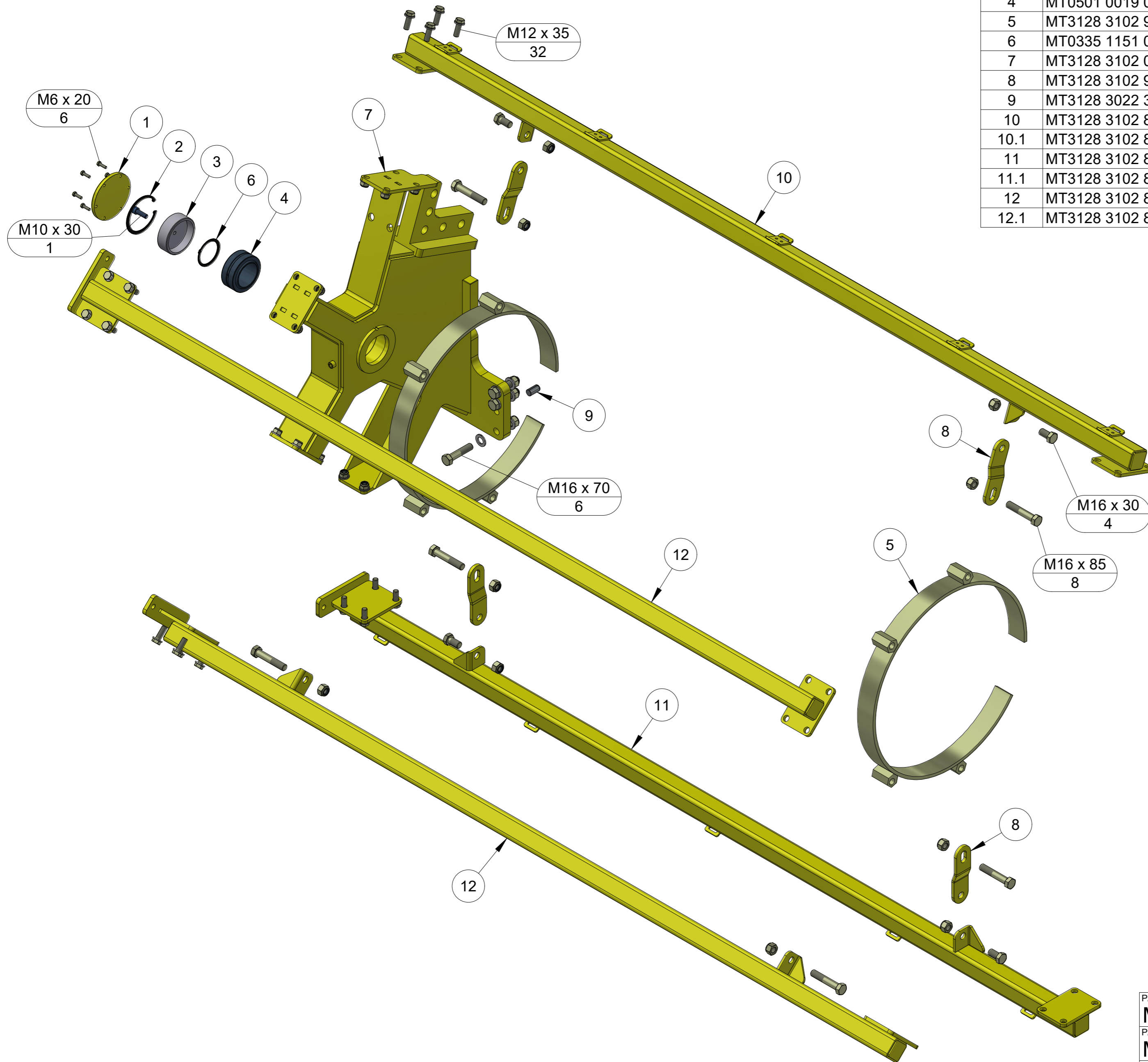
PART NUMBER: **MT9111 3001 67-2** DESCRIPTION: **TOP FRAME - RHS17**




**MAINTENANCE TECHNIQUE**  
UNDERGROUND DRILL RELIABILITY


MT Parts: 0407 059 610  
1 Haesy Circuit, Roseworthy S.A. 5371  
171 Dugan Street, Kalgoorlie W.A. 6430  
[parts@mtunderground.com](mailto:parts@mtunderground.com) [www.mtunderground.com](http://www.mtunderground.com) PAGE 1.1

ITEM	PART NUMBER	DESCRIPTION	QTY	COMMENTS
1	MT3128 3102 16	COVER	1	
2	MT0335 2166 00	CIRCLIP	1	
3	MT3128 2192 00	SPACER	1	
4	MT0501 0019 01	BEARING	1	
5	MT3128 3102 94	PROTECTION ARCH	2	Includes item 9
6	MT0335 1151 00	CIRCLIP	1	
7	MT3128 3102 00	END PIECE	1	
8	MT3128 3102 94B	EXTENSION	4	
9	MT3128 3022 32	DOWEL	2	
10	MT3128 3102 84	STAY	1	1.8m
10.1	MT3128 3102 845	STAY	1	1.5m
11	MT3128 3102 88	STAY	1	1.8m
11.1	MT3128 3102 885	STAY	1	1.5m
12	MT3128 3102 880	STAY	2	1.8m
12.1	MT3128 3102 8805	STAY	2	1.5m



PART NUMBER	DESCRIPTION
MT9111 3001 70-3	BOTTOM FRAME 1.5m - RHS17
PART NUMBER	DESCRIPTION
MT9111 3001 67-3	BOTTOM FRAME 1.8m - RHS17





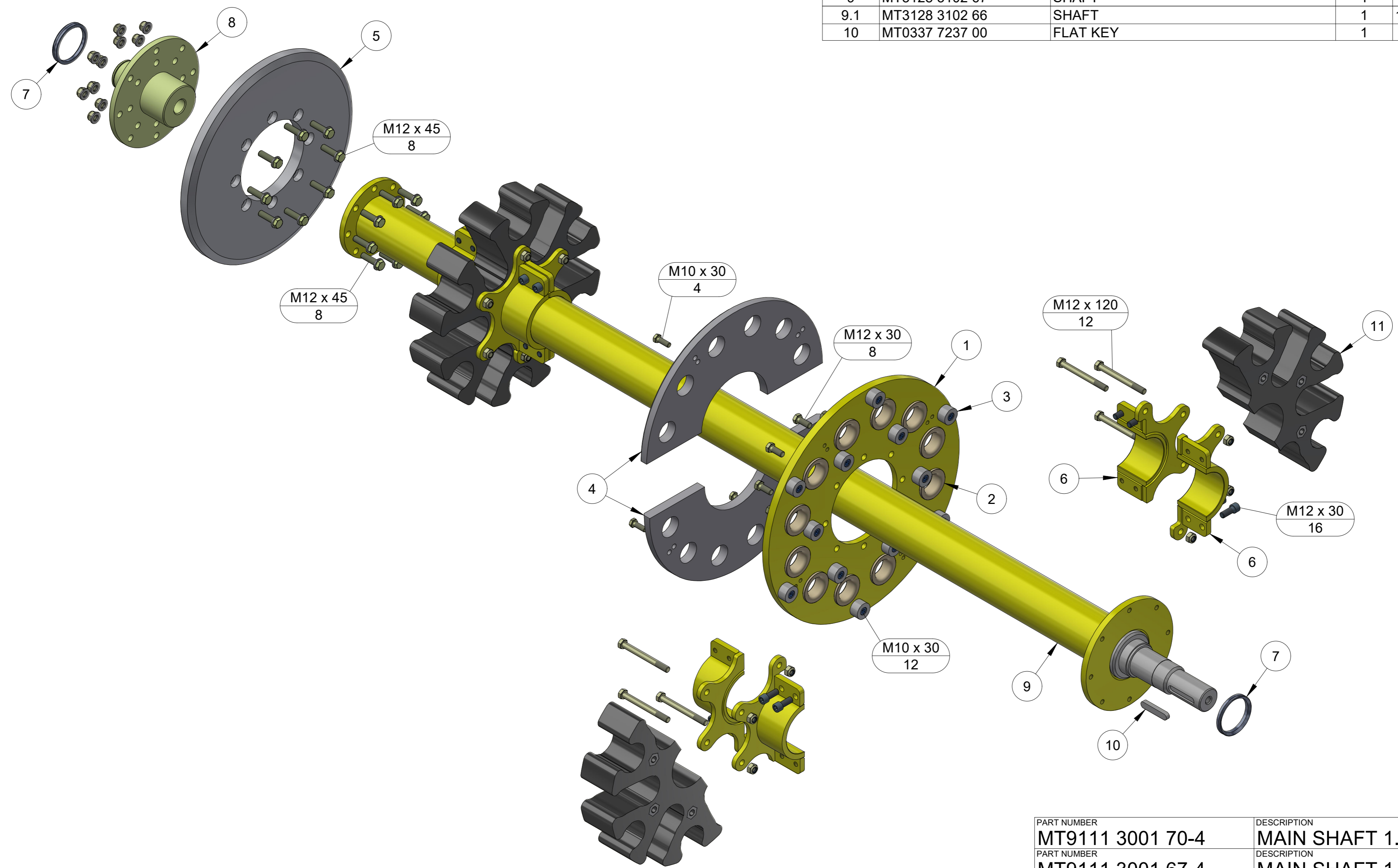
UNDERGROUND DRILL RELIABILITY



MT Parts: 0407 059 610  
 1 Haesy Circuit, Roseworthy S.A. 5371  
 171 Dugan Street, Kalgoorlie W.A. 6430  
[parts@mtunderground.com](mailto:parts@mtunderground.com)  
[www.mtunderground.com](http://www.mtunderground.com)

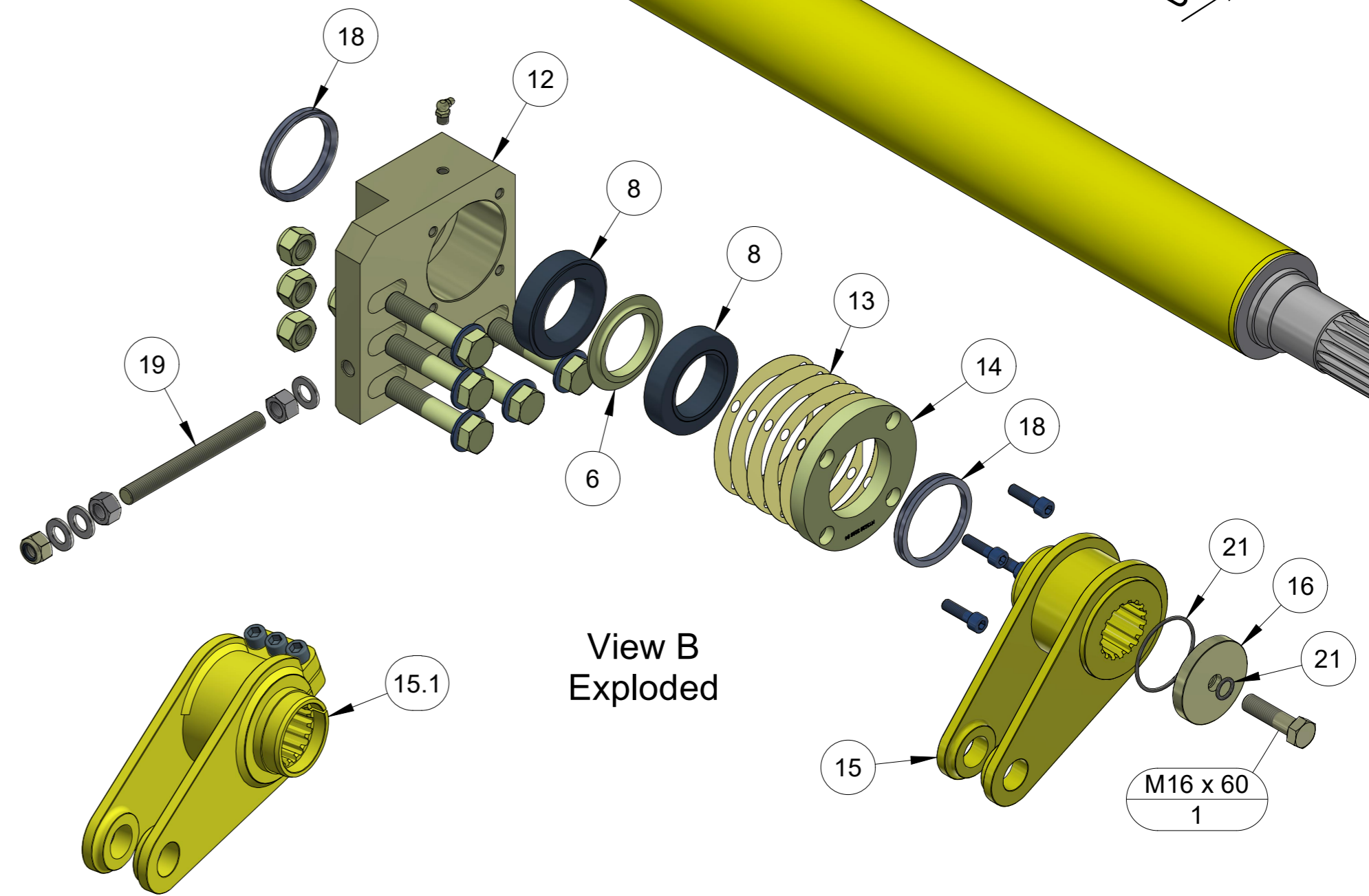
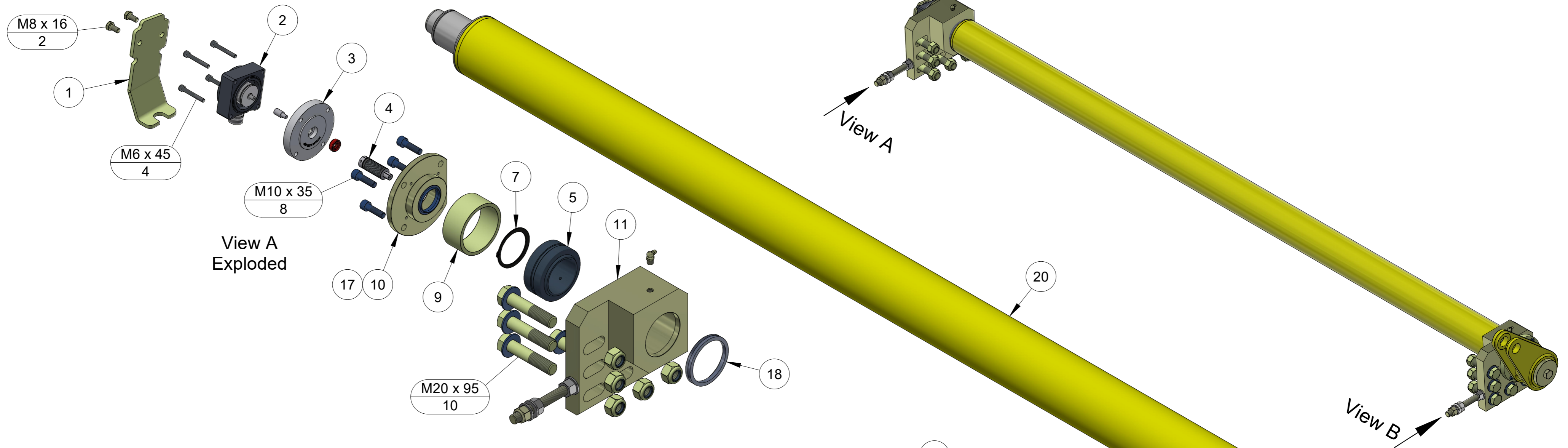
PAGE 1.2

SEGMENTS - RHS17				
ITEM	PART NUMBER	DESCRIPTION	QTY	COMMENTS
11	MT3217	SIMBA MT3217	4	32 speed rod
11.1	MT3817	SIMBA MT3817	4	38 speed rod
11.2	MT4517	SIMBA MT4517	4	45 speed rod
11.3	MT6417	SIMBA MT6417	4	64mm tube

ITEM	PART NUMBER	DESCRIPTION	QTY	COMMENTS
1	MT3128 3102 72	GABLE PLATE	1	
2	MT3128 3102 76	LOCKING PIN INSERT	12	
3	MT3128 3027 60	SPACER	12	
4	MT3128 2376 17	GABLE SPACER	1	
5	MT3128 3102 74	BOTTOM GABLE PLATE	1	
6	MT3128 2227 40	HOLDER	8	
7	MT0666 8000 24	V-RING SEAL	2	
8	MT3128 3102 75	SHAFT	1	
9	MT3128 3102 67	SHAFT	1	1.8m drill tubes
9.1	MT3128 3102 66	SHAFT	1	1.5m drill tubes
10	MT0337 7237 00	FLAT KEY	1	





PART NUMBER <b>MT9111 3001 70-4</b>	DESCRIPTION <b>MAIN SHAFT 1.5m - RHS17</b>
PART NUMBER <b>MT9111 3001 67-4</b>	DESCRIPTION <b>MAIN SHAFT 1.8m - RHS17</b>
	
	<b>MT Parts: 0407 059 610</b> 1 Haesy Circuit, Roseworthy S.A. 5371 171 Dugan Street, Kalgoorlie W.A. 6430 <a href="mailto:parts@mtunderground.com">parts@mtunderground.com</a> <a href="http://www.mtunderground.com">www.mtunderground.com</a>
PAGE <b>1.3</b>	



ITEM	PART NUMBER	DESCRIPTION	QTY	COMMENTS
1	MT3128 3065 45	PROTECTION PLATE	1	
2	MT9106 2192 03	ANGLE SENSOR	1	
3	MT9772 0115 16	RESOLVER SEAL KIT	1	Inc. 4 x M6x45 S/S SHCS
4	MT3128 3059 89	BELLOWS COUPLING	1	
5	MT0501 0019 01	BEARING	1	
6	MT3128 3102 13	SPACER	1	
7	MT0335 1151 00	CIRCLIP	1	
8	MT0501 0000 51	BEARING	2	
9	MT3128 3104 00	SPACER	1	
10	MT3128 3107 13	COVER	1	
11	MT3128 3103 93	BEARING HOUSING	1	
12	MT3128 3103 92	BEARING HOUSING	1	
13	MT3128 3115 78	SHIM	5	
14	MT3128 3103 94	COVER	1	
15	MT3128 3103 98	ARM	1	OEM
15.1	MT3128 3103 982	CLAMPING ARM	1	MT alternative
16	MT3128 2288 00	COVER	1	
17	MT0665 9170 01	WIPER SEAL	1	
18	MT0666 8000 24	V-RING SEAL	3	1 only MK7 on
19	MT0248 9979 54	THREADED ROD	2	
20	MT3128 3103 91	ROD HANDLING ARM	1	1.8m drill tubes
20.1	MT3128 3103 90	ROD HANDLING ARM	1	1.5m drill tubes
21	MT3128 2288 00SK	COVER SEAL KIT	1	
22	MT9111 3001 RK5	GRIPPER REBUILD KIT PRE MK7	0	Inc. items 5, 7, 8, 13, 18 & 21

PART NUMBER <b>MT9111 3001 60-5</b>	DESCRIPTION <b>GRIPPER SHAFT 1.5m (pre MK7)</b>
PART NUMBER <b>MT9111 3001 61-5</b>	DESCRIPTION <b>GRIPPER SHAFT 1.8m (pre MK7)</b>

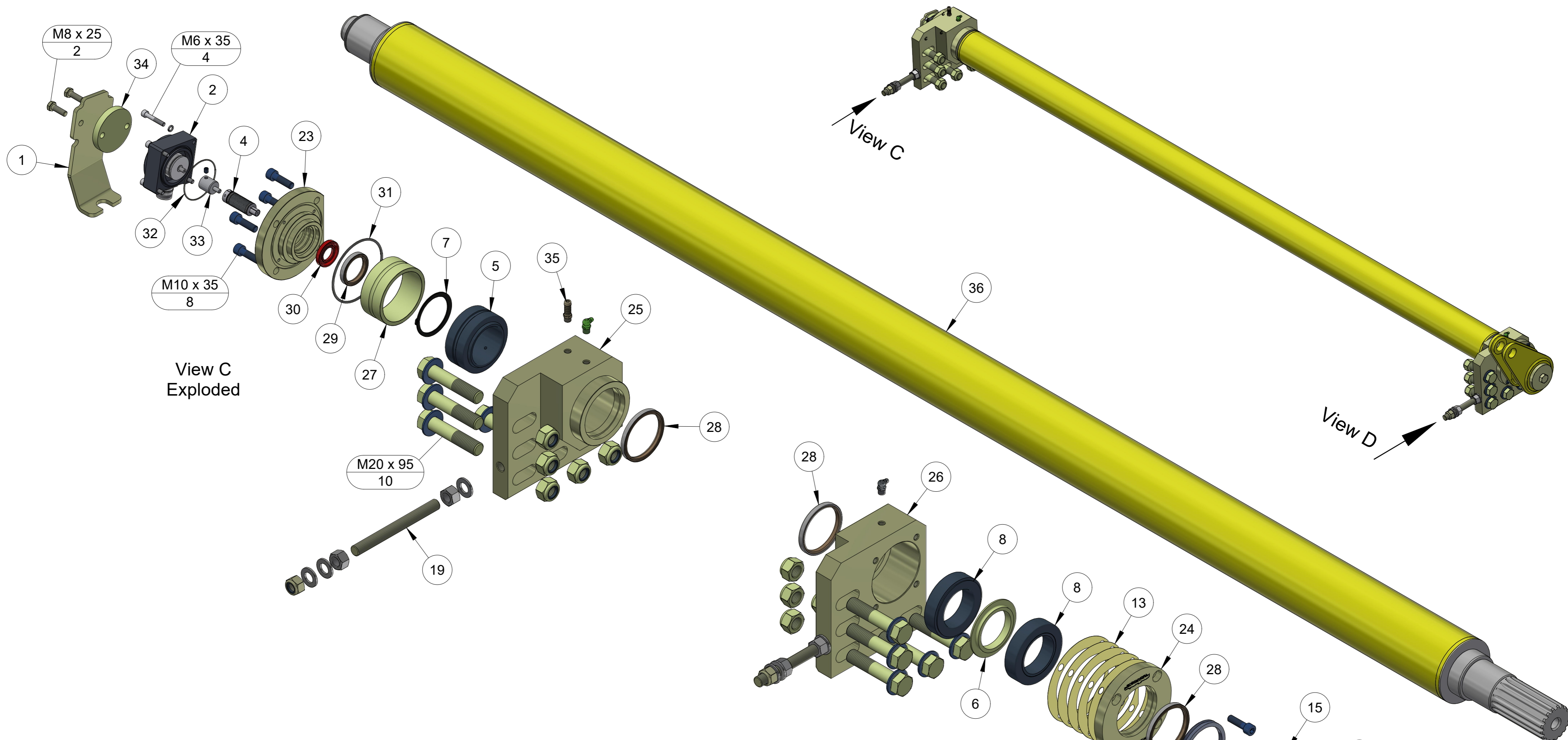




UNDERGROUND DRILL RELIABILITY

MT Parts: 0407 059 610  
1 Haesy Circuit, Roseworthy S.A. 5371  
171 Dugan Street, Kalgoorlie W.A. 6430  
[parts@mtunderground.com](mailto:parts@mtunderground.com)  
[www.mtunderground.com](http://www.mtunderground.com)

PAGE 1.4



REFER PAGE 1.4 FOR ITEMS 1 - 22

ITEM	PART NUMBER	DESCRIPTION	QTY	COMMENTS
23	MT3128 0031 18	COVER	1	
24	MT3128 0031 19	COVER	1	
25	MT3128 0031 15	BEARING HOUSING	1	
26	MT3128 0031 14	BEARING HOUSING	1	
27	MT3128 0031 16	SPACER RING	1	
28	MT0665 9100 86	WIPER	3	
29	MT0665 9100 88	WIPER	1	
30	MT0666 6000 56	LIP SEAL	1	
31	MT0663 6143 00	O-Ring	1	
32	MT0663 9045 00	O-Ring	1	
33	MT3128 0031 17	SHAFT	1	
34	MT3128 3065 451	SPACER	1	
35	MT5112 3061 39	HOSE NIPPLE	1	
36	MT3128 0031 13	ROD HANDLING SHAFT	1	1.8m drill tubes
36.1	MT3128 3102 135	ROD HANDLING SHAFT	1	1.5m drill tubes
37	MT9111 3001 RK6	GRIPPER REBUILD KIT MK7 ON	0	Inc. items 5, 7, 8, 13, 18, 21, & 28 to 31

PART NUMBER MT9111 3001 60-6	DESCRIPTION GRIPPER SHAFT 1.5m (MK7 on)
PART NUMBER MT9111 3001 61-6	DESCRIPTION GRIPPER SHAFT 1.8m (MK7 on)

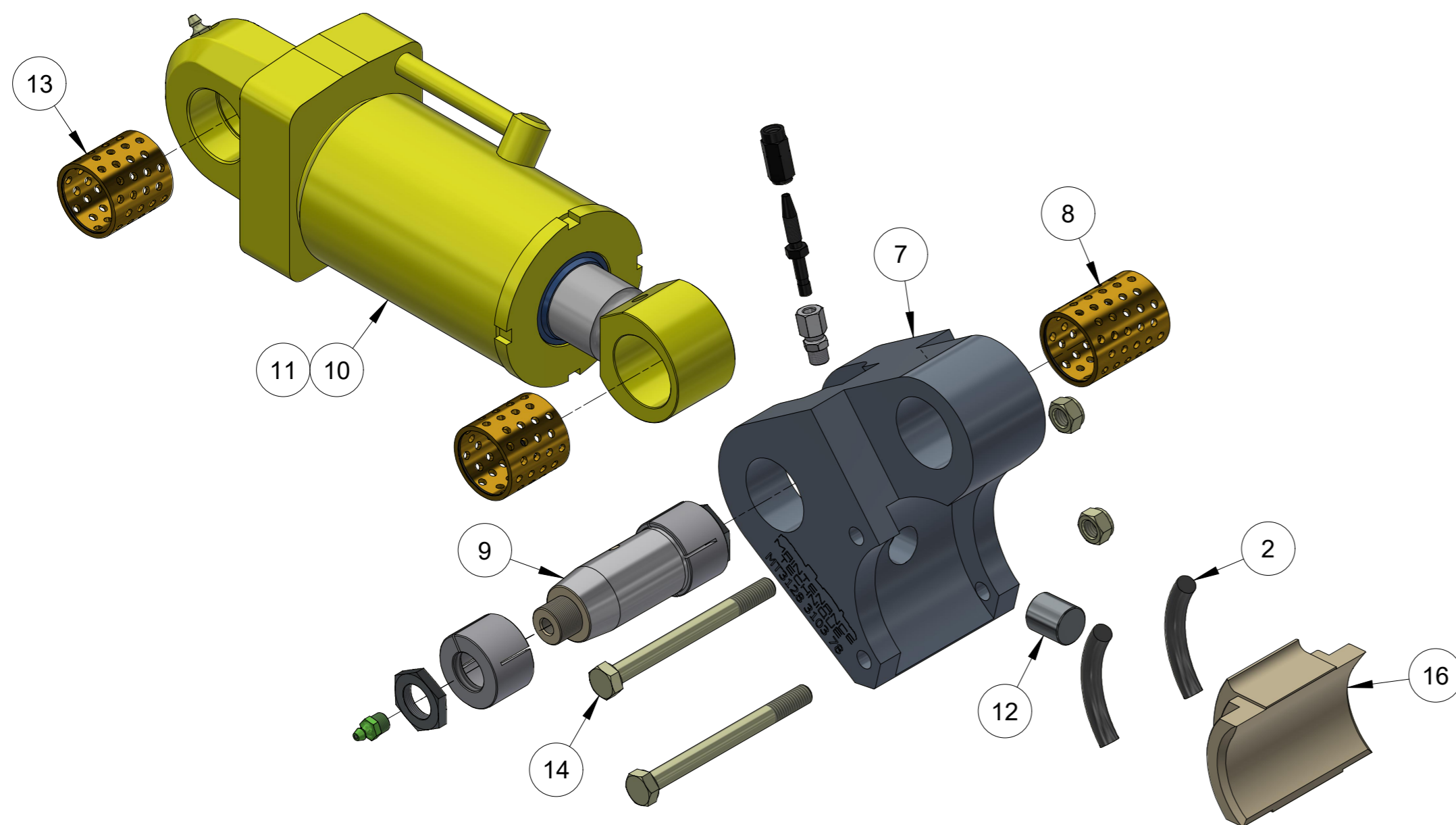
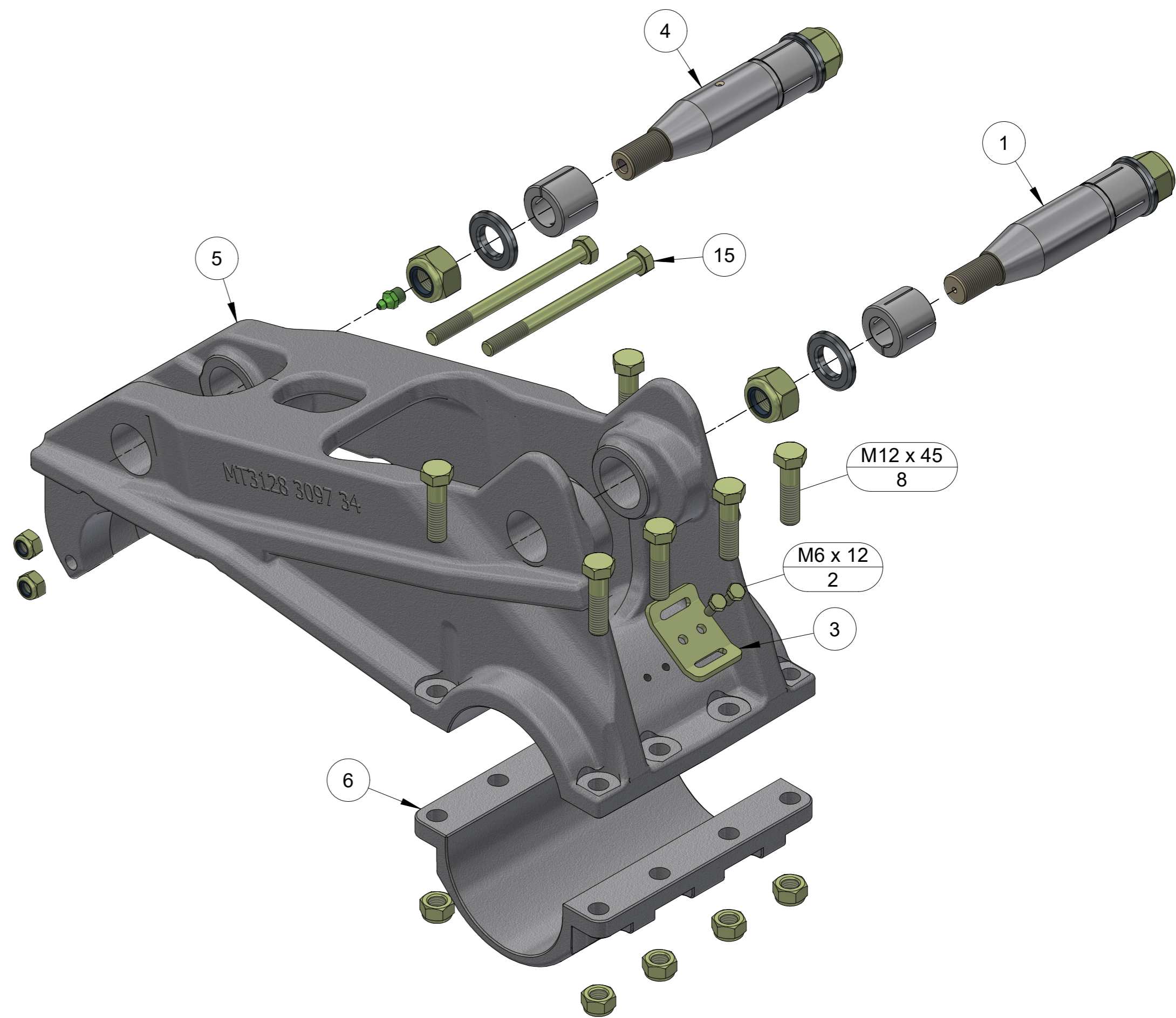




MT Parts: 0407 059 610  
 1 Haehy Circuit, Roseworthy S.A. 5371  
 171 Dugan Street, Kalgoorlie W.A. 6430  
[parts@mtunderground.com](mailto:parts@mtunderground.com)  
[www.mtunderground.com](http://www.mtunderground.com)

ITEM	PART NUMBER	DESCRIPTION	QTY	COMMENTS
1	MT3128 0031 55	EXPANDING SHAFT	1	No grease point
2	MT3128 2353 00	DAMPING ELEMENT	4	
3	MT3128 2597 50	ATTACHMENT	1	
4	MT3128 3063 83	EXPANDING SHAFT	1	
5	MT3128 3097 34	ARM	1	
6	MT3128 3097 36	CLAMP	1	
7	MT3128 3103 78	JAW	1	
8	MT3128 3104 53	BUSHING	1	
9	MT3128 3105 98	EXPANDING SHAFT	1	
10	MT3128 3106 12	HYDRAULIC CYLINDER	1	
11	MT9120 0993 09	ARM CYLINDER SEAL KIT	1	
12	MT3128 3107 02	PIN GRIPPER DOWEL	2	
13	MT3128 3106 13	BUSHING	2	
14	MT0147 1380 03	SCREW	2	M10 x 110
15	MT0147 1382 03	SCREW	2	M10 x 130

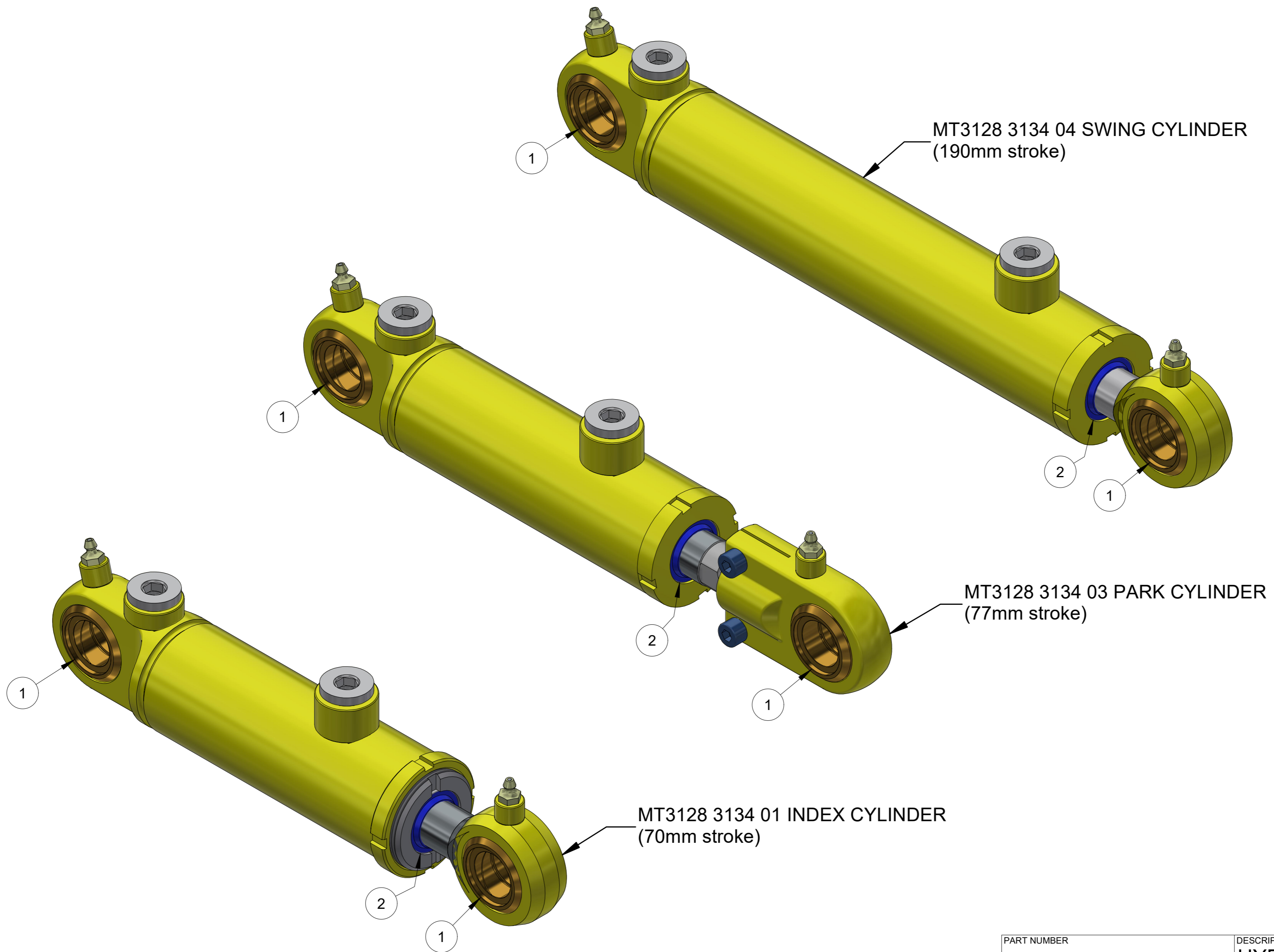
GRIPPER JAWS (sold separate)

ITEM	PART NUMBER	DESCRIPTION	QTY	COMMENTS
16	MT3128 3104 20	JAW 32	2	RHS17
16.1	MT3128 3104 21	JAW 38	2	RHS17
16.2	MT3128 3104 22	JAW 45	2	RHS17
16.3	MT3128 3104 25	JAW 64	2	RHS17
16.4	MT3128 3104 51	JAW 51	2	RHS27
16.5	MT3128 3104 26	JAW 76	2	RHS27
16.6	MT3128 3104 27	JAW 87	2	RHS27



PART NUMBER <b>MT3128 3097 33</b>	DESCRIPTION <b>ARM - RHS17 / RHS27</b>
	<p>MT Parts: 0407 059 610          1 Haesy Circuit, Roseworthy S.A. 5371          171 Dugan Street, Kalgoorlie W.A. 6430</p> <p><a href="mailto:parts@mtunderground.com">parts@mtunderground.com</a>  <a href="http://www.mtunderground.com">www.mtunderground.com</a></p>
 <p><b>MAINTENANCE TECHNIQUE</b> UNDERGROUND DRILL RELIABILITY</p>	
PAGE <b>1.6</b>	

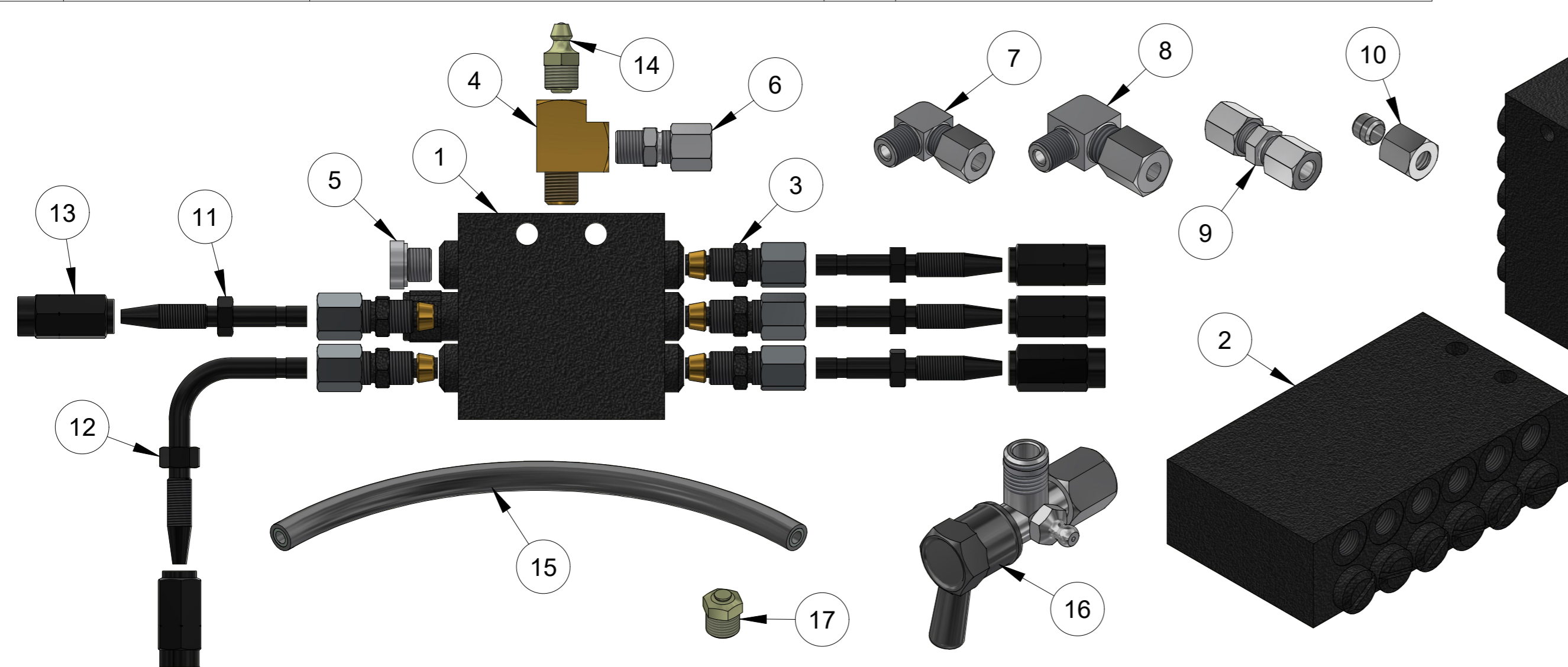
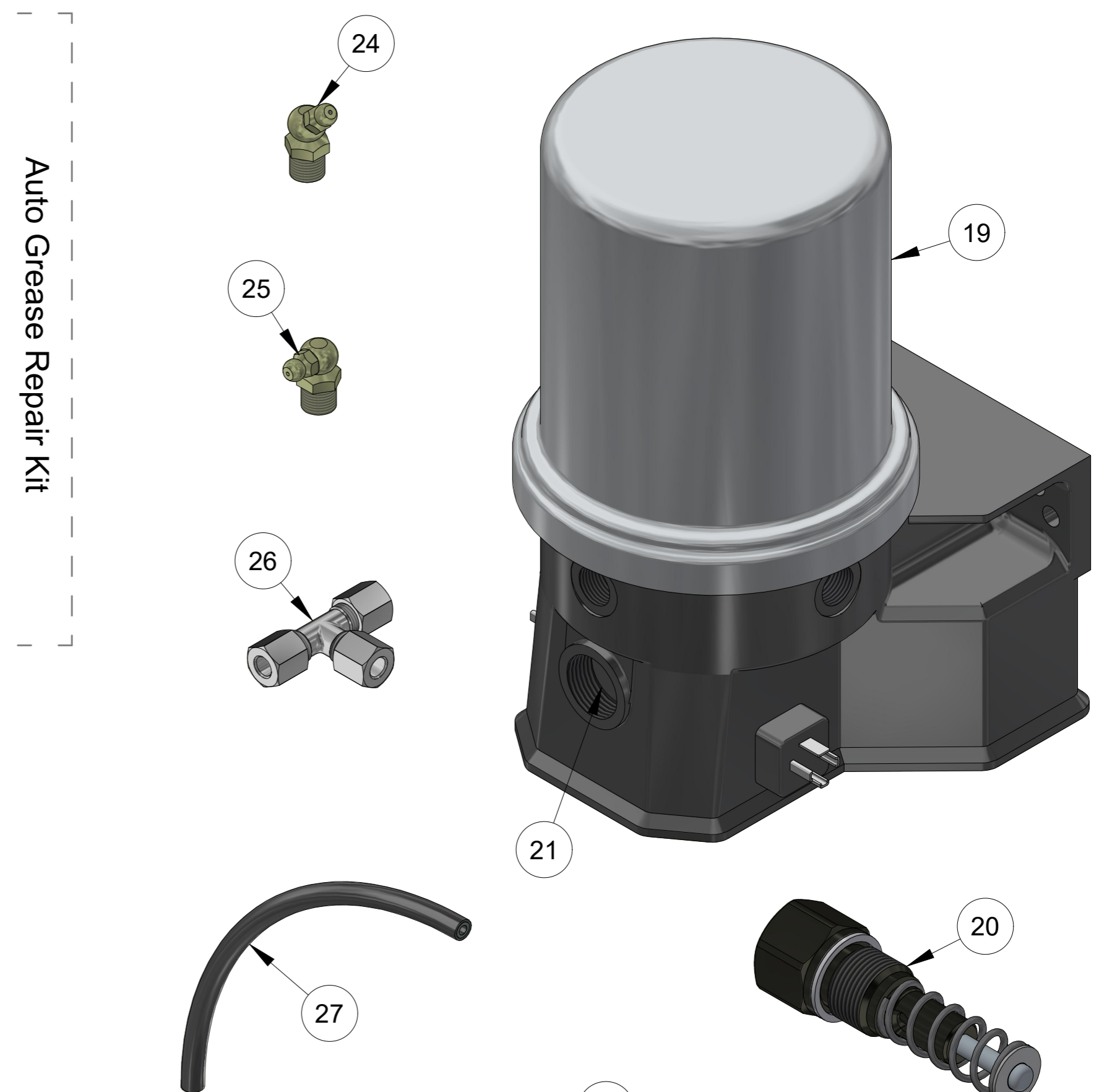
ITEM	PART NUMBER	DESCRIPTION	QTY	COMMENTS
1	MT3128 3134 05	BRONZE CYLINDER BUSH		
2	MT9120 0993 05	SMALL CYLINDER SEAL KIT		



PART NUMBER	DESCRIPTION
	<b>HYDRAULIC CYLINDERS - RHS17</b>
	<b>MAINTENANCE TECHNIQUE</b> <small>UNDERGROUND DRILL RELIABILITY</small>
	MT Parts: 0407 059 610 1 Hahey Circuit, Roseworthy S.A. 5371 171 Dugan Street, Kalgoorlie W.A. 6430 <a href="mailto:parts@mtunderground.com">parts@mtunderground.com</a> <a href="http://www.mtunderground.com">www.mtunderground.com</a>
	PAGE <b>1.7</b>

ITEM	PART NUMBER	DESCRIPTION	QTY	COMMENTS
1	MT3128 2538 17	GREASE DISTRIBUTOR BLOCK 6 PORT	1	With indicator
2	MT3128 2538 18	GREASE DISTRIBUTOR BLOCK 12 PORT	1	
3	MT3128 2539 95	CHECK VALVE	6	
4	MT3128 2538 12	ADAPTOR T	2	Grease block
5	MT3128 3005 37	PLUG	6	Grease block
6	MT0580 0002 00	COUPLING STRAIGHT	10	
7	MT0580 2202 00	COUPLING 90°	10	1/8" BSP (12mm hex nut)
8	MT0580 2014 07	COUPLING 90°	6	1/8" BSP (14mm hex nut)
9	MT3128 2538 08J	HOSE JOINER	10	
10	MT3128 2539 9A	NUT & OLIVE	6	
11	MT3128 2538 09	HOSE ADAPTOR STRAIGHT	10	
12	MT3128 2538 90	HOSE ADAPTER 90°	10	
13	MT3128 2538 08	THREADED SLEEVE	20	
14	MT0544 2162 00	GREASE NIPPLE	10	1/8" BSP
15	MT3128 2538 10	HIGH POWER PIPE	10	Order by metre
16	MT3128 2538 02	SAFETY VALVE	1	Pump outlet
17	MT3128 3151 485	RELIEF VALVE	2	Grease, 5 Bar
18	MT9106 1900 012	STORAGE BOX	1	Not shown
19	MT3128 2538 36	GREASE PUMP		Not in repair kit, supplied with 1 pump element
20	MT3128 2538 01	PUMP ELEMENT		Not in repair kit
21	MT3128 3049 45	CIRCUIT BOARD		Not in repair kit
22	MT3128 2538 03	GREASE DISTRIBUTOR BLOCK 8 PORT		Not in repair kit, not shown
23	MT3128 2538 19	GREASE DISTRIBUTOR BLOCK 12 PORT		Not in repair kit, with indicator, not shown
24	MT0544 2362 00	GREASE NIPPLE 45°		Not in repair kit, 1/8" BSP
25	MT0544 2562 00	GREASE NIPPLE 90°		Not in repair kit, 1/8" BSP
26	MT0580 4602 00	TEE JOINER		Not in repair kit
27	MT5112 2164 00	PVC HIGH POWER PIPE		Not in repair kit, order by metre
28	MT3128 2538 73	HOSE STUD - 7/16"		Not in repair kit
29	MT3128 2538 77	HOSE STUD 90° SHORT - 7/16"		Not in repair kit
30	MT3128 2538 79	THREADED SLEEVE - 7/16"		Not in repair kit
31	MT3128 2538 87	GREASE DISTRIBUTOR BLOCK 10 PORT		Not in repair kit

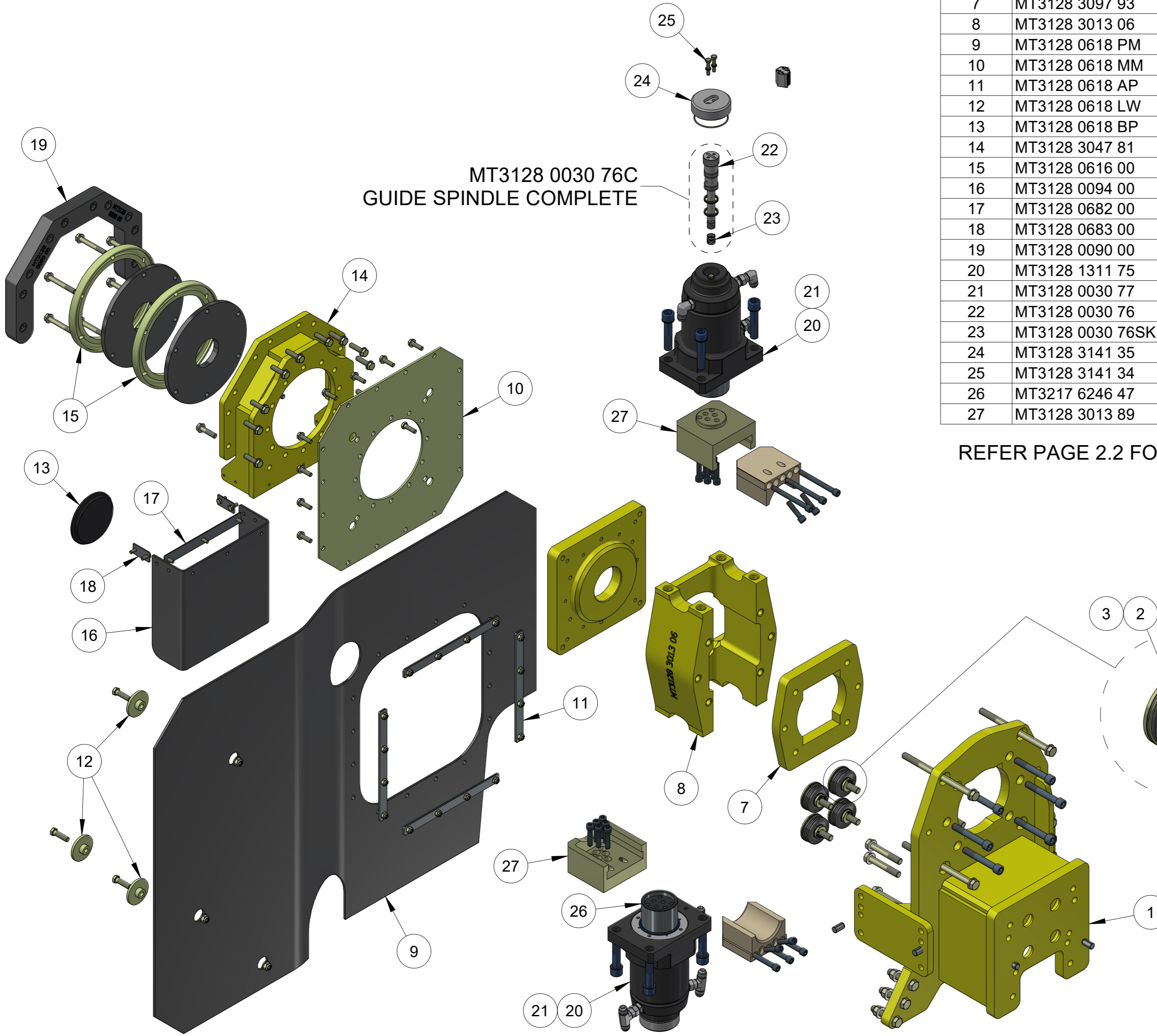
Auto Grease Repair Kit



PART NUMBER <b>MT3128 2538 189</b>	DESCRIPTION <b>AUTO GREASE REPAIR KIT</b>
	
MT Parts: 0407 059 610 1 Hahey Circuit, Roseworthy S.A. 5371 171 Dugan Street, Kalgoorlie W.A. 6430 <a href="mailto:parts@mtunderground.com">parts@mtunderground.com</a> <a href="http://www.mtunderground.com">www.mtunderground.com</a>	
PAGE	<b>1.8</b>

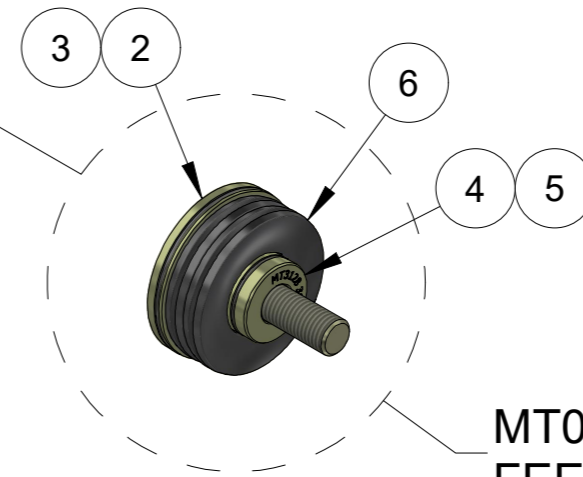


MT3128 0030 76C  
GUIDE SPINDLE COMPLETE



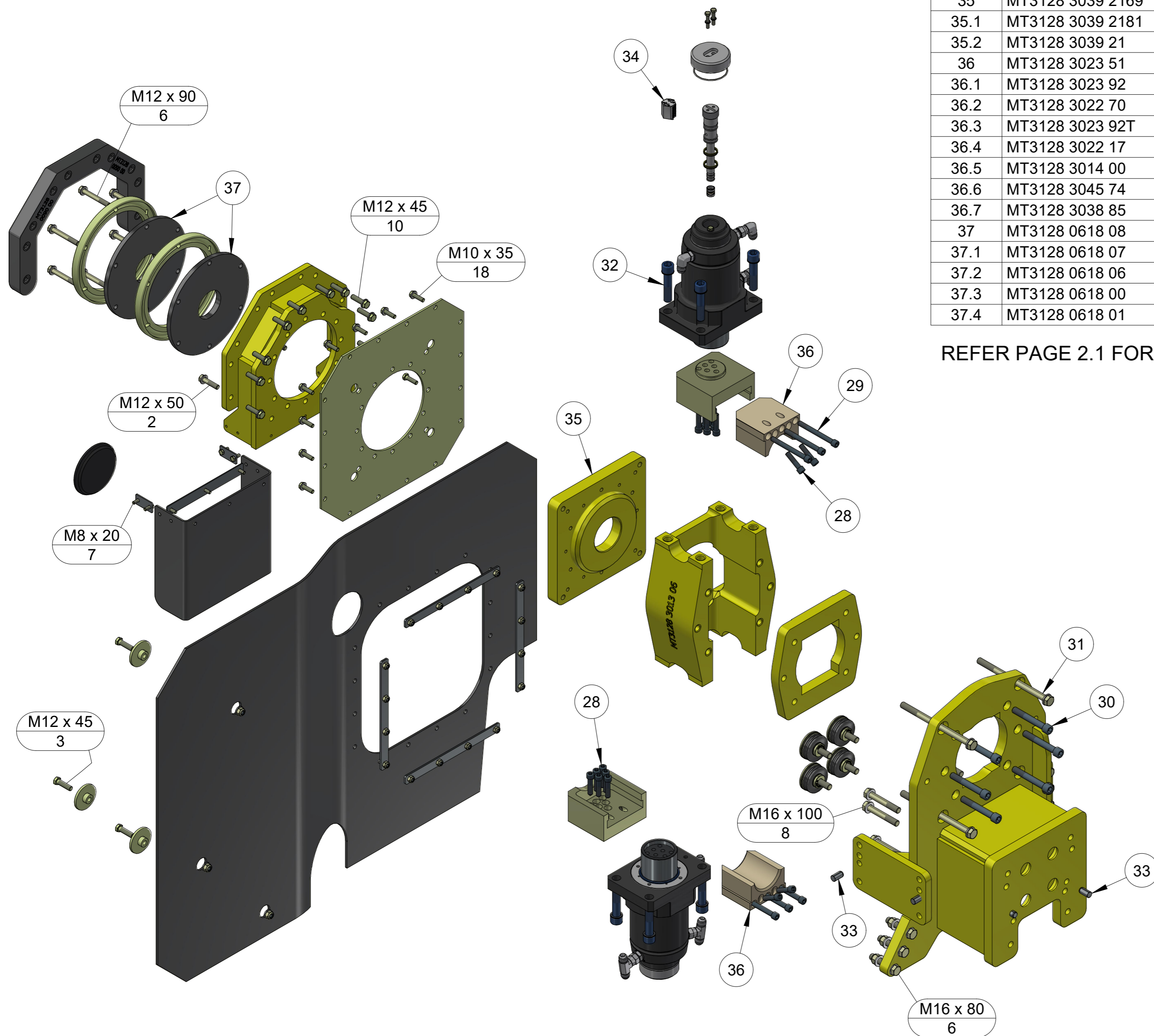
ITEM	PART NUMBER	DESCRIPTION	QTY	COMMENTS
1	MT3128 3105 16	FRONT PLATE	1	
2	MT3128 3097 90	WASHER	4	
3	MT0663 2102 09	O-RING	4	
4	MT3128 3097 91	SLEEVE	4	
5	MT0663 6131 00	O-RING	4	
6	MT0384 3546 00	DISC SPRING	16	
7	MT3128 3097 93	INTERM PLATE	1	
8	MT3128 3013 06	DRILL STEEL SUPPORT	1	
9	MT3128 0618 PM	PROTECTION MAT	1	
10	MT3128 0618 MM	MAT MOUNT	1	
11	MT3128 0618 AP	ATTACHMENT PLATE	4	
12	MT3128 0618 LW	MAT WASHER	3	
13	MT3128 0618 BP	PLUG	1	
14	MT3128 3047 81	CUTTING GUIDE	1	
15	MT3128 0616 00	CUTTING RING	2	
16	MT3128 0094 00	RUBBER CLOTH	1	
17	MT3128 0682 00	SHIM	1	
18	MT3128 0683 00	SHIM	2	
19	MT3128 0090 00	COLLARING PART	1	
20	MT3128 1311 75	HYDRAULIC CYLINDER	2	
21	MT3128 0030 77	CYLINDER SEAL KIT	1	Includes spindle seals
22	MT3128 0030 76	GUIDE SPINDLE	2	
23	MT3128 0030 76SK	GUIDE SPINDLE SEAL KIT	1	
24	MT3128 3141 35	COVER	2	
25	MT3128 3141 34	SCREW	4	M8x40
26	MT3217 6246 47	PISTON ROD	2	
27	MT3128 3013 89	SIMBA JAW HOLDER	2	

REFER PAGE 2.2 FOR ITEMS NOT LISTED ABOVE



MT0384 3546 00C  
FEED CYLINDER RETAINER KIT

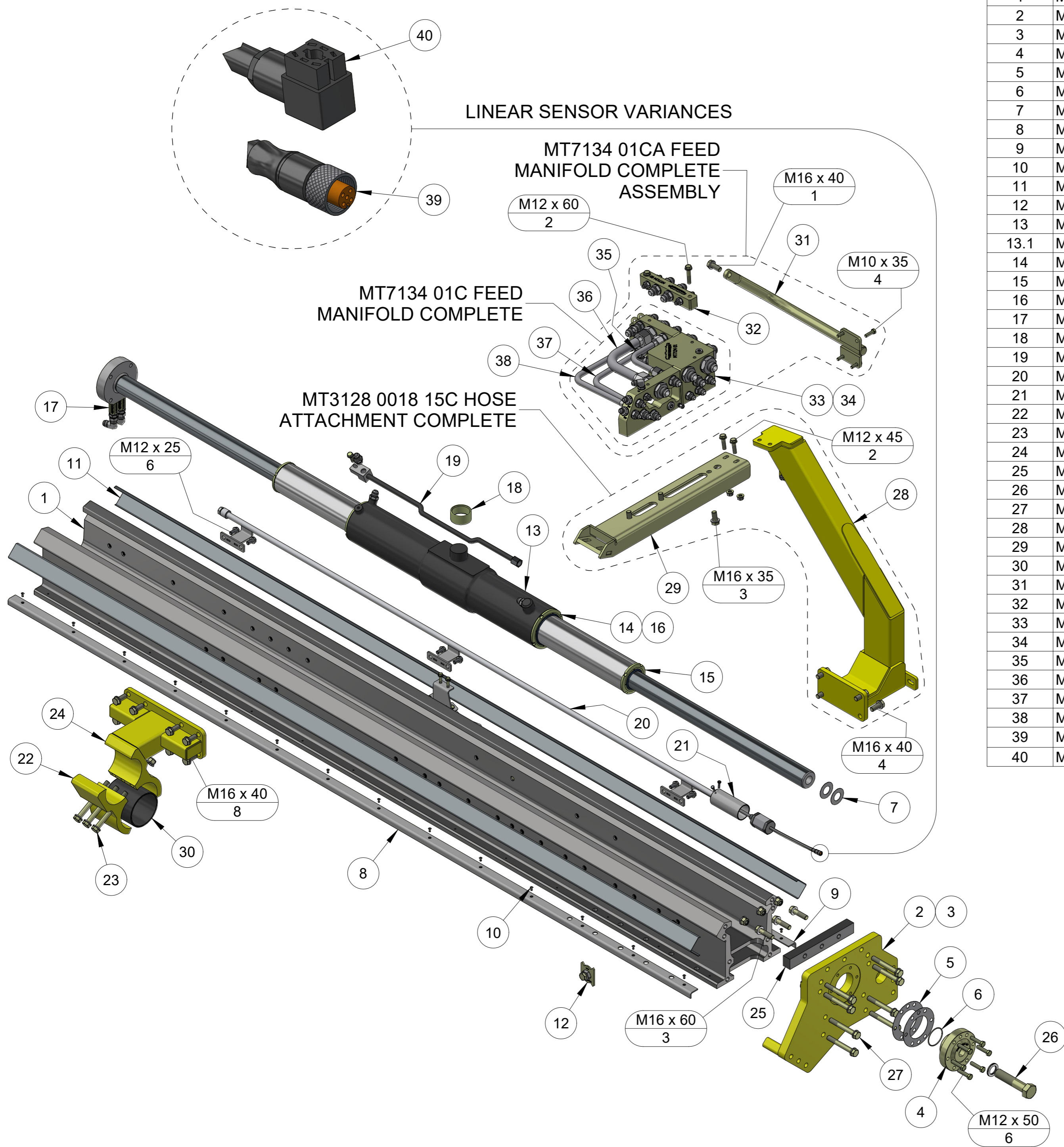
PART NUMBER <b>MT3128 0020 26-2</b>	DESCRIPTION <b>FEED FRONT</b>
	
MT Parts: 0407 059 610 1 Haehy Circuit, Roseworthy S.A. 5371 171 Dugan Street, Kalgoorlie W.A. 6430 <a href="mailto:parts@mtunderground.com">parts@mtunderground.com</a> <small>PAGE</small> <a href="http://www.mtunderground.com">www.mtunderground.com</a> <b>2.1</b>	



ITEM	PART NUMBER	DESCRIPTION	QTY	COMMENTS
28	MT0211 1963 02	SCREW M12x50 SHCS	16	
29	MT0211 1963 44	SCREW M12x120 SHCS	6	
30	MT0211 1963 42	SCREW M16x110 SHCS	6	
31	MT0147 1501 03	SCREW M16x240 HexHd	4	
32	MT0211 1963 35	SCREW M20x90 SHCS	8	
33	MT3128 3022 32	PIN	4	
34	MT3128 0672 02	BSH ADJUSTING TOOL	1	
35	MT3128 3039 2169	INTERM. PLATE - GUIDE 64mm	1	T45
35.1	MT3128 3039 2181	INTERM. PLATE - GUIDE 76mm	1	T58
35.2	MT3128 3039 21	INTERM. PLATE - GUIDE 87mm	1	T68
36	MT3128 3023 51	CHECK 32mm SPEED ROD	2	R32
36.1	MT3128 3023 92	CHECK 38mm SPEED ROD	2	T38
36.2	MT3128 3022 70	CHECK 45mm SPEED ROD	2	T45
36.3	MT3128 3023 92T	CHECK T38 TUBE JAW	2	T38
36.4	MT3128 3022 17	CHECK 64mm TUBE JAW	2	ST45
36.5	MT3128 3014 00	CHECK T51 TUBE JAW	2	T51
36.6	MT3128 3045 74	CHECK 76mm TUBE JAW	2	T58
36.7	MT3128 3038 85	CHECK 87mm TUBE JAW	2	T68
37	MT3128 0618 08	TUBE CUTTING GASKET 32-36mm	2	T32
37.1	MT3128 0618 07	TUBE CUTTING GASKET 38mm	2	T38
37.2	MT3128 0618 06	TUBE CUTTING GASKET 45mm	2	T45
37.3	MT3128 0618 00	TUBE CUTTING GASKET 64-76mm	2	ST58
37.4	MT3128 0618 01	TUBE CUTTING GASKET 87mm	2	ST68

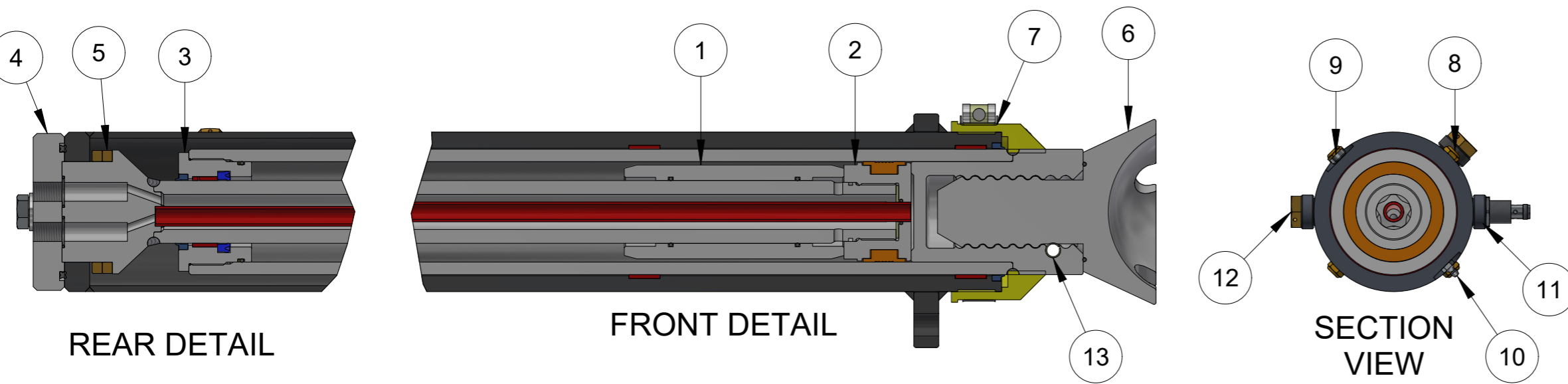
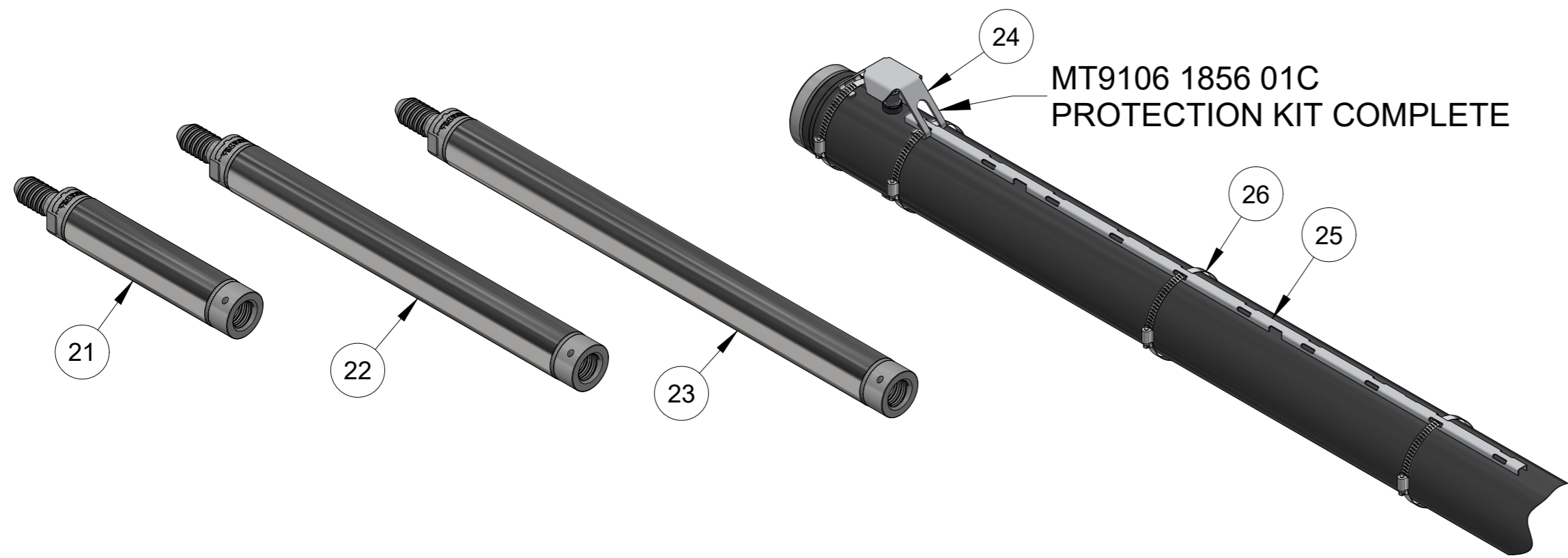
REFER PAGE 2.1 FOR ITEMS NOT LISTED ABOVE

PART NUMBER <b>MT3128 0020 26-3</b>	DESCRIPTION <b>FEED FRONT</b>
	<p>MT Parts: 0407 059 610          1 Haehy Circuit, Roseworthy S.A. 5371          171 Dugan Street, Kalgoorlie W.A. 6430</p> <p><a href="mailto:parts@mtunderground.com">parts@mtunderground.com</a> PAGE  <a href="http://www.mtunderground.com">www.mtunderground.com</a> <b>2.2</b></p>
 <p>UNDERGROUND DRILL RELIABILITY</p>	

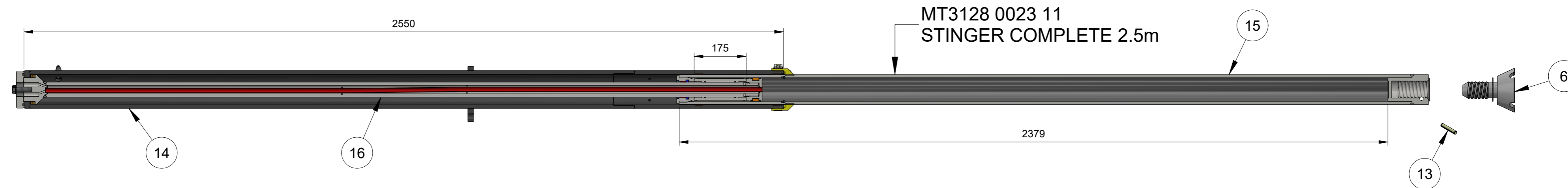
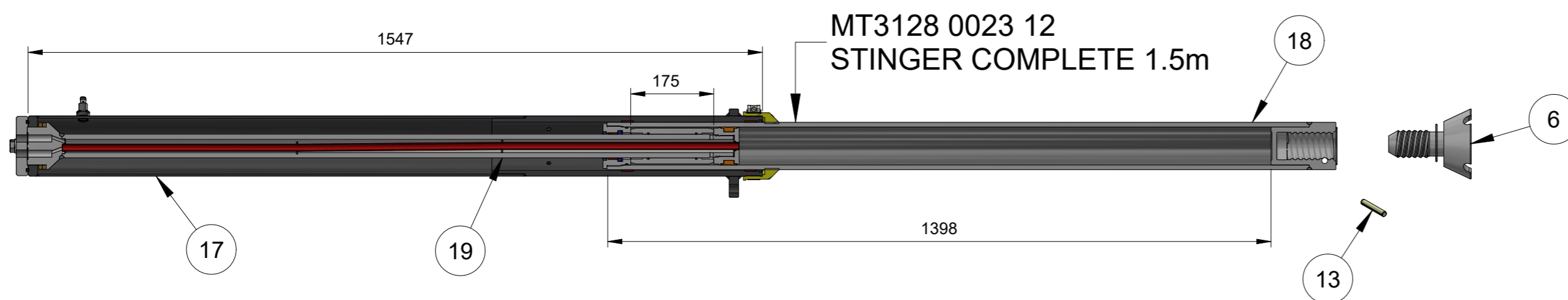


ITEM	PART NUMBER	DESCRIPTION	QTY	COMMENTS
1	MT3128 0030 62	FEED BEAM	1	Includes items 8 - 12
2	MT3128 3097 88	END PLATE COMPLETE	1	Includes items 3 - 7
3	MT3128 3097 88P	END PLATE	1	
4	MT3128 3097 88B	END PLATE ATTACHMENT	1	
5	MT3128 3097 88BS	END PLATE ATTACHMENT SHIM	2	
6	MT0663 2103 67	O-RING	1	
7	MT9236 2002 69	SHIM	2	
8	MT3128 0034 05	SLIDE BAR LEFT	1	
9	MT3128 0034 06	SLIDE BAR RIGHT	1	
10	MT0129 3270 44	BLIND RIVET S/S	28	
11	MT3128 0034 01	CLIP-ON 200 SERIES	2	
12	MT3128 0034 013	CLIP-ON LOCKING ASSEMBLY	2	
13	MT9121 7221 01SX	FEED CYLINDER 1.8m	1	Service ex.
13.1	MT3128 3019 97SX	FEED CYLINDER 1.5m	0	Service ex.
14	MT9122 4332 50	COVER	2	
15	MT9126 2770 50	COVER	2	
16	MT9121 6526 50	FEED CYLINDER SEAL KIT	1	Complete
17	MT3128 0785 74	EXTENSION	2	
18	MT9127 2523 00	PLAIN BEARING	1	
19	MT9126 2714 00	PIPE	1	
20	MT3128 3097 99	SENSOR BRACKET	1	
21	MT3128 0030 19	PROTECT COVER	1	
22	MT3128 3098 12	CLAMP	1	
23	MT0147 1496 03	SCREW M16 x 160	3	
24	MT3128 3098 13	ATTACHMENT	1	
25	MT3128 0037 00	DAMPING	1	
26	MT0147 1959 28	SCREW M30x150 HexHd	1	
27	MT0147 1492 03	SCREW M16x120 HexHd	8	
28	MT3128 0018 152	HOSE ATTACHMENT LOWER	1	MT only
29	MT3128 0018 153	HOSE ATTACHMENT UPPER	1	MT only
30	MT3128 0018 74	PIPE SPACER	1	
31	MT7134 01B	FEED MANIFOLD BRACKET	1	
32	MT7134 02	FEED MANIFOLD BULKHEAD	1	
33	MT7134 01	FEED MANIFOLD	1	
34	MT7134 01FK	FITTINGS KIT	1	
35	MT7134 PT	HYDRAULIC PIPE	1	
36	MT7134 RL	HYDRAULIC PIPE	1	
37	MT7134 FF	HYDRAULIC PIPE	1	
38	MT7134 FR	HYDRAULIC PIPE	1	
39	MT9106 2192 17	LINEAR SENSOR RCS4	1	
40	MT3128 3097 27	LINEAR SENSOR RCS3	1	2.4m cable

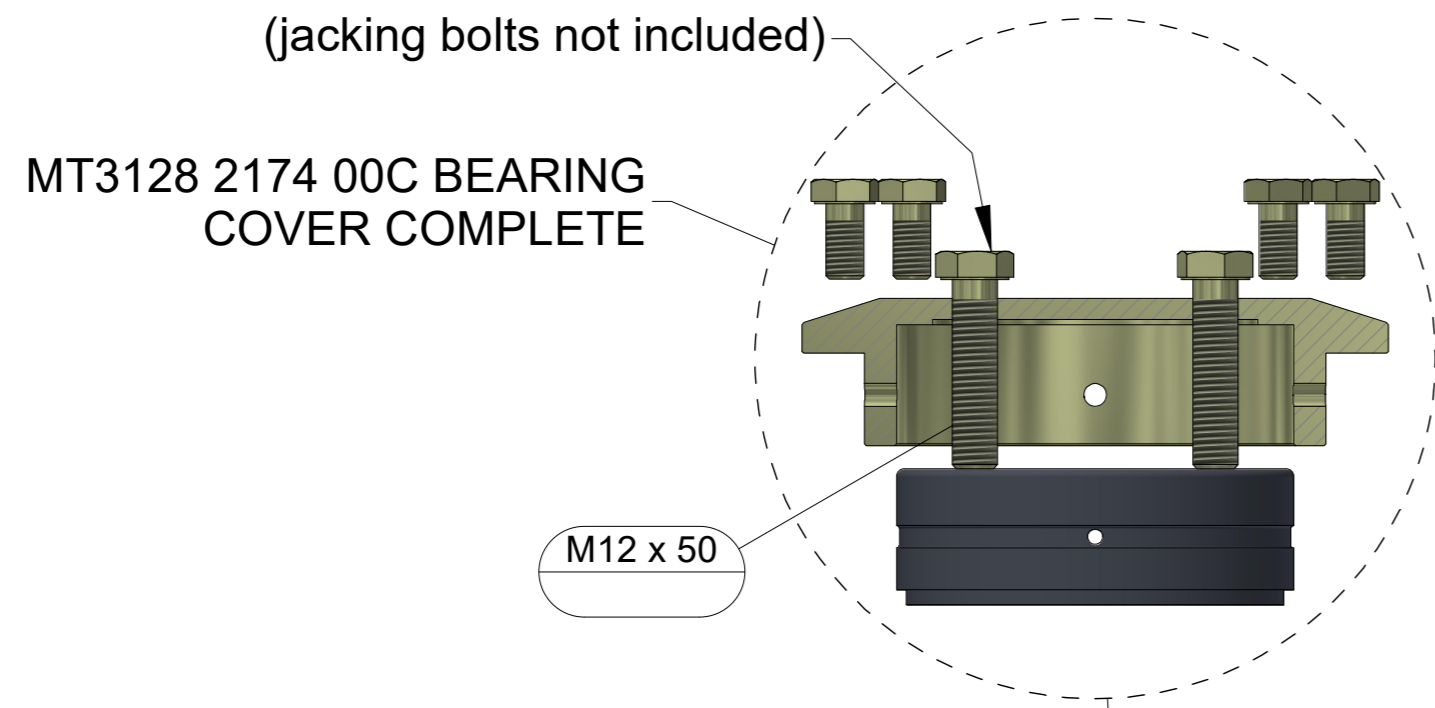
PART NUMBER <b>MT3128 0020 26-3</b>	DESCRIPTION <b>FEED REAR</b>
MT Parts: 0407 059 610 1 Haehy Circuit, Roseworthy S.A. 5371 171 Dugan Street, Kalgoorlie W.A. 6430 <a href="mailto:parts@mtunderground.com">parts@mtunderground.com</a> <a href="http://www.mtunderground.com">www.mtunderground.com</a>	
PAGE <b>2.3</b>	



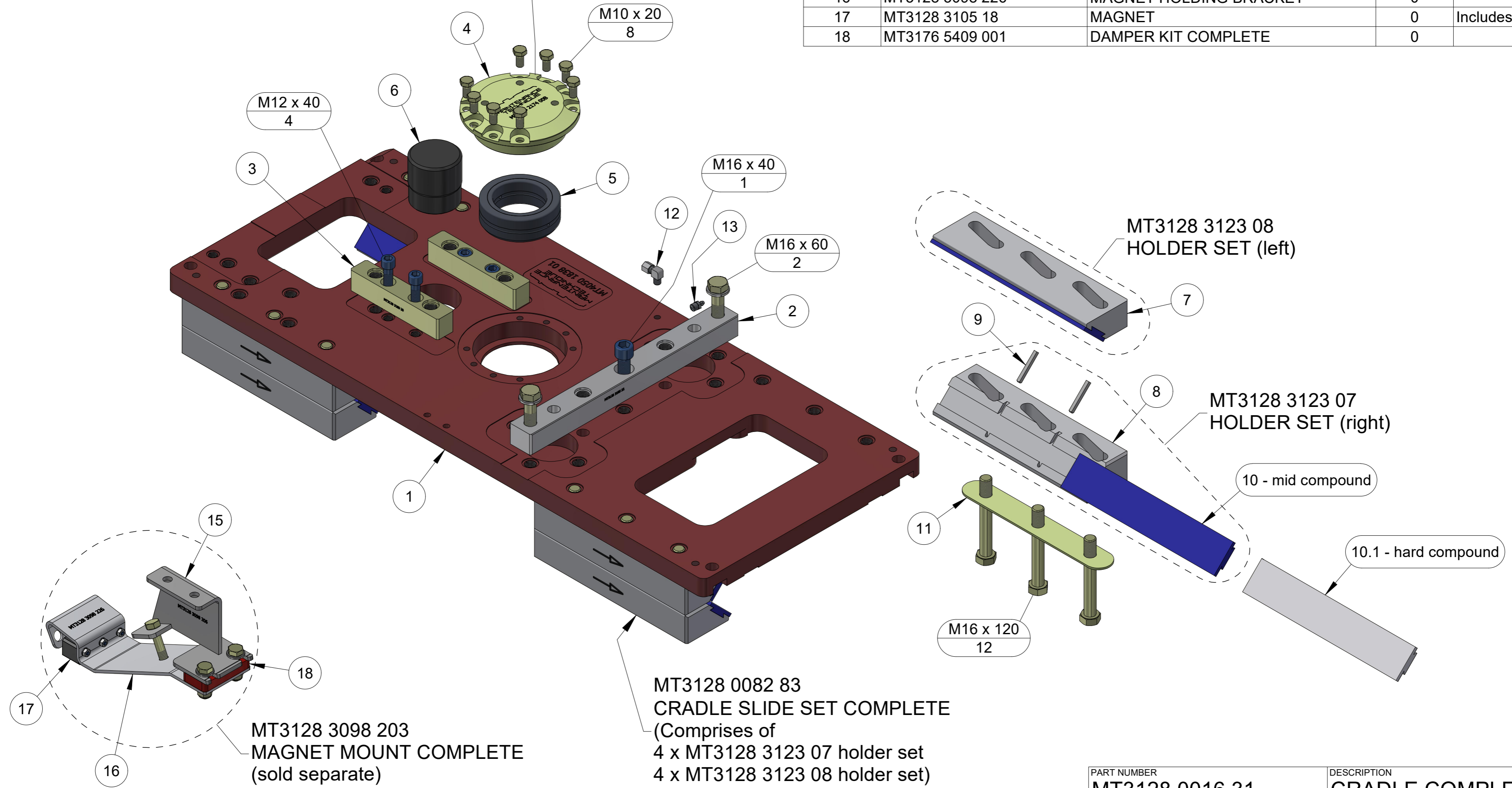
ITEM	PART NUMBER	DESCRIPTION	QTY	COMMENTS
1	MT9128 4285 175	SPACER	1	
2	MT3128 2592 16	PISTON	1	
3	MT9126 3960 00	COVER	1	
4	MT9236 2017 61	BLOCK	1	
5	MT9236 2017 62	WASHER	2	
6	MT9236 2027 42	STINGER FOOT	1	MT only, incl. O-Ring
7	MT3128 2191 72S	SEAL + CLAMP	1	
8	MT9236 2017 63	FILTER PLUG	4	
9	MT3128 3005 37	PLUG	1	
10	MT0544 2162 00	GREASE NIPPLE	1	
11	MT9106 1856 01	INDUCTIVE SENSOR	1	
12	MT9106 1856 01P	BREATHER PLUG	2	MT only
13	MT9236 2027 421	PIN	1	
14	MT3128 2191 704	OUTER TUBE 2500	1	
15	MT3128 2191 743	MANTLE 2500	1	
16	MT3128 2191 723	PISTON ROD 2500	1	MT only
17	MT3128 0023 125	OUTER TUBE 1500	1	
18	MT3128 2191 741	MANTLE 1500	1	MT only
19	MT3128 2191 72	PISTON ROD 1500	1	Includes item 1
20	MT3128 2191 71	STINGER SEAL KIT	1	Item 7 not included
21	MT9111 2826 101	STINGER EXT.	1	ST58 - 500mm
22	MT9111 2826 121	STINGER EXT.	1	ST58 - 1000mm
23	MT9111 2826 131	STINGER EXT.	1	ST58 - 1250mm
24	MT9106 1856 011	SENSOR PROTECTION	1	
25	MT9106 1856 012	CABLE PROTECTION	1	
26	MT9106 1856 013	PROTECTION CLAMP	4	



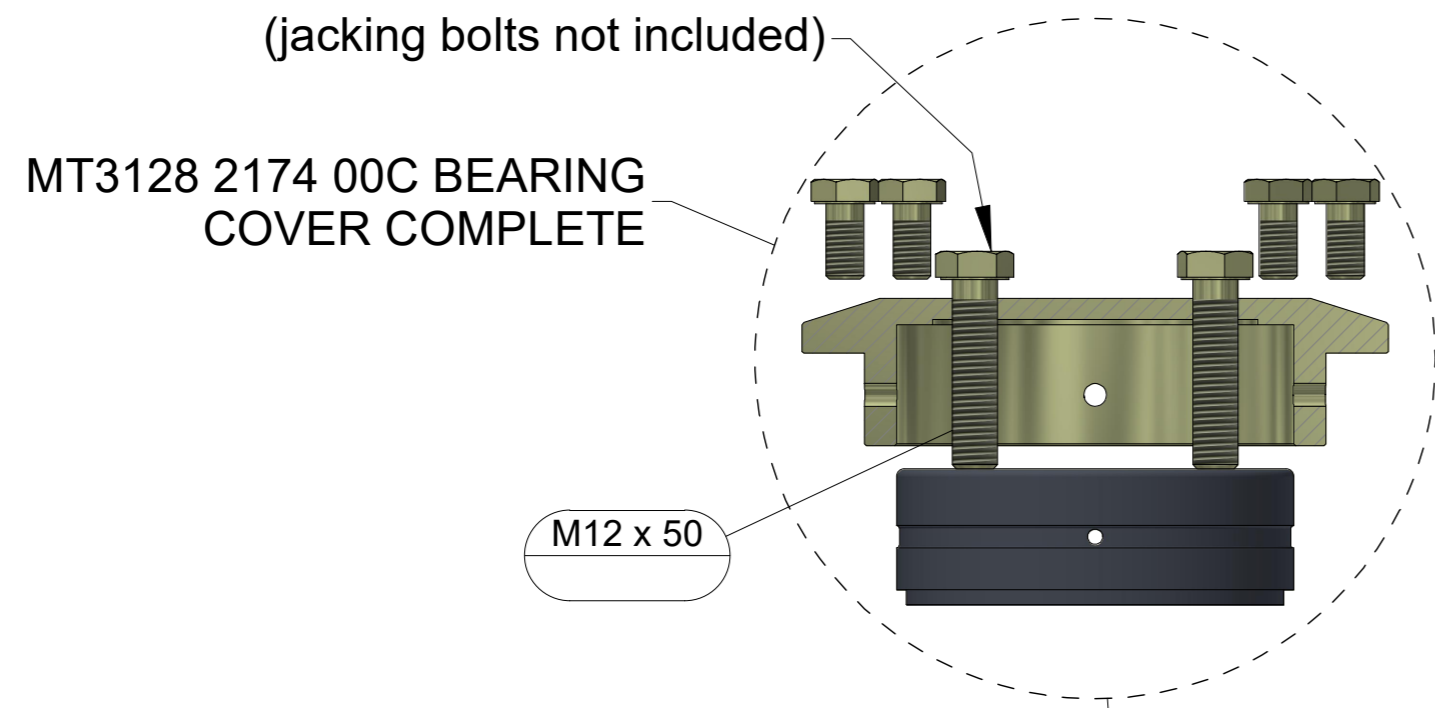
PART NUMBER <b>MT3128 0023 109</b>	DESCRIPTION <b>STINGERS - RHS17</b>
	
MT Parts: 0407 059 610 1 Haehy Circuit, Roseworthy S.A. 5371 171 Dugan Street, Kalgoorlie W.A. 6430 <a href="mailto:parts@mtunderground.com">parts@mtunderground.com</a> <a href="http://www.mtunderground.com">www.mtunderground.com</a>	
UNDERGROUND DRILL RELIABILITY	
PAGE <b>2.4</b>	



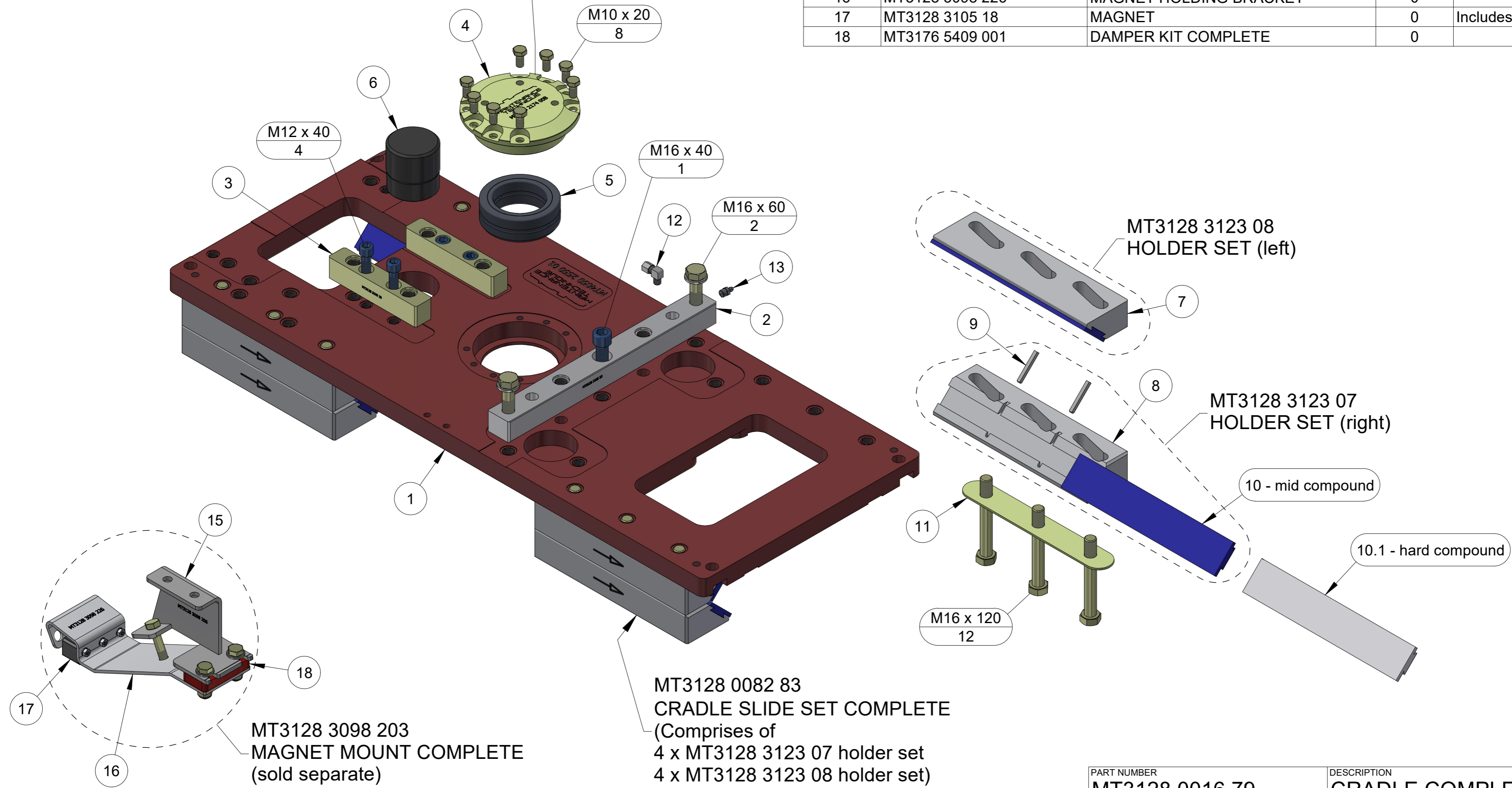
ITEM	PART NUMBER	DESCRIPTION	QTY	COMMENTS
1	MT4050 1838 01	UNIVERSAL CRADLE	1	
2	MT3128 3105 22	SPACER	1	
3	MT3128 3105 20	SPACER	2	
4	MT3128 2174 00B	BEARING COVER	1	MT only
5	MT3128 0314 00	BEARING	1	
6	MT3128 3098 07	DRIVER	1	
7	MT3128 0083 00	SLIDE HOLDER LH	4	
8	MT3128 0082 00	SLIDE HOLDER RH	4	
9	MT3128 0646 00	SLIDE KEY	16	
10	MT3128 3043 55	NYLON SLIDE - BLUE	8	Upholes - mid
10.1	MT3128 3043 55H	NYLON SLIDE - WHITE	0	Downholes - hard
11	MT0333 0500 03	WASHER PLATE	4	
12	MT0580 2202 00	COUPLING 90°	1	
13	MT0544 2162 00	GREASE NIPPLE	1	
14	MT3128 0016 31BK	BOLT KIT	0	
15	MT3128 3098 206	MAGNET MOUNT	0	
16	MT3128 3098 226	MAGNET HOLDING BRACKET	0	
17	MT3128 3105 18	MAGNET	0	Includes bolts & nuts
18	MT3176 5409 001	DAMPER KIT COMPLETE	0	



PART NUMBER <b>MT3128 0016 31</b>	DESCRIPTION <b>CRADLE COMPLETE - 1838</b>
MT Parts: 0407 059 610 1 Haehy Circuit, Roseworthy S.A. 5371 171 Dugan Street, Kalgoorlie W.A. 6430 <a href="mailto:parts@mtunderground.com">parts@mtunderground.com</a> <a href="http://www.mtunderground.com">www.mtunderground.com</a>	
UNDERGROUND DRILL RELIABILITY	
PAGE <b>2.5</b>	

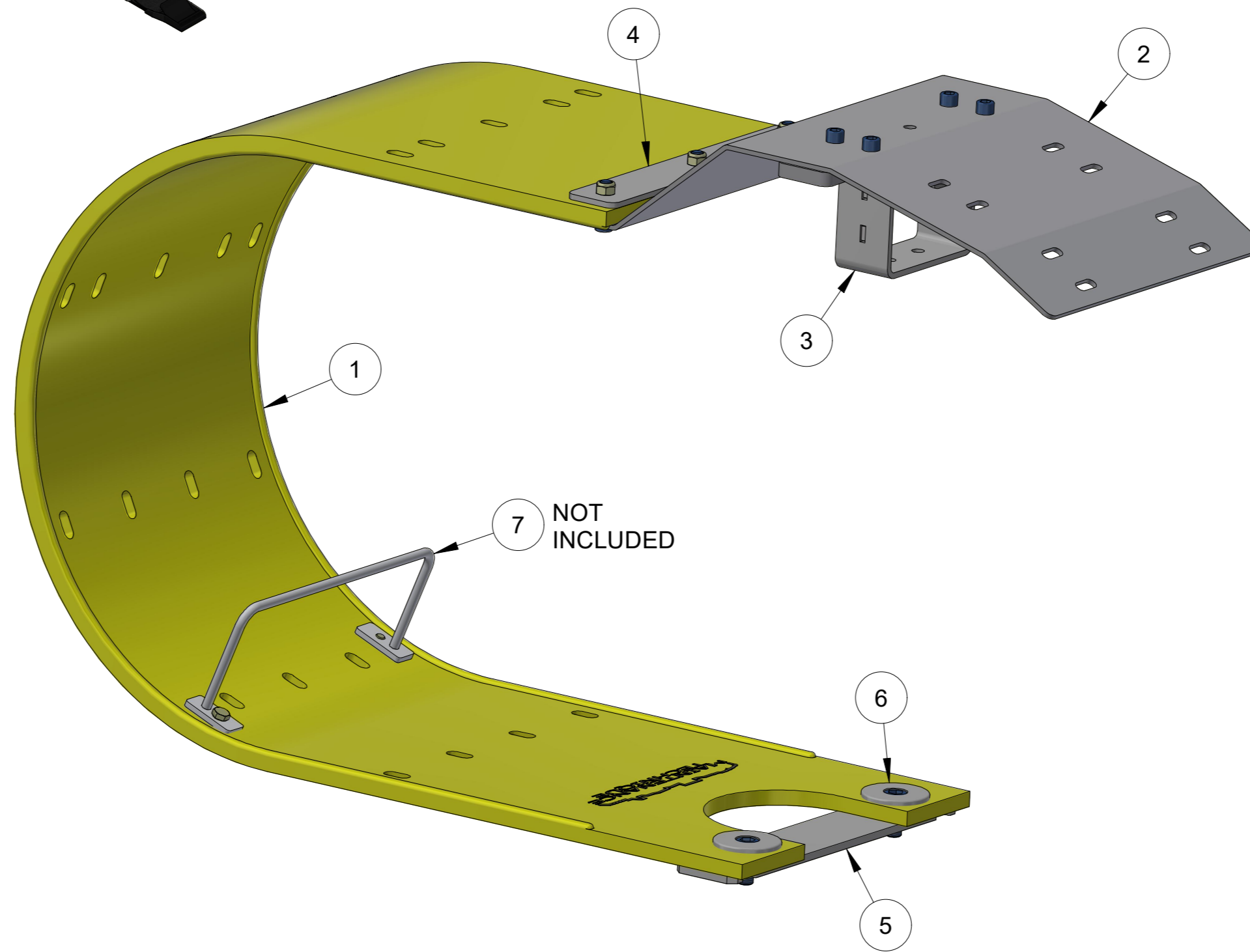
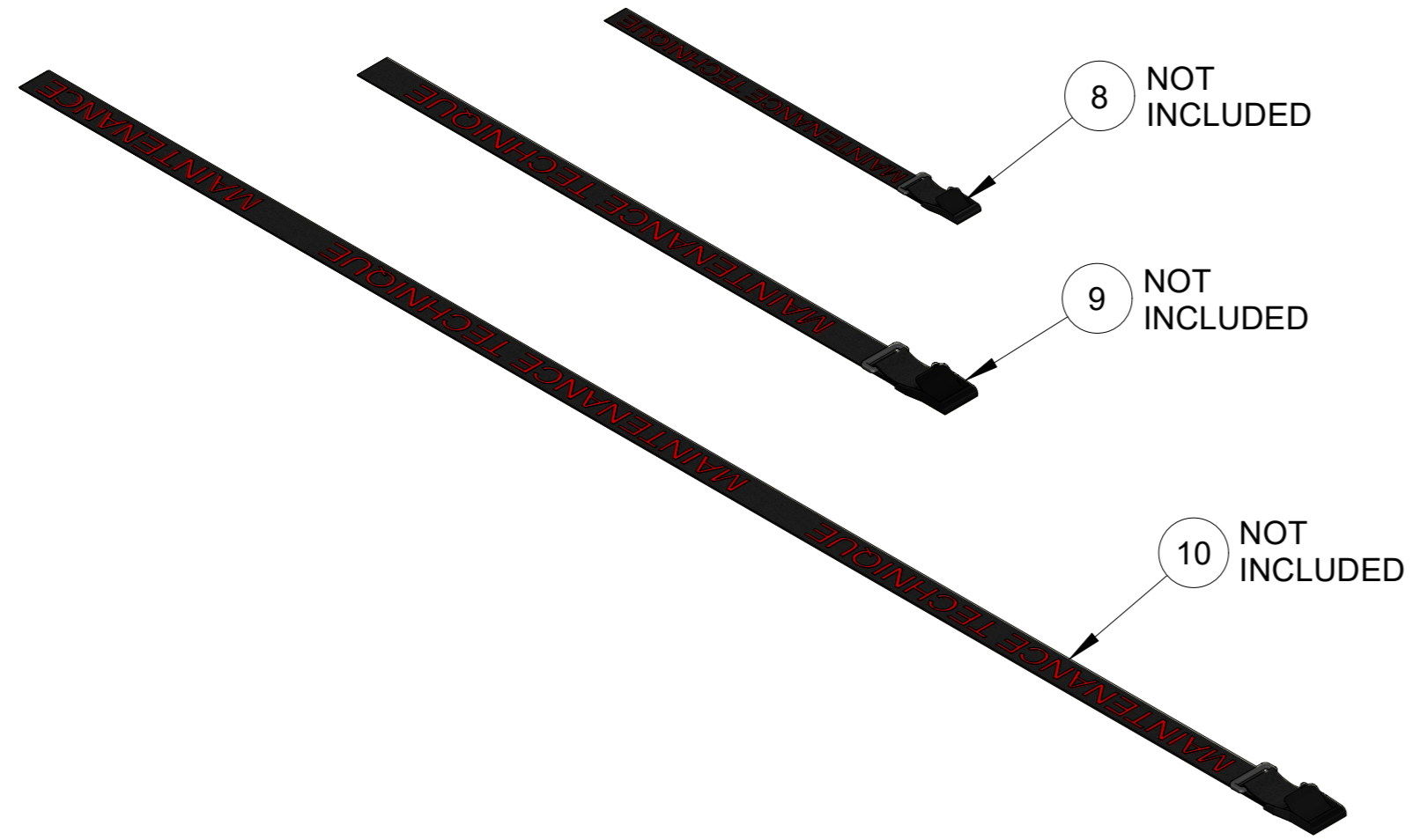




ITEM	PART NUMBER	DESCRIPTION	QTY	COMMENTS
1	MT4050 2550 01	UNIVERSAL CRADLE	1	
2	MT3128 3105 22	SPACER	1	
3	MT3128 3105 20	SPACER	2	
4	MT3128 2174 00B	BEARING COVER	1	MT only
5	MT3128 0314 00	BEARING	1	
6	MT3128 3098 07	DRIVER	1	
7	MT3128 0083 00	SLIDE HOLDER LH	4	
8	MT3128 0082 00	SLIDE HOLDER RH	4	
9	MT3128 0646 00	SLIDE KEY	16	
10	MT3128 3043 55	NYLON SLIDE - BLUE	8	Upholes - mid
10.1	MT3128 3043 55H	NYLON SLIDE - WHITE	0	Downholes - hard
11	MT0333 0500 03	WASHER PLATE	4	
12	MT0580 2202 00	COUPLING 90°	1	
13	MT0544 2162 00	GREASE NIPPLE	1	
14	MT3128 0016 31BK	BOLT KIT	0	
15	MT3128 3098 206	MAGNET MOUNT	0	
16	MT3128 3098 226	MAGNET HOLDING BRACKET	0	
17	MT3128 3105 18	MAGNET	0	Includes bolts & nuts
18	MT3176 5409 001	DAMPER KIT COMPLETE	0	



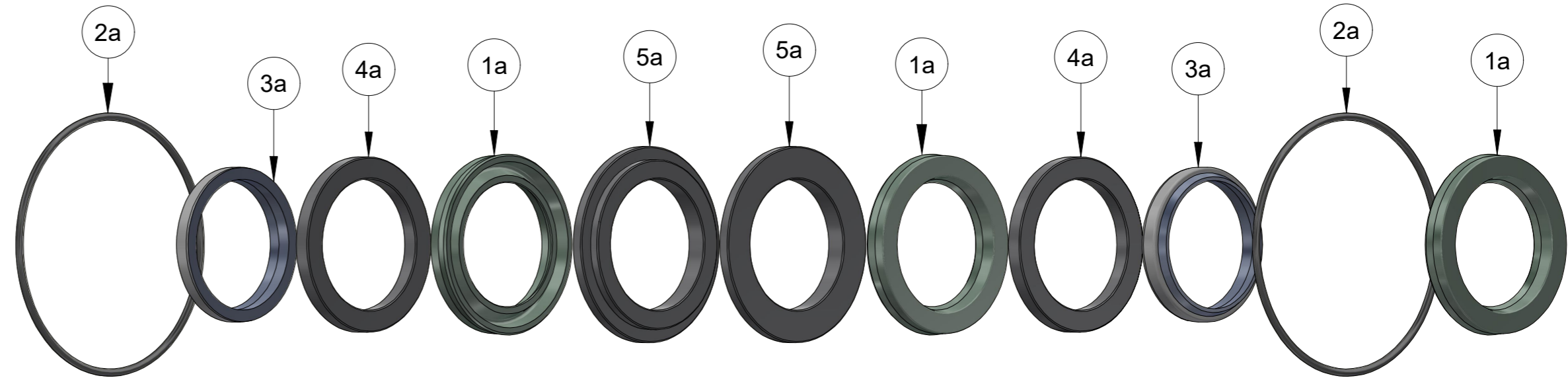
PART NUMBER <b>MT3128 0016 79</b>	DESCRIPTION <b>CRADLE COMPLETE - 2550</b>
MT Parts: 0407 059 610 1 Haehy Circuit, Roseworthy S.A. 5371 171 Dugan Street, Kalgoorlie W.A. 6430 <a href="mailto:parts@mtunderground.com">parts@mtunderground.com</a> <small>PAGE</small> <a href="http://www.mtunderground.com">www.mtunderground.com</a> <b>2.6</b>	

ITEM	PART NUMBER	DESCRIPTION	QTY	COMMENTS
1	MT9772 0145 25	MAT	1	
2	MT9772 0145 25B	BENT ATTACHMENT	1	
3	MT9772 0145 25M	MOUNT	1	
4	MT9772 0145 25P	CLAMPING PLATE	1	
5	MT9772 0145 25S	MAT SPACER	1	
6	MT9772 0145 25W	WASHER	2	
7	MT9772 0145 254	HOSE GUIDE		
8	MT3103 0112 10	STRAP MINI		
9	MT3176 3681 00	STRAP SHORT		
10	MT3115 0212 00	STRAP LONG		

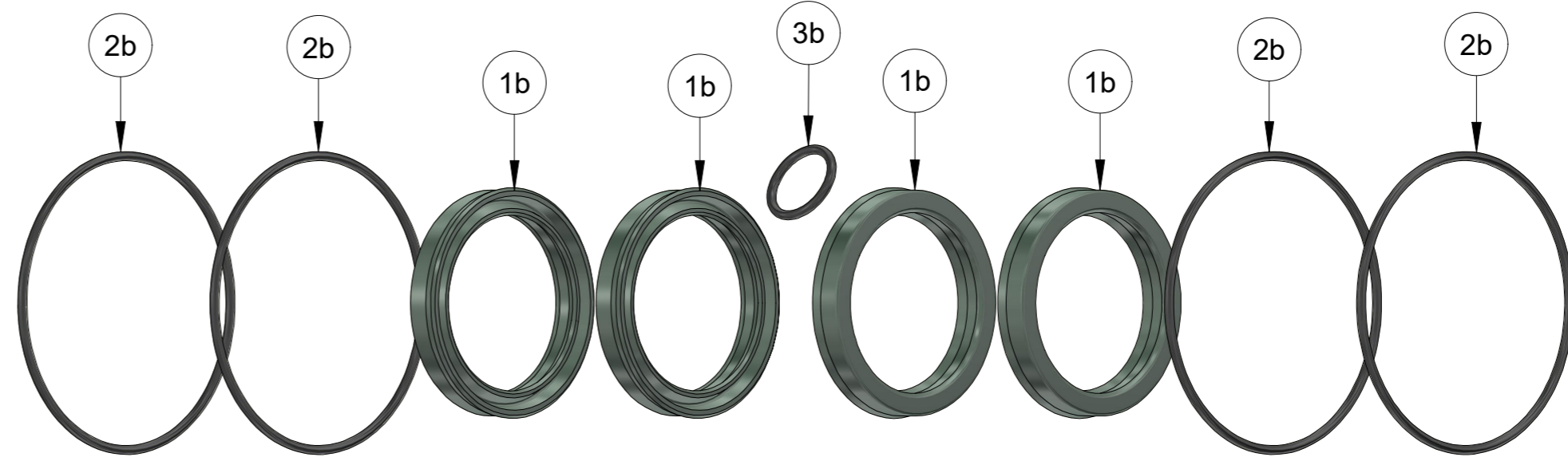


PART NUMBER	DESCRIPTION
MT9772 0145 25C	HOSE GUIDE COMPLETE
	<p>MT Parts: 0407 059 610  1 Haesy Circuit, Roseworthy S.A. 5371  171 Dugan Street, Kalgoorlie W.A. 6430</p> <p><a href="mailto:parts@mtunderground.com">parts@mtunderground.com</a> PAGE  <a href="http://www.mtunderground.com">www.mtunderground.com</a> 2.7</p>
 <p><b>MAINTENANCE TECHNIQUE</b> UNDERGROUND DRILL RELIABILITY</p>	

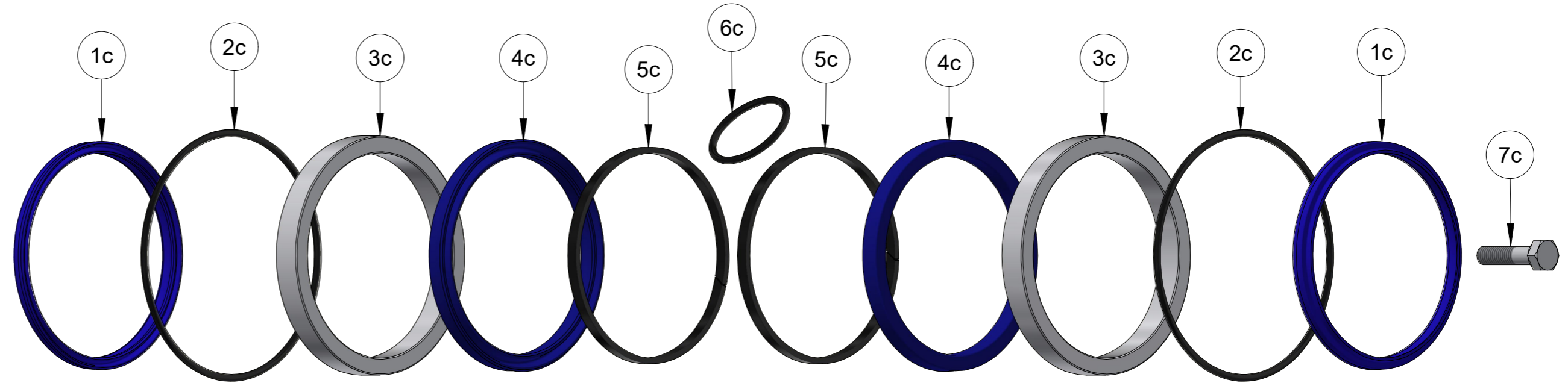
MT9754 0067 80 Flushing Kit 1838 MUX			
ITEM	PART NUMBER	DESCRIPTION	QTY
1a	MT3115 2386 00	CUP SEAL	3
2a	MT0663 2104 94	O-RING	2
3a	MT3115 3236 00	WIPER	2
4a	MT3115 3196 02	GUIDE	2
5a	MT3115 3197 02	GUIDE	2



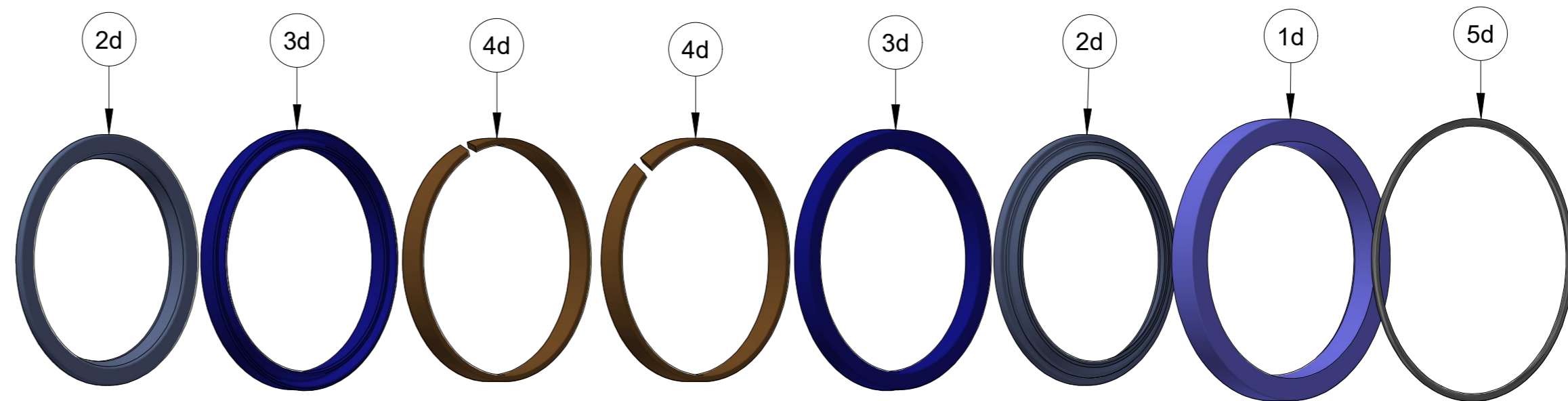
MT3115 2387 SK Flushing Kit 1838 MEX			
ITEM	PART NUMBER	DESCRIPTION	QTY
1b	MT3115 2387 00	CUP SEAL	4
2b	MT0663 6143 01	O-RING	4
3b	MT0663 2126 01	O-RING	1





MT3115 3060 SK Flushing Kit 3060 MUX			
ITEM	PART NUMBER	DESCRIPTION	QTY
1c	MT3115 5756 00	WIPER	2
2c	MT0663 6145 00	O-RING	2
3c	MT3115 5730 00	GUIDE	2
4c	MT3115 3059 00	CUP SEAL	2
5c	MT3115 5731 00	WEAR BAND	2
6c	MT0663 2131 00	O-RING	1
7c	MT0147 1327 03SS	SCREW	12

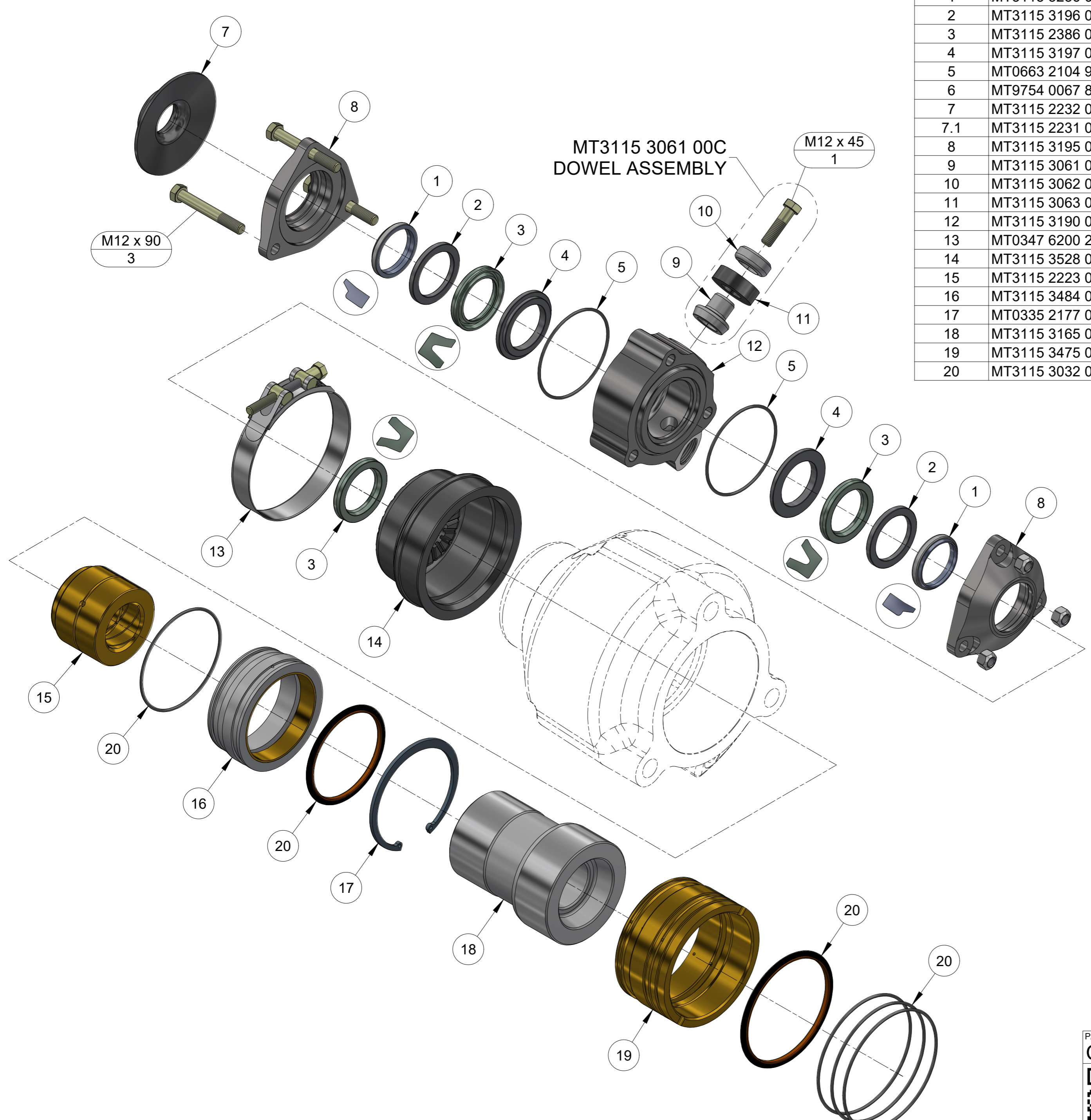


MT3115 3059 SK Flushing Kit 4050 MUX			
ITEM	PART NUMBER	DESCRIPTION	QTY
1d	MT3115 3044 00	CUP SEAL	1
2d	MT3115 3060 00	WIPER	2
3d	MT3115 3059 00	CUP SEAL	2
4d	MT3115 3058 00	GUIDE	2
5d	MT0663 2106 33	O-RING	1



PART NUMBER MT3115 2387 SK	DESCRIPTION FLUSHING KIT 1838 MEX
PART NUMBER MT3115 3060 SK	DESCRIPTION FLUSHING KIT 3060 MUX
PART NUMBER MT3115 3059 SK	DESCRIPTION FLUSHING KIT 4050 MUX

PART NUMBER MT9754 0067 80	DESCRIPTION FLUSHING KIT 1838 MUX
	
MT Parts: 0407 059 610 1 Haehy Circuit, Roseworthy S.A. 5371 171 Dugan Street, Kalgoorlie W.A. 6430 <a href="mailto:parts@mtunderground.com">parts@mtunderground.com</a> <a href="http://www.mtunderground.com">www.mtunderground.com</a>	

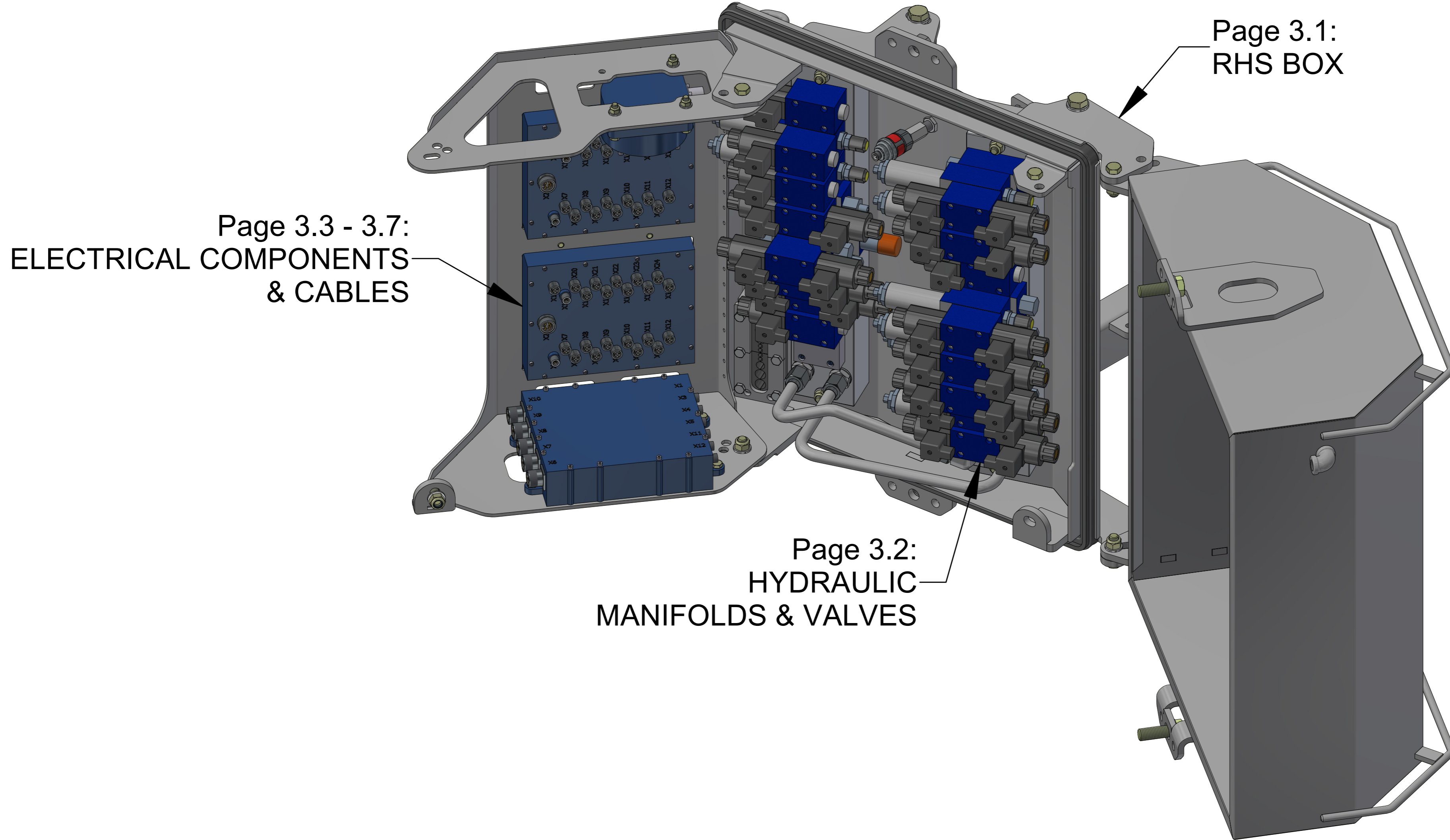


MT3115 3061 00C  
DOWEL ASSEMBLY

ITEM	PART NUMBER	DESCRIPTION	QTY	COMMENTS
1	MT3115 3236 00	WIPER	2	
2	MT3115 3196 02	GUIDE	2	
3	MT3115 2386 00	CUP SEAL	3	
4	MT3115 3197 02	GUIDE	2	
5	MT0663 2104 94	O-RING	2	
6	MT9754 0067 80	FLUSHING KIT		Includes items 1 - 5
7	MT3115 2232 00	DRILL COLLAR ST45	1	
7.1	MT3115 2231 00	DRILL COLLAR ST38	1	
8	MT3115 3195 01	COVER	2	
9	MT3115 3061 00	DOWEL PIN	1	
10	MT3115 3062 00	WASHER	1	
11	MT3115 3063 00	BUSHING	1	
12	MT3115 3190 00	FLUSHING HEAD	1	
13	MT0347 6200 21	HOSE CLAMP	1	
14	MT3115 3528 00	SEAL RETAINER	1	
15	MT3115 2223 02	GUIDE	1	
16	MT3115 3484 00	FRONT BUSH	1	
17	MT0335 2177 00	CIRCLIP	1	
18	MT3115 3165 00	PISTON	1	
19	MT3115 3475 00	REAR BUSH	1	
20	MT3115 3032 00SK	EXTRACTOR SEAL KIT	1	

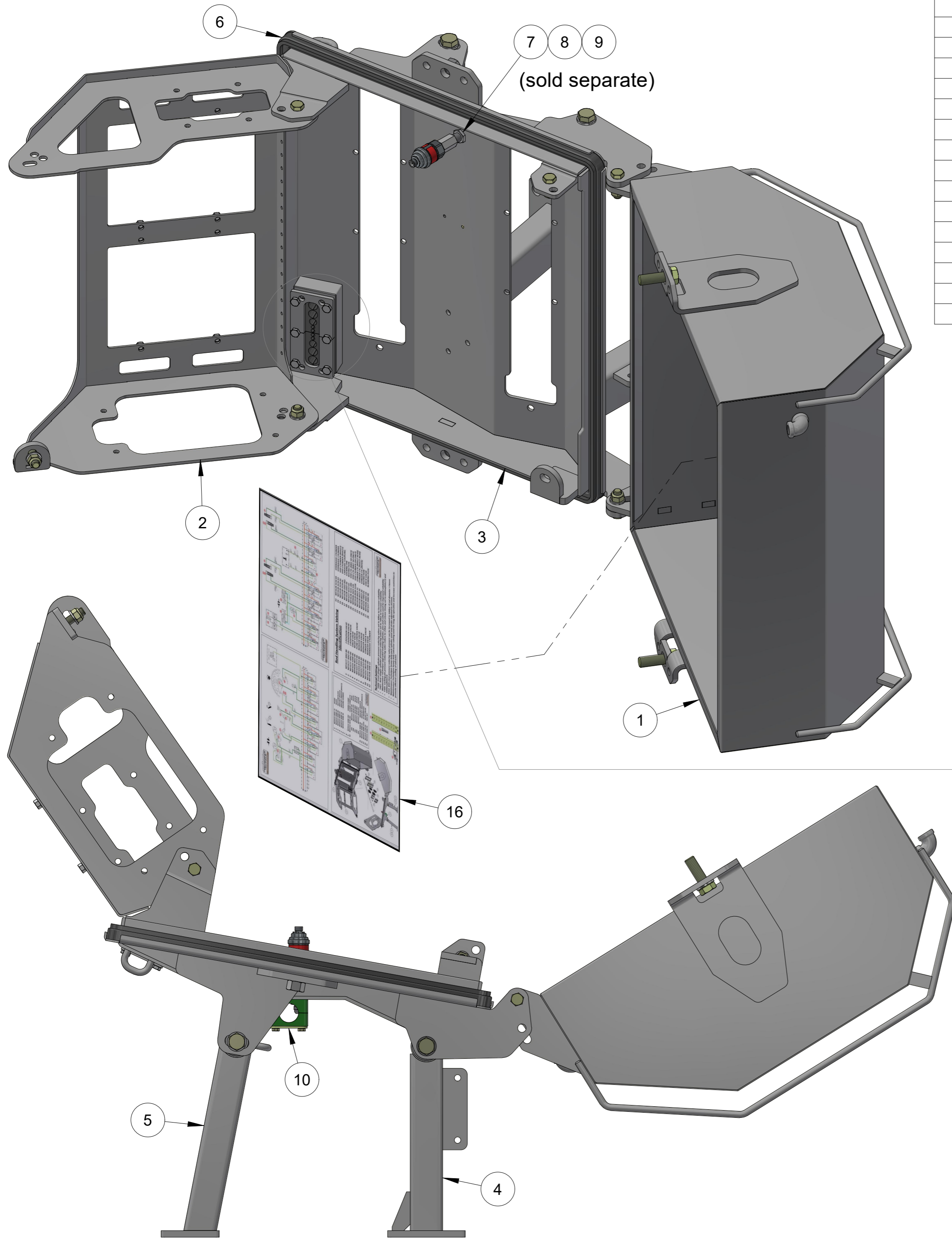
PART NUMBER <b>COP 1838MUX</b>	DESCRIPTION <b>FRONT HEAD PARTS</b>
	<p>MT Parts: 0407 059 610          1 Haesy Circuit, Roseworthy S.A. 5371          171 Dugan Street, Kalgoorlie W.A. 6430  <a href="mailto:parts@mtunderground.com">parts@mtunderground.com</a>  <a href="http://www.mtunderground.com">www.mtunderground.com</a></p>
 <p><b>MAINTENANCE TECHNIQUE</b> UNDERGROUND DRILL RELIABILITY</p>	

# SECTION 3: ROD HANDLER SYSTEM

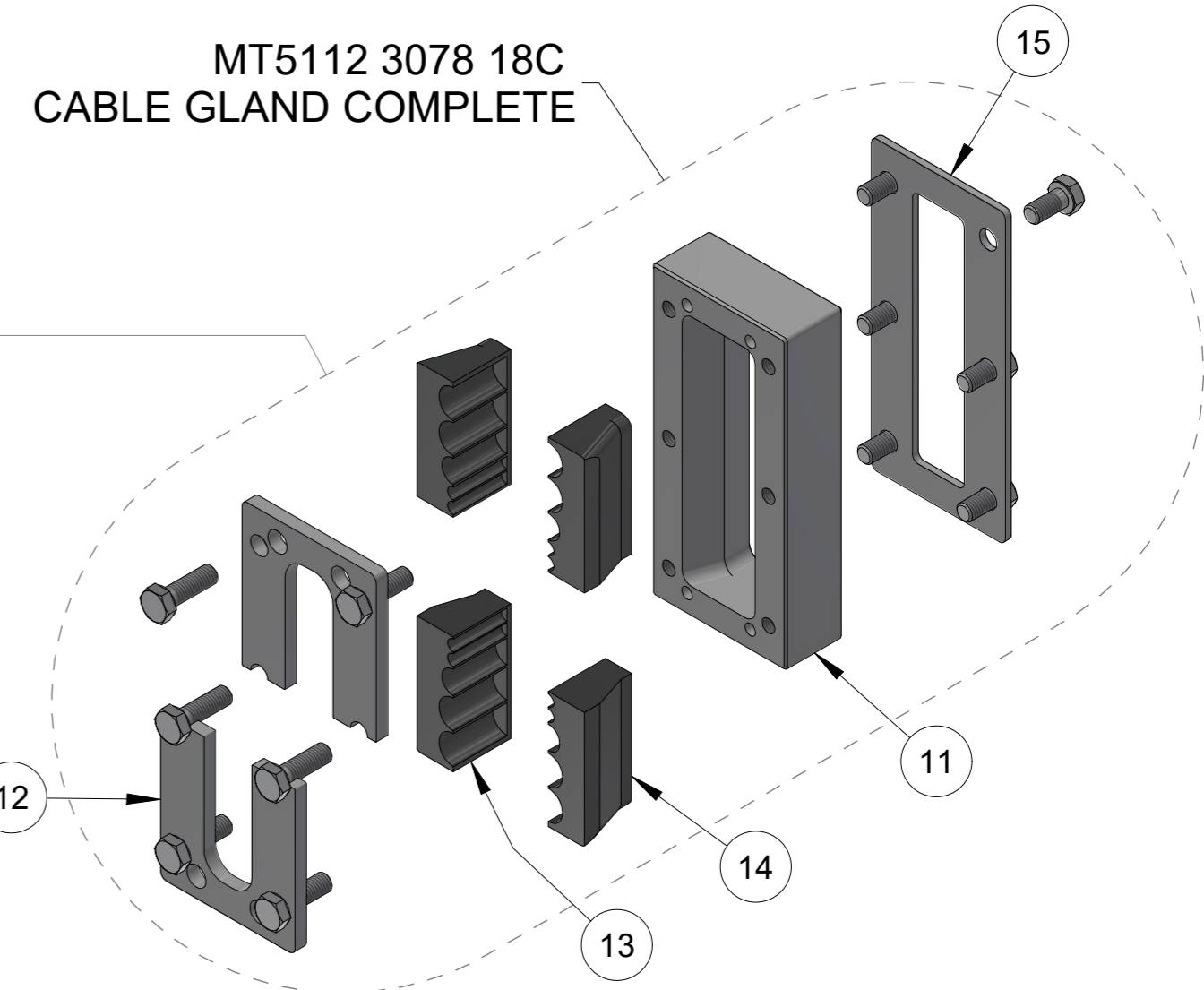


PART NUMBER	DESCRIPTION
	<b>ROD HANDLER SYSTEM</b>
	MT Parts: 0407 059 610 1 Haehy Circuit, Roseworthy S.A. 5371 171 Dugan Street, Kalgoorlie W.A. 6430 <a href="mailto:parts@mtunderground.com">parts@mtunderground.com</a> <a href="http://www.mtunderground.com">www.mtunderground.com</a>

**MAINTENANCE TECHNIQUE**  
UNDERGROUND DRILL RELIABILITY



ITEM	PART NUMBER	DESCRIPTION	QTY	COMMENTS
1	MT9111 4095 713	HOOD	1	
2	MT9111 4088 203	PLATE	1	
3	MT9111 4088 003	BOTTOM PLATE	1	
4	MT9111 4088 061	BRACKET RHS17	1	MT box only
5	MT9111 4088 051	BRACKET ANGLED RHS17	1	MT box only
6	MT9111 4088 303	SEALING RUBBER	1	
7	MT9106 2192 01	PRESSURE TRANSDUCER RCS4		350 bar - OEM only
8	MTJIM JBM 0909	JIC x JIC Bulkhead		
9	MT0570 5191 05	TEST CONNECTION ADAPTOR		
10	MT9111 4088 30C	CLAMP 30mm COMPLETE	1	
11	MT5112 3078 GB	BASE	1	
12	MT5112 3078 CP1	CLAMP PLATE	2	
13	MT5112 3078 RB3	RUBBER BLOCK	2	
14	MT5112 3078 RB4	RUBBER BLOCK-OH	2	
15	MT5112 3078 CP2	CLAMP PLATE - OUTER	1	
16	MT9111 4095 71LS	RHS BOX HOOD LABEL SHEET		Affixed to inside of hood

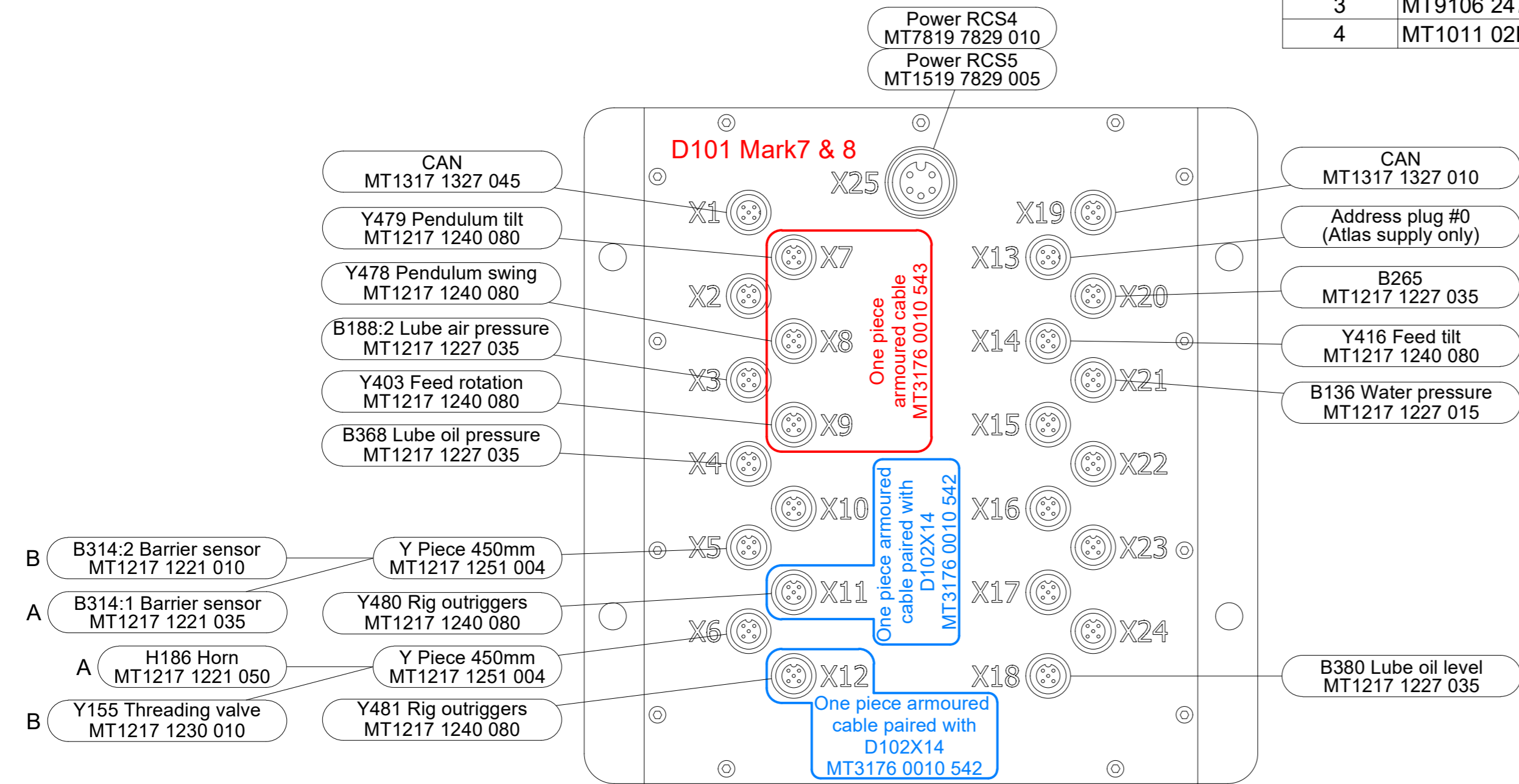


PART NUMBER <b>MT9111 4088 M7</b>	DESCRIPTION <b>ROD HANDLER SYSTEM BOX - RHS17</b>
	
MT Parts: 0407 059 610 1 Haehy Circuit, Roseworthy S.A. 5371 171 Dugan Street, Kalgoorlie W.A. 6430 <a href="mailto:parts@mtunderground.com">parts@mtunderground.com</a> <a href="http://www.mtunderground.com">www.mtunderground.com</a>	
PAGE	<b>3.1</b>

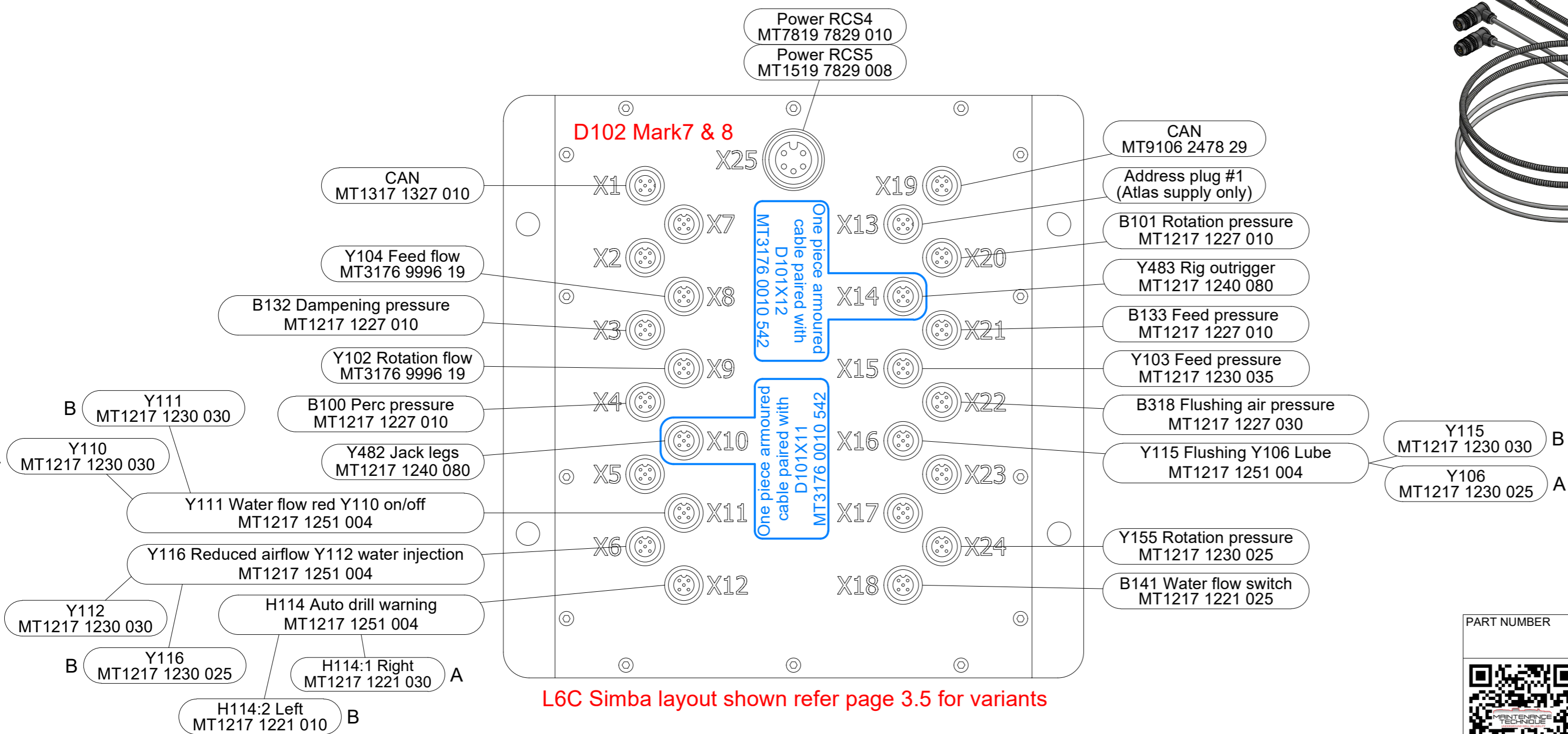




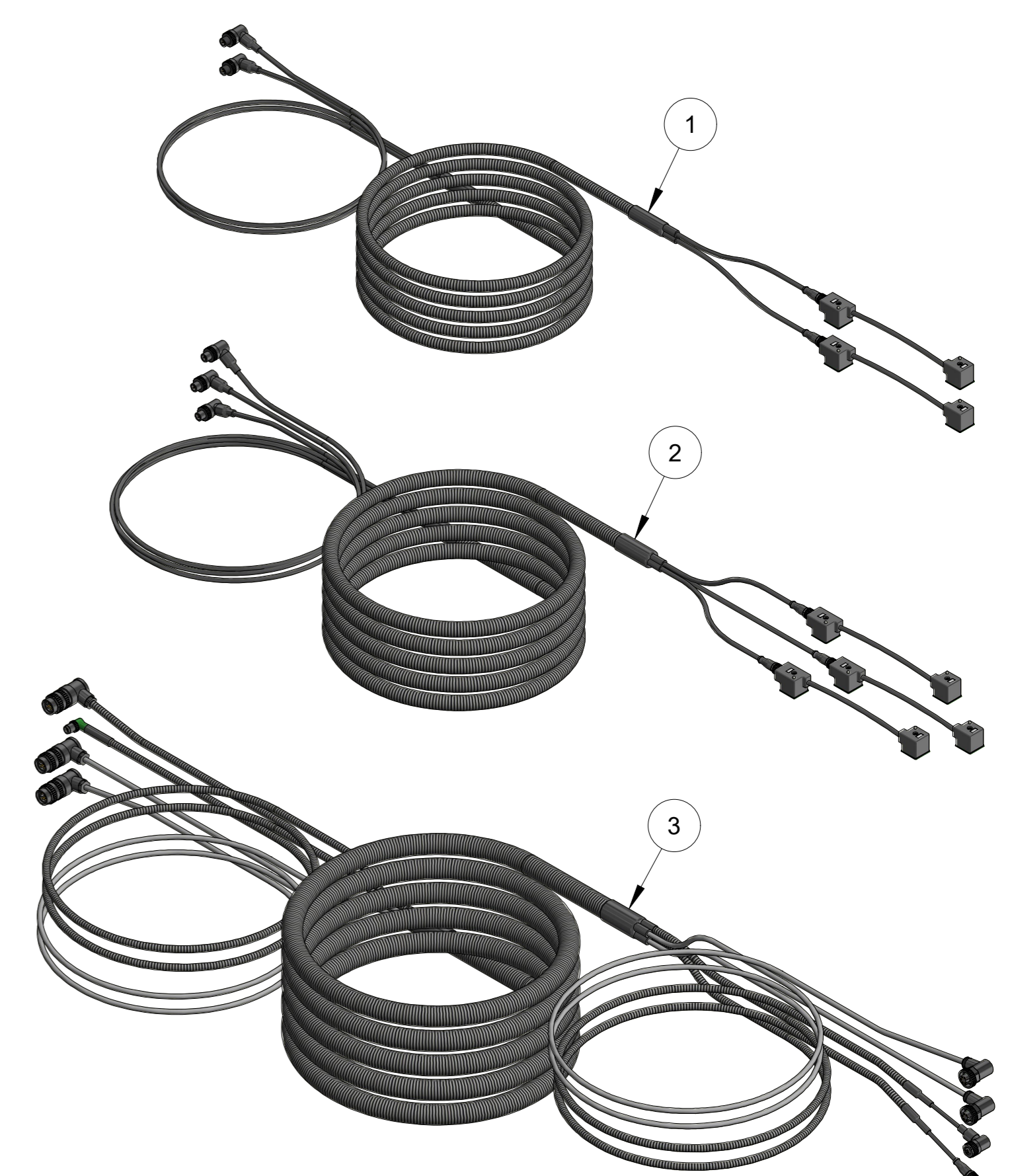
ITEM	PART NUMBER	DESCRIPTION	QTY	COMMENTS
1	MT3176 0010 542	DOUBLE OUTPUT HARNESS		
2	MT3176 0010 543	TRIPLE OUTPUT HARNESS		
3	MT9106 2478 29	MAIN CAN CABLE		
4	MT1011 02RC S4	LABELLING KIT D101 - D102		Not shown



L6C Simba layout shown refer page 3.5 for variants

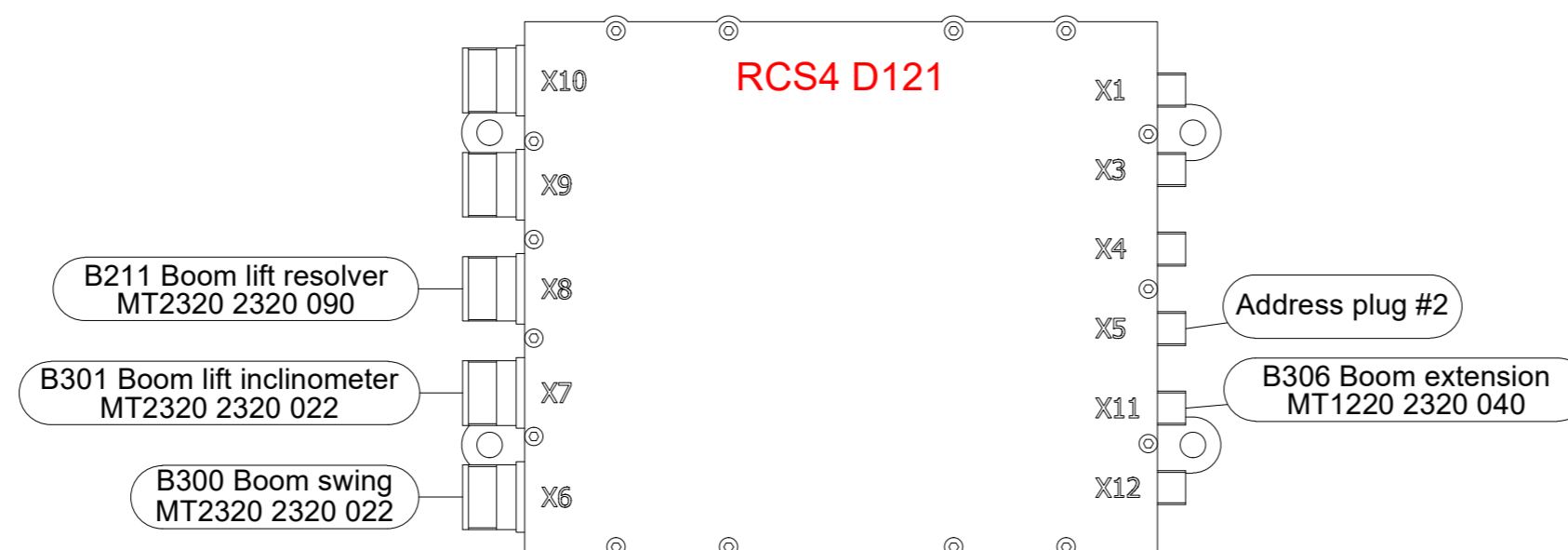
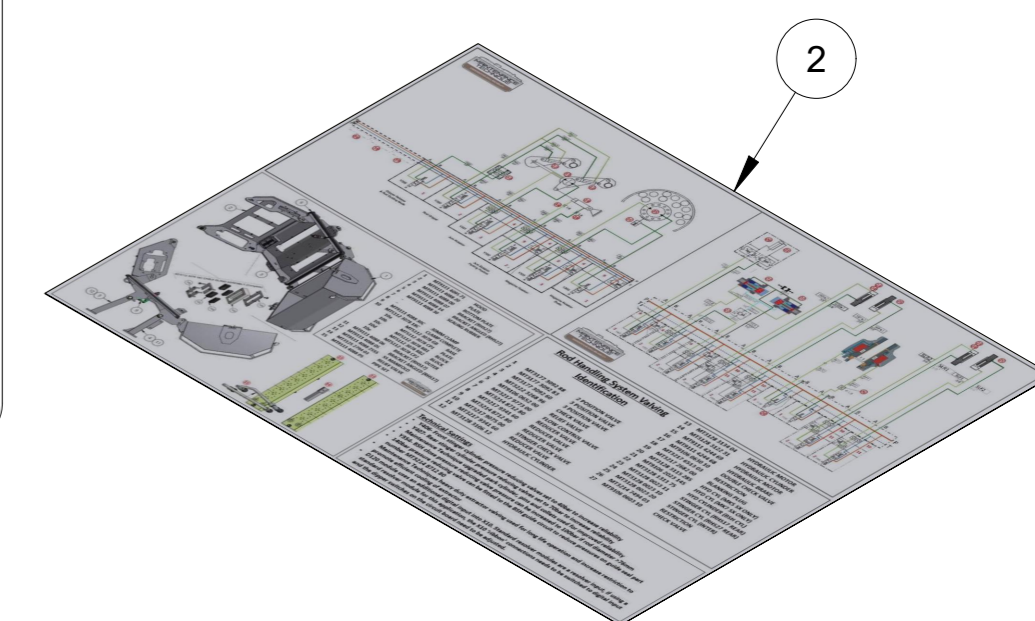
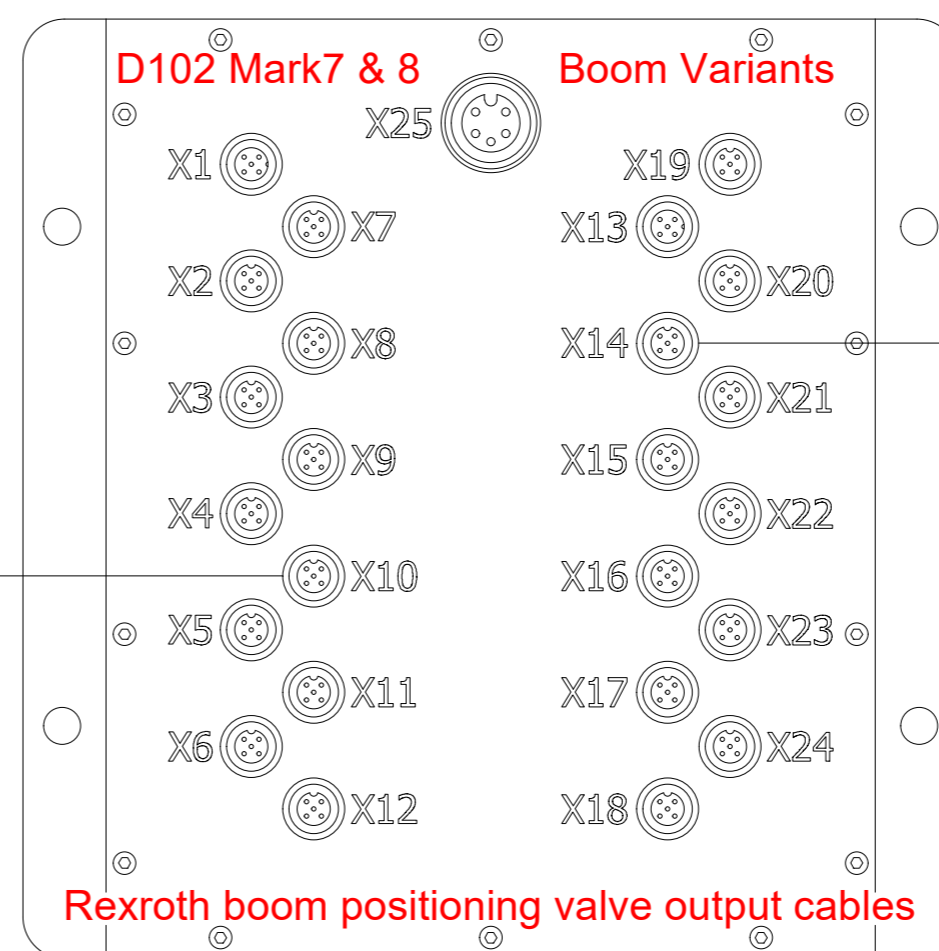
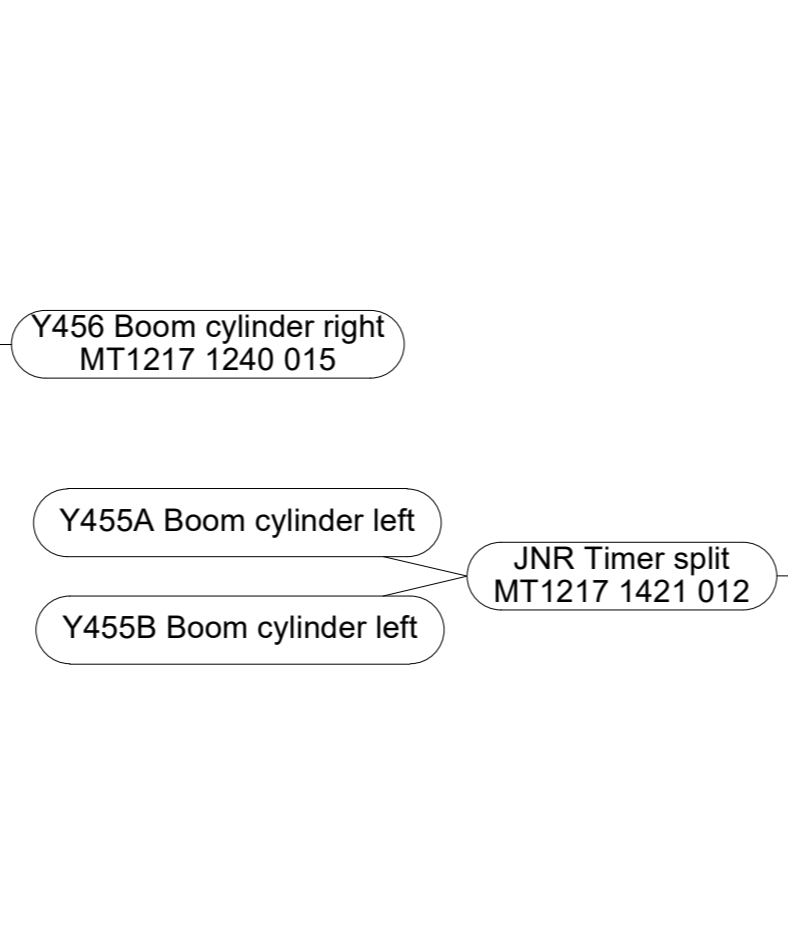
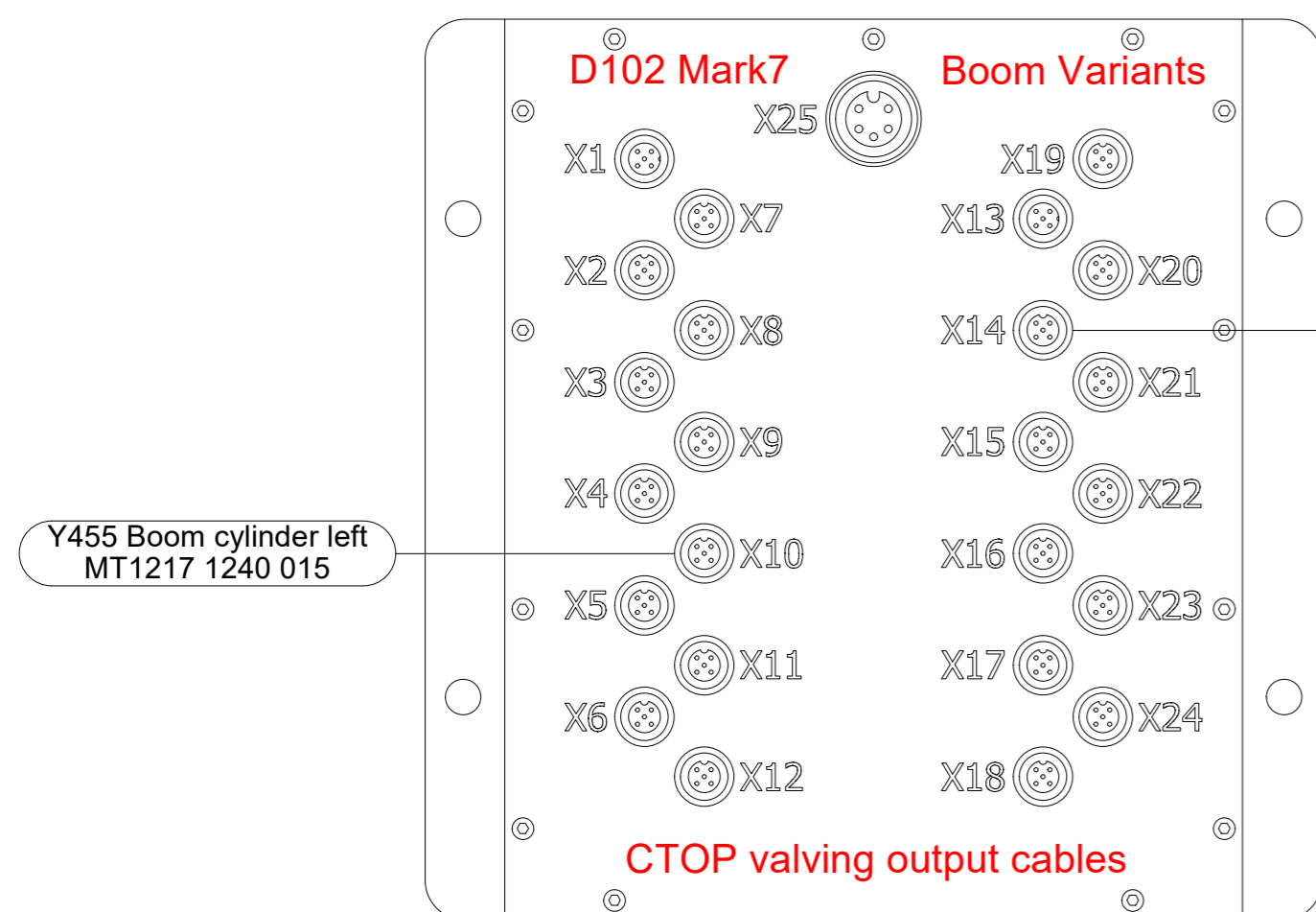
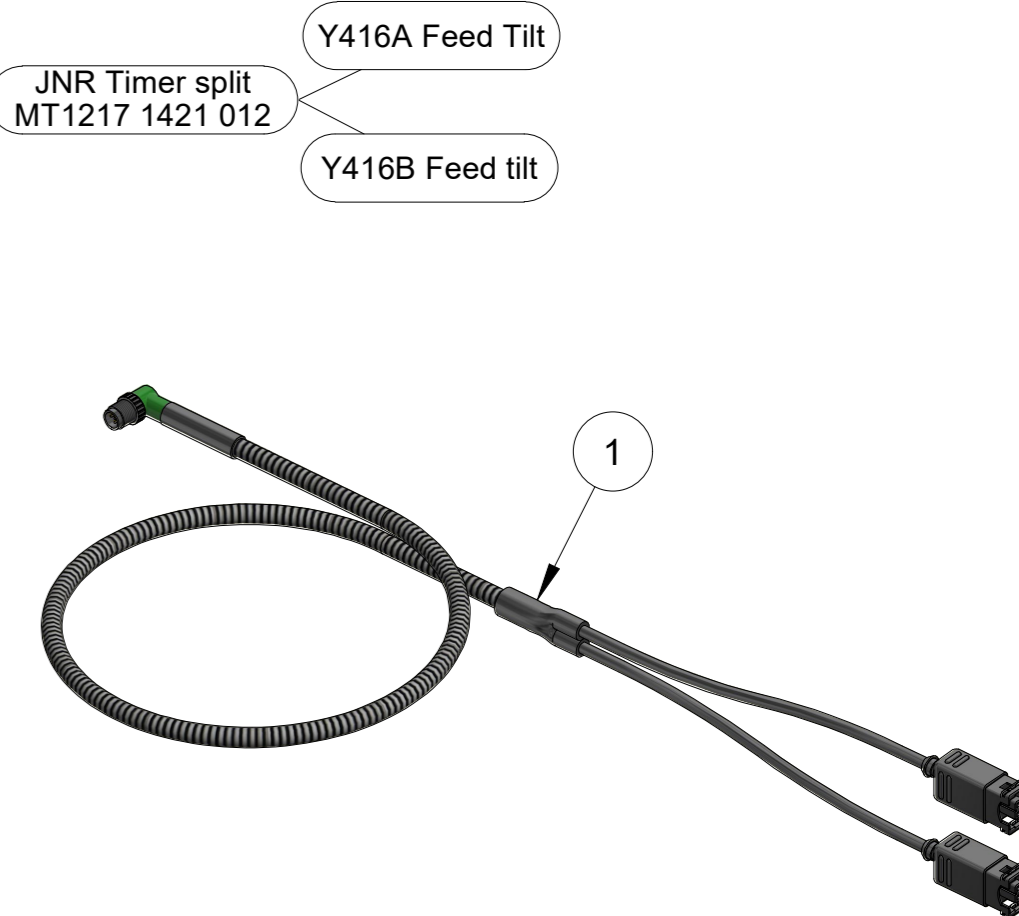
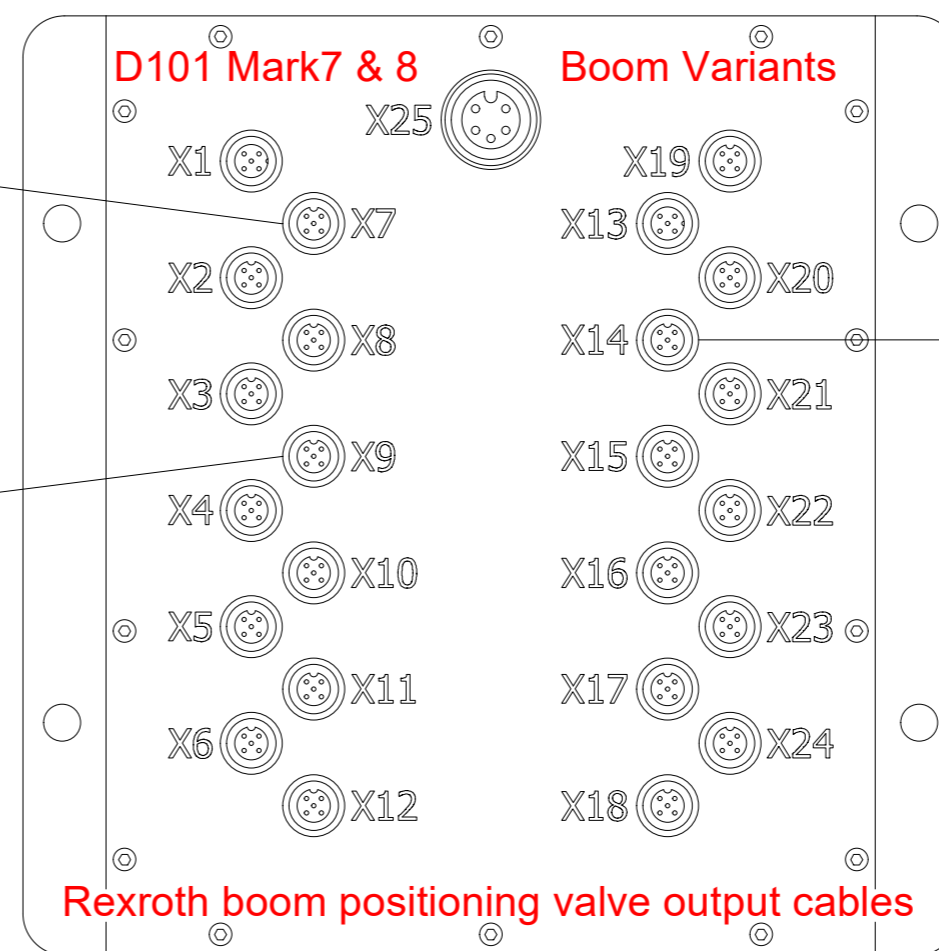
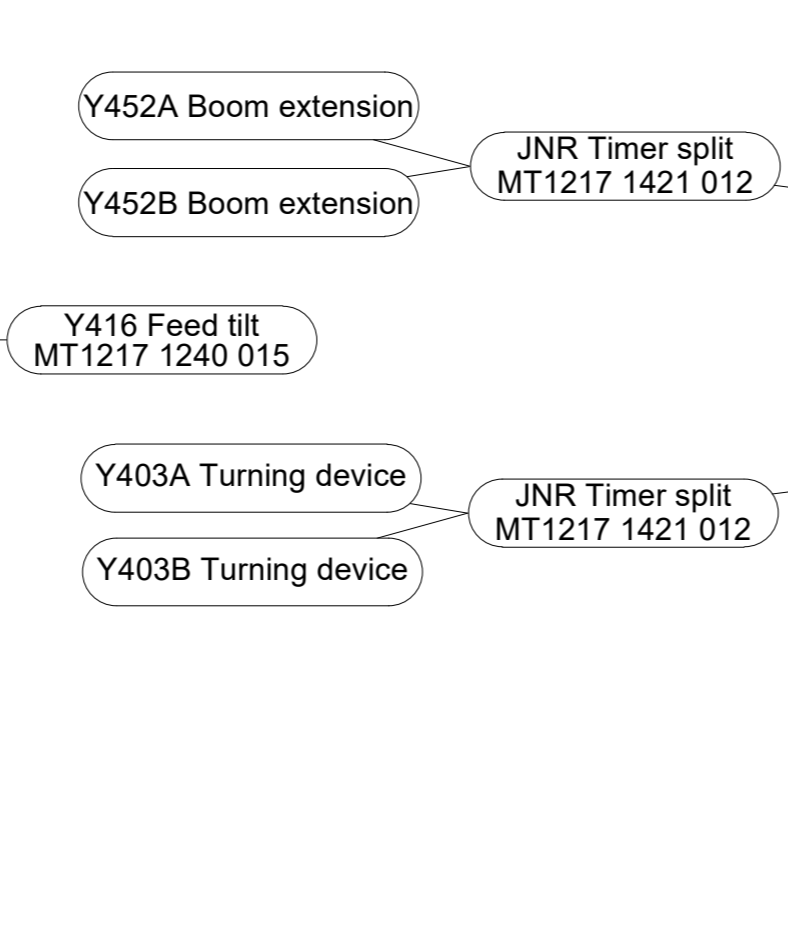
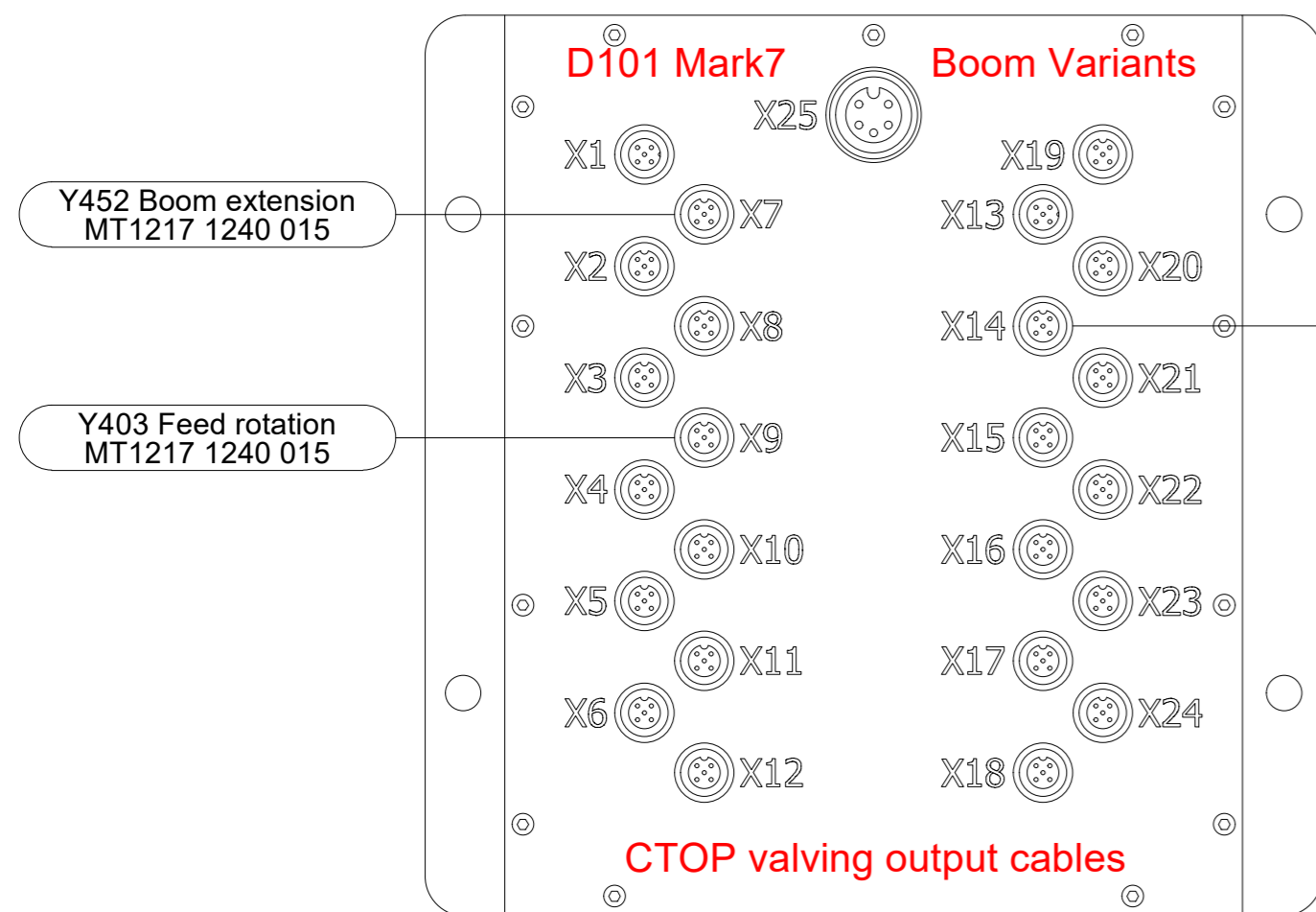


L6C Simba layout shown refer page 3.5 for variants



PART NUMBER	DESCRIPTION
	RCS4/RCS5 I/O CONNECTIONS
	
	
MT Parts: 0407 059 610 1 Hahees Circuit, Roseworthy S.A. 5371 171 Dugan Street, Kalgoorlie W.A. 6430 <a href="mailto:parts@mtunderground.com">parts@mtunderground.com</a> <a href="http://www.mtunderground.com">www.mtunderground.com</a>	
PAGE	3.4

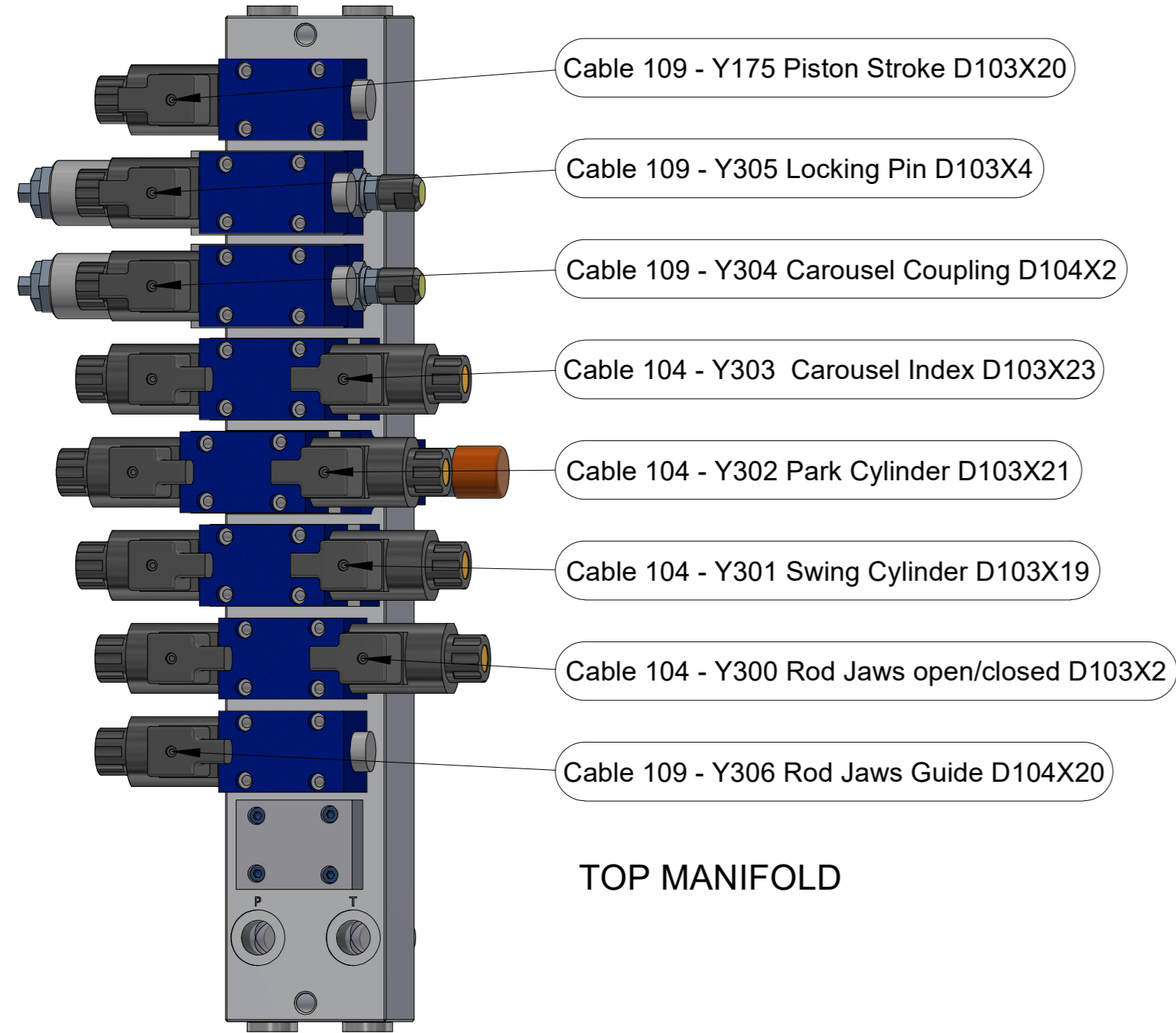
ITEM	PART NUMBER	DESCRIPTION	QTY	COMMENTS
1	MT3176 9996 19	FEED ROTATION CABLE		
2	MT9111 4095 71ES	RHS BOX HOOD LABEL SHEET - E SERIES		



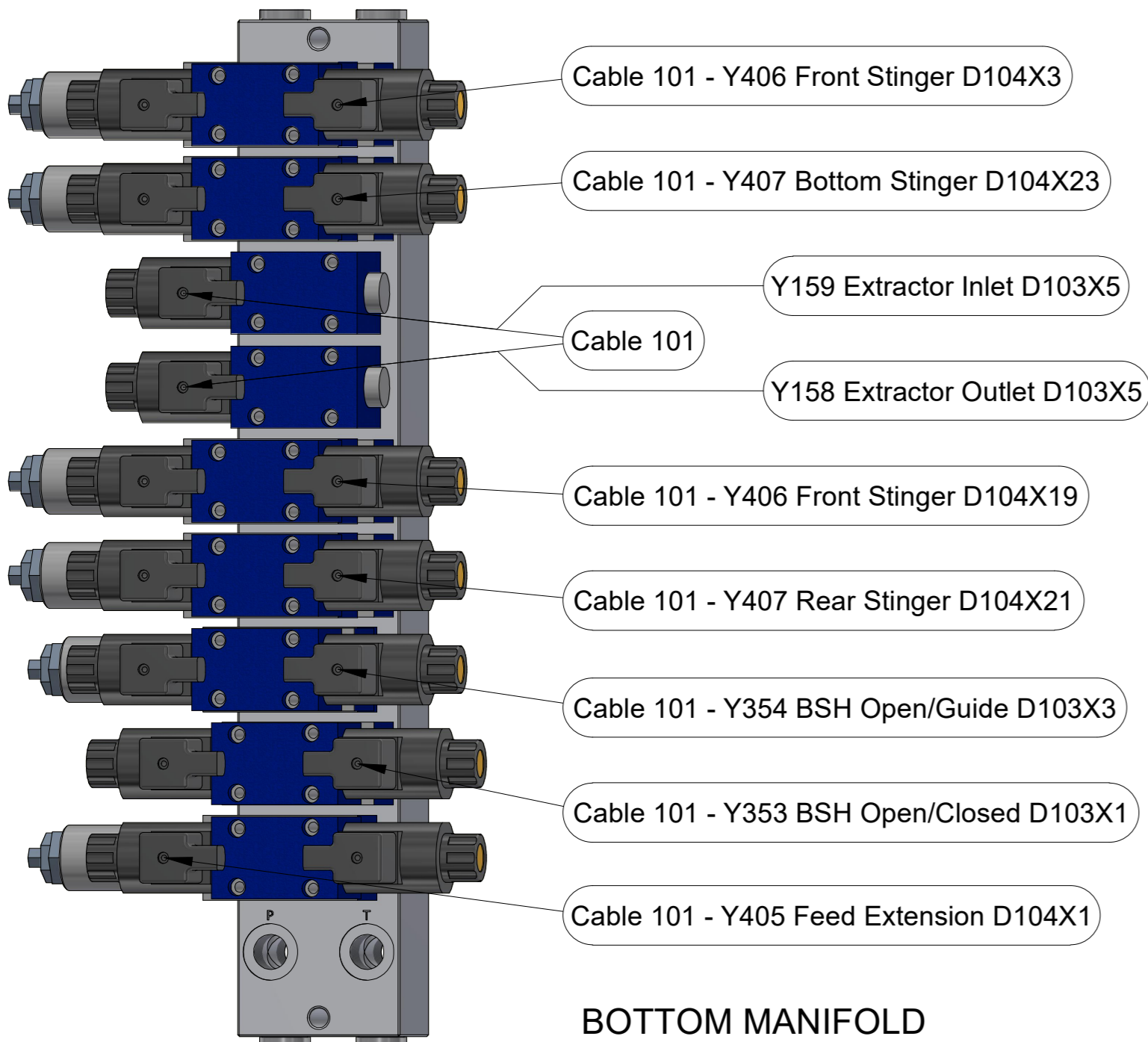
PART NUMBER	DESCRIPTION
	<b>E7/M7 BOOM VARIATIONS RCS4/RCS5 I/O CONNECTIONS</b>
UNDERGROUND DRILL RELIABILITY	
MT Parts: 0407 059 610 1 Haehy Circuit, Roseworthy S.A. 5371 171 Dugan Street, Kalgoorlie W.A. 6430 <a href="mailto:parts@mtunderground.com">parts@mtunderground.com</a> <a href="http://www.mtunderground.com">www.mtunderground.com</a>	
PAGE	3.5

# RCS3 outputs

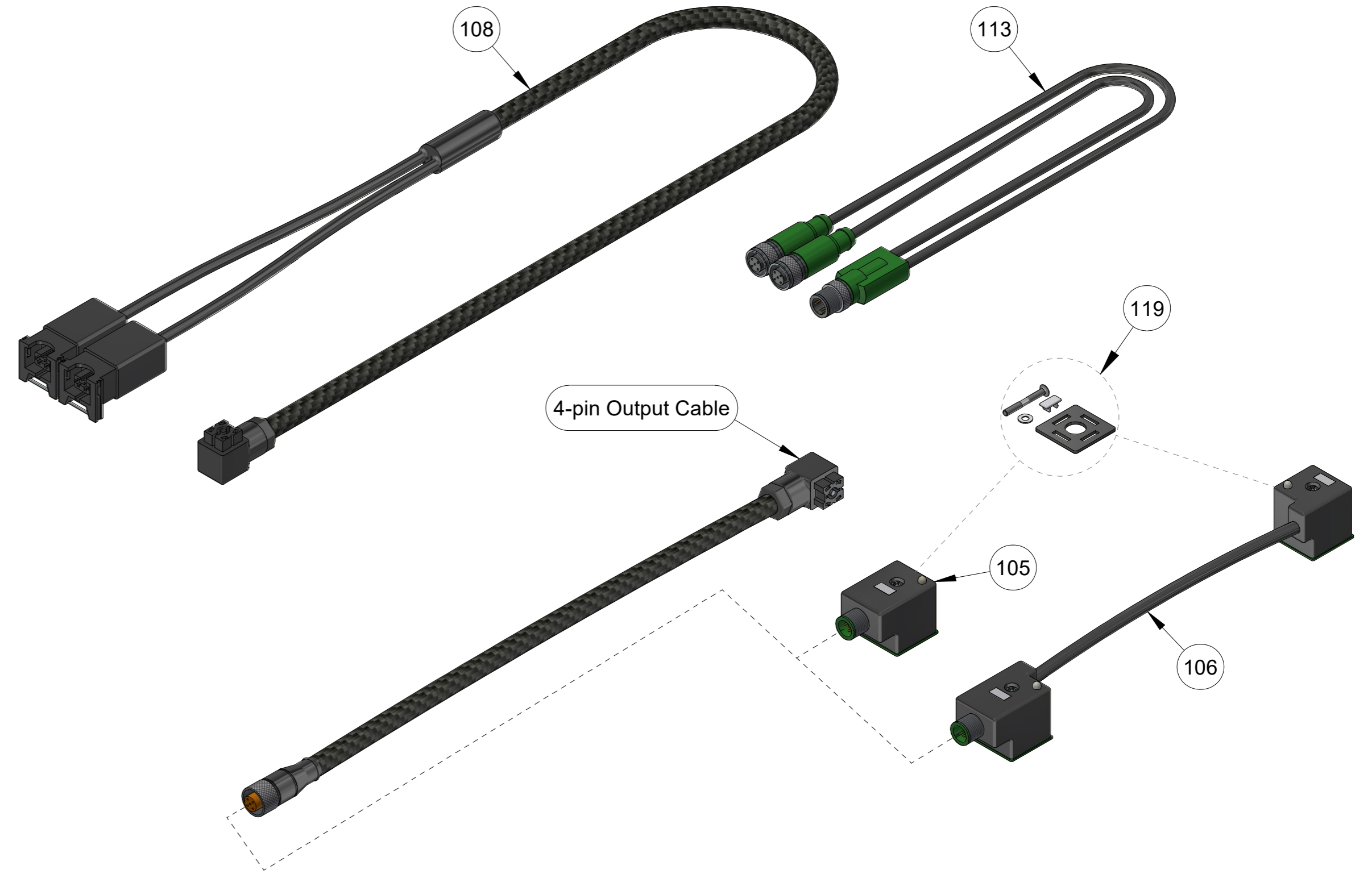
ITEM	PART NUMBER	DESCRIPTION	QTY
101	MT9110 9984 42	1.3m output cable, DCV twin plug	
102	MT9106 1324 03	3m output cable, DCV twin split plug	
103	MT9106 1324 03Y	1.4m output cable DCV twin split (1m, 0.4m Y-piece)	
104	MT9106 1324 86	1m output cable DCV twin plug	
105	MT9106 1458 538	M12 single DIN plug adaptor	
106	MT9106 1458 156	M12 double DIN adaptor	
107	MT9106 1725 32	8m output cable, DCV twin plug	
108	MT9106 0956 06	output cable, feed and rotation	
109	MT9106 0957 04	0.8m output cable, DCV single plug	
110	MT9106 1324 64	1.3m output cable, DCV single plug	
111	MT9106 0957 02	5m output cable, DCV single plug	
112	MT9106 1677 39	1.2m pressure transducer cable	
113	MT3176 0009 85	M12 Y-piece	
114	MT9106 0957 048	0.8m output cable only	
115	MT9106 1324 861	1m output cable only	
116	MT9106 1324 643	1.3m output cable only	
117	MT9106 1324 033	3m output cable only	
118	MT9106 0957 025	5m output cable only	
119	MT9106 1458 5DA	DIN plug accessory kit	





TOP MANIFOLD



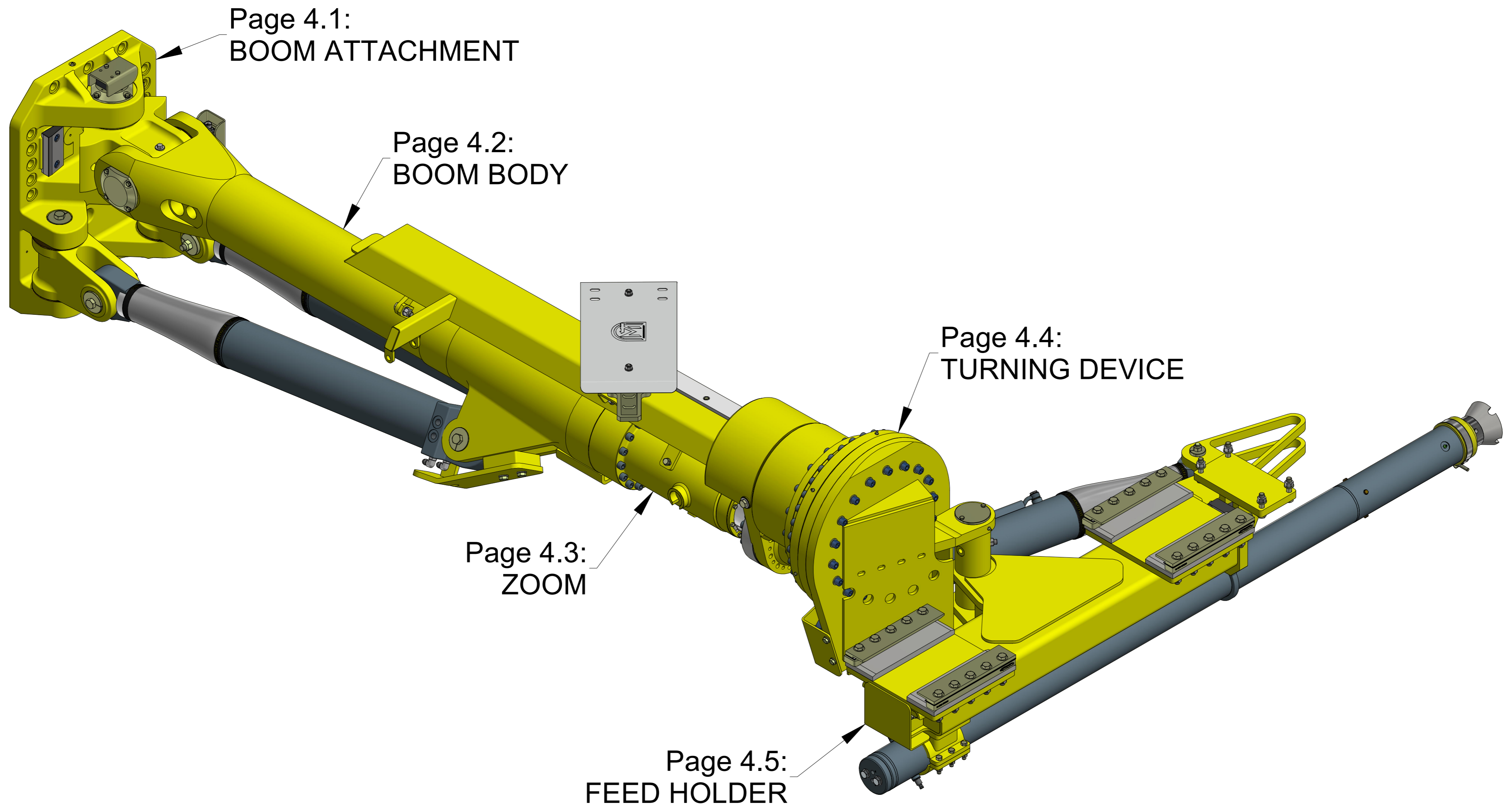
BOTTOM MANIFOLD



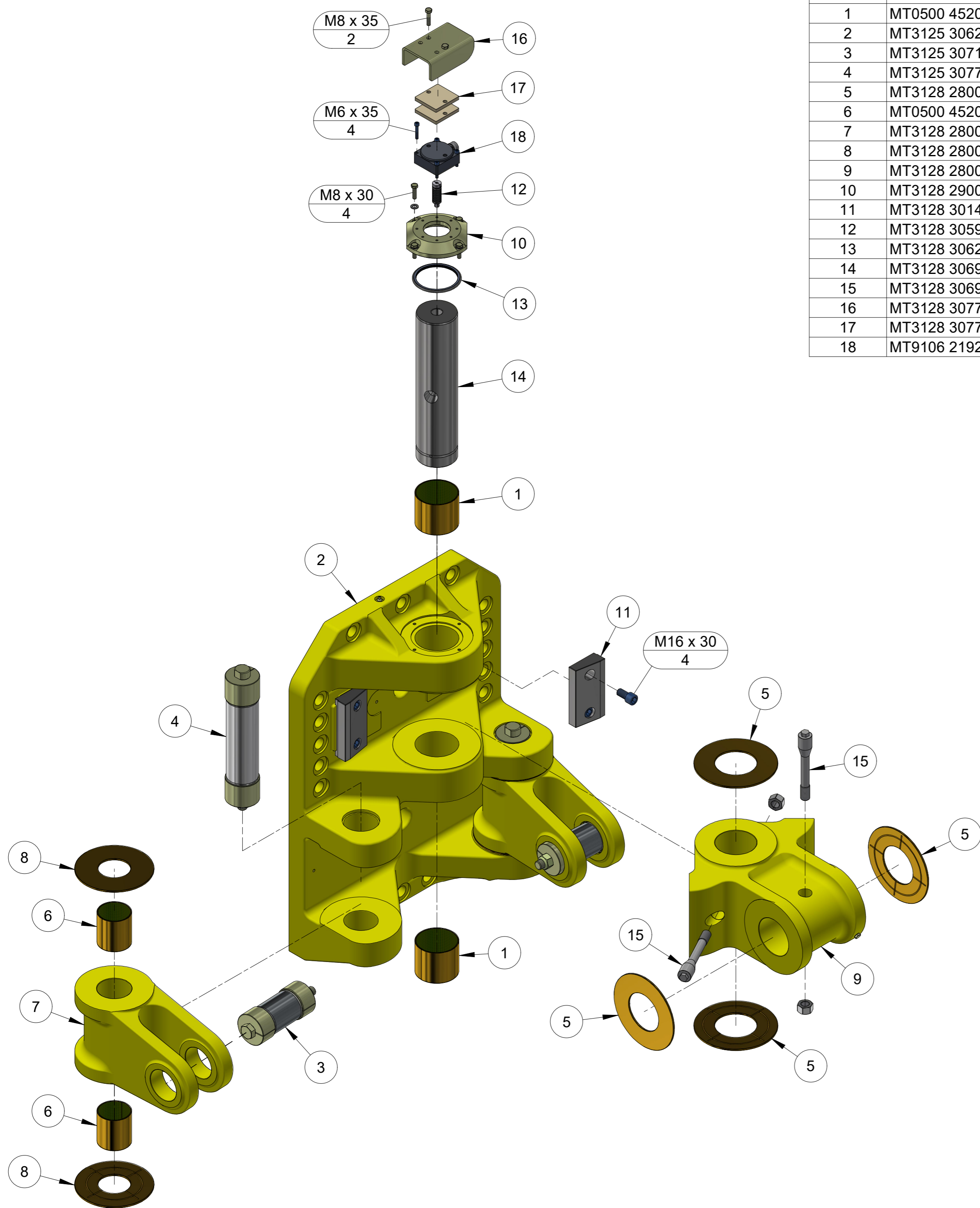
PART NUMBER	DESCRIPTION
	<b>ELECTRICAL COMPONENTS - RCS3</b>
	
	
	MT Parts: 0407 059 610 1 Haehy Circuit, Roseworthy S.A. 5371 171 Dugan Street, Kalgoorlie W.A. 6430 <a href="mailto:parts@mtunderground.com">parts@mtunderground.com</a> <a href="http://www.mtunderground.com">www.mtunderground.com</a>
	UNDERGROUND DRILL RELIABILITY
	PAGE 3.6



SECTION 4: BOOM

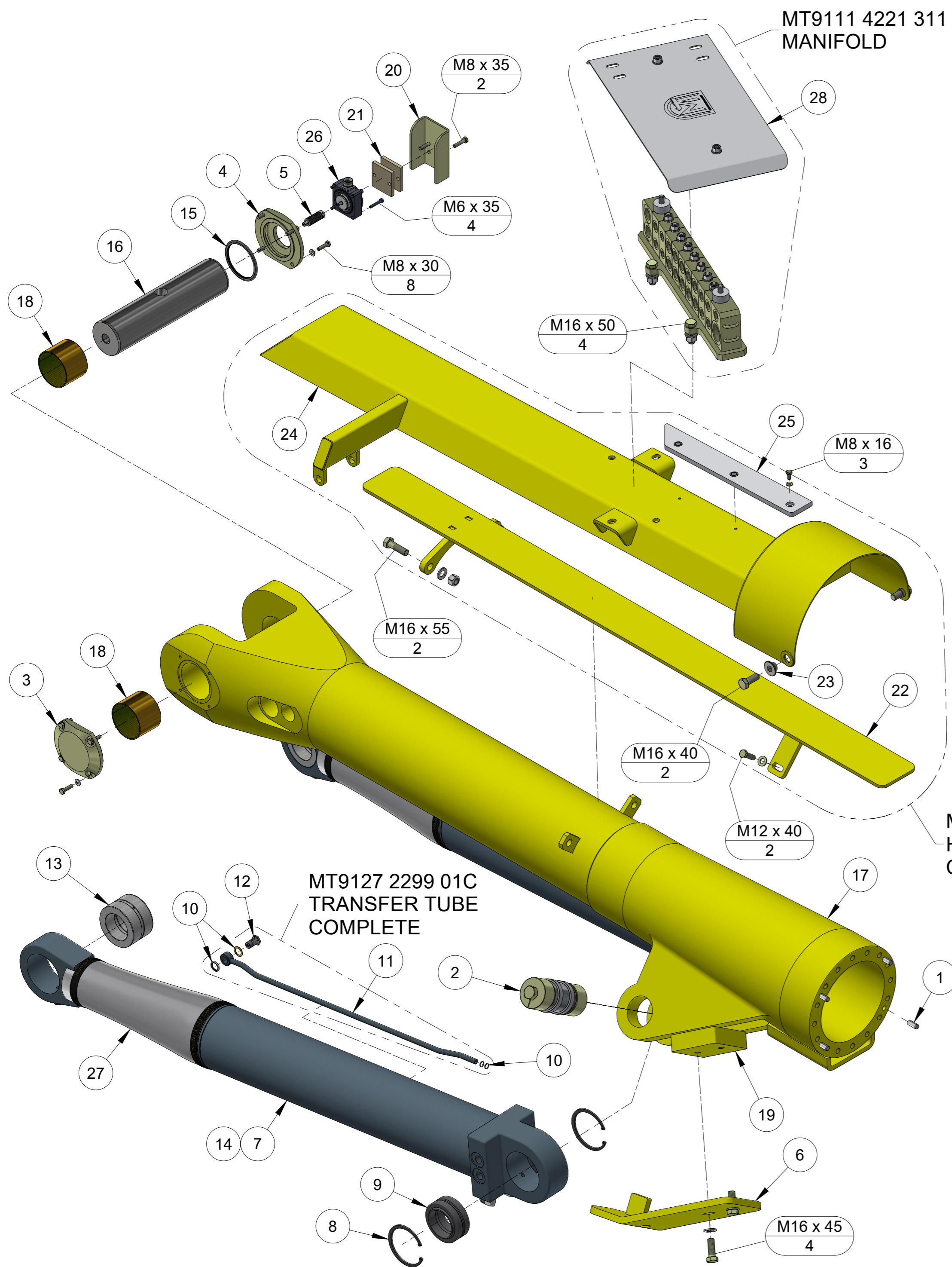


PART NUMBER	DESCRIPTION
MT3128 0016 25C	BOOM COMPLETE M7C
	MT Parts: 0407 059 610 1 Hahey Circuit, Roseworthy S.A. 5371 171 Dugan Street, Kalgoorlie W.A. 6430 <a href="mailto:parts@mtunderground.com">parts@mtunderground.com</a> <a href="http://www.mtunderground.com">www.mtunderground.com</a>
 <b>MAINTENANCE TECHNIQUE</b> UNDERGROUND DRILL RELIABILITY	



ITEM	PART NUMBER	DESCRIPTION	QTY	COMMENTS
1	MT0500 4520 07	BUSH	2	
2	MT3125 3062 10S	BOOM ATTACHMENT	1	Service ex.
3	MT3125 3071 80	EXPANDING SHAFT	2	
4	MT3125 3077 80	EXPANDING SHAFT	2	
5	MT3128 2800 00	THRUST WASHER	4	
6	MT0500 4520 06	BUSH	4	
7	MT3128 2800 03S	CYLINDER LINK	2	Service ex.
8	MT3128 2800 04	THRUST WASHER	4	
9	MT3128 2800 01S	BOOM LINK	1	Service ex.
10	MT3128 2900 22	COVER	1	Includes seal
11	MT3128 3014 033	BOOM STOP	2	
12	MT3128 3059 89	BELLOWS COUPLING	1	
13	MT3128 3062 49	SEAL	1	
14	MT3128 3069 49	SHAFT	1	
15	MT3128 3069 53	BOLT	2	Includes M20 nut
16	MT3128 3077 24	RESOLVER COVER	1	
17	MT3128 3077 89	FOAM BLOCK	2	
18	MT9106 2192 03	ANGLE SENSOR	1	

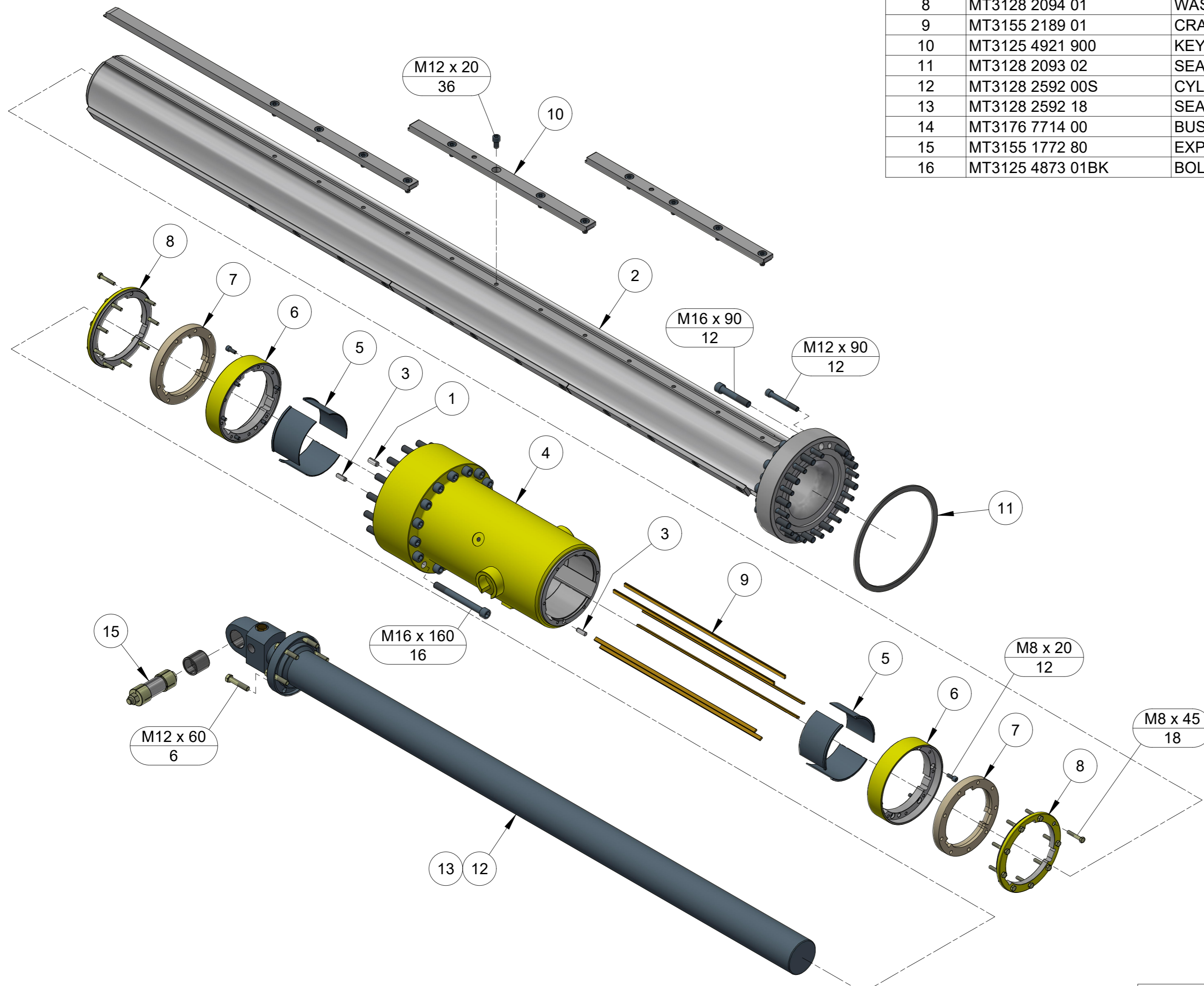
PART NUMBER <b>MT3128 0016 252</b>		DESCRIPTION <b>BOOM ATTACHMENT M7C</b>	
			MT Parts: 0407 059 610 1 Hahey Circuit, Roseworthy S.A. 5371 171 Dugan Street, Kalgoorlie W.A. 6430 <a href="mailto:parts@mtunderground.com">parts@mtunderground.com</a> <a href="http://www.mtunderground.com">www.mtunderground.com</a>
			PAGE <b>4.1</b>



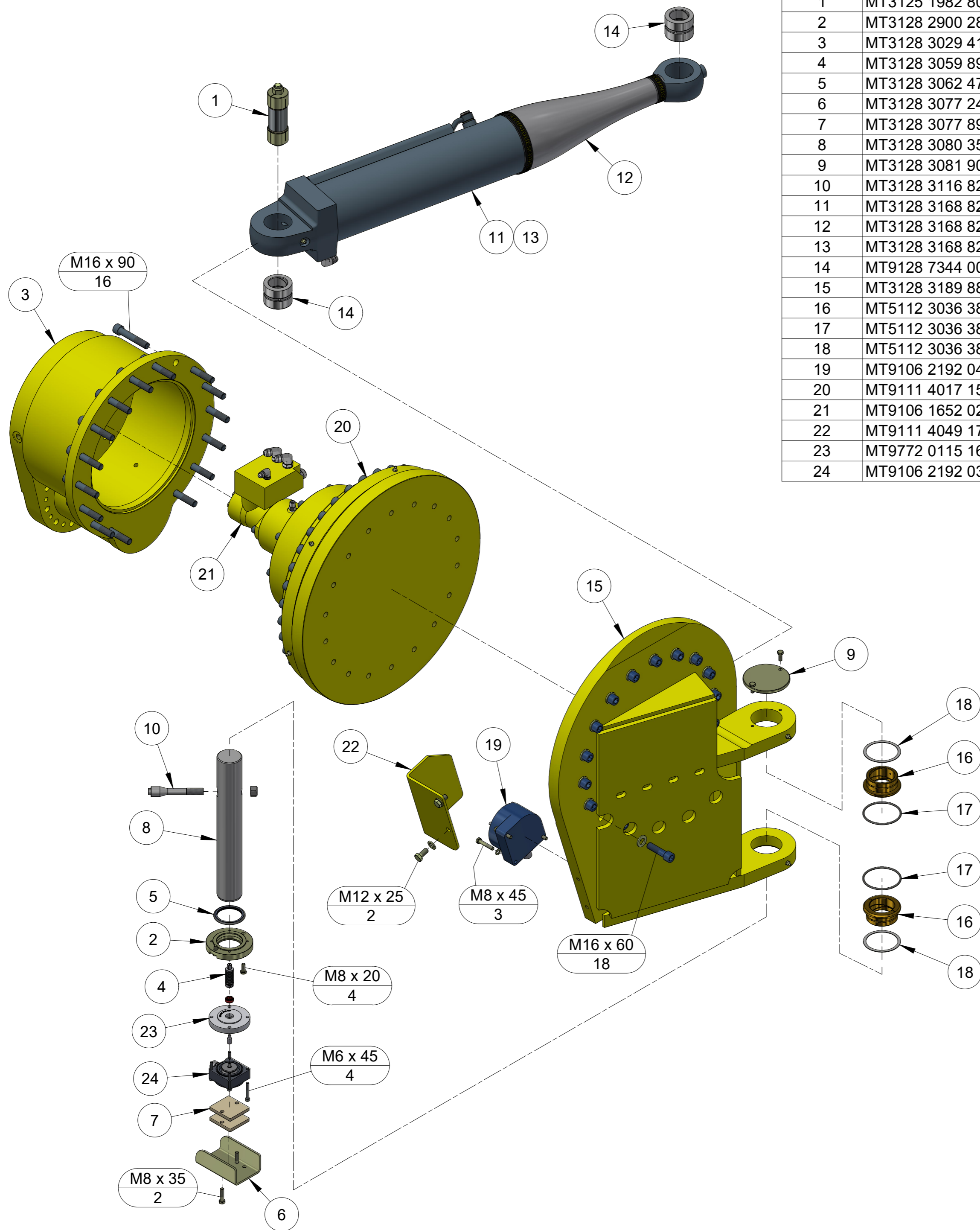
ITEM	PART NUMBER	DESCRIPTION	QTY	COMMENTS
1	MT0102 0460 00	PIN	4	
2	MT3125 3071 81	EXPANDING SHAFT	2	
3	MT3128 2900 19	COVER	1	
4	MT3128 2900 22	COVER	1	
5	MT3128 3059 89	BELLOWS COUPLING	1	
6	MT3128 3060 42P	CYLINDER GUARD	2	
7	MT3128 3060 42S	CYLINDER	2	Service ex.
8	MT0335 2171 00	CIRCLIP	4	
9	MT0501 0020 00	SPHERICAL BEARING	2	
10	MT9120 0994 01	SEAL KIT	2	Includes washers & o-rings
11	MT9127 2299 01	TRANSFER TUBE	2	
12	MT9127 2300 00	BANJO BOLT	2	
13	MT9128 7346 00	BUSH	2	
14	MT3128 3060 42SK	SEAL KIT	2	
15	MT3128 3062 49	SEAL	1	
16	MT3128 3069 50	SHAFT	1	
17	MT3128 3070 32S	BOOM BODY	1	Service ex.
18	MT3128 3038 96	BUSH	2	
19	MT3128 3060 42W	WELD ON PLATE	2	
20	MT3128 3077 24	RESOLVER COVER	1	
21	MT3128 3077 89	FOAM BLOCK	2	
22	MT3128 2582 151	GUIDE BASE	1	
23	MT3128 3117 011	BUSH	2	
24	MT3128 3140 361	GUIDE TOP	1	
25	MT3128 3140 36P	WEAR PIECE	1	
26	MT9106 2192 03	ANGLE SENSOR	1	
27	MT9110 8892 30P	CYLINDER COVER	2	
28	MT9111 4221 11P	PROTECTION	1	

PART NUMBER <b>MT3128 0016 253</b>	DESCRIPTION <b>BOOM BODY M7C</b>
MT Parts: 0407 059 610 1 Haesy Circuit, Roseworthy S.A. 5371 171 Dugan Street, Kalgoorlie W.A. 6430 <a href="mailto:parts@mtunderground.com">parts@mtunderground.com</a> <a href="http://www.mtunderground.com">www.mtunderground.com</a>	
UNDERGROUND DRILL RELIABILITY	
PAGE <b>4.2</b>	

ITEM	PART NUMBER	DESCRIPTION	QTY	COMMENTS
1	MT0102 0460 00	PIN	4	
2	MT3125 4873 01S	EXTENSION TUBE	1	Service ex.
3	MT0102 0410 00	PIN	2	
4	MT3125 4889 03S	BEARING HOUSING	1	Service ex.
5	MT3128 2091 00	BUSHING SEGMENT	6	
6	MT3128 2092 01	COVER	2	
7	MT3128 2093 01	SEAL	2	
8	MT3128 2094 01	WASHER	2	
9	MT3155 2189 01	CRADLE - BRONZE	6	
10	MT3125 4921 900	KEY - SET	3	
11	MT3128 2093 02	SEAL	1	
12	MT3128 2592 00S	CYLINDER	1	Service ex.
13	MT3128 2592 18	SEAL KIT	1	
14	MT3176 7714 00	BUSH	1	
15	MT3155 1772 80	EXPANDING SHAFT	1	
16	MT3125 4873 01BK	BOLT KIT	1	



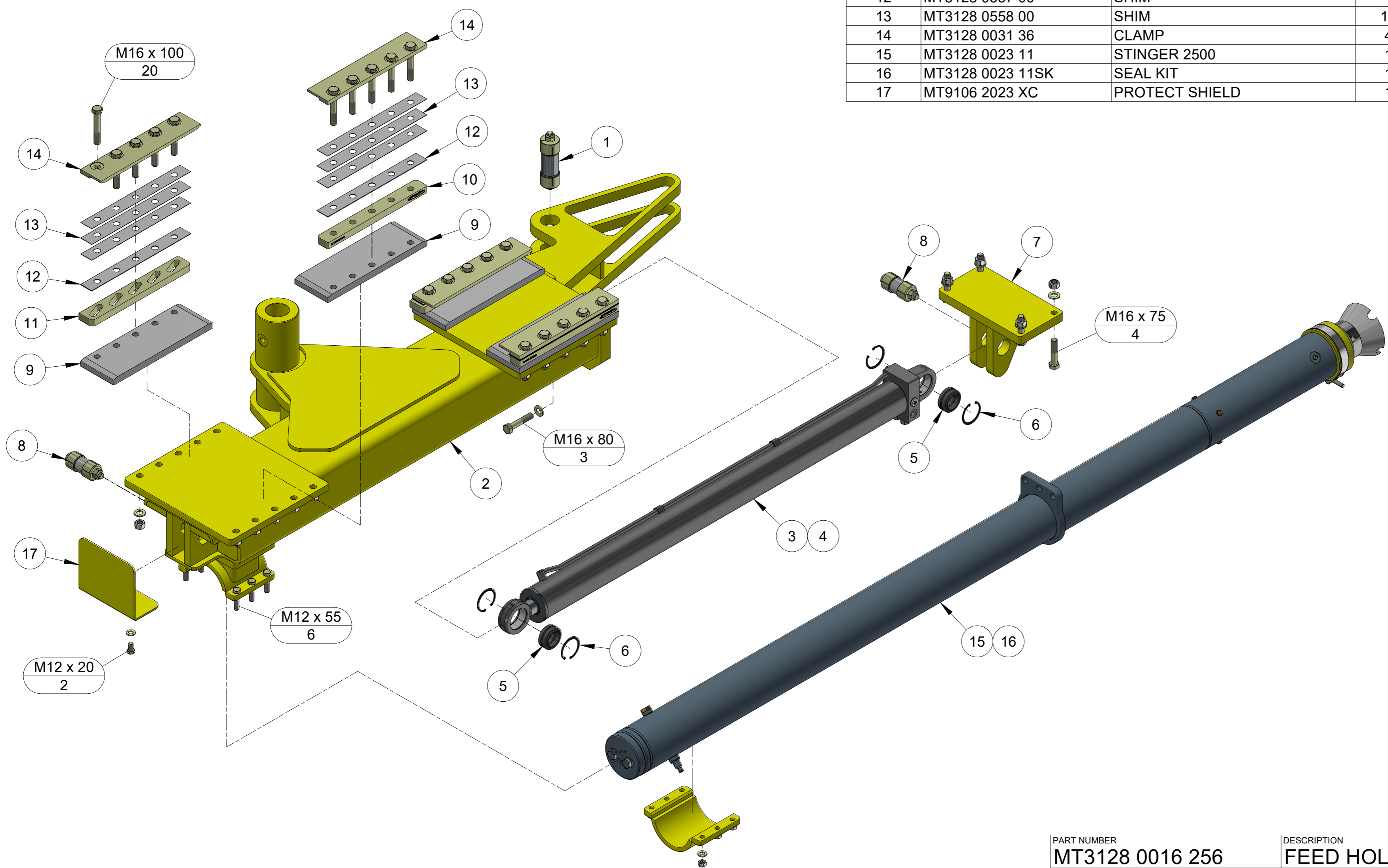
PART NUMBER <b>MT3128 0016 254</b>	DESCRIPTION <b>ZOOM M7C</b>
	
MT Parts: 0407 059 610 1 Haehy Circuit, Roseworthy S.A. 5371 171 Dugan Street, Kalgoorlie W.A. 6430 <a href="mailto:parts@mtunderground.com">parts@mtunderground.com</a> <a href="http://www.mtunderground.com">www.mtunderground.com</a>	
PAGE	<b>4.3</b>



ITEM	PART NUMBER	DESCRIPTION	QTY	COMMENTS
1	MT3125 1982 80	EXPANDING SHAFT	1	
2	MT3128 2900 28	COVER	1	Includes seal
3	MT3128 3029 41S	ATTACHMENT	1	Service ex.
4	MT3128 3059 89	BELLOWS COUPLING	1	
5	MT3128 3062 47	SEAL	1	
6	MT3128 3077 24	COVER	1	
7	MT3128 3077 89	FOAM BLOCK	2	
8	MT3128 3080 35	SHAFT	1	
9	MT3128 3081 90	COVER	1	
10	MT3128 3116 82	BOLT	1	Includes M16 nut
11	MT3128 3168 82S	CYLINDER	1	Service ex.
12	MT3128 3168 82MP	CYLINDER COVER	1	
13	MT3128 3168 82SK	SEAL KIT	1	
14	MT9128 7344 00	BUSH	2	
15	MT3128 3189 88S	BRACKET	1	Service ex.
16	MT5112 3036 38	PLAIN BEARING	2	Includes o-ring
17	MT5112 3036 38O	O-RING	2	
18	MT5112 3036 38S	SHIM	2	Use as required
19	MT9106 2192 04	INCLINOMETER	1	
20	MT9111 4017 15S	TURNING DEVICE	1	Service ex.
21	MT9106 1652 02	MOTOR	1	
22	MT9111 4049 17	COVER	1	
23	MT9772 0115 16	RESOLVER SEAL KIT	1	Includes 4 x M6x45 S/S SHCS
24	MT9106 2192 03	ANGLE SENSOR	1	

PART NUMBER <b>MT3128 0016 255</b>	DESCRIPTION <b>TURNING DEVICE M7C</b>
	
MT Parts: 0407 059 610 1 Haesy Circuit, Roseworthy S.A. 5371 171 Dugan Street, Kalgoorlie W.A. 6430 <a href="mailto:parts@mtunderground.com">parts@mtunderground.com</a> <a href="http://www.mtunderground.com">www.mtunderground.com</a>	
PAGE	<b>4.4</b>

ITEM	PART NUMBER	DESCRIPTION	QTY	COMMENTS
1	MT3125 1982 80	EXPANDING SHAFT	1	
2	MT3128 3126 18S	FEED HOLDER	1	Service ex.
3	MT3128 3115 28S	HYDRAULIC CYLINDER	1	Service ex.
4	MT3128 3115 28SK	SEAL KIT	1	
5	MT9125 9552 00	SPHERICAL BEARING	2	
6	MT0335 2204 00	CIRCLIP	4	
7	MT3128 3113 49	CYLINDER BRACKET	1	
8	MT3128 3115 75	EXPANDING SHAFT	2	
9	MT3128 0554 02	WEAR PLATE	4	
10	MT3128 0556 01	GUIDE STRIP	2	
11	MT3128 0553 01	GUIDE STRIP	2	
12	MT3128 0557 00	SHIM	4	1.5mm
13	MT3128 0558 00	SHIM	12	0.5mm
14	MT3128 0031 36	CLAMP	4	
15	MT3128 0023 11	STINGER 2500	1	
16	MT3128 0023 11SK	SEAL KIT	1	
17	MT9106 2023 XC	PROTECT SHIELD	1	



PART NUMBER <b>MT3128 0016 256</b>	DESCRIPTION <b>FEED HOLDER M7C</b>
	<b>MAINTENANCE TECHNIQUE</b> <small>UNDERGROUND DRILL RELIABILITY</small>
MT Parts: 0407 059 610 1 Hahey Circuit, Roseworthy S.A. 5371 171 Dugan Street, Kalgoorlie W.A. 6430 <a href="mailto:parts@mtunderground.com">parts@mtunderground.com</a> <small>PAGE</small> <a href="http://www.mtunderground.com">www.mtunderground.com</a> <b>4.5</b>	