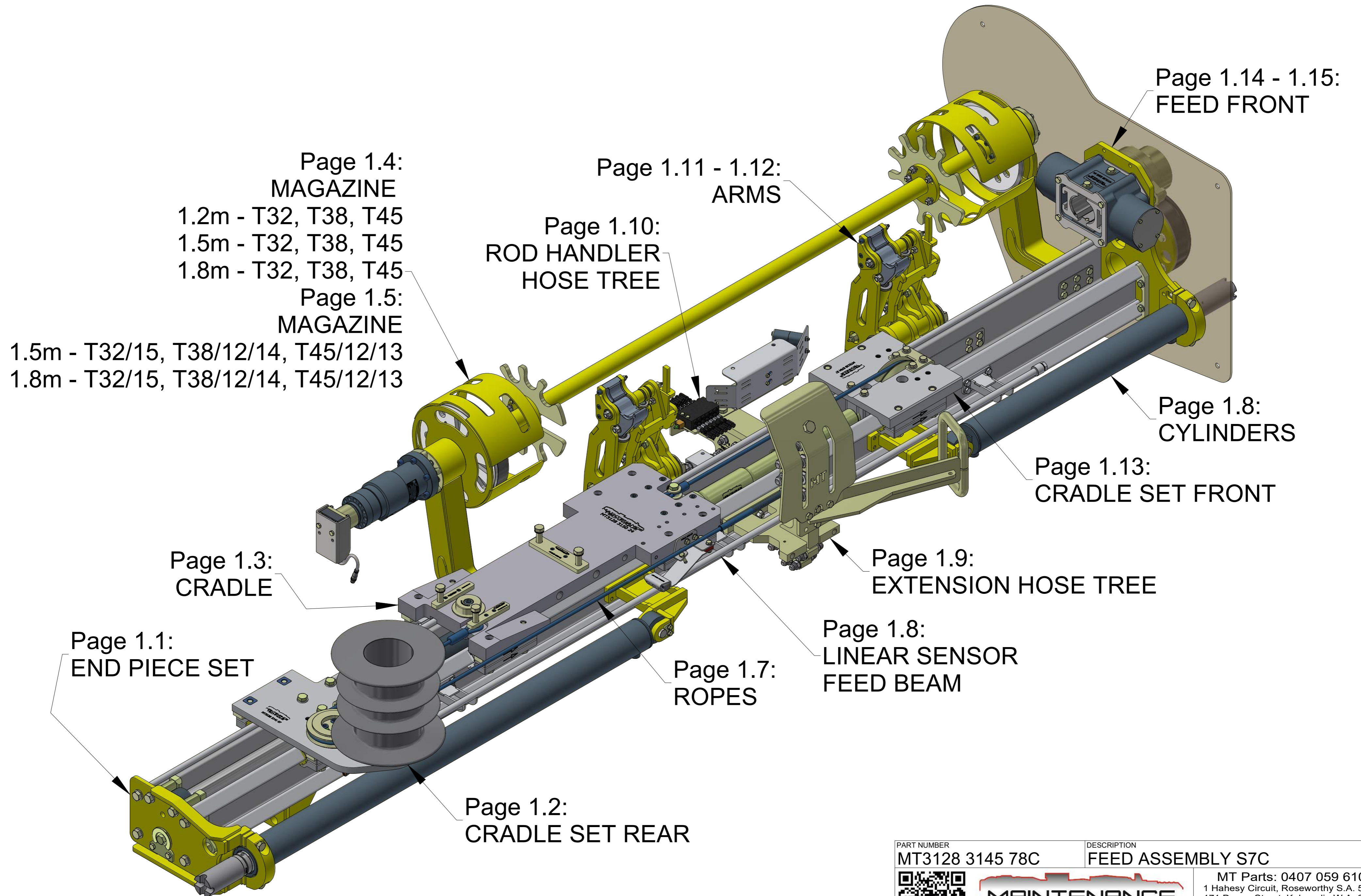


Section 1:
FEED

Section 2:
BOOM

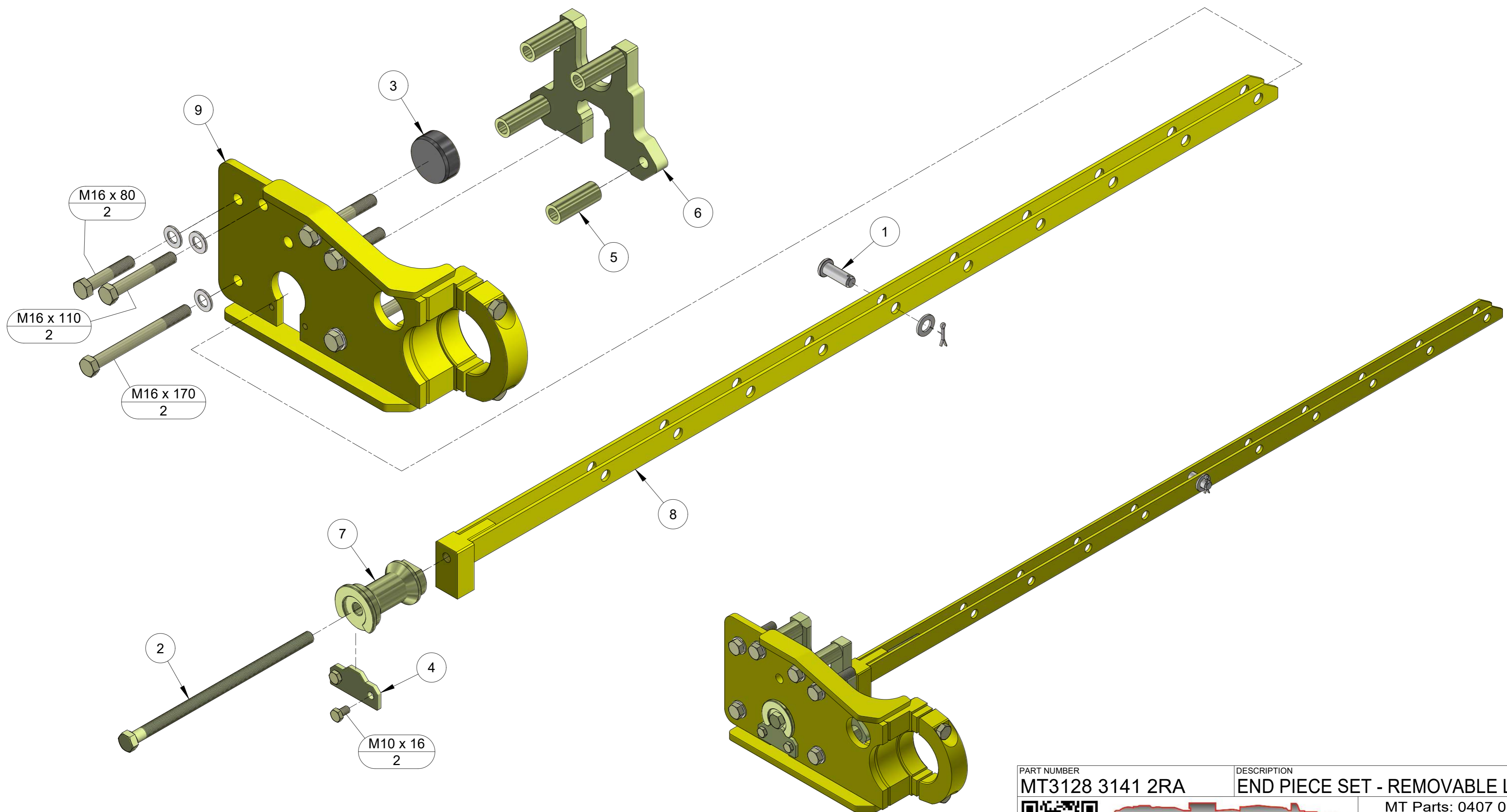
PART NUMBER	DESCRIPTION
MTS7C RHS09-15 CA	BOOM - FEED ASSEMBLY
	<p>MT Parts: 0407 059 610 1 Haesy Circuit, Roseworthy S.A. 5371 171 Dugan Street, Kalgoorlie W.A. 6430 parts@mtunderground.com www.mtunderground.com</p>
 <p>MAINTENANCE TECHNIQUE UNDERGROUND DRILL RELIABILITY</p>	

SECTION 1: FEED

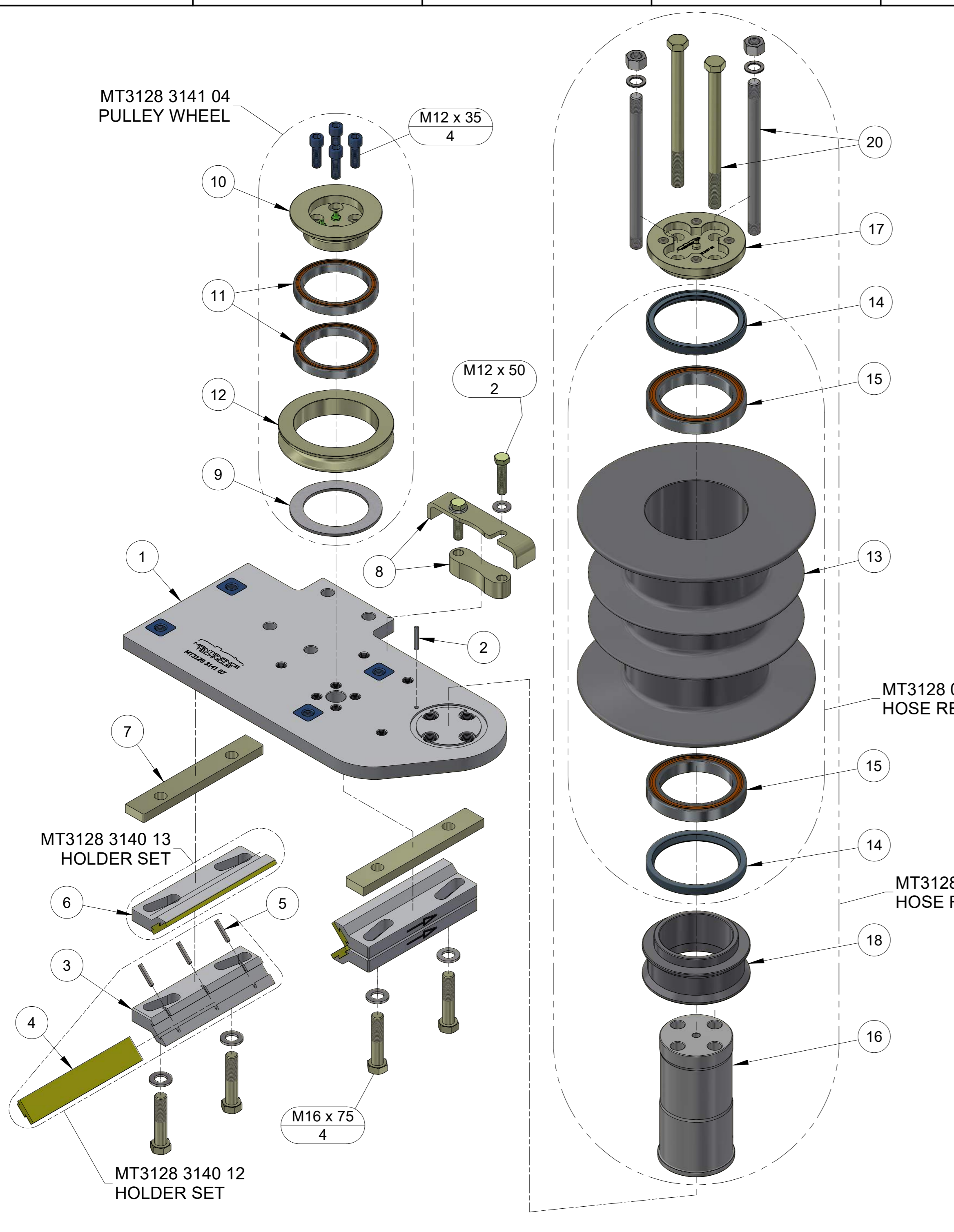


PART NUMBER	MT3128 3145 78C	DESCRIPTION	FEED ASSEMBLY S7C
			
		MT Parts: 0407 059 610 1 Haesy Circuit, Roseworthy S.A. 5371 171 Dugan Street, Kalgoorlie W.A. 6430 parts@mtunderground.com www.mtunderground.com	

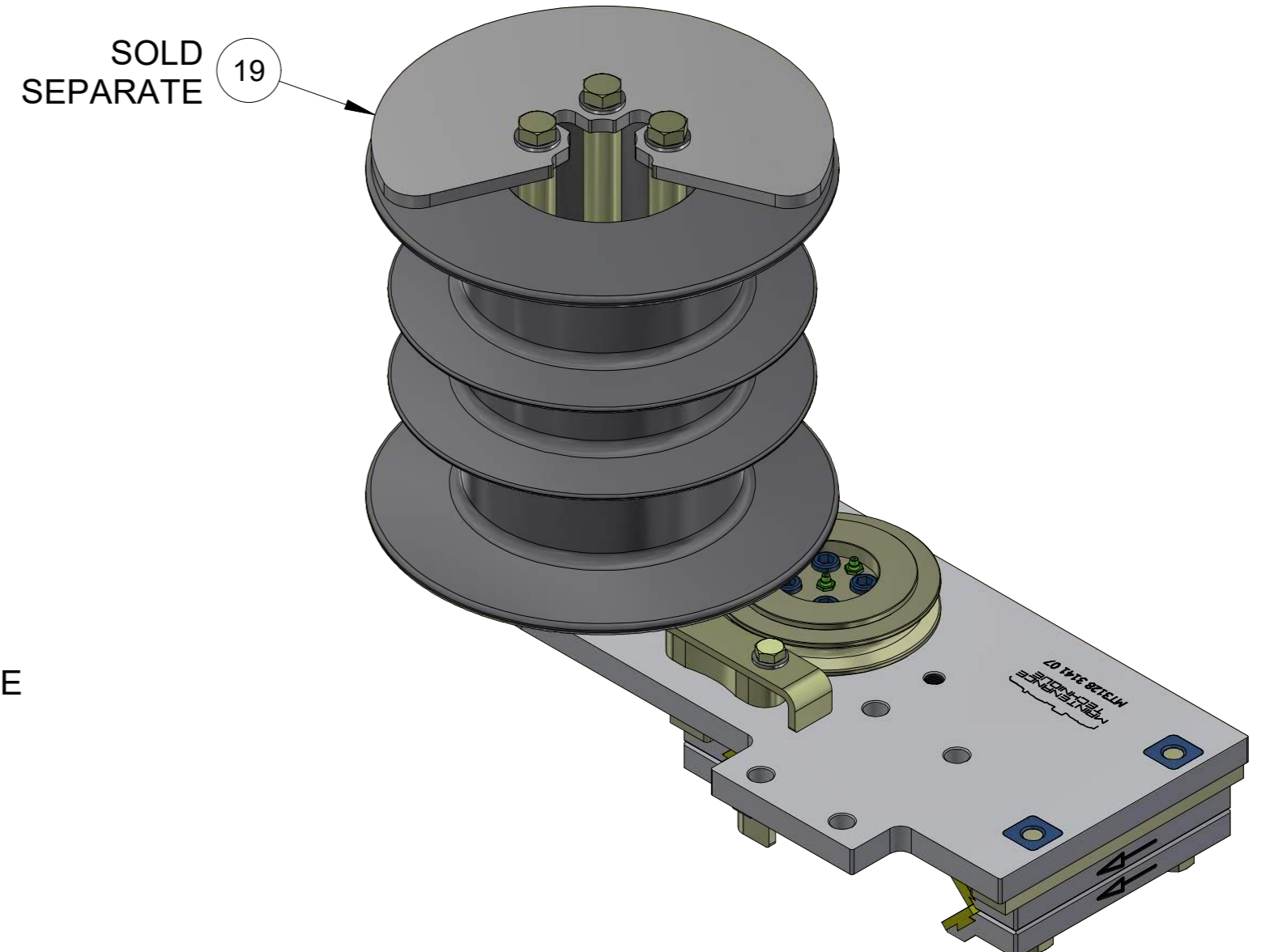
ITEM	PART NUMBER	DESCRIPTION	QTY	COMMENTS
1	MT0113 3238 00	PIN	1	Includes washer & split pin
2	MT0147 1958 29	SET SCREW	1	
3	MT3125 0639 00	BUFFER - REAR	1	
4	MT3128 0476 0R	WASHER PLATE	1	
5	MT3128 3051 75	PIPE	4	
6	MT3128 3051 7R	END PIECE	1	
7	MT3128 3051 8S	SPACER	1	
8	MT3128 3135 91	ROPE LADDER	1	
9	MT9111 4363 01	ATTACHMENT PLATE	1	
10	MT3128 3141 2RBK	BOLT KIT	1	



PART NUMBER	DESCRIPTION
MT3128 3141 2RA	END PIECE SET - REMOVABLE LADDER
	
	
MT Parts: 0407 059 610 1 Haehy Circuit, Roseworthy S.A. 5371 171 Dugan Street, Kalgoorlie W.A. 6430 parts@mtunderground.com www.mtunderground.com	
PAGE	1.1




ITEM	PART NUMBER	DESCRIPTION	QTY	COMMENTS
1	MT3128 3141 07	CRADLE PLATE - REAR	1	
2	MT0101 1951 28	PIN	1	
3	MT3128 0785 48	SLIDE HOLDER RH	2	
4	MT3128 3039 30	NYLON SLIDE SOFT	4	Yellow
4.1	MT3128 3039 31	NYLON SLIDE MID	0	Blue
4.2	MT3128 3074 88	NYLON SLIDE HARD	0	Grey
5	MT3128 0619 00	SLIDE KEY	12	
6	MT3128 0785 49	SLIDE HOLDER LH	2	
7	MT3128 3141 02	SPACER	2	
8	MT3128 3141 03	GUIDE ASSEMBLY	1	
9	MT0324 1550 65	BACK-UP RING	1	
10	MT3128 2561 65	SHAFT	1	
11	MT3128 2561 66B	BEARING	2	
12	MT3128 2561 67	PULLEY - REAR	1	
13	MT3128 0475 09E	HOSE REEL - EXTENDED	1	
14	MT0666 6718 00	RADIAL LIP SEAL	2	
15	MT3128 0475 10B	HOSE REEL BEARING	2	
16	MT3128 0486 00	SHAFT	1	
17	MT3128 0497 00	CAP	1	
18	MT3128 3141 05	SPACER	1	
19	MT3128 3141 05P	HOSE REEL PROTECTION	0	Not included
20	MT3128 3141 05BK	BOLT KIT	1	
21	MT3128 3141 07BK	BOLT KIT	1	

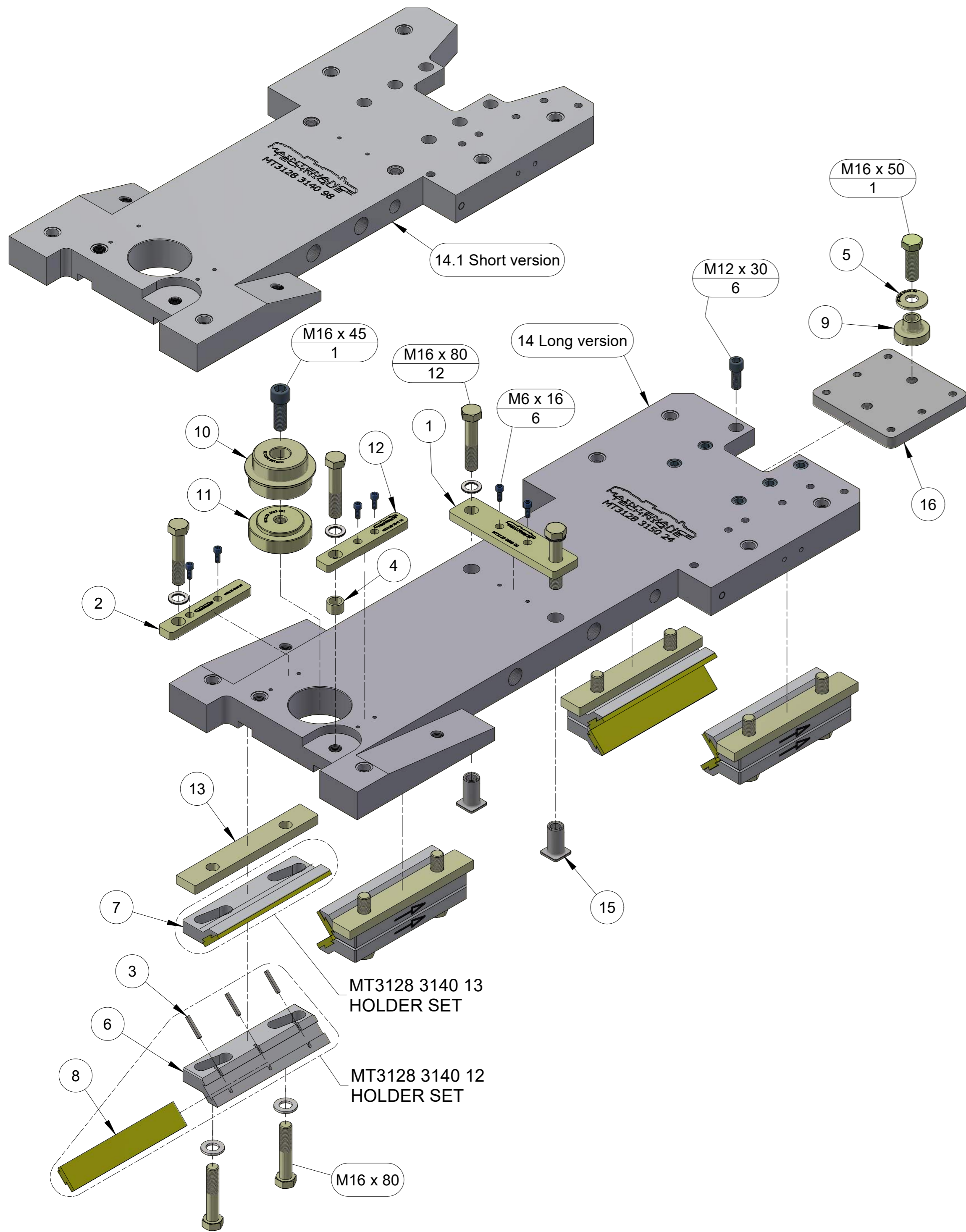


MT3128 0475 10E
HOSE REEL ASSEMBLY

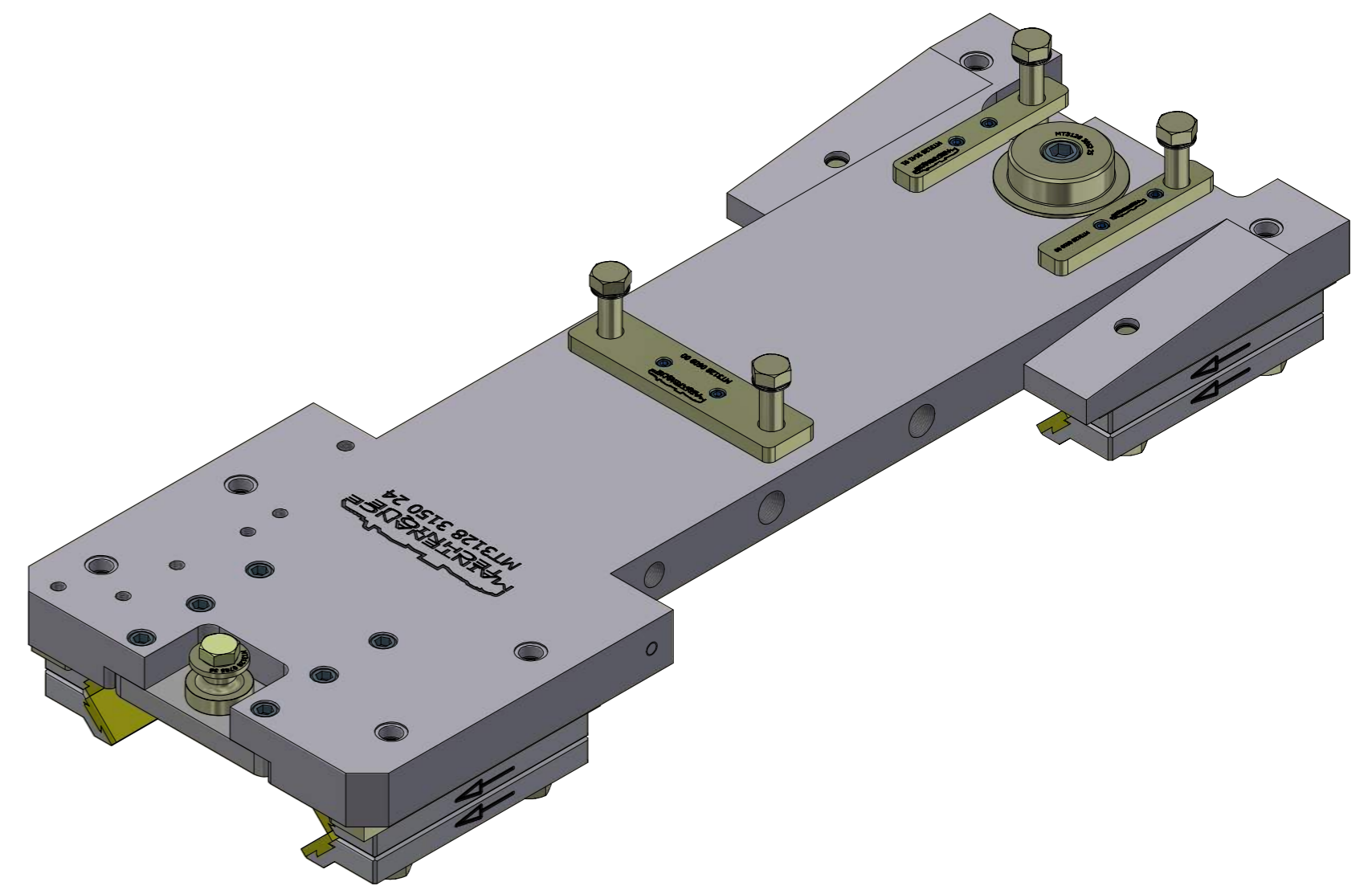
MT3128 3141 05C
HOSE REEL COMPLETE

PART NUMBER MT3128 3141 08	DESCRIPTION CRADLE SET - REAR
	<p>MT Parts: 0407 059 610 1 Haehy Circuit, Roseworthy S.A. 5371 171 Dugan Street, Kalgoorlie W.A. 6430</p> <p>parts@mtunderground.com <small>PAGE</small> www.mtunderground.com 1.2</p>


MAINTENANCE TECHNIQUE
UNDERGROUND DRILL RELIABILITY



ITEM	PART NUMBER	DESCRIPTION	QTY	COMMENTS
1	MT3128 0609 00	SPACER	1	
2	MT3128 0610 00	SPACER	1	
3	MT3128 0619 00	SLIDE KEY	24	
4	MT3128 0785 35	SLEEVE	1	
5	MT3128 0785 36	WASHER	1	
6	MT3128 0785 48	SLIDE HOLDER RH	4	
7	MT3128 0785 49	SLIDE HOLDER LH	4	
8	MT3128 3039 30	NYLON SLIDE SOFT	8	Yellow
8.1	MT3128 3039 31	NYLON SLIDE MID	0	Blue
8.2	MT3128 3074 88	NYLON SLIDE HARD	0	Grey
9	MT3128 3051 49	ATTACHMENT	1	
10	MT3128 3052 25	DRIVER	1	
11	MT3128 3052 251	DRIVER EXTENSION	1	
12	MT3128 3141 01	SPACER	1	
13	MT3128 3141 02	SPACER	4	
14	MT3128 3150 24	CRADLE	1	Extractor
14.1	MT3128 3140 98	CRADLE SHORT	0	Non extractor
15	MT3128 3150 16T	THREAD SECTION	2	
16	MT3128 3150 24P	PLATE	1	Reversible
17	MT3128 3142 78BK	BOLT KIT	1	



PART NUMBER MT3128 3150 25	DESCRIPTION CRADLE COMPLETE
PART NUMBER MT3128 3140 99	DESCRIPTION CRADLE SHORT COMPLETE



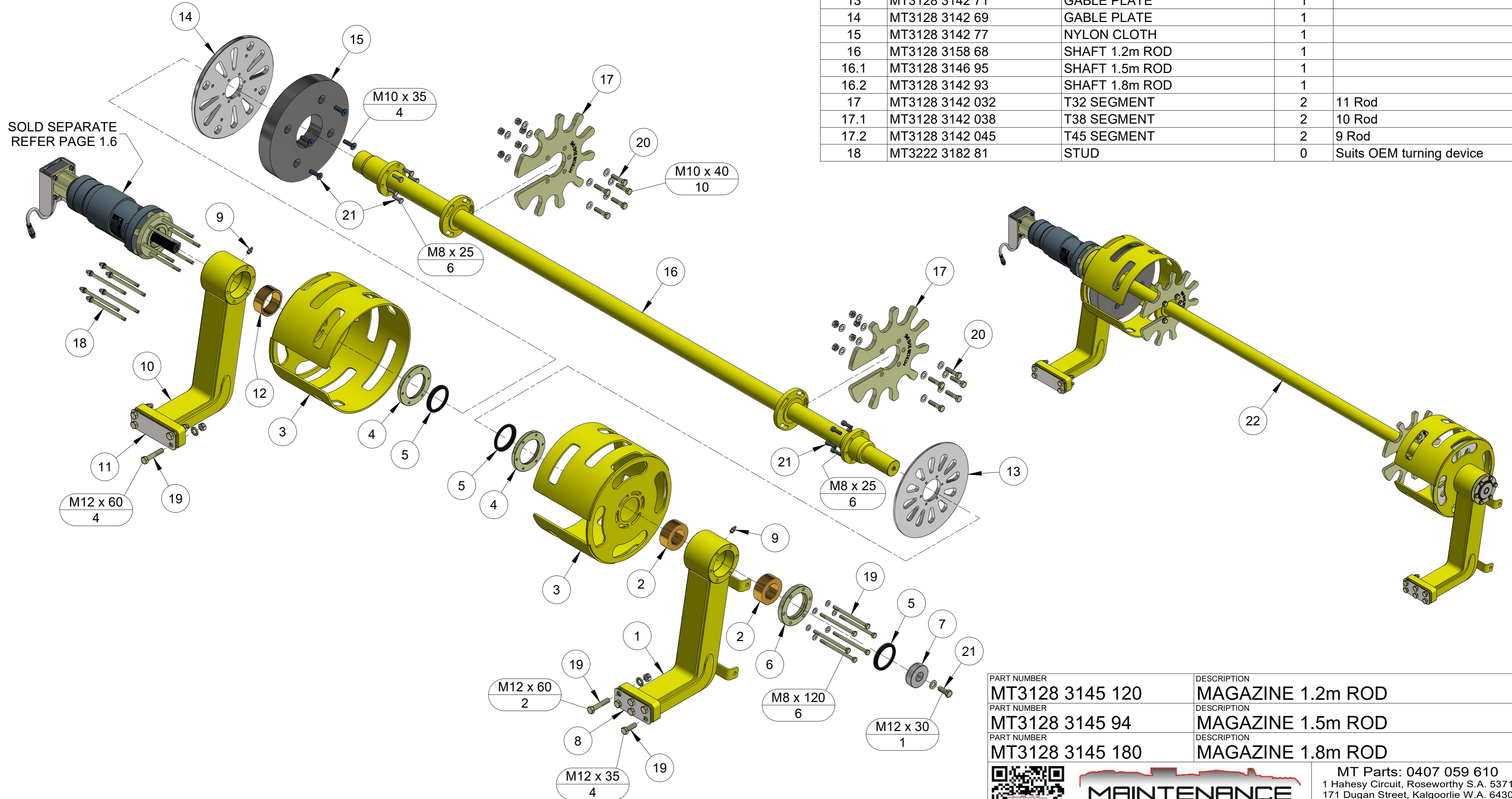
**MAINTENANCE
TECHNIQUE**
UNDERGROUND DRILL RELIABILITY

MT Parts: 0407 059 610
1 Haesy Circuit, Roseworthy S.A. 5371
171 Dugan Street, Kalgoorlie W.A. 6430
parts@mtunderground.com
www.mtunderground.com

PAGE
1.3

ITEM	PART NUMBER	DESCRIPTION	QTY	COMMENTS
19	MT3128 3145 82BK	BOLT KIT	1	
20	MT3128 3142 BK	BOLT KIT - SEGMENT	1	
21	MT3128 3146 95BK	BOLT KIT - SHAFT	1	
22	MT1132 RHS 12C	RHS11 T32 1.2M	1	1.2m with T32 segments
22.1	MT1038 RHS 12C	RHS10 T38 1.2M	1	1.2m with T38 segments
22.2	MT0945 RHS 12C	RHS09 T45 1.2M	1	1.2m with T45 segments
22.3	MT1132 RHS 15C	RHS11 T32 1.5M	1	1.5m with T32 segments
22.4	MT1038 RHS 15C	RHS10 T38 1.5M	1	1.5m with T38 segments
22.5	MT0945 RHS 15C	RHS09 T45 1.5M	1	1.5m with T45 segments
22.6	MT1132 RHS 18C	RHS11 T32 1.8M	1	1.8m with T32 segments
22.7	MT1038 RHS 18C	RHS10 T38 1.8M	1	1.8m with T38 segments
22.8	MT0945 RHS 18C	RHS09 T45 1.8M	1	1.8m with T45 segments

ITEM	PART NUMBER	DESCRIPTION	QTY	COMMENTS
1	MT9111 4363 62	BRACKET	1	
2	MT3128 2400 00	BUSHING	2	
3	MT3128 3142 91	PROTECTION	2	
4	MT3128 2398 00	RING	2	
5	MT0665 9100 16	WIPER	3	
6	MT3128 2401 00	RING	1	
7	MT3128 2401 00W	SEALING WASHER	1	
8	MT9111 4363 62W	WASHER PLATE	1	
9	MT0544 2162 00	GREASE NIPPLE	2	
10	MT3128 3142 85	BRACKET	1	
11	MT3128 3141 11	WASHER PLATE	1	
12	MT3128 2400 002	BUSHING	1	
13	MT3128 3142 71	GABLE PLATE	1	
14	MT3128 3142 69	GABLE PLATE	1	
15	MT3128 3142 77	NYLON CLOTH	1	
16	MT3128 3158 68	SHAFT 1.2m ROD	1	
16.1	MT3128 3146 95	SHAFT 1.5m ROD	1	
16.2	MT3128 3142 93	SHAFT 1.8m ROD	1	
17	MT3128 3142 032	T32 SEGMENT	2	11 Rod
17.1	MT3128 3142 038	T38 SEGMENT	2	10 Rod
17.2	MT3128 3142 045	T45 SEGMENT	2	9 Rod
18	MT3222 3182 81	STUD	0	Suits OEM turning device



PART NUMBER MT3128 3145 120	DESCRIPTION MAGAZINE 1.2m ROD
PART NUMBER MT3128 3145 94	DESCRIPTION MAGAZINE 1.5m ROD
PART NUMBER MT3128 3145 180	DESCRIPTION MAGAZINE 1.8m ROD



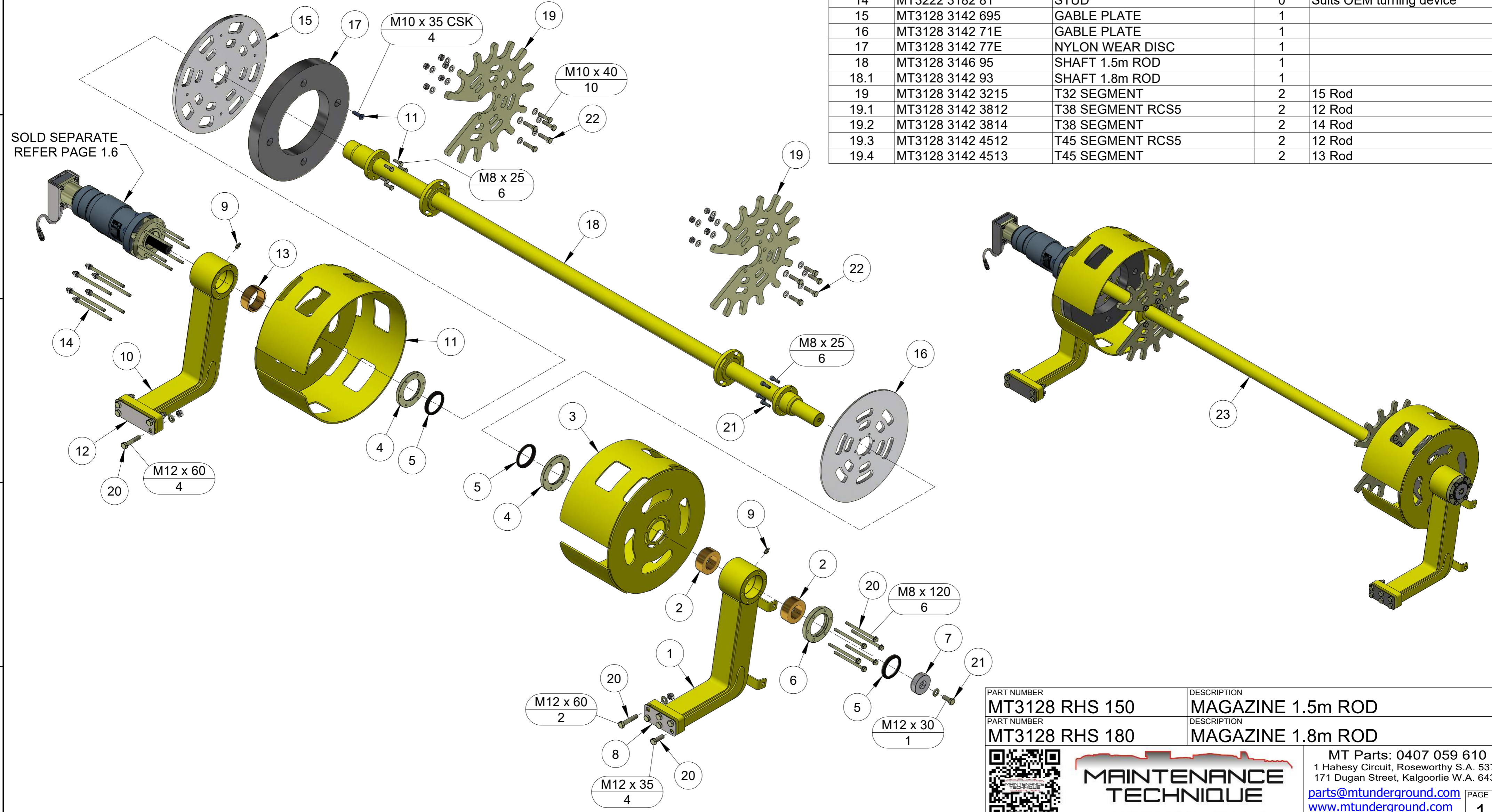
**MAINTENANCE
TECHNIQUE**
UNDERGROUND DRILL RELIABILITY

MT Parts: 0407 059 610
1 Haesy Circuit, Roseworthy S.A. 5371
171 Dugan Street, Kalgoorlie W.A. 6430
parts@mtunderground.com
www.mtunderground.com

PAGE
1.4

ITEM	PART NUMBER	DESCRIPTION	QTY	COMMENTS
20	MT3128 3145 82BK	BOLT KIT	1	
21	MT3128 3146 9EBK	BOLT KIT - SHAFT	1	
22	MT3128 3142 BK	BOLT KIT - SEGMENT	1	
23	MT1532 RHS 15C	RHS15 T32 1.5M	1	1.5m with T32 segments
23.1	MT1238 RHS 15C	RHS12 T38 1.5M RCS5	1	1.5m with T38 segments
23.2	MT1438 RHS 15C	RHS14 T38 1.5M	1	1.5m with T38 segments
23.3	MT1245 RHS 15C	RHS12 T45 1.5M RCS5	1	1.5m with T45 segments
23.4	MT1345 RHS 15C	RHS13 T45 1.5M	1	1.5m with T45 segments
23.5	MT1532 RHS 18C	RHS15 T32 1.8M	1	1.8m with T32 segments
23.6	MT1238 RHS 18C	RHS12 T38 1.8M RCS5	1	1.8m with T38 segments
23.7	MT1438 RHS 18C	RHS14 T38 1.8M	1	1.8m with T38 segments
23.8	MT1245 RHS 18C	RHS12 T45 1.8M RCS5	1	1.8m with T45 segments
23.9	MT1345 RHS 18C	RHS13 T45 1.8M	1	1.8m with T45 segments

ITEM	PART NUMBER	DESCRIPTION	QTY	COMMENTS
1	MT9111 4363 62E	BRACKET	1	
2	MT3128 2400 00	BUSHING	2	
3	MT3128 3142 91E	PROTECTION	1	
4	MT3128 2398 00	RING	2	
5	MT0665 9100 16	WIPER	3	
6	MT3128 2401 00	RING	1	
7	MT3128 2401 00W	SEALING WASHER	1	
8	MT9111 4363 62W	WASHER PLATE	1	
9	MT0544 2162 00	GREASE NIPPLE	2	
10	MT3128 3142 85E	BRACKET	1	
11	MT3128 3142 91F	PROTECTION	1	
12	MT3128 3141 11	WASHER PLATE	1	
13	MT3128 2400 002	BUSHING	1	
14	MT3222 3182 81	STUD	0	Suits OEM turning device
15	MT3128 3142 695	GABLE PLATE	1	
16	MT3128 3142 71E	GABLE PLATE	1	
17	MT3128 3142 77E	NYLON WEAR DISC	1	
18	MT3128 3146 95	SHAFT 1.5m ROD	1	
18.1	MT3128 3142 93	SHAFT 1.8m ROD	1	
19	MT3128 3142 3215	T32 SEGMENT	2	15 Rod
19.1	MT3128 3142 3812	T38 SEGMENT RCS5	2	12 Rod
19.2	MT3128 3142 3814	T38 SEGMENT	2	14 Rod
19.3	MT3128 3142 4512	T45 SEGMENT RCS5	2	12 Rod
19.4	MT3128 3142 4513	T45 SEGMENT	2	13 Rod



PART NUMBER MT3128 RHS 150	DESCRIPTION MAGAZINE 1.5m ROD
PART NUMBER MT3128 RHS 180	DESCRIPTION MAGAZINE 1.8m ROD





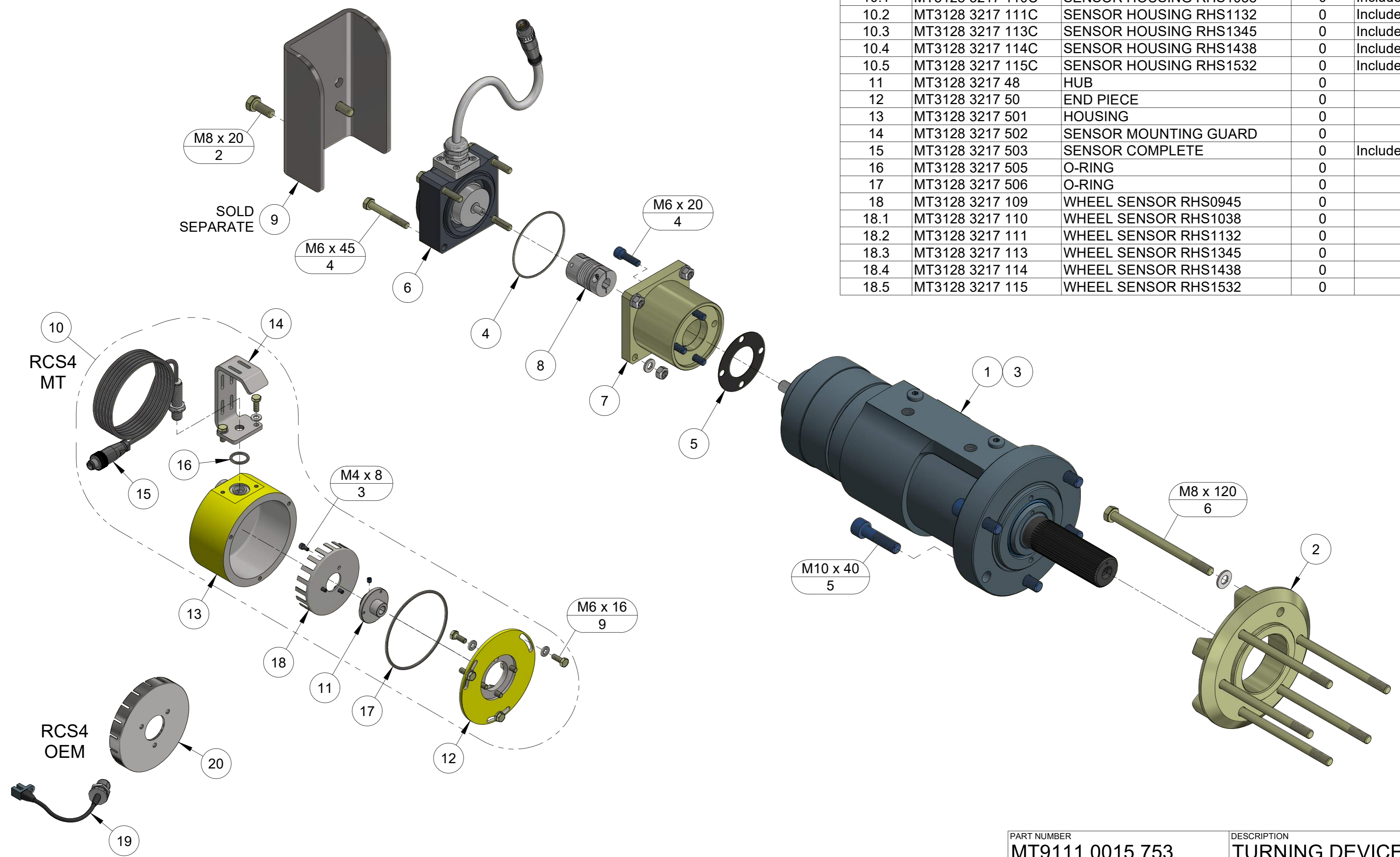
UNDERGROUND DRILL RELIABILITY

MT Parts: 0407 059 610
1 Haehy Circuit, Roseworthy S.A. 5371
171 Dugan Street, Kalgoorlie W.A. 6430
parts@mtunderground.com
www.mtunderground.com

PAGE 1.5

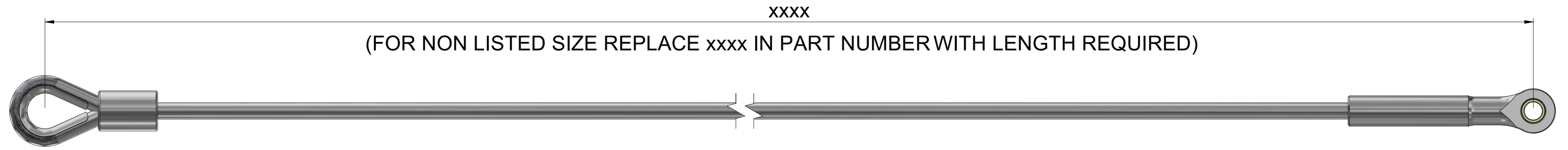
ITEM	PART NUMBER	DESCRIPTION	QTY	COMMENTS
19	MT9111 3739 12	SENSOR SET	0	Pre inductive sensor upgrade
20	MT3128 3217 45	WHEEL SENSOR RHS0945	0	Pre inductive sensor upgrade
20.1	MT3128 3217 56	WHEEL SENSOR RHS1038	0	Pre inductive sensor upgrade
20.2	MT3128 3217 32	WHEEL SENSOR RHS1132	0	Pre inductive sensor upgrade
20.3	MT3128 3217 513	WHEEL SENSOR RHS1345	0	Pre inductive sensor upgrade
20.4	MT3128 3217 514	WHEEL SENSOR RHS1438	0	Pre inductive sensor upgrade
20.5	MT3128 3217 515	WHEEL SENSOR RHS1532	0	Pre inductive sensor upgrade

ITEM	PART NUMBER	DESCRIPTION	QTY	COMMENTS
1	MT3128 3219 443	TURNING DEVICE - MT HT UNIT	1	Includes bolts & item 2 adaptor
2	MT3128 3219 442	MOTOR ADAPTOR	1	Includes M8x120 bolts
3	MT3128 3219 447	SEAL KIT	1	
4	MT0663 9045 00	O-RING	1	
5	MT3128 3217 83	GASKET	1	
6	MT9106 9755 91	ANGLE SENSOR	1	RCS5
7	MT9111 0015 76	SENSOR BRACKET	1	
8	MT9111 0015 80	COUPLING	1	
9	MT3128 3077 24	RESOLVER COVER	0	Sold separate
10	MT3128 3217 109C	SENSOR HOUSING RHS0945	0	Includes wheel sensor
10.1	MT3128 3217 110C	SENSOR HOUSING RHS1038	0	Includes wheel sensor
10.2	MT3128 3217 111C	SENSOR HOUSING RHS1132	0	Includes wheel sensor
10.3	MT3128 3217 113C	SENSOR HOUSING RHS1345	0	Includes wheel sensor
10.4	MT3128 3217 114C	SENSOR HOUSING RHS1438	0	Includes wheel sensor
10.5	MT3128 3217 115C	SENSOR HOUSING RHS1532	0	Includes wheel sensor
11	MT3128 3217 48	HUB	0	
12	MT3128 3217 50	END PIECE	0	
13	MT3128 3217 501	HOUSING	0	
14	MT3128 3217 502	SENSOR MOUNTING GUARD	0	
15	MT3128 3217 503	SENSOR COMPLETE	0	Includes plug & 2.4m cable
16	MT3128 3217 505	O-RING	0	
17	MT3128 3217 506	O-RING	0	
18	MT3128 3217 109	WHEEL SENSOR RHS0945	0	
18.1	MT3128 3217 110	WHEEL SENSOR RHS1038	0	
18.2	MT3128 3217 111	WHEEL SENSOR RHS1132	0	
18.3	MT3128 3217 113	WHEEL SENSOR RHS1345	0	
18.4	MT3128 3217 114	WHEEL SENSOR RHS1438	0	
18.5	MT3128 3217 115	WHEEL SENSOR RHS1532	0	



PART NUMBER	DESCRIPTION
MT9111 0015 753	TURNING DEVICE COMPLETE RCS5
	
	
MT Parts: 0407 059 610 1 Haehy Circuit, Roseworthy S.A. 5371 171 Dugan Street, Kalgoorlie W.A. 6430 parts@mtunderground.com <small>PAGE</small> www.mtunderground.com <small>1.6</small>	

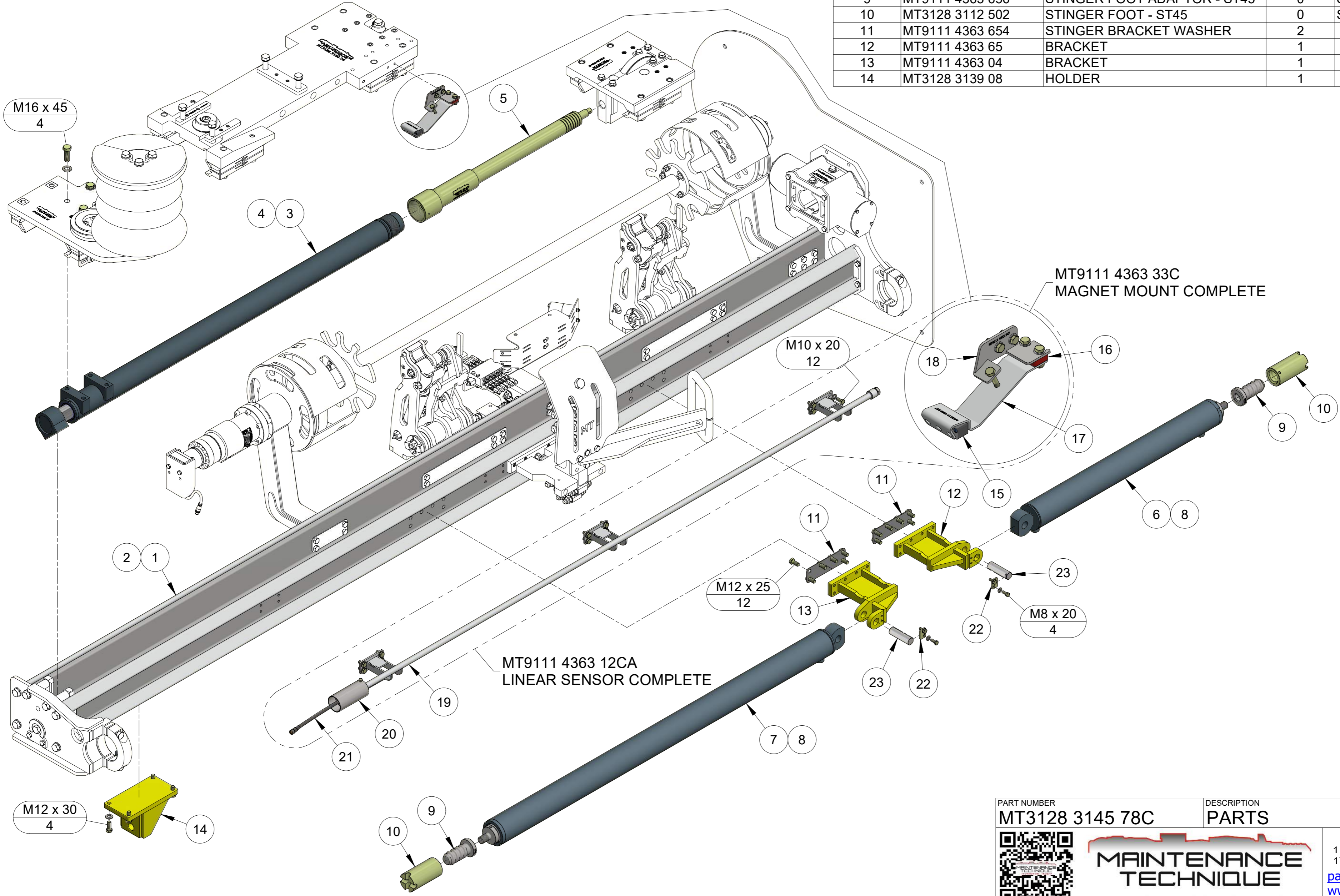
ITEM	PART NUMBER	DESCRIPTION	QTY	COMMENTS
1	MT1128 402F 2F	PULL ROPE - 2840	1	1.2 / 1.5 / 1.8m 1257 S7
2	MT1126 002F 2M	RETURN ROPE - 2600	1	1.5 / 1.8m 1257 S7
3	MT1122 002F 2M	RETURN ROPE - 2200	1	
4	MT1123 202F 2M	RETURN ROPE - 2320	1	1.2m
5	MT1129 002F 2F	PULL ROPE - 2900	1	1.5m
6	MT1126 602F 2M	RETURN ROPE - 2660	1	1.5m
7	MT1131 002F 2M	RETURN ROPE - 3100	1	
8	MT11xx xx2F 2F	PULL ROPE	1	
9	MT11xx xx2F 2M	RETURN ROPE	1	



PART NUMBER	DESCRIPTION	MT Parts: 0407 059 610 1 Haesy Circuit, Roseworthy S.A. 5371 171 Dugan Street, Kalgoorlie W.A. 6430
	ROPES MAINTENANCE TECHNIQUE UNDERGROUND DRILL RELIABILITY	parts@mtunderground.com www.mtunderground.com
		PAGE 1.7

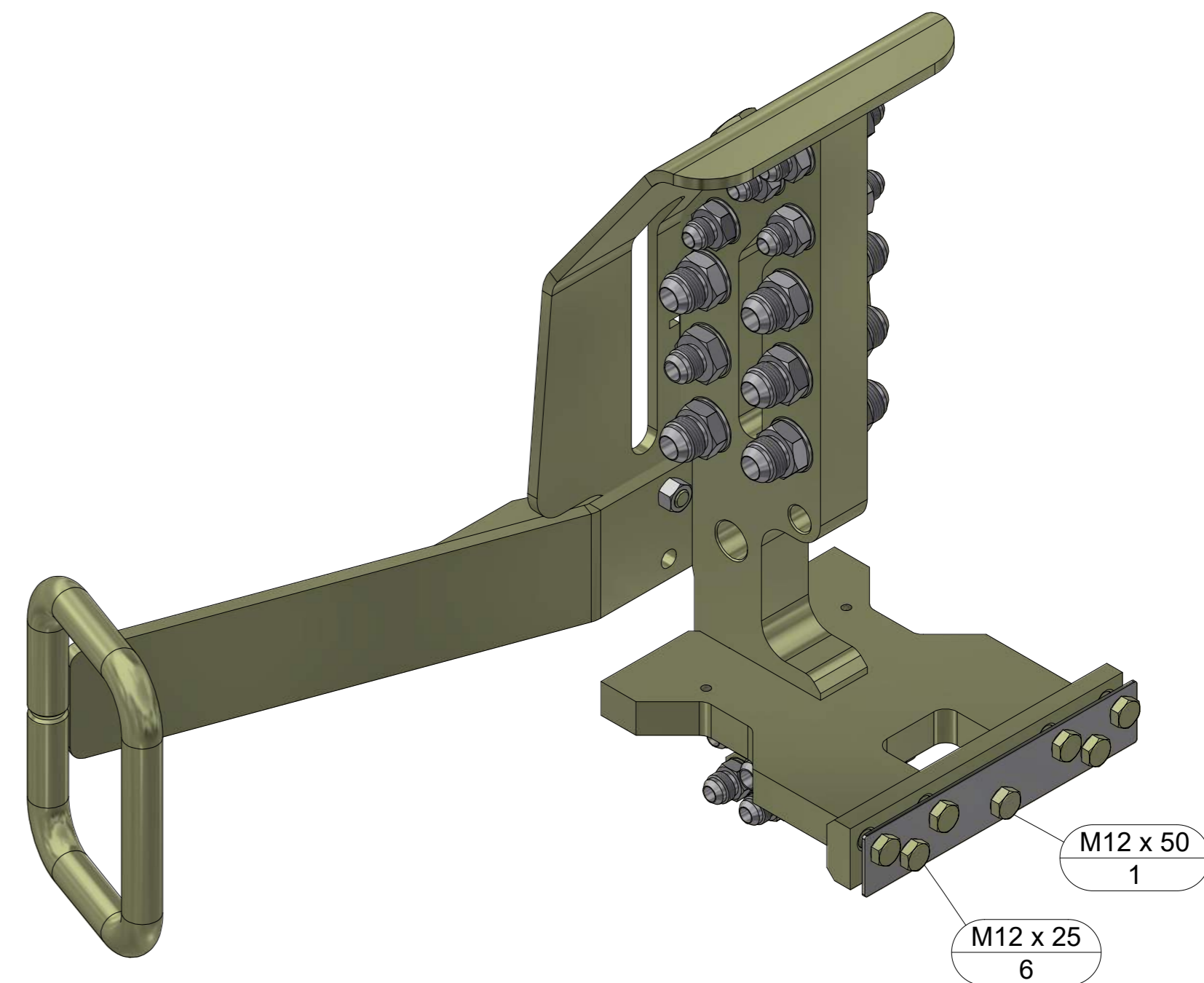
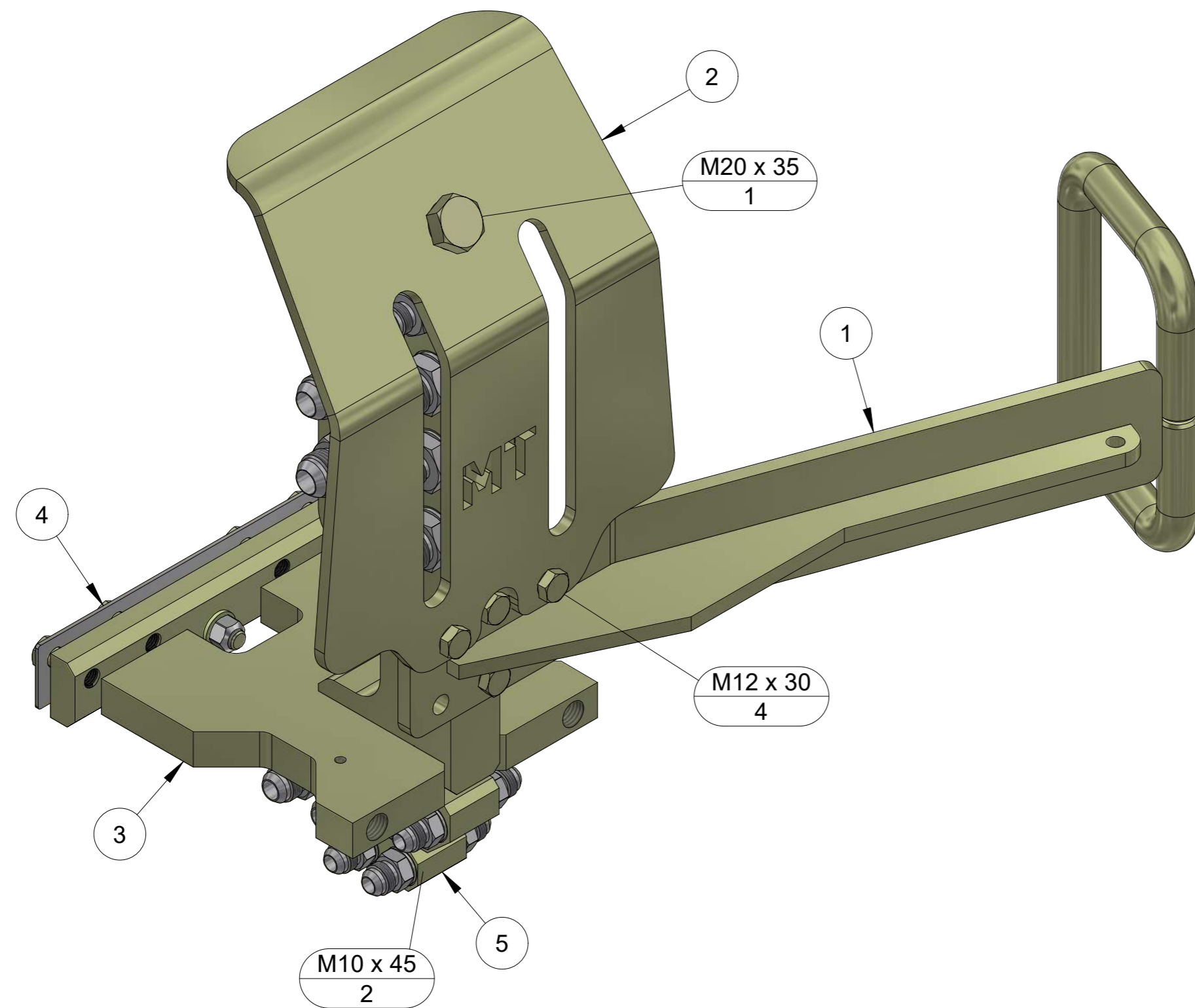
ITEM	PART NUMBER	DESCRIPTION	QTY	COMMENTS
15	MT3128 3105 18	MAGNET	1	Includes nuts & bolts
16	MT3176 5409 002	DAMPER KIT COMPLETE	1	
17	MT9111 4363 357	MAGNET HOLDING BRACKET	1	
18	MT9111 4363 347	CLAMP BAR	1	
19	MT9111 4363 13	SENSOR BRACKET	1	
20	MT3128 0030 19	PROTECT COVER	1	
21	MT9106 2192 17	LINEAR SENSOR RCS4	1	
22	MT3128 2312 15	RETAINING PLATE	2	
23	MT3128 3018 95	SHAFT	2	

ITEM	PART NUMBER	DESCRIPTION	QTY	COMMENTS
1	MT9111 4363 253	FEED BEAM	1	Contact MT with machine specs.
2	MT3128 0458 01	CLIP-ON	4	
3	MT3128 3257 23	FEED CYLINDER	1	Service ex.
4	MT6060 0024 59	SEAL KIT	1	
5	MT3128 0784 730C	SPACER COMPLETE	1	MUX option
5.1	MT3128 0784 580C	SPACER COMPLETE	0	
6	MT9111 4363 66	CYLINDER - STINGER	1	
7	MT3128 3112 50	CYLINDER - STINGER	1	
8	MT3128 3152 63	SEAL KIT	2	
9	MT9111 4363 656	STINGER FOOT ADAPTOR - ST45	0	Sold separate
10	MT3128 3112 502	STINGER FOOT - ST45	0	Sold separate
11	MT9111 4363 654	STINGER BRACKET WASHER	2	
12	MT9111 4363 65	BRACKET	1	
13	MT9111 4363 04	BRACKET	1	
14	MT3128 3139 08	HOLDER	1	

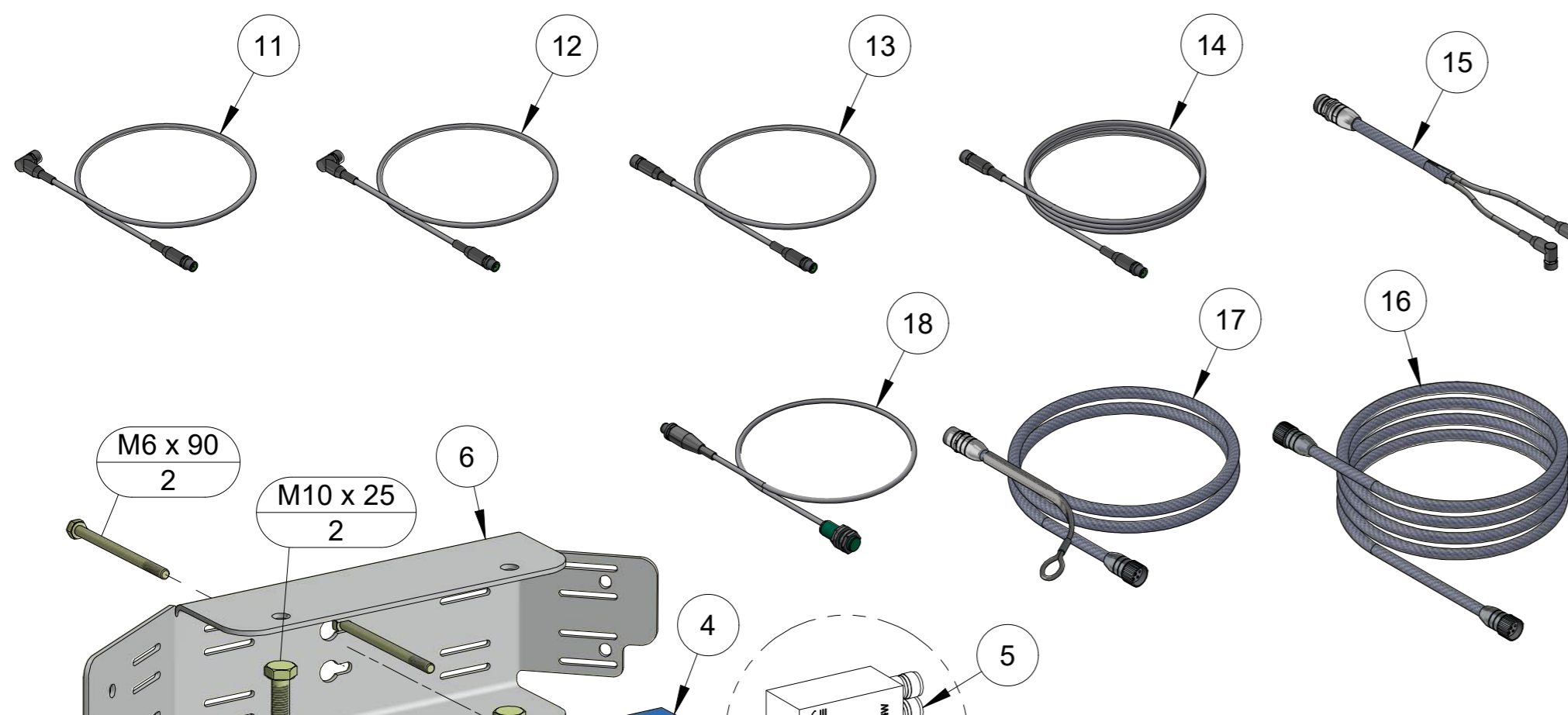


PART NUMBER MT3128 3145 78C	DESCRIPTION PARTS
MT Parts: 0407 059 610 1 Haesy Circuit, Roseworthy S.A. 5371 171 Dugan Street, Kalgoorlie W.A. 6430 parts@mtunderground.com www.mtunderground.com	
PAGE	1.8

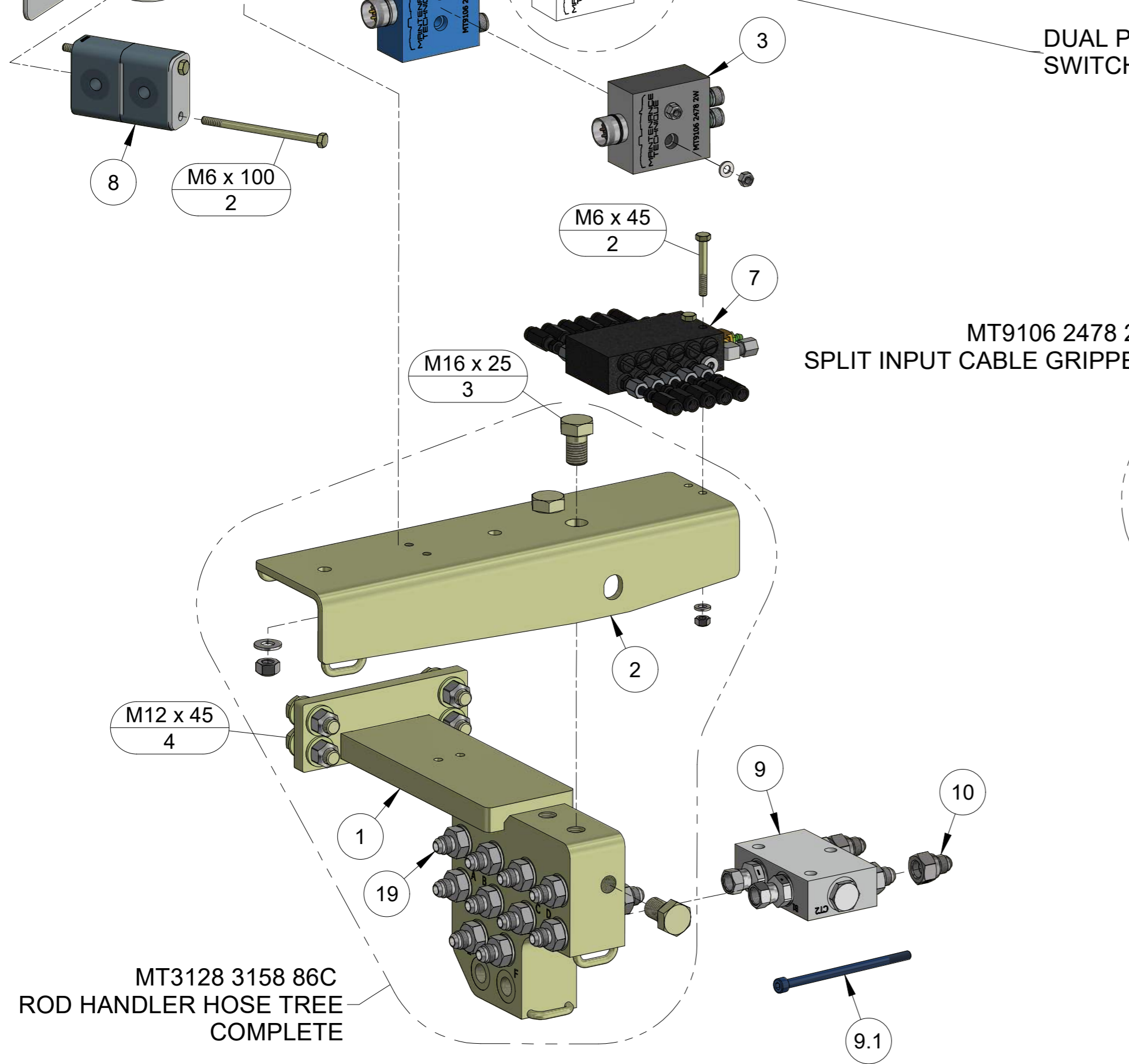
ITEM	PART NUMBER	DESCRIPTION	QTY	COMMENTS
1	MT3128 0715 00	HOSE GUIDE	1	
2	MT3128 3148 P8	PROTECTION	1	
3	MT3128 3148 H7	BULKHEAD	1	
4	MT3128 3073 04W	HOSE ATTACHMENT WASHER	1	
5	MT3128 3148 A7	ADDITIONAL BULKHEAD	1	
6	MT3128 3148 C7FC	COMPLETE FITTINGS KIT	1	Includes 32 x nipple
7	MT3128 3148 A8BK	BOLT KIT	1	



PART NUMBER MT3128 3148 CA8	DESCRIPTION EXTENSION HOSE TREE
	<p>MT Parts: 0407 059 610 1 Haehy Circuit, Roseworthy S.A. 5371 171 Dugan Street, Kalgoorlie W.A. 6430</p> <p>parts@mtunderground.com PAGE www.mtunderground.com 1.9</p>
 <p>MAINTENANCE TECHNIQUE UNDERGROUND DRILL RELIABILITY</p>	



ITEM	PART NUMBER	DESCRIPTION	QTY	COMMENTS
1	MT3128 3158 86	ROD HANDLER HOSE TREE BASE	1	
2	MT3128 3158 86P	ROD HANDLER HOSE TREE COVER	1	
3	MT9106 2478 2W	INPUT ADAPTOR - TWO WAY	1	
4	MT9106 2483 442	INPUT ADAPTOR - TWO WAY	1	Grippers
5	MT9106 2483 4W	INPUT ADAPTOR - FOUR WAY	1	Dual prox system
6	MT9106 2483 2C	PROTECTION COVER	1	
7	MT3128 2538 18	GREASE DISTRIBUTOR BLOCK	1	12 port - refer page 1.16
8	MT1110 0023 31	CLAMP	2	
9	MT9106 0630 10	DOUBLE CHECK VALVE	1	
9.1	MT4090 0630 00	M5x90 SHCS	4	For the removal of OEM double check valve
10	MT3217 6513 01	RESTRICTOR	2	0.6mm
11	MT1211 1227 015	SIGNAL CABLE	4	1.5m gripper input
12	MT9106 1511 51	LED SIGNAL CABLE	1	1.5m caro input LED
13	MT1211 1221 015	SIGNAL CABLE	1	1.5m caro input
14	MT1211 1221 045	SIGNAL CABLE	1	4.5m linear sensor
15	MT9106 2478 30	SIGNAL CABLE	2	
16	MT2320 2320 090	SENSOR CABLE	2	9.0m boom cable
17	MT2320 2310 024	SENSOR CABLE	2	2.4m boom cable extension
18	MT3222 1488 083	GRIPPER PROXY SENSOR	2	1300mm IP69
19	MT3128 3158 FK	FITTINGS KIT	1	Includes 16 x nipple



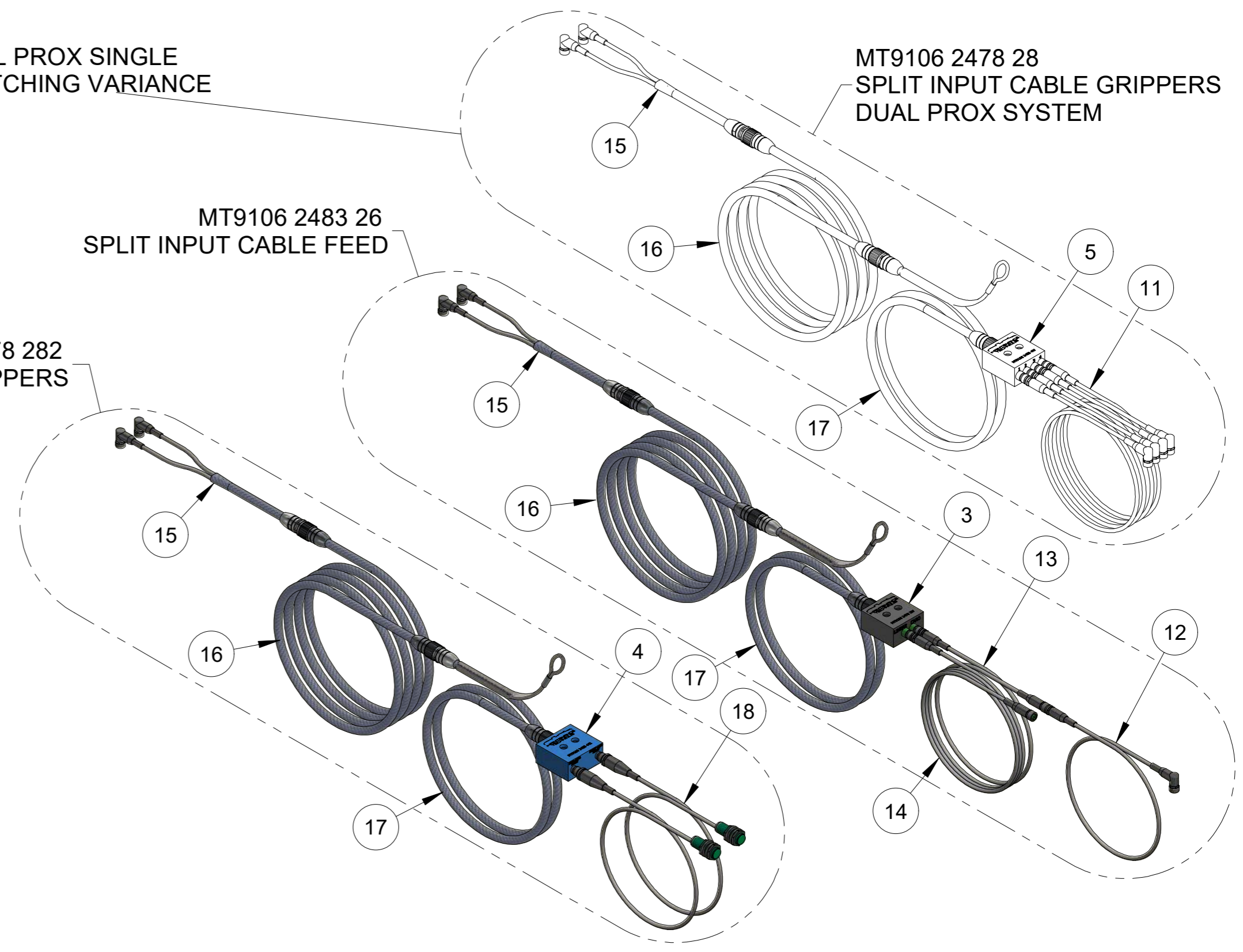
DUAL PROX SINGLE SWITCHING VARIANCE

MT9106 2478 28 SPLIT INPUT CABLE GRIPPERS DUAL PROX SYSTEM

MT9106 2483 26 SPLIT INPUT CABLE FEED

MT9106 2478 282 SPLIT INPUT CABLE GRIPPERS

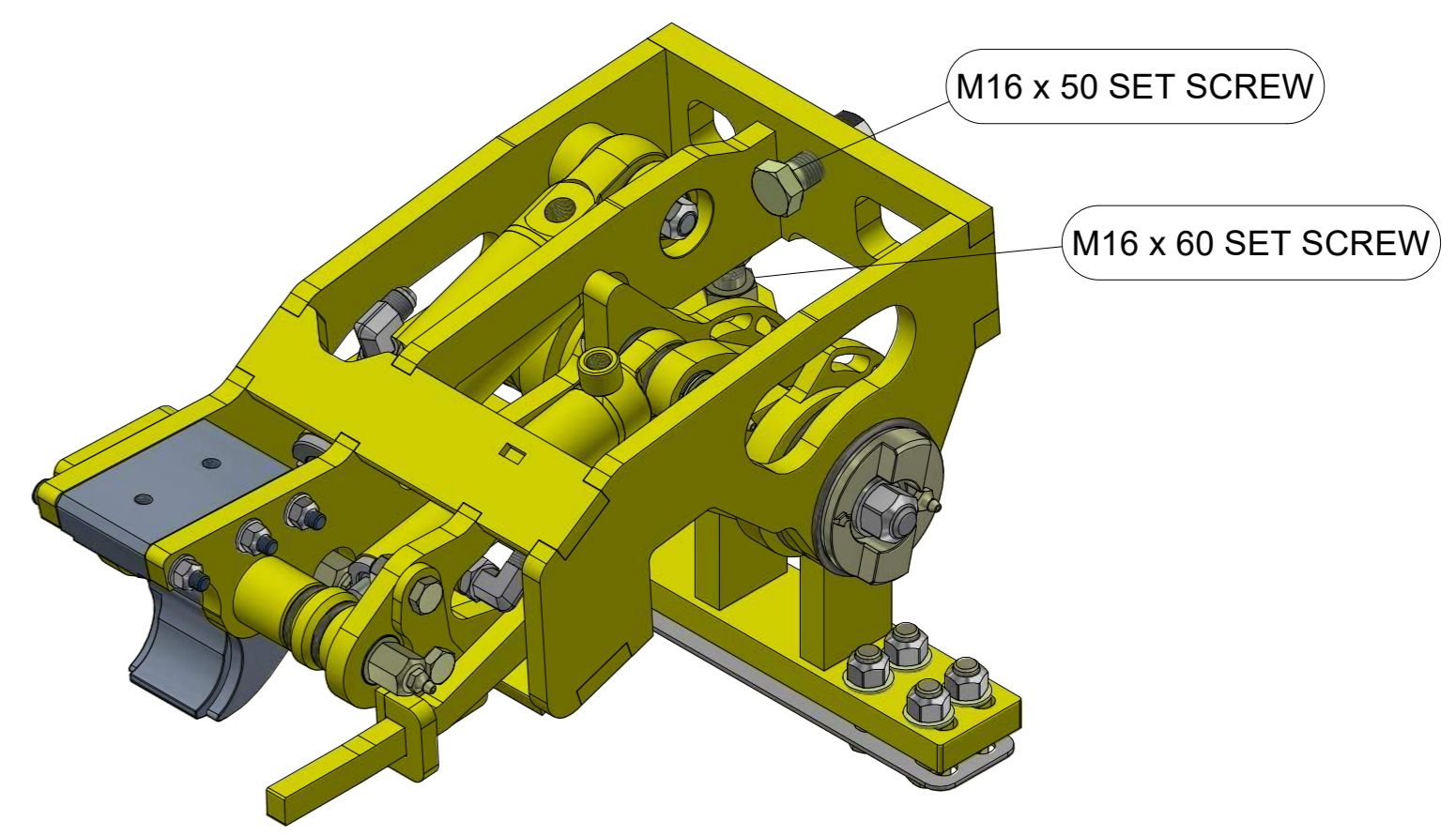
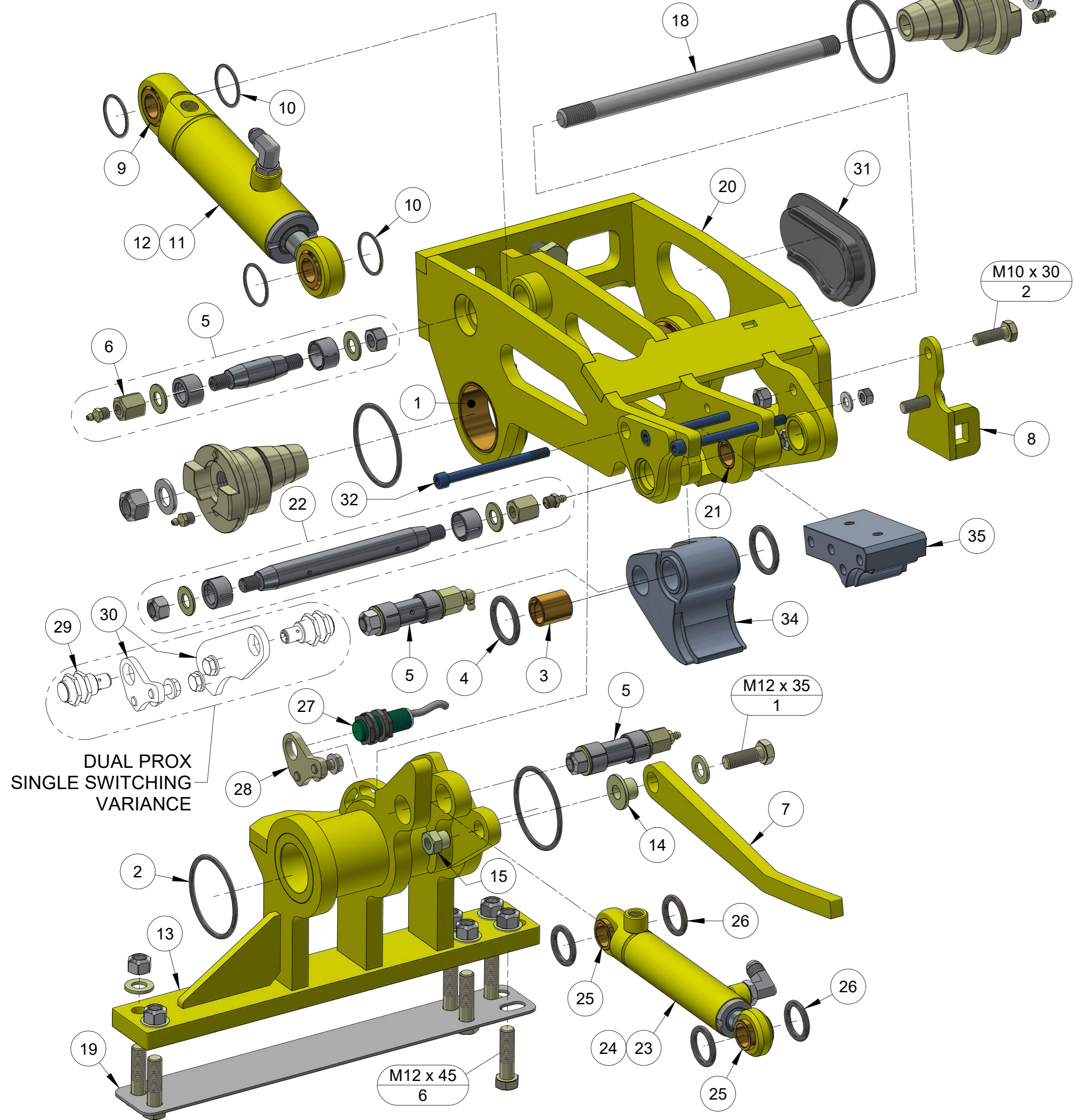
MT3128 3158 86C ROD HANDLER HOSE TREE COMPLETE



PART NUMBER	DESCRIPTION
MT3128 3158 86CA	ROD HANDLER HOSE TREE
	
MT Parts: 0407 059 610 1 Haehy Circuit, Roseworthy S.A. 5371 171 Dugan Street, Kalgoorlie W.A. 6430 parts@mtunderground.com <small>PAGE</small> www.mtunderground.com 1.10	

Gripper Jaws				
ITEM	PART NUMBER	DESCRIPTION	QTY	COMMENTS
34	MT3128 2403 0032	JAW - SWING	1	32 Dia
34.1	MT3128 2403 0038	JAW - SWING	1	38 Dia
34.2	MT3128 2403 0045	JAW - SWING	1	45 Dia
35	MT3128 2407 0032	JAW	1	32 Dia
35.1	MT3128 2407 0138	JAW	1	38 Dia
35.2	MT3128 2407 0245	JAW	1	45 Dia

ITEM	PART NUMBER	DESCRIPTION	QTY	COMMENTS
1	MT0500 4500 24E	FLANGE BUSHING	2	
2	MT0500 4500 24O	O-RING	4	
3	MT0500 4500 61E	BUSH	2	
4	MT0500 4500 61O	O-RING	2	
5	MT3128 2405 00E	SHAFT	3	Includes 1/8 BSPT nipple
6	MT3128 2405 00N	NUT ADAPTOR	0	Included with shafts
7	MT3128 2427 08E	RETAINER ARM	1	
8	MT3128 2427 14E	ATTACHMENT	1	
9	MT3128 3093 85	BUSH	2	
10	MT3128 3093 85O	O-RING	4	
11	MT3128 3093 86	CLAMP CYLINDER	1	Gripper arm
12	MT3128 3093 86SK	SEAL KIT	1	
13	MT3128 3142 84E	BRACKET	1	
14	MT3128 3143 27E	SHAFT	1	
15	MT3128 3143 27N	NUT	1	
16	MT3128 3143 55E	SHAFT	2	Includes 1/8 BSPT nipple
17	MT3128 3143 55O	O-RING	2	
18	MT3128 3146 99E	RETAINER	1	Includes nuts
19	MT3128 3146 99E	WASHER	1	
20	MT3222 3018 40E	ARM	1	
21	MT3222 3062 27B	BUSH	1	
22	MT3222 3062 27E	SHAFT	1	Includes 1/8 BSPT nipple
23	MT3222 3139 591	SWING CYLINDER	1	Swing
24	MT3222 3139 59SK	SEAL KIT	1	
25	MT3222 3139 59B	BUSH	2	
26	MT3222 3139 59O	O-RING	4	
27	MT3222 1488 083	GRIPPER PROXY SENSOR	0	1300mm IP69 sold separate
28	MT3128 3142 782	SINGLE SENSOR BRKT SET	1	Single prox system
29	MT3222 1488 08	INDUCTIVE SENSOR	0	Dual prox system sold separate
30	MT3128 3142 781	SENSOR BRKT SET	1	Dual prox system
31	MT3128 3142 BP	SENSOR COVER	1	
32	MT0211 1960 79	BOLT	3	M8x110 SHCS
33	MT3128 3142 7CBK	BOLT KIT	1	



PART NUMBER	DESCRIPTION
MT3128 3142 7C32	ARM COMPLETE (includes Jaws)
PART NUMBER	DESCRIPTION
MT3128 3142 7C38	ARM COMPLETE (includes Jaws)
PART NUMBER	DESCRIPTION
MT3128 3142 7C45	ARM COMPLETE (includes Jaws)





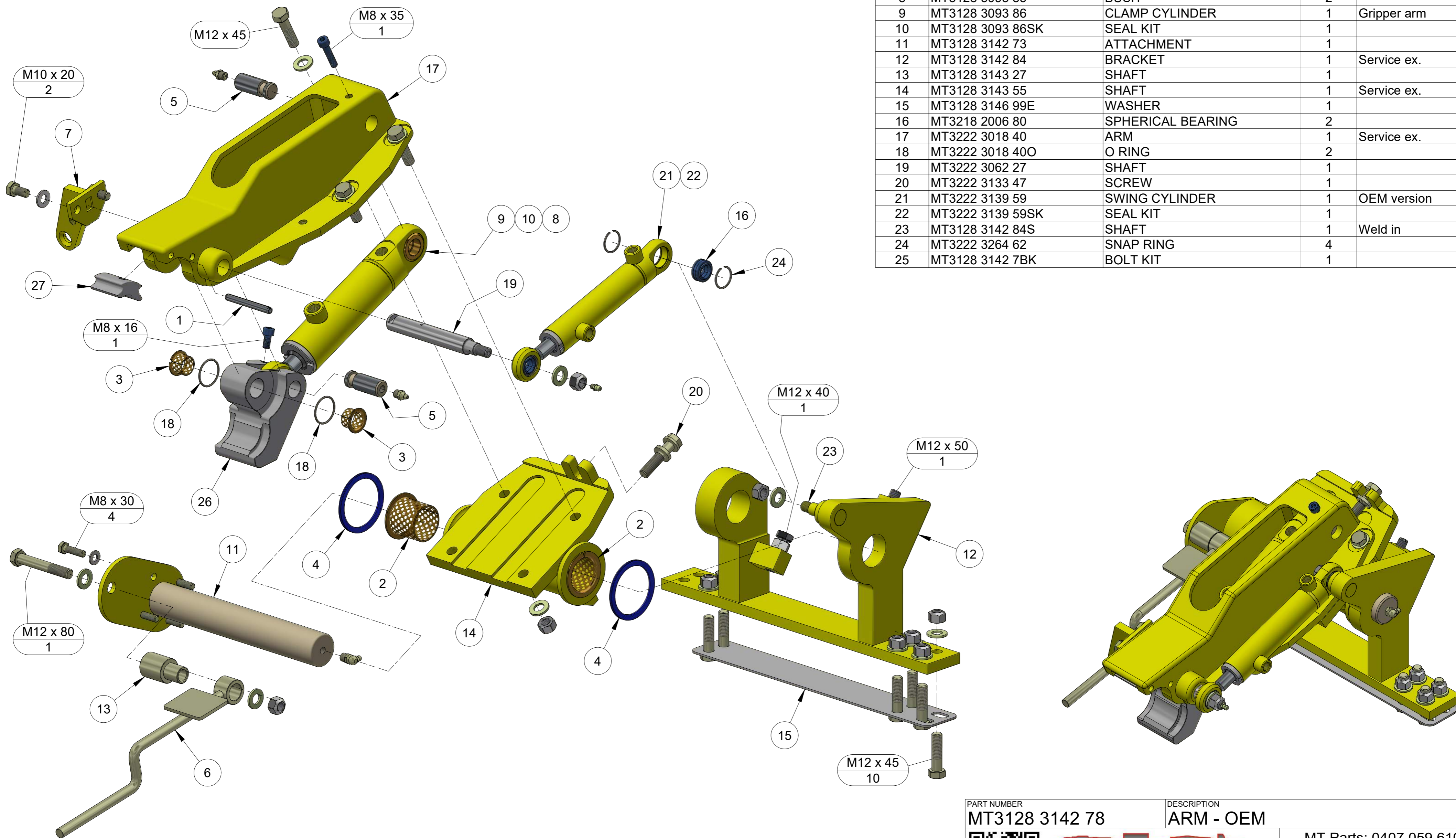
UNDERGROUND DRILL RELIABILITY

MT Parts: 0407 059 610
1 Haesy Circuit, Roseworthy S.A. 5371
171 Dugan Street, Kalgoorlie W.A. 6430
parts@mtunderground.com
www.mtunderground.com

PAGE 1.11

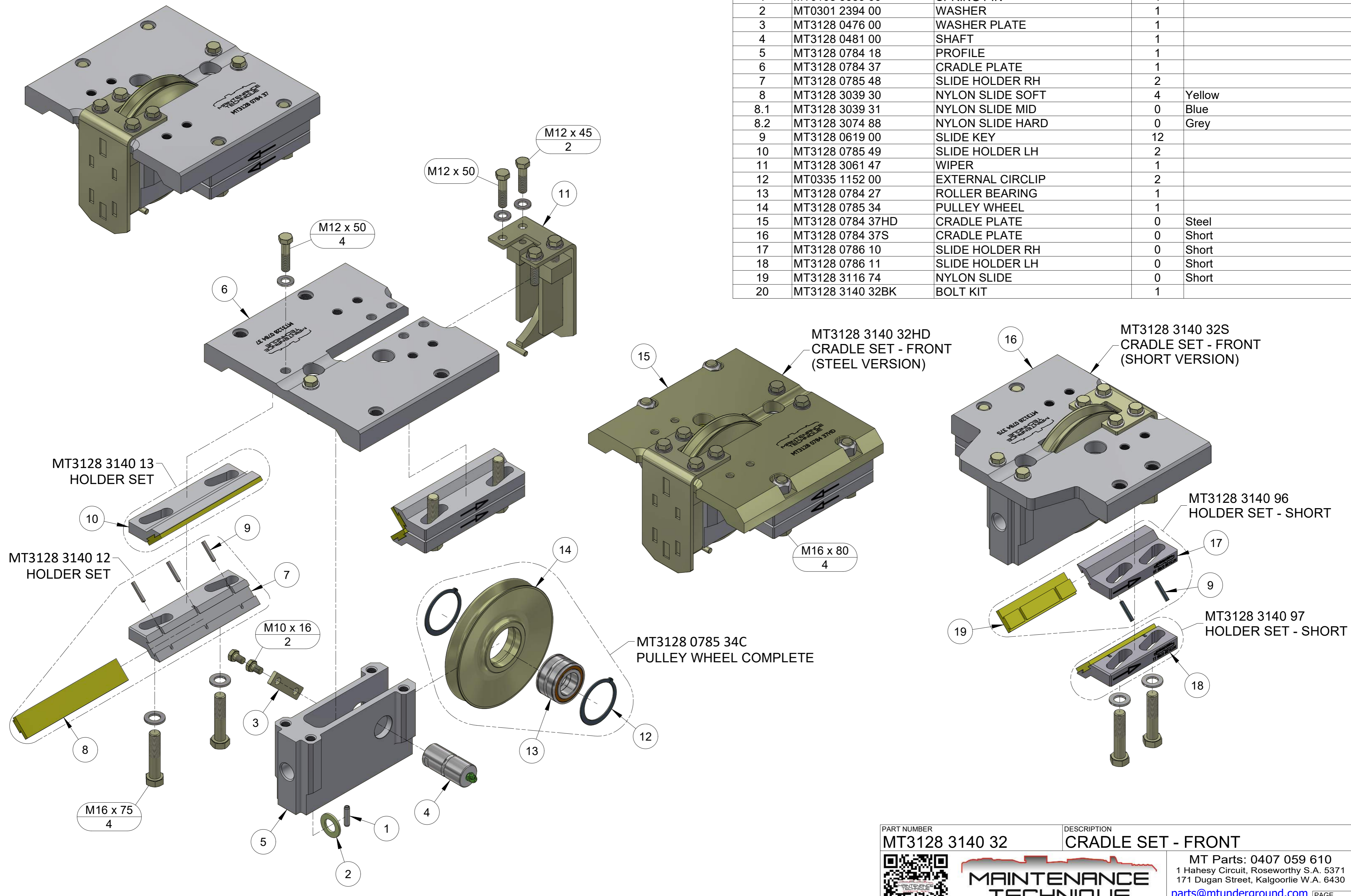
Gripper Jaws				
ITEM	PART NUMBER	DESCRIPTION	QTY	COMMENTS
26	MT3128 2403 038	JAW - SWING	1	38 Dia
26.1	MT3128 2403 045	JAW - SWING	1	45 Dia
27	MT3128 2407 01	JAW	1	38 Dia
27.1	MT3128 2407 02	JAW	1	45 Dia



ITEM	PART NUMBER	DESCRIPTION	QTY	COMMENTS
1	MT0108 1366 00	SPRING PIN	2	
2	MT0500 4500 24	BUSH	2	
3	MT0500 4500 61	BUSH	2	
4	MT0666 8001 04	V-RING SEAL	2	
5	MT3128 2405 00	SHAFT	2	
6	MT3128 2427 08	ARM	1	
7	MT3128 2527 13	BRACKET	1	
8	MT3128 3093 85	BUSH	2	
9	MT3128 3093 86	CLAMP CYLINDER	1	Gripper arm
10	MT3128 3093 86SK	SEAL KIT	1	
11	MT3128 3142 73	ATTACHMENT	1	
12	MT3128 3142 84	BRACKET	1	Service ex.
13	MT3128 3143 27	SHAFT	1	
14	MT3128 3143 55	SHAFT	1	Service ex.
15	MT3128 3146 99E	WASHER	1	
16	MT3218 2006 80	SPHERICAL BEARING	2	
17	MT3222 3018 40	ARM	1	Service ex.
18	MT3222 3018 40O	O RING	2	
19	MT3222 3062 27	SHAFT	1	
20	MT3222 3133 47	SCREW	1	
21	MT3222 3139 59	SWING CYLINDER	1	OEM version
22	MT3222 3139 59SK	SEAL KIT	1	
23	MT3128 3142 84S	SHAFT	1	Weld in
24	MT3222 3264 62	SNAP RING	4	
25	MT3128 3142 7BK	BOLT KIT	1	



PART NUMBER MT3128 3142 78	DESCRIPTION ARM - OEM			MT Parts: 0407 059 610 1 Hahey Circuit, Roseworthy S.A. 5371 171 Dugan Street, Kalgoorlie W.A. 6430 parts@mtunderground.com www.mtunderground.com	PAGE 1.12
UNDERGROUND DRILL RELIABILITY					

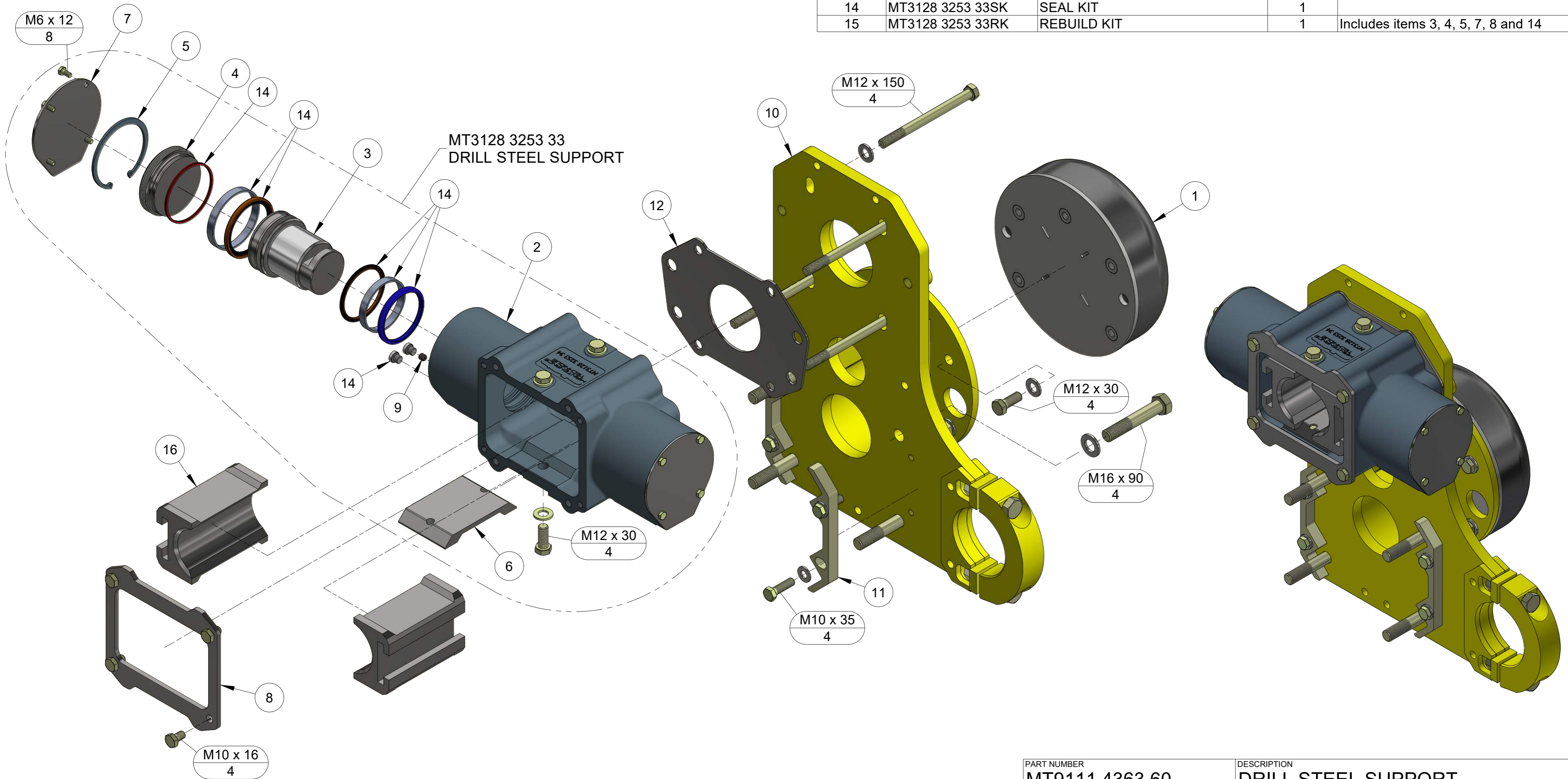
ITEM	PART NUMBER	DESCRIPTION	QTY	COMMENTS
1	MT0108 3359 00	SPRING PIN	1	
2	MT0301 2394 00	WASHER	1	
3	MT3128 0476 00	WASHER PLATE	1	
4	MT3128 0481 00	SHAFT	1	
5	MT3128 0784 18	PROFILE	1	
6	MT3128 0784 37	CRADLE PLATE	1	
7	MT3128 0785 48	SLIDE HOLDER RH	2	
8	MT3128 3039 30	NYLON SLIDE SOFT	4	Yellow
8.1	MT3128 3039 31	NYLON SLIDE MID	0	Blue
8.2	MT3128 3074 88	NYLON SLIDE HARD	0	Grey
9	MT3128 0619 00	SLIDE KEY	12	
10	MT3128 0785 49	SLIDE HOLDER LH	2	
11	MT3128 3061 47	WIPER	1	
12	MT0335 1152 00	EXTERNAL CIRCLIP	2	
13	MT3128 0784 27	ROLLER BEARING	1	
14	MT3128 0785 34	PULLEY WHEEL	1	
15	MT3128 0784 37HD	CRADLE PLATE	0	Steel
16	MT3128 0784 37S	CRADLE PLATE	0	Short
17	MT3128 0786 10	SLIDE HOLDER RH	0	Short
18	MT3128 0786 11	SLIDE HOLDER LH	0	Short
19	MT3128 3116 74	NYLON SLIDE	0	Short
20	MT3128 3140 32BK	BOLT KIT	1	



PART NUMBER MT3128 3140 32	DESCRIPTION CRADLE SET - FRONT
	
MT Parts: 0407 059 610 1 Haesy Circuit, Roseworthy S.A. 5371 171 Dugan Street, Kalgoorlie W.A. 6430 parts@mtunderground.com www.mtunderground.com	
UNDERGROUND DRILL RELIABILITY	
PAGE 1.13	

Gripper Jaw				
ITEM	PART NUMBER	DESCRIPTION	QTY	COMMENTS
16	MT9111 0003 27	BUSHING HALF 32	0	32 Dia
16.1	MT9111 0003 27T	BUSHING HALF 32T	0	32 Dia - no step
16.2	MT3128 0002 51	BUSHING HALF 38	0	38 Dia
16.3	MT3128 0002 51T	BUSHING HALF 38T	0	56 Dia - no step
16.4	MT3128 0007 64	BUSHING HALF 45	0	45 Dia
16.5	MT3128 0007 64T	BUSHING HALF 45T	0	65 Dia - no step

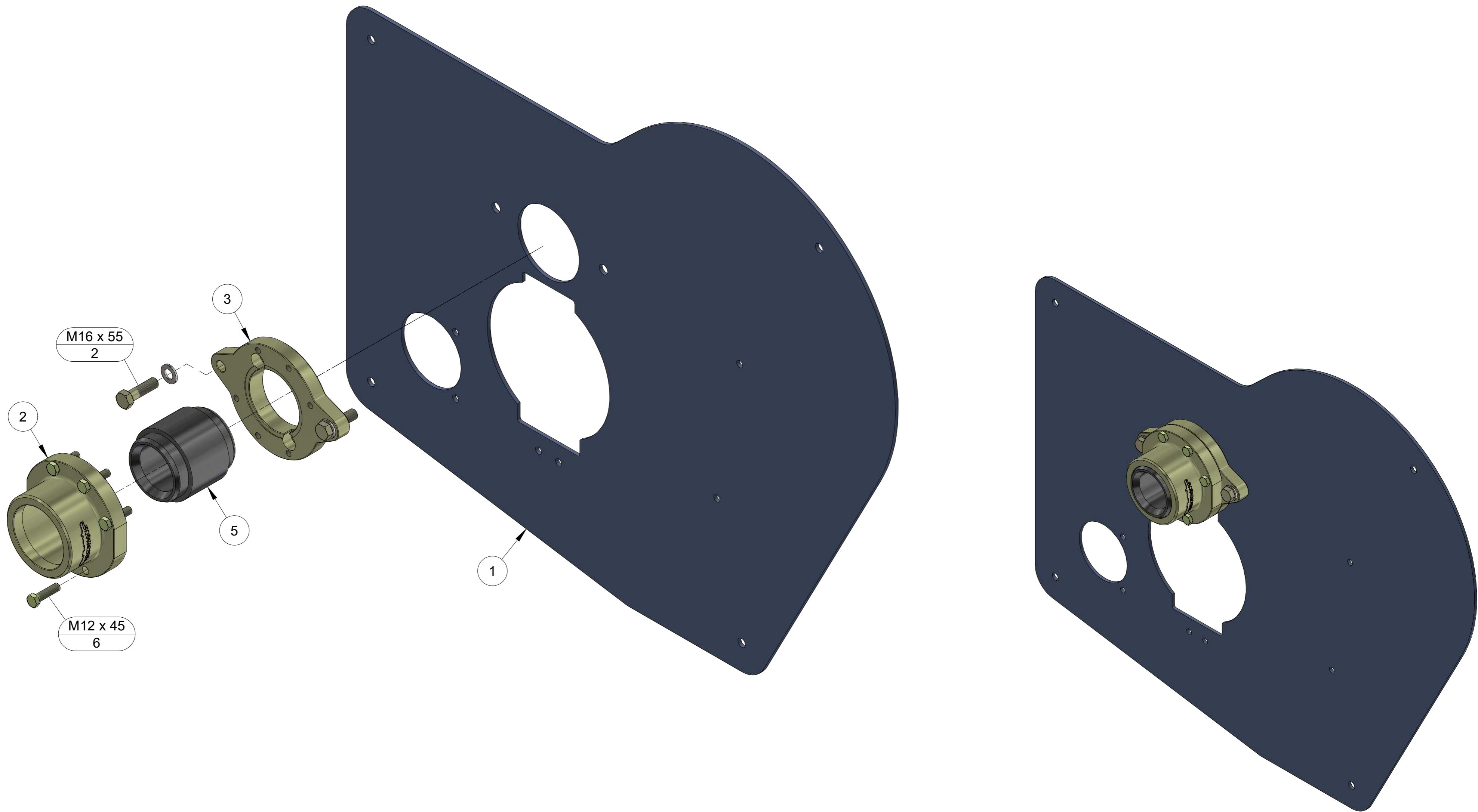
ITEM	PART NUMBER	DESCRIPTION	QTY	COMMENTS
1	MT3125 0634 00	BUFFER - FRONT	1	
2	MT3128 3253 34	HOUSING	1	
3	MT3128 0000 34	PISTON	2	
4	MT3128 3251 52	LID	2	
5	MT0335 2165 00	CIRCLIP	2	
6	MT3128 0000 36	WEAR PLATE	2	
7	MT3128 0002 53P	WEAR PLATE	2	
8	MT9111 4363 95P	PROTECT PLATE	1	
9	MT3115 1746 06	RESTRICTOR	2	D=1mm
10	MT9111 4363 56	FRONT PLATE	1	
11	MT3128 3065 42	ATTACHMENT PLATE	2	
12	MT3128 3257 46	SHIM	1	
13	MT9111 4363 60BK	BOLT KIT	1	
14	MT3128 3253 33SK	SEAL KIT	1	
15	MT3128 3253 33RK	REBUILD KIT	1	Includes items 3, 4, 5, 7, 8 and 14



PART NUMBER MT9111 4363 60	DESCRIPTION DRILL STEEL SUPPORT
	
MT Parts: 0407 059 610 1 Haehy Circuit, Roseworthy S.A. 5371 171 Dugan Street, Kalgoorlie W.A. 6430 parts@mtunderground.com <small>PAGE</small> www.mtunderground.com 1.14	

Guide Bush				
ITEM	PART NUMBER	DESCRIPTION	QTY	COMMENTS
5	MT3128 3146 32	GUIDE BUSH ST32	0	50 Dia
5.1	MT3128 3146 38	GUIDE BUSH ST38	0	60 Dia
5.2	MT3128 3146 45	GUIDE BUSH ST45	0	72 Dia
5.3	MT3128 3146 77	GUIDE BUSH 45/76	0	76 Dia guide tube

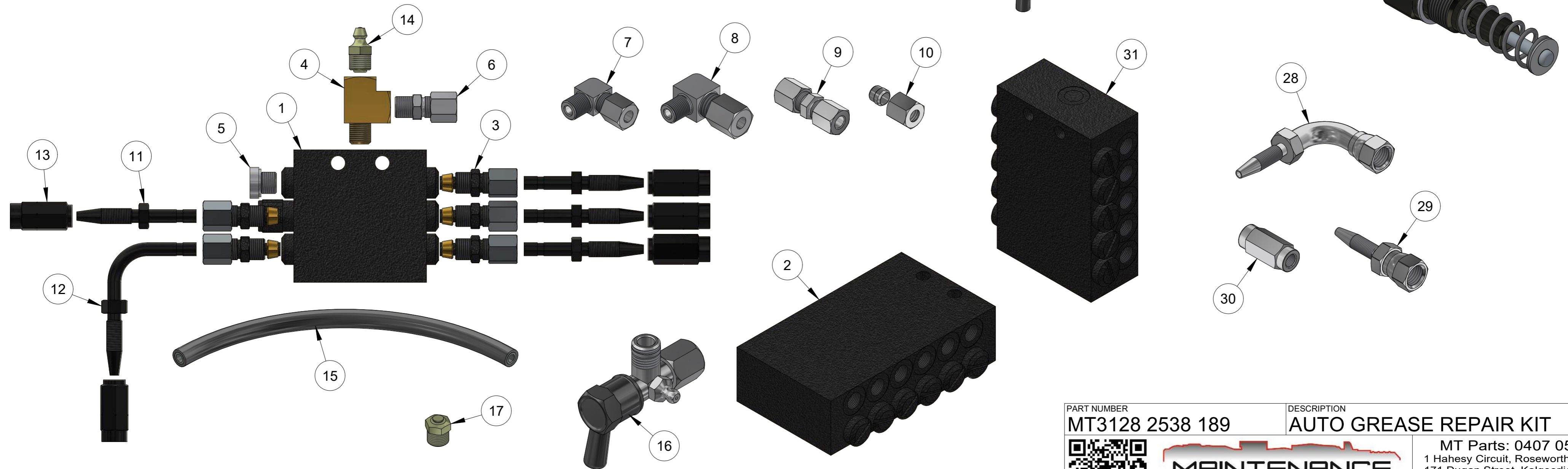
ITEM	PART NUMBER	DESCRIPTION	QTY	COMMENTS
1	MT9111 4363 690	PROTECTION MAT S7C	1	
2	MT3128 3149 H1	HOUSING	1	
3	MT3128 3149 H2	HOUSING	1	
4	MT3128 3149 CABK	BOLT KIT	1	



PART NUMBER MT3128 3145 CA	DESCRIPTION CUTTINGS MAT / GUIDE SYSTEM
	MAINTENANCE TECHNIQUE <small>UNDERGROUND DRILL RELIABILITY</small>
MT Parts: 0407 059 610 1 Haehy Circuit, Roseworthy S.A. 5371 171 Dugan Street, Kalgoorlie W.A. 6430 parts@mtunderground.com	
www.mtunderground.com	
PAGE	1.15

ITEM	PART NUMBER	DESCRIPTION	QTY	COMMENTS
1	MT3128 2538 17	GREASE DISTRIBUTOR BLOCK 6 PORT	1	With indicator
2	MT3128 2538 18	GREASE DISTRIBUTOR BLOCK 12 PORT	1	
3	MT3128 2539 95	CHECK VALVE	6	
4	MT3128 2538 12	ADAPTOR T	2	Grease block
5	MT3128 3005 37	PLUG	6	Grease block
6	MT0580 0002 00	COUPLING STRAIGHT	10	
7	MT0580 2202 00	COUPLING 90°	10	1/8" BSP (12mm hex nut)
8	MT0580 2014 07	COUPLING 90°	6	1/8" BSP (14mm hex nut)
9	MT3128 2538 08J	HOSE JOINER	10	
10	MT3128 2539 9A	NUT & OLIVE	6	
11	MT3128 2538 09	HOSE ADAPTOR STRAIGHT	10	
12	MT3128 2538 90	HOSE ADAPTER 90°	10	
13	MT3128 2538 08	THREADED SLEEVE	20	
14	MT0544 2162 00	GREASE NIPPLE	10	1/8" BSP
15	MT3128 2538 10	HIGH POWER PIPE	10	Order by metre
16	MT3128 2538 02	SAFETY VALVE	1	Pump outlet
17	MT3128 3151 485	RELIEF VALVE	4	Grease, 5 Bar
18	MT9106 1900 012	STORAGE BOX	1	Not shown
19	MT3128 2538 36	GREASE PUMP		Not in repair kit, supplied with 1 pump element
20	MT3128 2538 01	PUMP ELEMENT		Not in repair kit
21	MT3128 3049 45	CIRCUIT BOARD		Not in repair kit
22	MT3128 2538 03	GREASE DISTRIBUTOR BLOCK 8 PORT		Not in repair kit, not shown
23	MT3128 2538 19	GREASE DISTRIBUTOR BLOCK 12 PORT		Not in repair kit, with indicator, not shown
24	MT0544 2362 00	GREASE NIPPLE 45°		Not in repair kit, 1/8" BSP
25	MT0544 2562 00	GREASE NIPPLE 90°		Not in repair kit, 1/8" BSP
26	MT0580 4602 00	TEE JOINER		Not in repair kit
27	MT5112 2164 00	PVC HIGH POWER PIPE		Not in repair kit, order by metre
28	MT3128 2538 73	HOSE STUD 90° SHORT - 7/16"		Not in repair kit
29	MT3128 2538 77	HOSE STUD - 7/16"		Not in repair kit
30	MT3128 2538 79	THREADED SLEEVE - 7/16"		Not in repair kit
31	MT3128 2538 87	GREASE DISTRIBUTOR BLOCK 10 PORT		Not in repair kit

Auto Grease Repair Kit

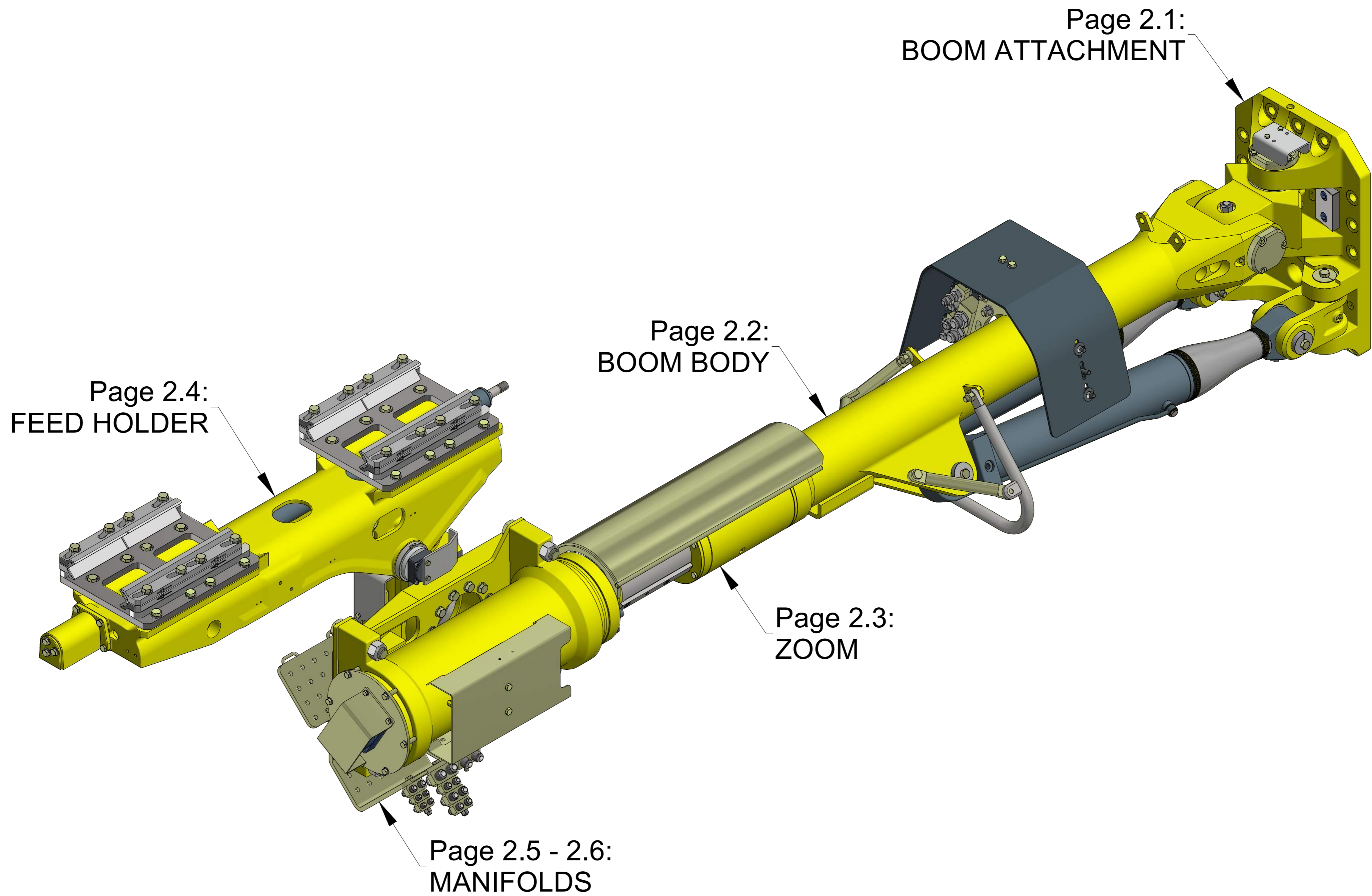


PART NUMBER: MT3128 2538 189
 DESCRIPTION: AUTO GREASE REPAIR KIT

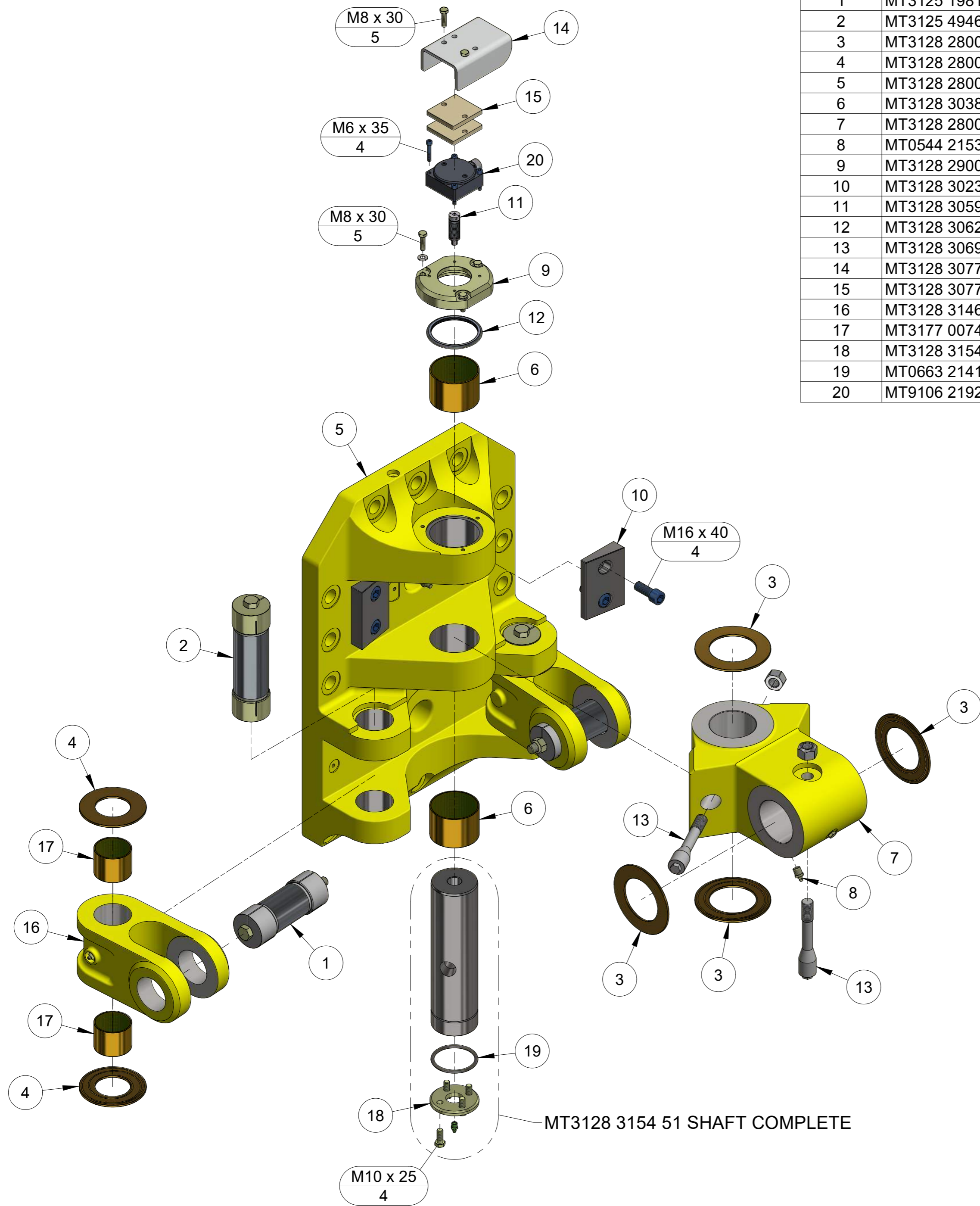


MT Parts: 0407 059 610
 1 Haesy Circuit, Roseworthy S.A. 5371
 171 Dugan Street, Kalgoorlie W.A. 6430
parts@mtunderground.com
www.mtunderground.com

SECTION 2: BOOM



PART NUMBER	DESCRIPTION
MT3128 3239 91C	BOOM COMPLETE S7C
	MAINTENANCE TECHNIQUE UNDERGROUND DRILL RELIABILITY
MT Parts: 0407 059 610 1 Hahey Circuit, Roseworthy S.A. 5371 171 Dugan Street, Kalgoorlie W.A. 6430 parts@mtunderground.com www.mtunderground.com	

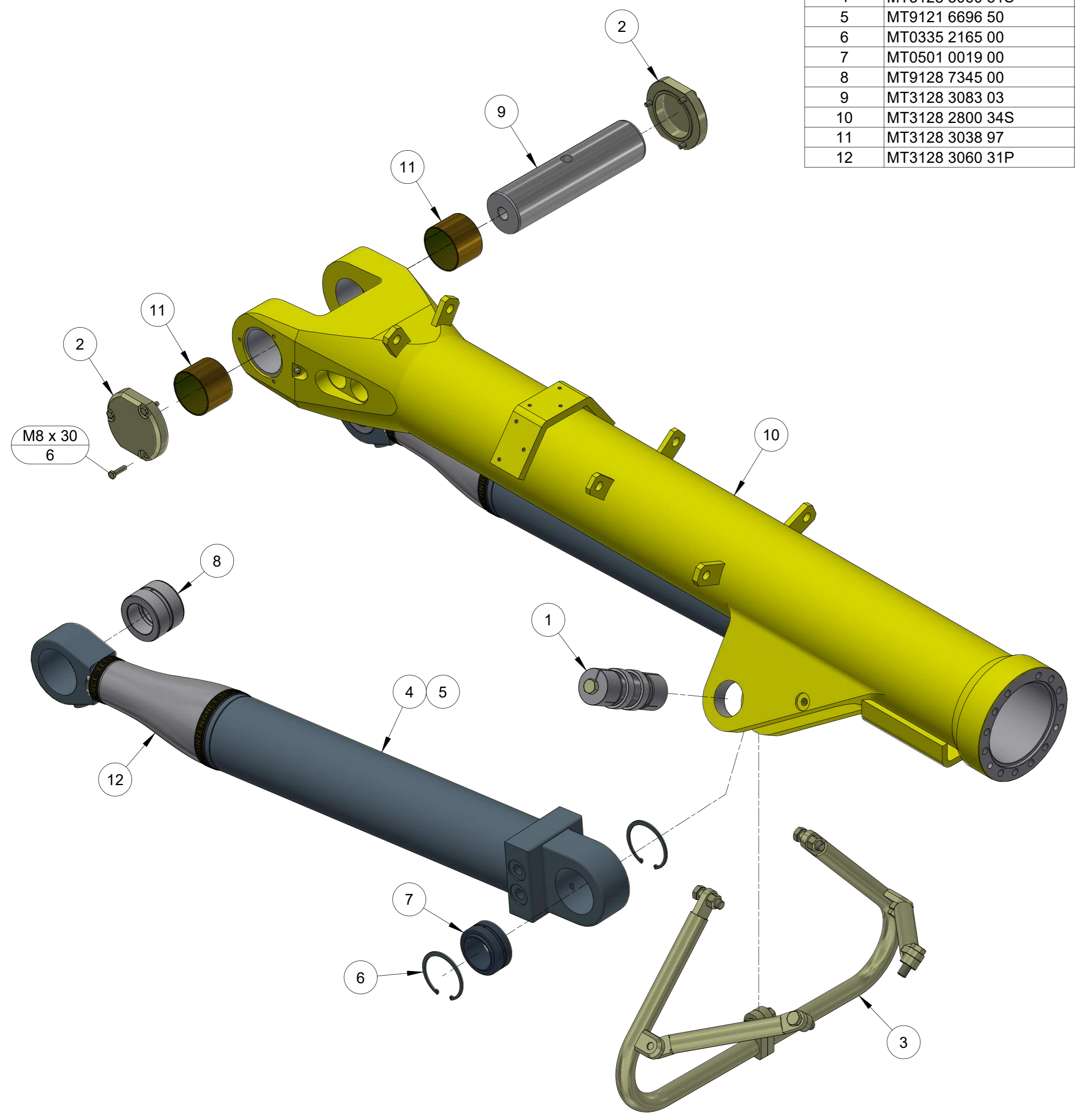


ITEM	PART NUMBER	DESCRIPTION	QTY	COMMENTS
1	MT3125 1981 80	EXPANDING SHAFT	2	
2	MT3125 4946 80	EXPANDING SHAFT	2	
3	MT3128 2800 08	THRUST WASHER	4	
4	MT3128 2800 09	THRUST WASHER	4	
5	MT3128 2800 27S	BOOM ATTACHMENT	1	Service ex.
6	MT3128 3038 97	BUSHING	2	
7	MT3128 2800 36S	BOOM LINK	1	Service ex.
8	MT0544 2153 00	GREASE NIPPLE	1	
9	MT3128 2900 23	COVER	1	
10	MT3128 3023 79	BOOM STOP	2	
11	MT3128 3059 89	BELLOWS COUPLING	1	
12	MT3128 3062 48	SEAL	1	
13	MT3128 3069 55	BOLT	2	Includes M20 nut
14	MT3128 3077 24	RESOLVER COVER	1	
15	MT3128 3077 89	FOAM BLOCK	2	
16	MT3128 3146 72S	LINK	2	Service ex.
17	MT3177 0074 01	BUSHING	4	
18	MT3128 3154 50	FLANGE	1	
19	MT0663 2141 00	O-RING	1	
20	MT9106 2192 03	ANGLE SENSOR	1	

MT3128 3154 51 SHAFT COMPLETE

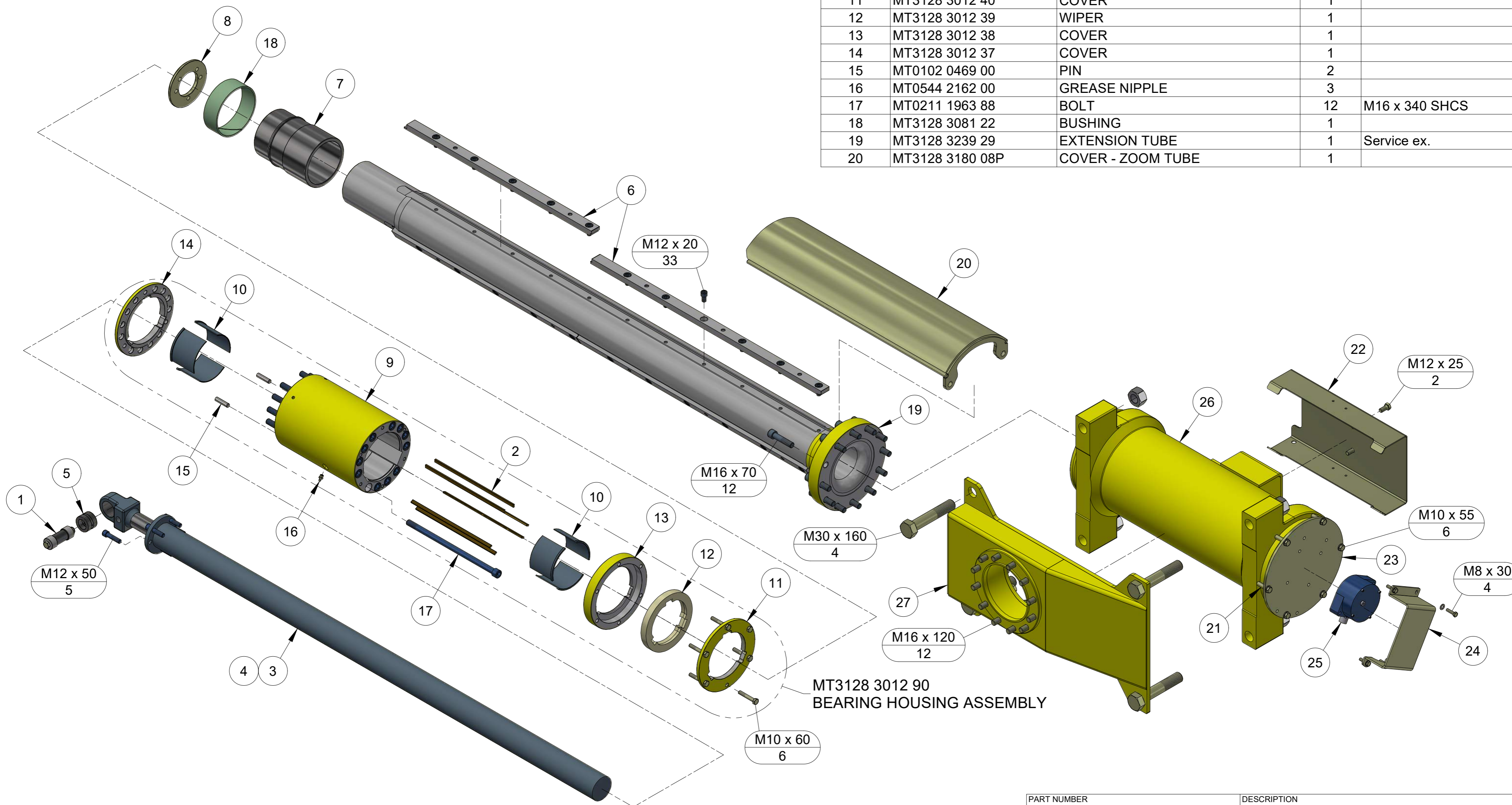
PART NUMBER MT3128 3239 912	DESCRIPTION BOOM ATTACHMENT S7C
	<p>MT Parts: 0407 059 610 1 Haehy Circuit, Roseworthy S.A. 5371 171 Dugan Street, Kalgoorlie W.A. 6430</p> <p>parts@mtunderground.com PAGE www.mtunderground.com 2.1</p>
 <p>UNDERGROUND DRILL RELIABILITY</p>	

ITEM	PART NUMBER	DESCRIPTION	QTY	COMMENTS
1	MT3125 1981 81	EXPANDING SHAFT	2	
2	MT3128 2900 20	COVER	2	
3	MT3128 3035 70C	PROTECTION BAR COMPLETE	1	
4	MT3128 3060 31S	CYLINDER	2	Service ex.
5	MT9121 6696 50	SEAL KIT	2	
6	MT0335 2165 00	CIRCLIP	4	
7	MT0501 0019 00	SPHERICAL BEARING	2	
8	MT9128 7345 00	BUSHING	2	
9	MT3128 3083 03	SHAFT	1	
10	MT3128 2800 34S	BOOM BODY	1	Service ex.
11	MT3128 3038 97	BUSHING	2	
12	MT3128 3060 31P	CYLINDER COVER	2	

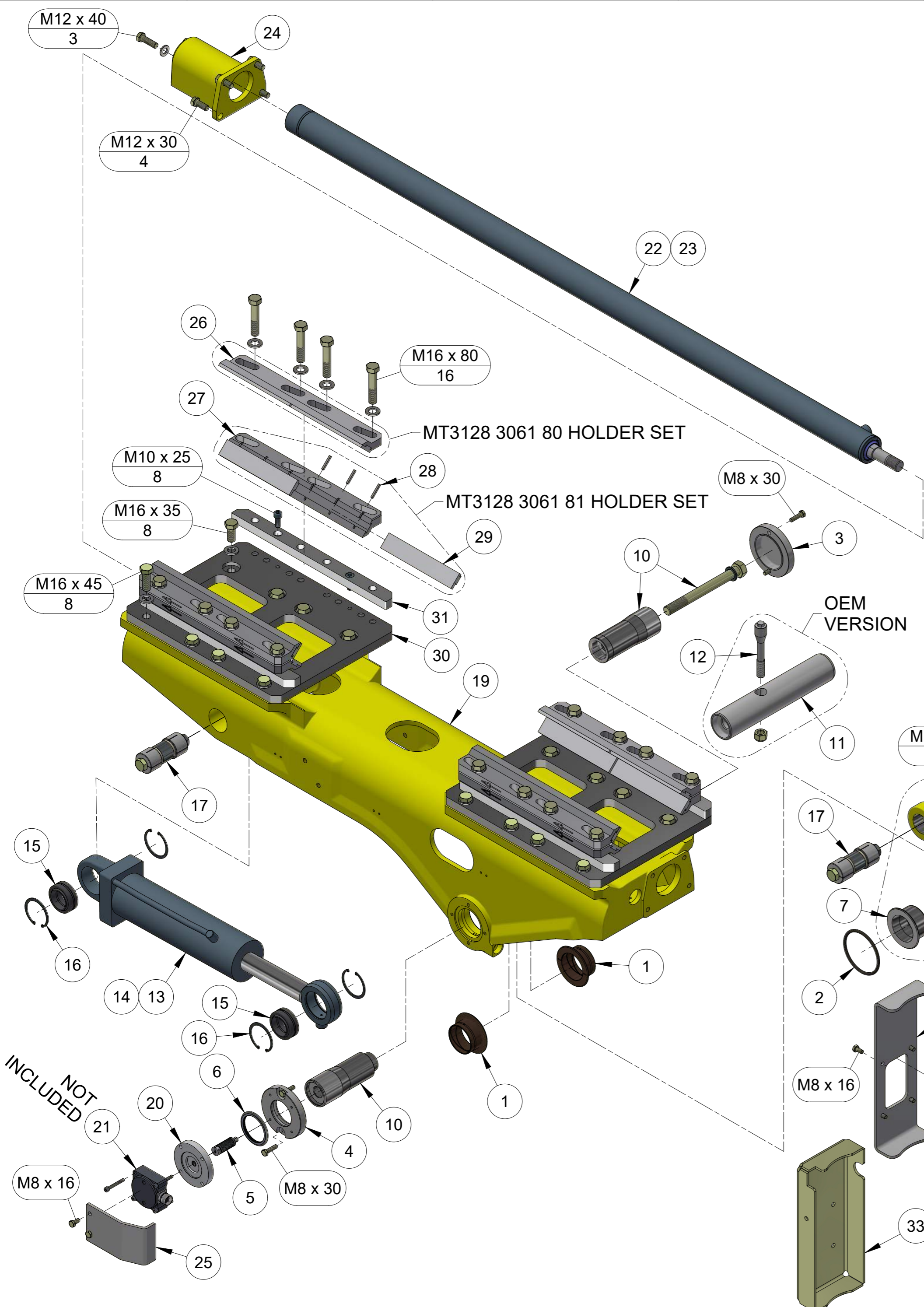


PART NUMBER MT3128 3239 913	DESCRIPTION BOOM BODY S7C
	MAINTENANCE TECHNIQUE UNDERGROUND DRILL RELIABILITY
MT Parts: 0407 059 610 1 Hahey Circuit, Roseworthy S.A. 5371 171 Dugan Street, Kalgoorlie W.A. 6430 parts@mtunderground.com www.mtunderground.com	
PAGE	2.2

ITEM	PART NUMBER	DESCRIPTION	QTY	COMMENTS	ITEM	PART NUMBER	DESCRIPTION	QTY	COMMENTS
21	MT9111 4065 38	SPACER SLEEVE	6		1	MT3125 4968 80	EXPANDING SHAFT	1	
22	MT3128 3146 75	PROTECTION	1		2	MT3125 4976 01	CRADLE - BRONZE	6	
23	MT9111 4063 60	PROTECTION	1		3	MT3128 2592 41S	CYLINDER	1	Service ex.
24	MT9111 4063 59	PROTECTION	1		4	MT3128 2592 48	SEAL KIT	1	
25	MT9106 2192 04	INCLINOMETER	1		5	MT9128 7342 00	BUSH	1	
26	MT3128 3143 13SX	TURNING DEVICE - ROLL OVER	1	Service ex.	6	MT3128 3012 320	KEY - SET	3	
27	MT3128 3142 32	ADAPTOR PLATE	1		7	MT3128 3012 33	SLEEVE	1	
					8	MT3128 3012 35	COVER	1	
					9	MT3128 3012 36	BEARING HOUSING	1	
					10	MT3128 3081 21	BUSHING SEGMENT	6	
					11	MT3128 3012 40	COVER	1	
					12	MT3128 3012 39	WIPER	1	
					13	MT3128 3012 38	COVER	1	
					14	MT3128 3012 37	COVER	1	
					15	MT0102 0469 00	PIN	2	
					16	MT0544 2162 00	GREASE NIPPLE	3	
					17	MT0211 1963 88	BOLT	12	M16 x 340 SHCS
					18	MT3128 3081 22	BUSHING	1	
					19	MT3128 3239 29	EXTENSION TUBE	1	Service ex.
					20	MT3128 3180 08P	COVER - ZOOM TUBE	1	



PART NUMBER MT3128 3239 914	DESCRIPTION ZOOM S7C
	
MT Parts: 0407 059 610 1 Haehy Circuit, Roseworthy S.A. 5371 171 Dugan Street, Kalgoorlie W.A. 6430 parts@mtunderground.com www.mtunderground.com	
PAGE	2.3



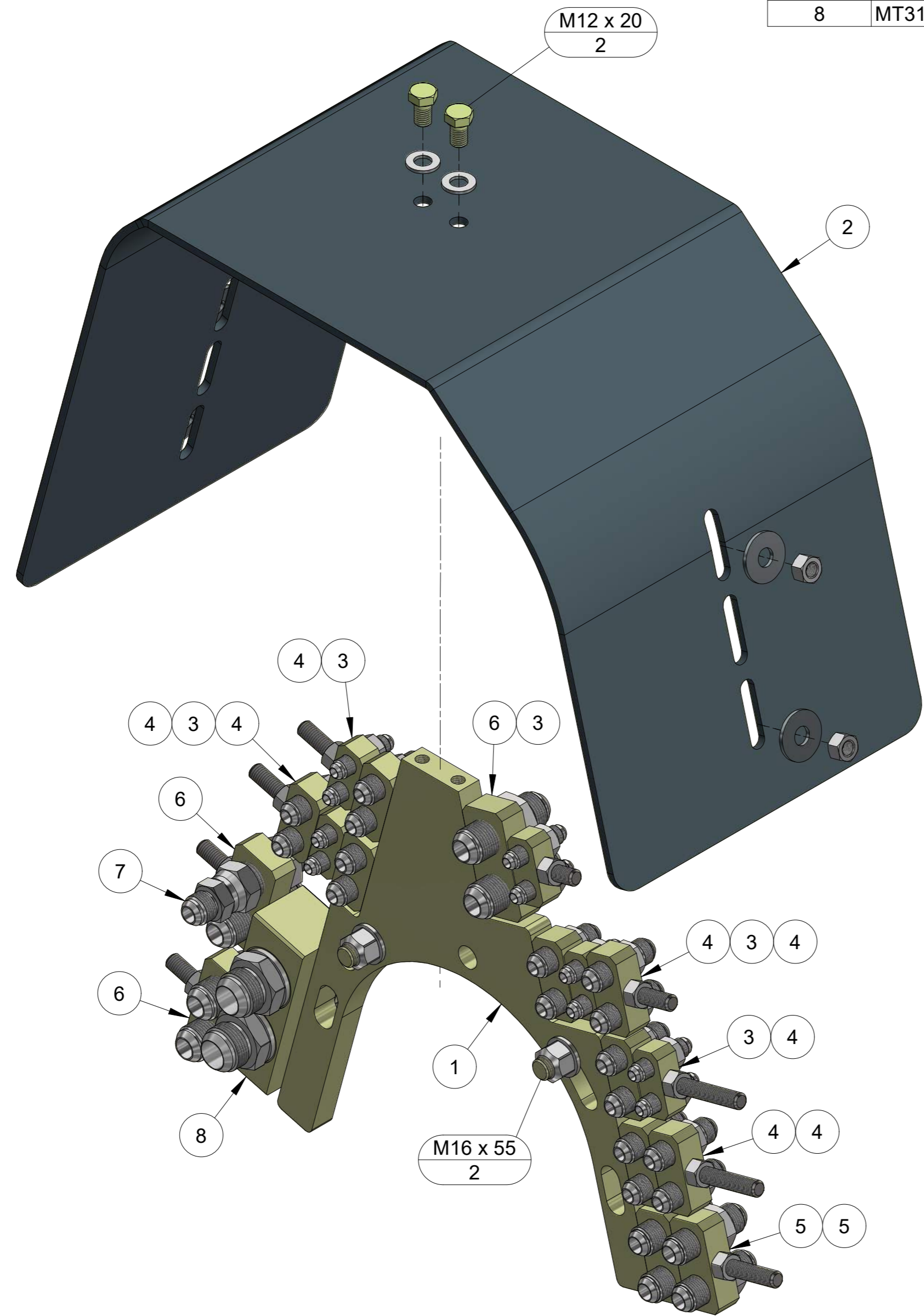
ITEM	PART NUMBER	DESCRIPTION	QTY	COMMENTS
1	MT0500 4500 23	PLAIN BEARING	2	Includes O-ring (item 2)
2	MT0663 6139 00R	O-RING	2	
3	MT3128 2900 21	COVER	1	
4	MT3128 2900 28	COVER	1	
5	MT3128 3059 89	BELLOWS COUPLING	1	
6	MT3128 3062 47	SEAL	1	
7	MT3128 3080 471	TAPER BUSH	1	Refer note
8	MT3128 3080 472	TAPER BUSH	1	Refer note
9	MT3128 3080 47S	ATTACHMENT	1	Service ex.
10	MT3128 3081 350	SHAFT	1	Refer note
11	MT3128 3081 35	SHAFT		OEM version
12	MT3128 3116 82	BOLT		OEM version includes M16 nut
13	MT3128 3126 49S	CYLINDER	1	Service ex.
14	MT9120 0993 09	SEAL KIT	1	
15	MT9125 9552 00	SPHERICAL BEARING	2	
16	MT0335 2204 00	CIRCLIP	4	
17	MT3128 3115 11	EXPANDING SHAFT	2	
18	MT3128 3126 43SX	TURNING DEVICE - SWING MOTOR	1	Service ex.
19	MT3128 3223 50	FEED HOLDER	1	Service ex.
20	MT9772 0115 16	RESOLVER SEAL KIT	1	Inc. 4 x M6x45 S/S SHCS
21	MT9106 2192 03	ANGLE SENSOR		Sold separate
22	MT3128 3146 96	CYLINDER	1	
23	MT9122 5038 50	SEAL KIT	1	
24	MT3128 2807 80	CYLINDER BRACKET	1	
25	MT3128 3115 11P	PROTECTION PLATE	1	
26	MT3128 0784 38	HOLDER LONG RH	4	
27	MT3128 0784 39	HOLDER LONG LH	4	
28	MT3128 0619 00	SLIDE KEY	48	
29	MT3128 3074 88	NYLON SLIDE HARD	16	Grey
30	MT3128 3238 15	ATTACHMENT PLATE	2	
31	MT3128 3238 16	SPACER	4	
32	MT3128 3139 83	PROTECTION	1	
33	MT3128 3139 831	PROTECTION HD		Heavy duty version, sold separate

NOTE: ITEMS 7, 8 & 10 ARE PART OF MT TAPER/SPLIT SHAFT UPGRADE, REQUIRES MOD TO ITEM 9.

MT3128 3082 75 SENSOR SET

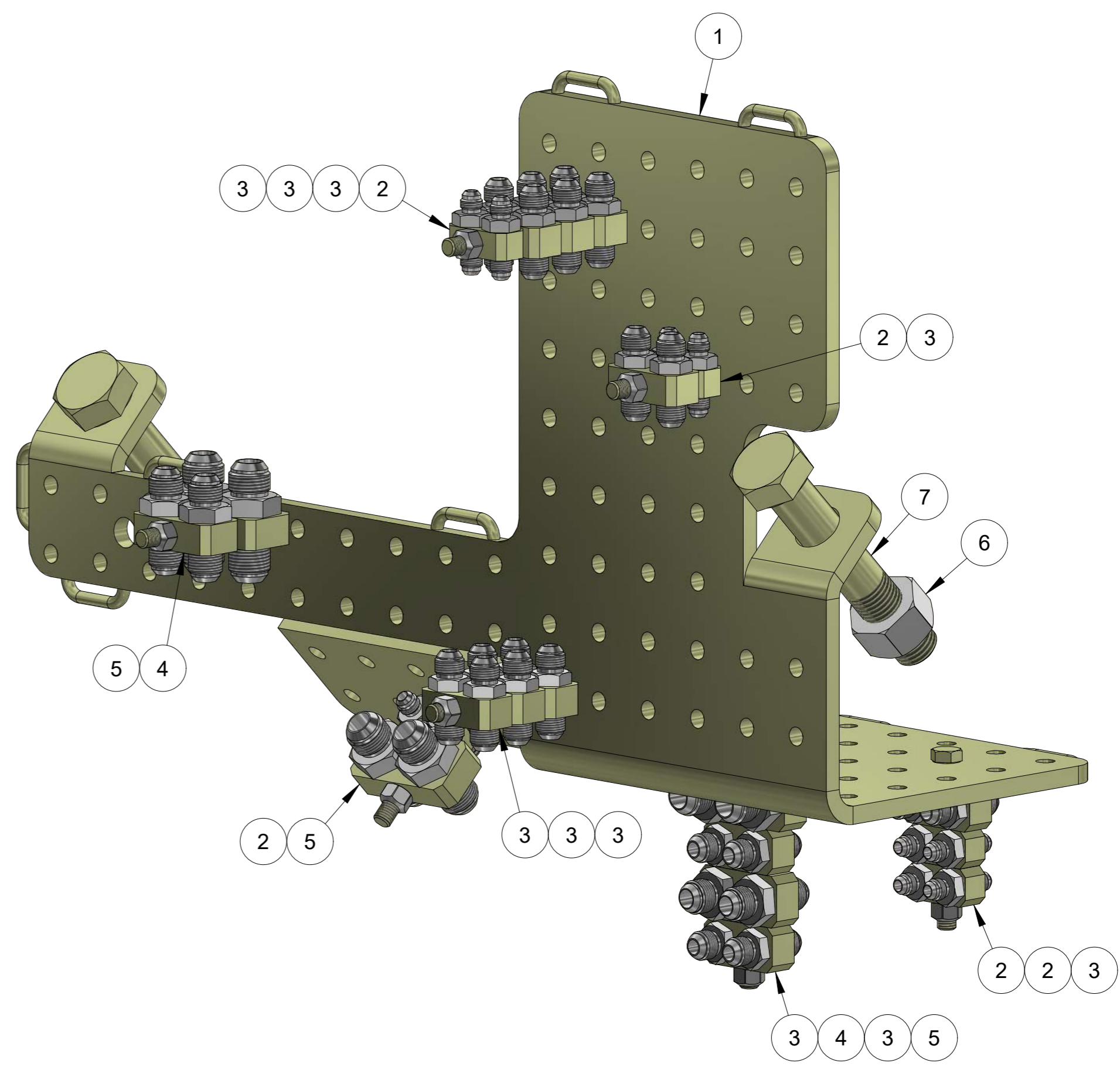
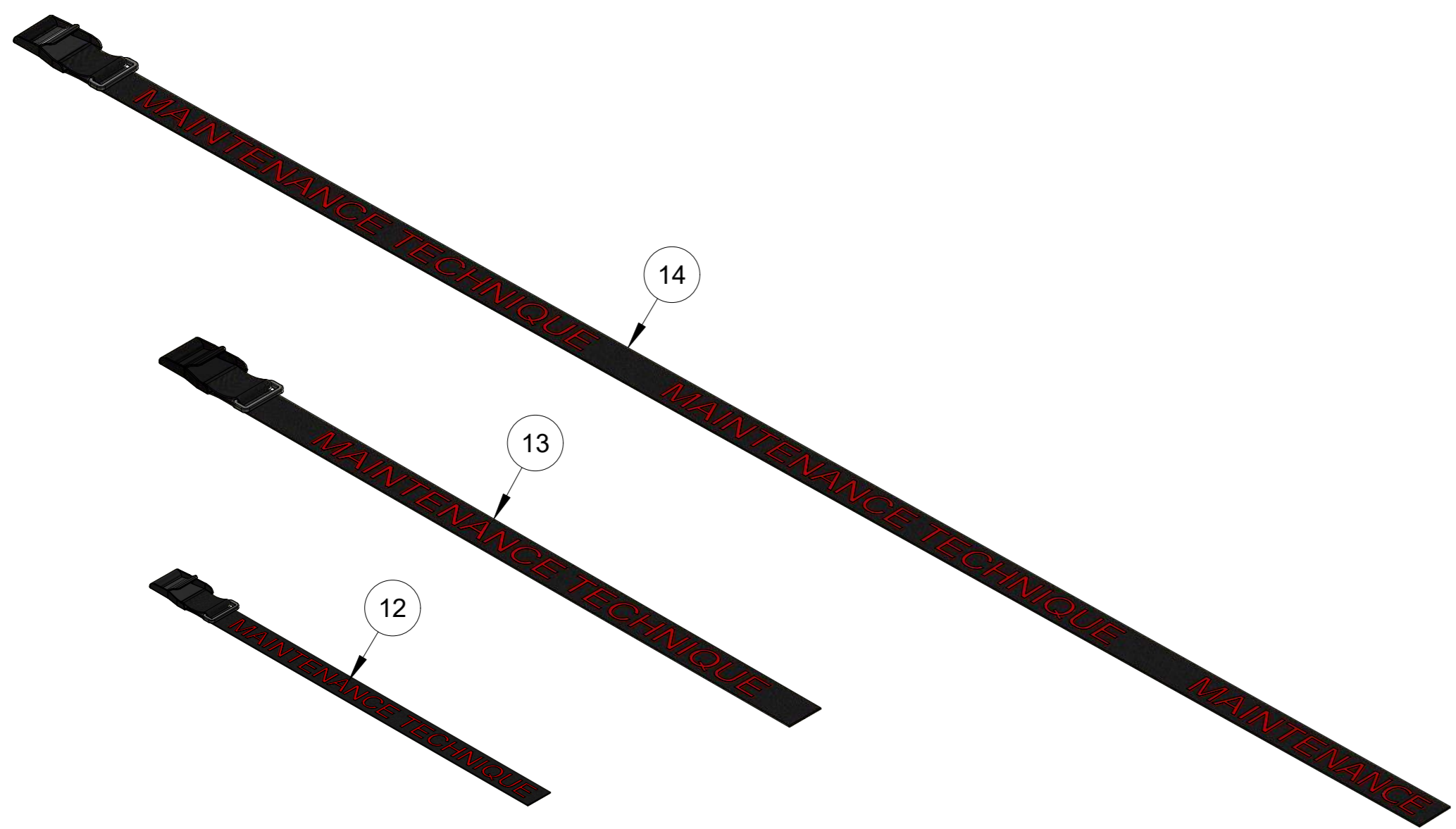
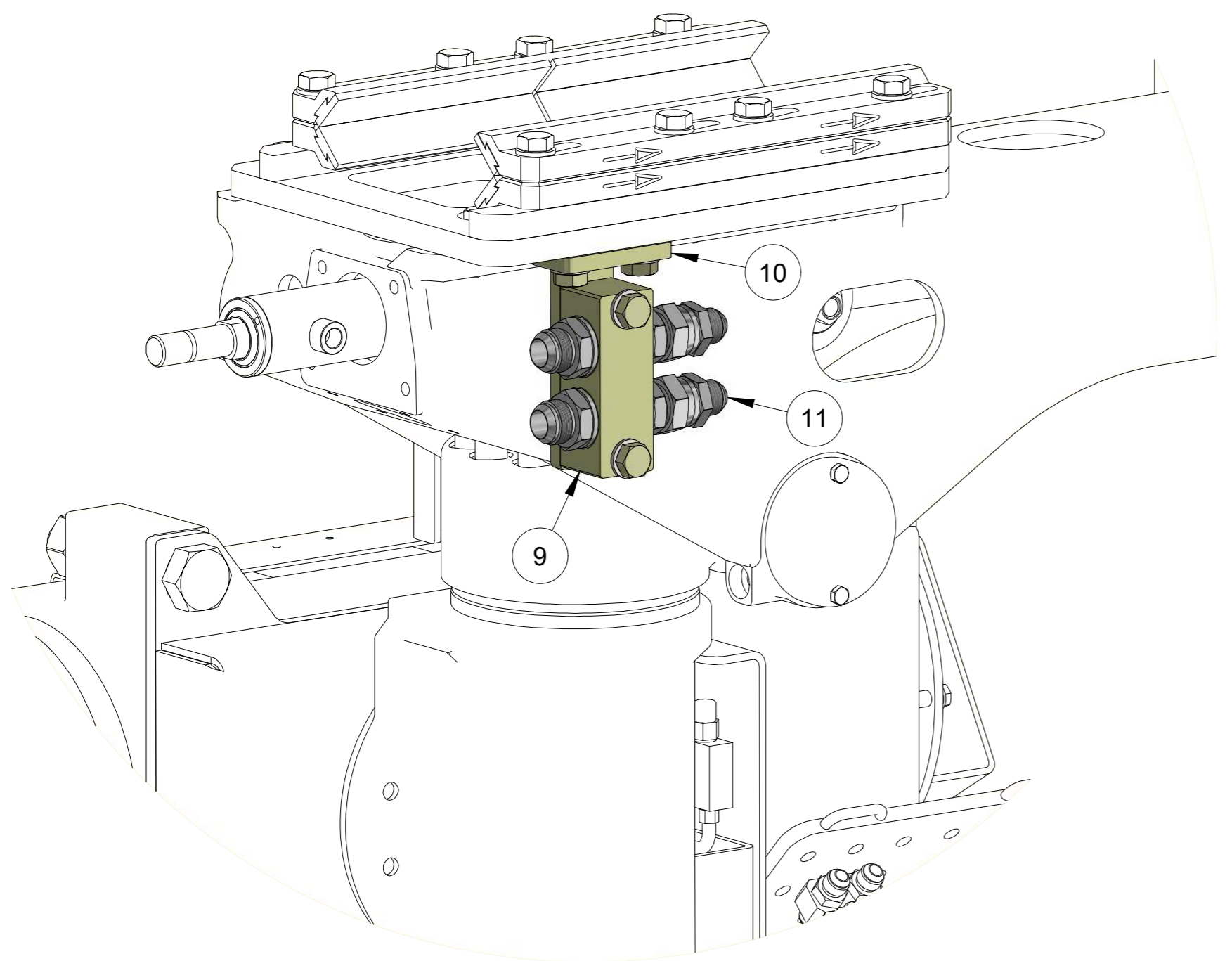
PART NUMBER MT3128 3146 92C	DESCRIPTION FEED HOLDER ASSEMBLY S7C
	
	
UNDERGROUND DRILL RELIABILITY	
MT Parts: 0407 059 610 1 Haehy Circuit, Roseworthy S.A. 5371 171 Dugan Street, Kalgoorlie W.A. 6430 parts@mtunderground.com www.mtunderground.com	
PAGE 2.4	

ITEM	PART NUMBER	DESCRIPTION	QTY	COMMENTS
1	MT3128 3146 161	OUTER TUBE STACK MANIFOLD	1	
2	MT3128 3146 162	COVER	1	
3	MT1209 09	BULKHEAD COMPLETE 9/16	5	
4	MT1212 12	BULKHEAD COMPLETE 3/4	8	
5	MT1214 14	BULKHEAD COMPLETE 7/8	2	
6	MT1217 17	BULKHEAD COMPLETE 1 1/16	3	
7	MT2J-10-12	REDUCING SWIVEL 7/8JICM - 1 1/16JICF	1	
8	MT3128 3063 18C	PERCUSSION BULKHEAD COMPLETE	1	



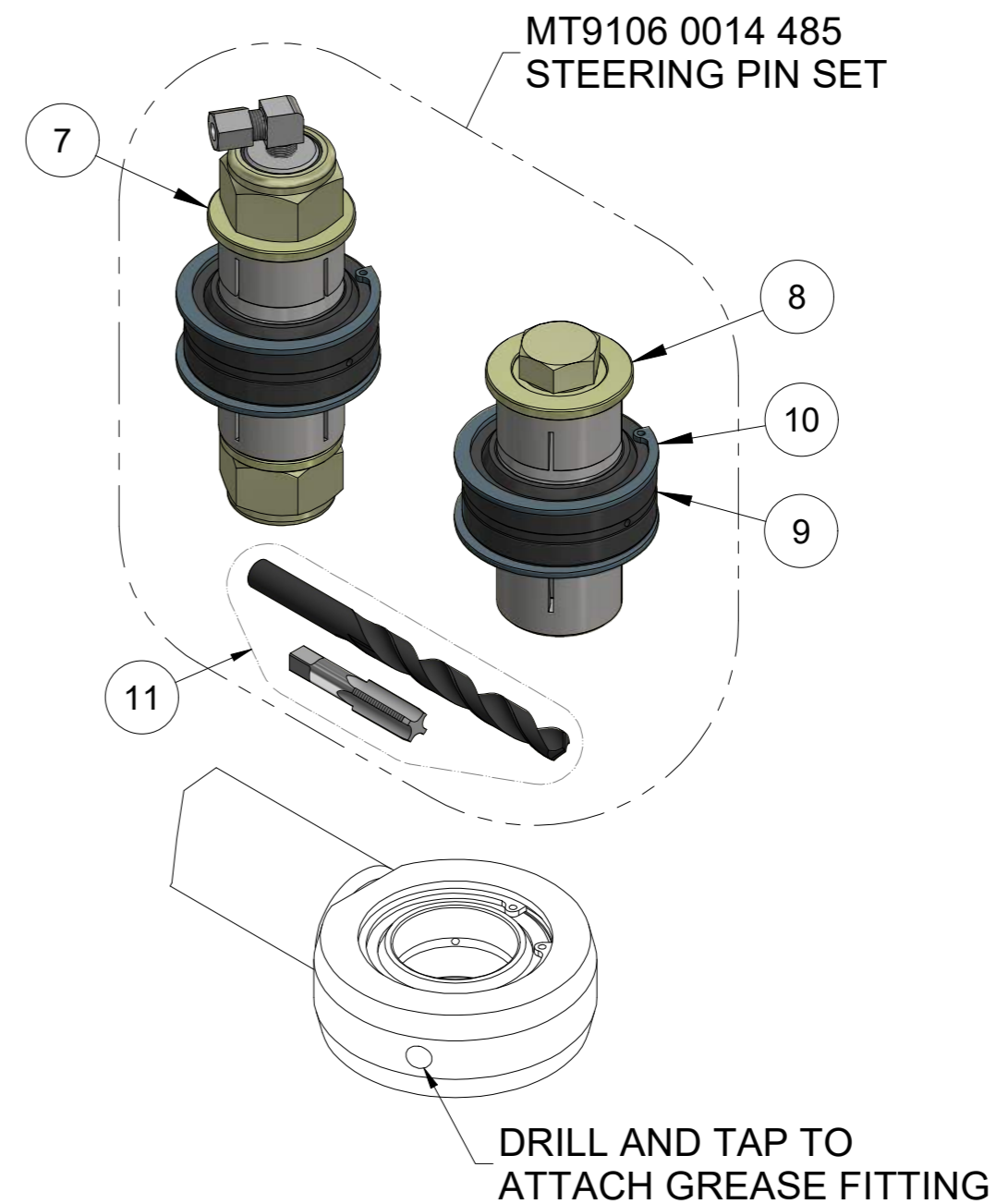
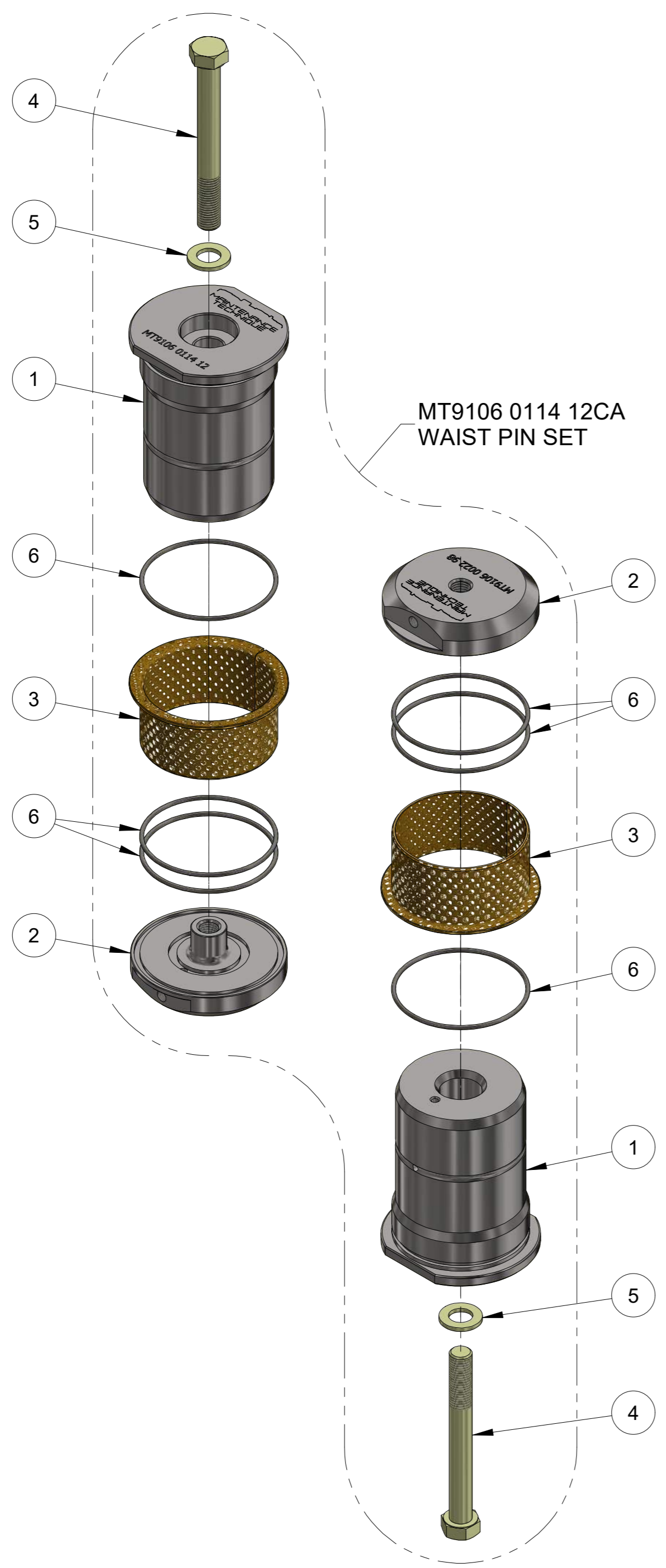
PART NUMBER	DESCRIPTION
MT3128 3146 161C	STACK MANIFOLD COMPLETE
	MAINTENANCE TECHNIQUE <small>UNDERGROUND DRILL RELIABILITY</small>
	MT Parts: 0407 059 610 1 Haehy Circuit, Roseworthy S.A. 5371 171 Dugan Street, Kalgoorlie W.A. 6430 parts@mtunderground.com www.mtunderground.com
PAGE	2.5

ITEM	PART NUMBER	DESCRIPTION	QTY	COMMENTS
1	MT3257 0001	BULKHEAD PLATE BUT32 S	1	
2	MT1209 09	BULKHEAD COMPLETE 9/16	5	
3	MT1212 12	BULKHEAD COMPLETE 3/4	10	
4	MT1214 14	BULKHEAD COMPLETE 7/8	2	
5	MT1217 17	BULKHEAD COMPLETE 1 1/16	3	
6	MT0291 1129 31	NUT	2	M30
7	MT0147 1722 08	BOLT	2	M30x180
8	MT3257 0001 BK	BOLT KIT	1	M12 (not inc. items 6 & 7)
9	MT3128 3063 18	PERCUSSION BULKHEAD	1	
10	MT3128 3063 180	BRACKET	1	
11	MT2J-12-16	REDUCING SWIVEL 1 1/16JICM - 1 5/16JICF	2	
12	MT3103 0112 10	STRAP MINI	10	18mm wide x 300mm long
13	MT3176 3681 00	STRAP SHORT	5	25mm wide x 500mm long
14	MT3115 0212 00	STRAP LONG	5	25mm wide x 1100mm long

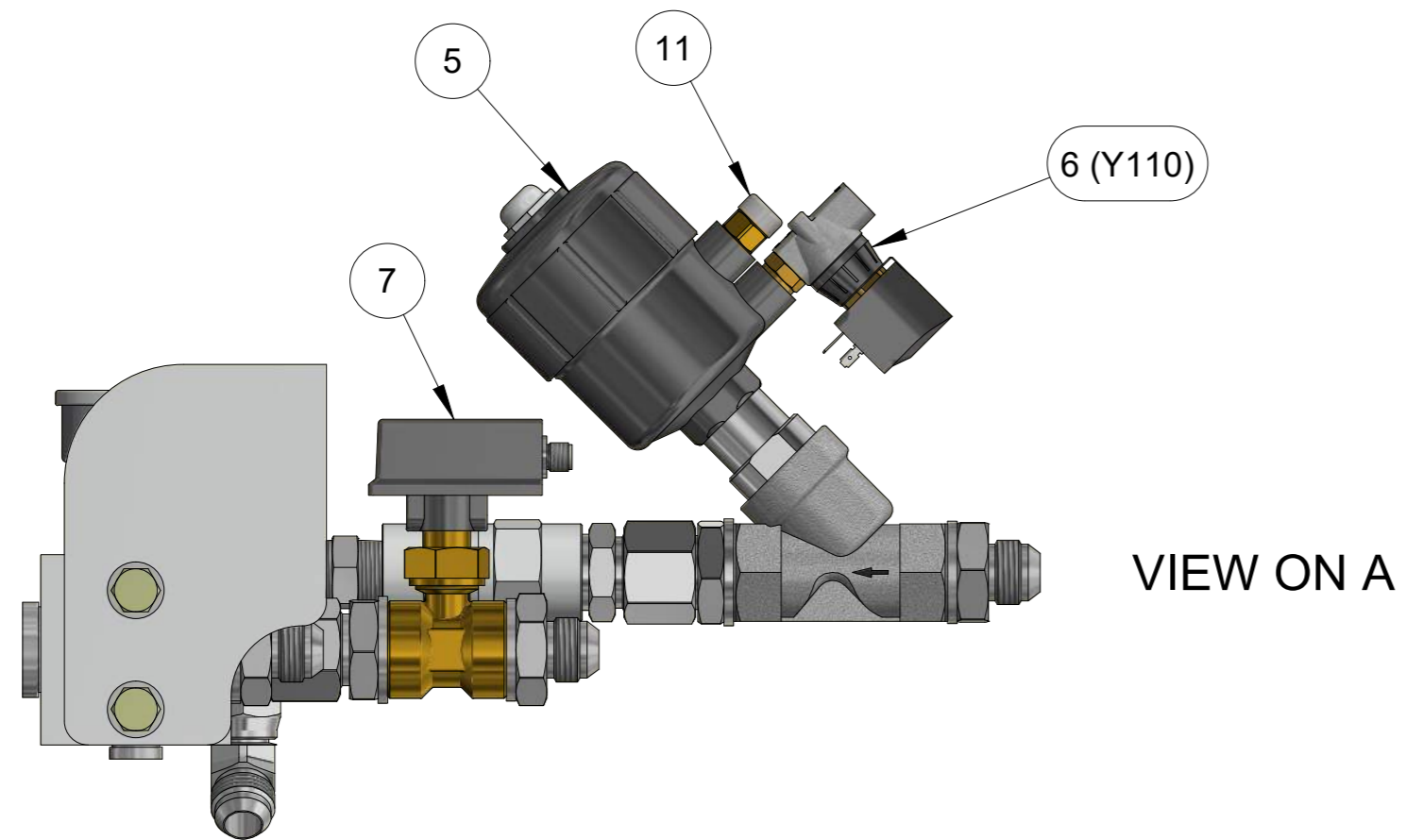


PART NUMBER MT3257 0001 CA	DESCRIPTION BULKHEAD COMPLETE
	
MT Parts: 0407 059 610 1 Haehy Circuit, Roseworthy S.A. 5371 171 Dugan Street, Kalgoorlie W.A. 6430 parts@mtunderground.com <small>PAGE</small> www.mtunderground.com 2.6	

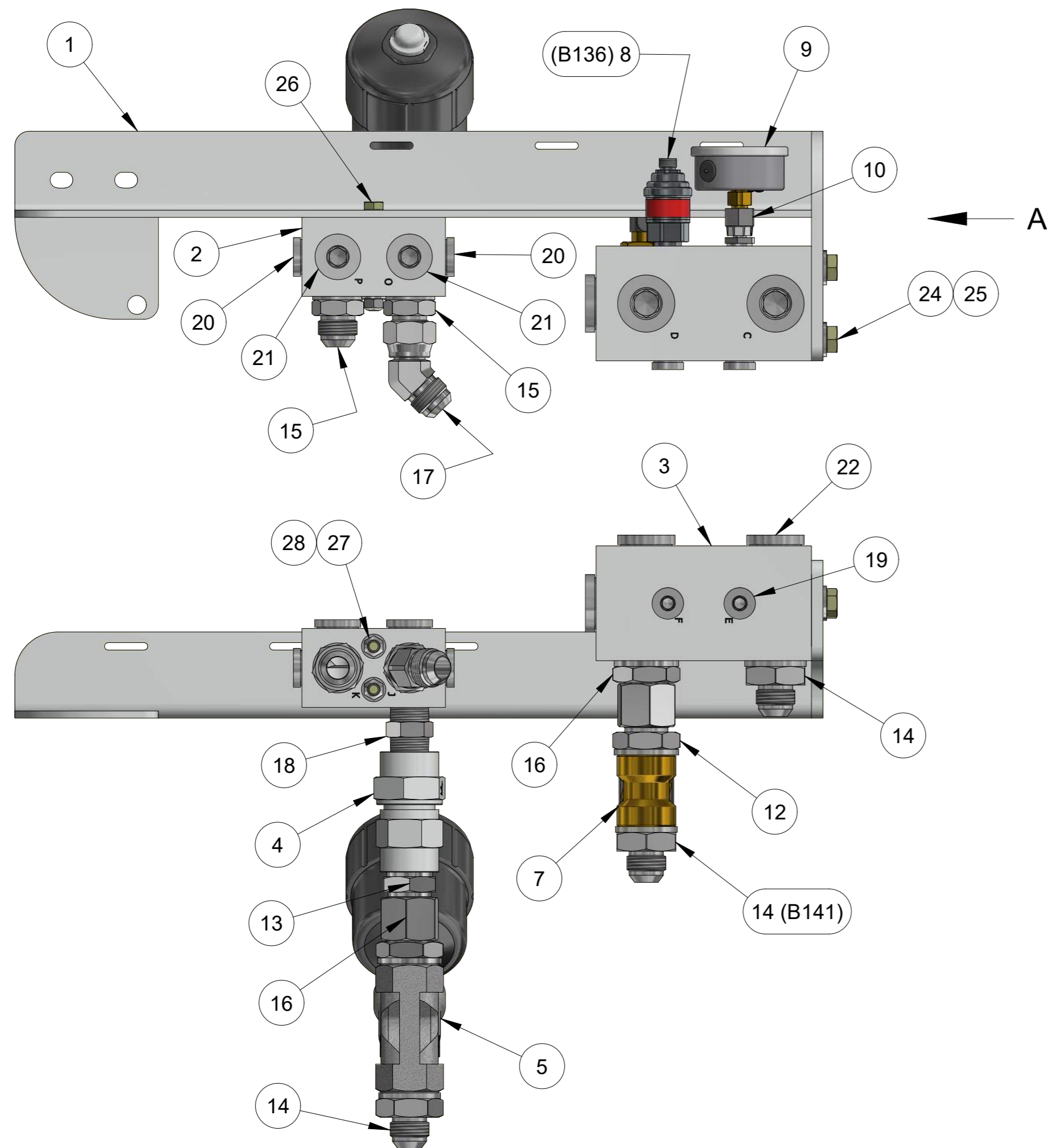
ITEM	PART NUMBER	DESCRIPTION	QTY	COMMENTS
1	MT9106 0114 12	WAIST PIN	2	
2	MT9106 0022 98	COVER	2	
3	MT0500 4500 03	FLANGE BEARING	2	
4	MT0147 1494 03	BOLT	2	
5	MT0301 2378 00	WASHER	2	
6	MT0663 6142 00	O-RING	6	
7	MT9106 0014 482	STEER PIN - BARREL END	1	
8	MT9106 0014 481	STEER PIN - ROD END	1	
9	MT0501 0016 00	SPHERICAL BEARING	2	
10	MT0335 2204 00	CIRCLIP	4	
11	MT0108 87	1/8" BSP TAP & DRILL SET	1	



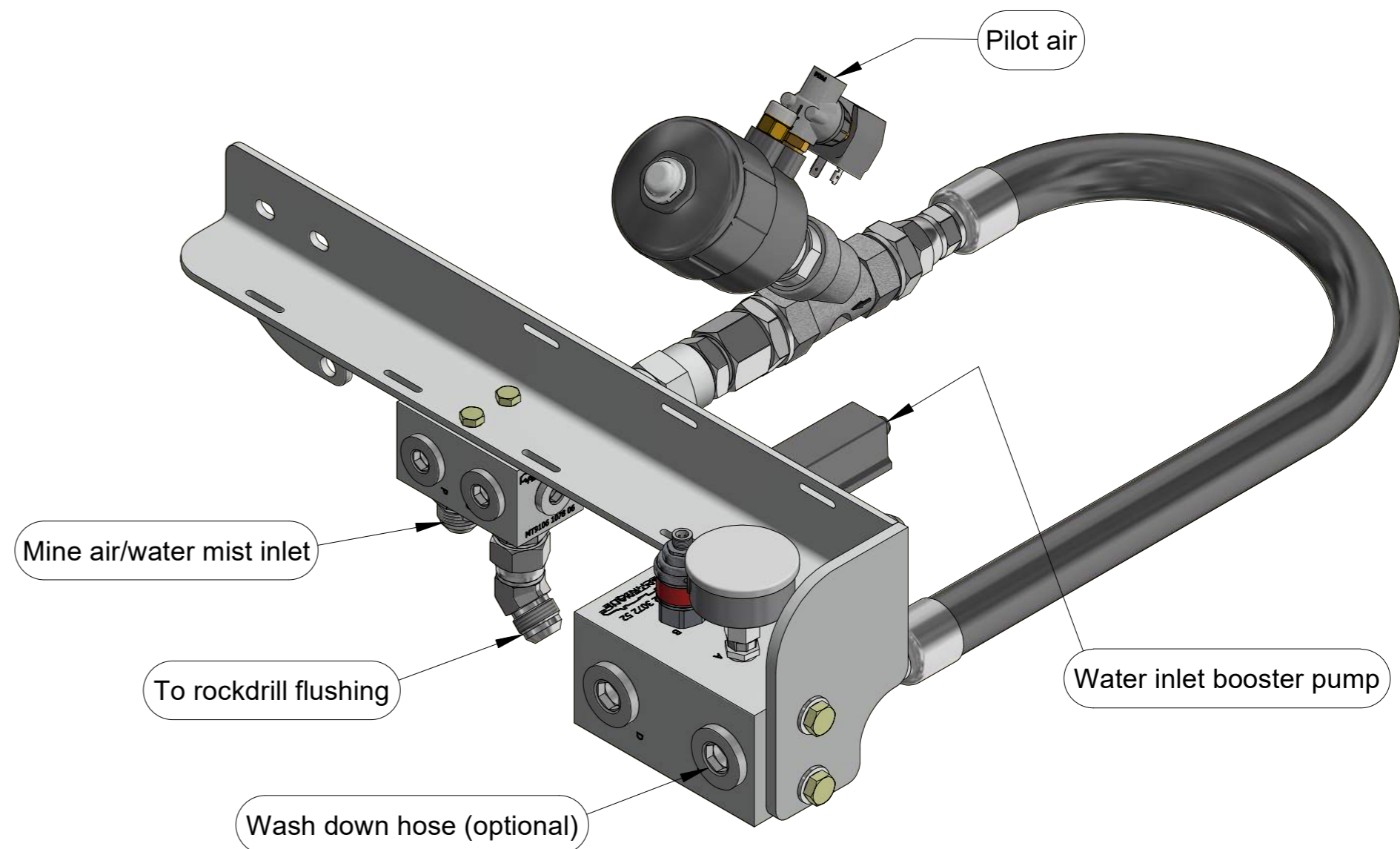
PART NUMBER	DESCRIPTION	MT Parts: 0407 059 610 1 Haesy Circuit, Roseworthy S.A. 5371 171 Dugan Street, Kalgoorlie W.A. 6430
	PIN SET	parts@mtunderground.com <small>PAGE</small>
MAINTENANCE TECHNIQUE <small>UNDERGROUND DRILL RELIABILITY</small>		www.mtunderground.com 2.7



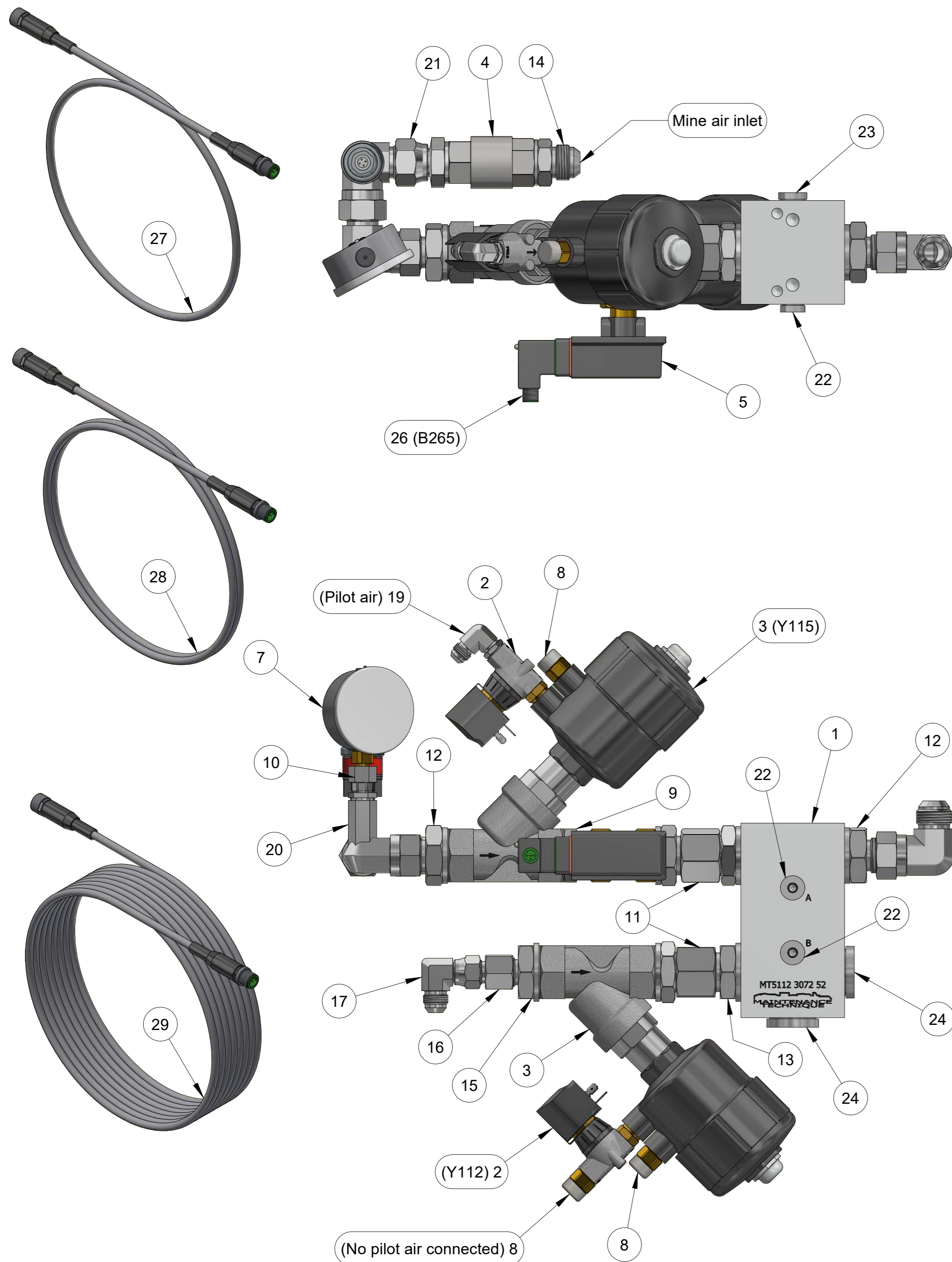
VIEW ON A



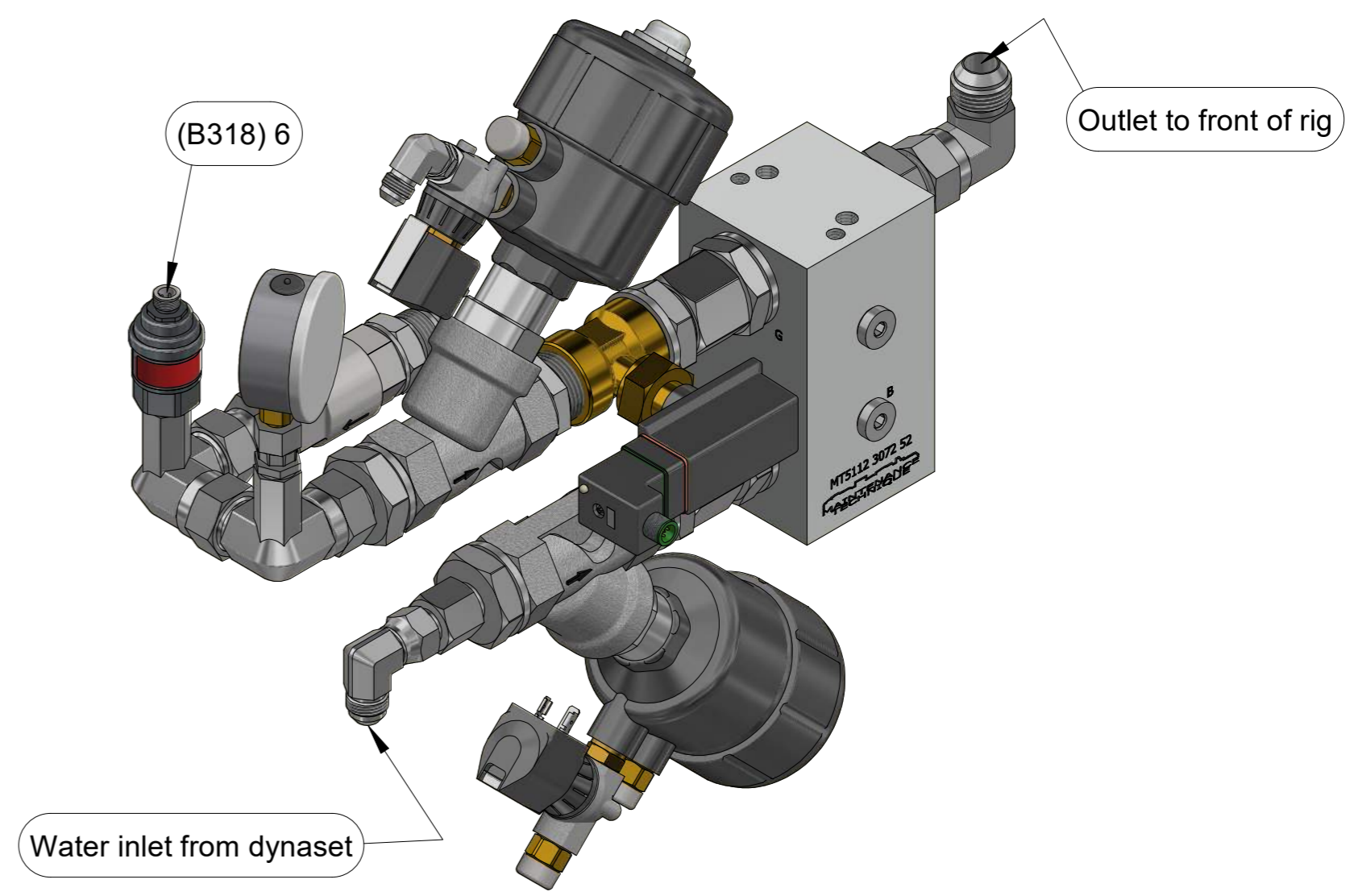
ITEM	PART NUMBER	DESCRIPTION	QTY	COMMENTS
1	MT9111 4178 51R	FLUSHING BRACKET S7C	1	
2	MT9106 1078 06	COLLECTION BLOCK S2	1	
3	MT5112 3072 52	COLLECTION BLOCK S1	1	
4	MT3217 9801 20	CHECK VALVE	1	
5	MT3217 9581 59	FLUSHING VALVE	1	
6	MT3217 9581 70	VALVE SET	1	
7	MT3217 9955 30	FLOW GUARD WATER	1	
8	MT9106 2192 01	PRESSURE TRANSDUCER	0	NOT SUPPLIED
9	MT3177 5031 00	PRESSURE GAUGE	1	
10	MT3217 1414 041	GAUGE ADAPTOR	1	
11	MT3177 0001 88	BREATHER	1	
12	MT1JG-16	BSP x JIC NIPPLE	1	part of FITTINGS KIT
13	MT1JG-16-12	BSP x JIC NIPPLE	1	part of FITTINGS KIT
14	MT1JG-12-16	BSP x JIC NIPPLE	3	part of FITTINGS KIT
15	MT1JG/1BJ-12	BSP x JIC NIPPLE	2	part of FITTINGS KIT
16	MTAABP-16-21	BSP x JIC NIPPLE	2	part of FITTINGS KIT
17	MT2J4-12	JIC ELBOW 45°	1	part of FITTINGS KIT
18	MT1T-12	BSPT MALE JOINER	1	part of FITTINGS KIT
19	MT3117 38BS PP	3/8" BSPP ALLEN PLUG	2	part of FITTINGS KIT
20	MT3117 12BS PP	BSPP PLUG	2	part of FITTINGS KIT
21	MT3117 34BS PP	3/4" BSPP ALLEN PLUG	2	part of FITTINGS KIT
22	MT3117 10BS PP	1" BSPP ALLEN PLUG	3	part of FITTINGS KIT
23	MT3217 9581 598FK	FITTINGS KIT	0	incl. items 12 - 22
24	MT0417 1400 03	SCREW	2	
25	MT0301 2358 00	WASHER	2	
26	MT0147 0870 88	BOLT	2	
27	MT0291 1128 18	LOCK NUT	2	
28	MT0301 2335 00	WASHER	2	



PART NUMBER	DESCRIPTION
MT3217 9581 598	S-SIMBA WATER FLUSHING
	
MT Parts: 0407 059 610 1 Haehy Circuit, Roseworthy S.A. 5371 171 Dugan Street, Kalgoorlie W.A. 6430 parts@mtunderground.com <small>PAGE</small> www.mtunderground.com	
2.8	

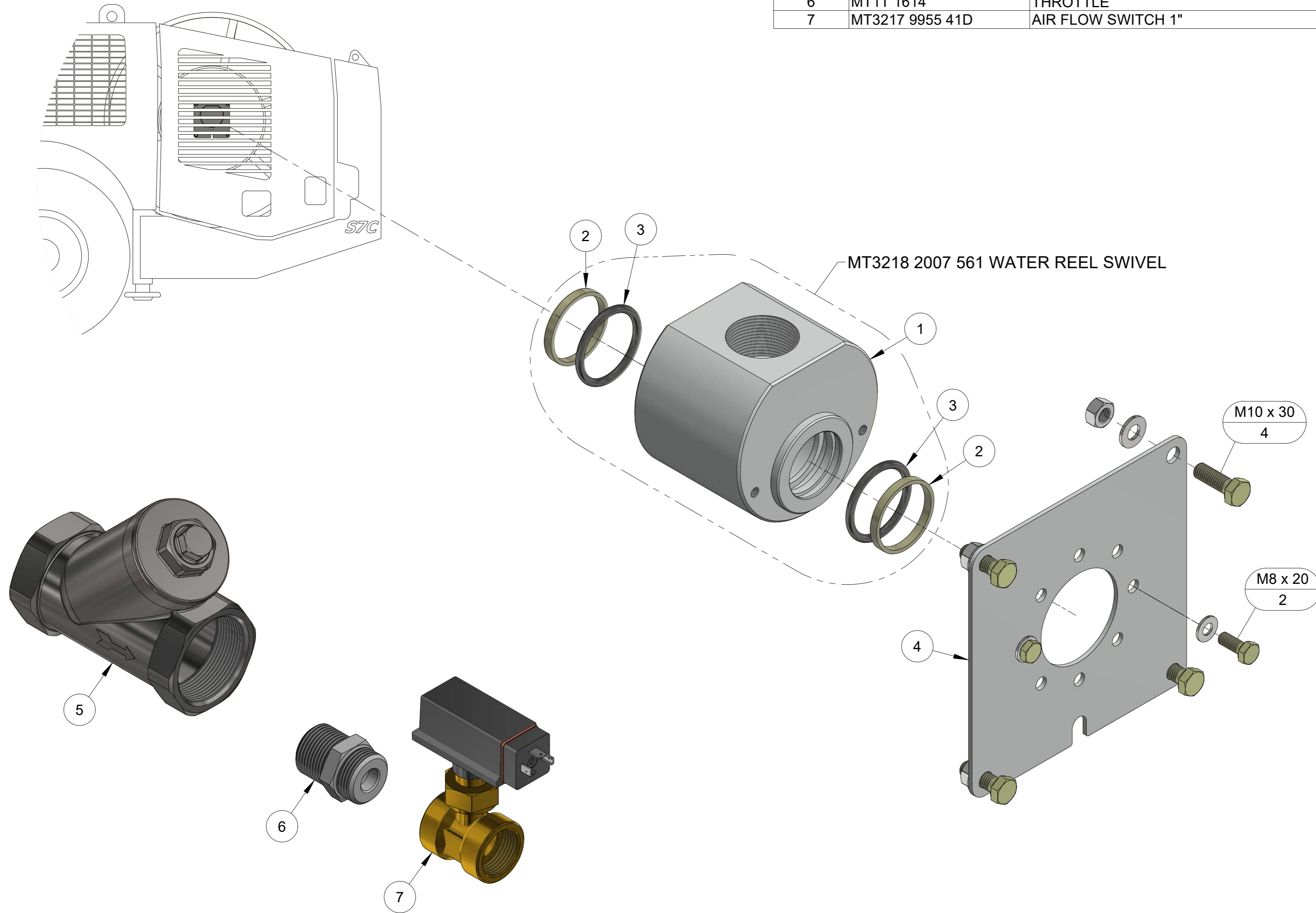


ITEM	PART NUMBER	DESCRIPTION	QTY	COMMENTS
1	MT5112 3072 52	COLLECTION BLOCK S1	1	
2	MT3217 9581 70	VALVE SET	2	
3	MT3217 9581 59	FLUSHING VALVE	2	
4	MT858 965 29	CHECK VALVE	1	
5	MT3217 9955 41D	FLOW GUARD WATER	1	
6	MT9106 2192 01	PRESSURE TRANSDUCER	0	350bar/RCS4 NOT SUPPLIED
7	MT3177 5021 00	PRESSURE GAUGE	1	
8	MT3177 0001 88	BREATHER	3	
9	MT1T 1614	PIPE NIPPLE THROTTLE	1	
10	MT3217 1414 041	GAUGE ADAPTOR	1	part of FITTINGS KIT
11	MTAABP-16-21	BSPP x JIC NIPPLE	2	part of FITTINGS KIT
12	MT1JG-12-16	BSPP x JIC NIPPLE	2	part of FITTINGS KIT
13	MT1JG-16	BSPP x JIC NIPPLE	2	part of FITTINGS KIT
14	MT1JG/1BJ-12	BSPP x JIC NIPPLE	1	part of FITTINGS KIT
15	MT1JB-10-16WD	BSPP x JIC NIPPLE	1	part of FITTINGS KIT
16	MT2J-08-10	JIC REDUCER	1	part of FITTINGS KIT
17	MT2J9-08	JIC ELBOW 90°	1	part of FITTINGS KIT
18	MT2J9-12	JIC ELBOW 90°	1	part of FITTINGS KIT
19	MT1JG9-06-04OG	BSPP x JIC ELBOW 90°	1	part of FITTINGS KIT
20	MT2J9-12-1	JIC ELBOW 90° + BSPP	2	part of FITTINGS KIT
21	MT12F640MXS	STRAIGHT ADAPTOR	1	part of FITTINGS KIT
22	MT3117 14BS PP	1/4" BSPP ALLEN PLUG	2	part of FITTINGS KIT
23	MT3117 38BS PP	3/8" BSPP ALLEN PLUG	2	part of FITTINGS KIT
24	MT3117 10BS PP	1" BSPP ALLEN PLUG	2	part of FITTINGS KIT
25	MT3217 9581 599FK	FITTINGS KIT	0	incl. items 8 - 24
26	MT9106 1458 538	SINGLE DIN ADAPTOR	3	M12
27	MT1211 1221 015	SIGNAL CABLE 1.5M	2	
28	MT1211 1221 025	SIGNAL CABLE 2.5M	1	
29	MT1711 1721 100	SIGNAL CABLE 10M	2	



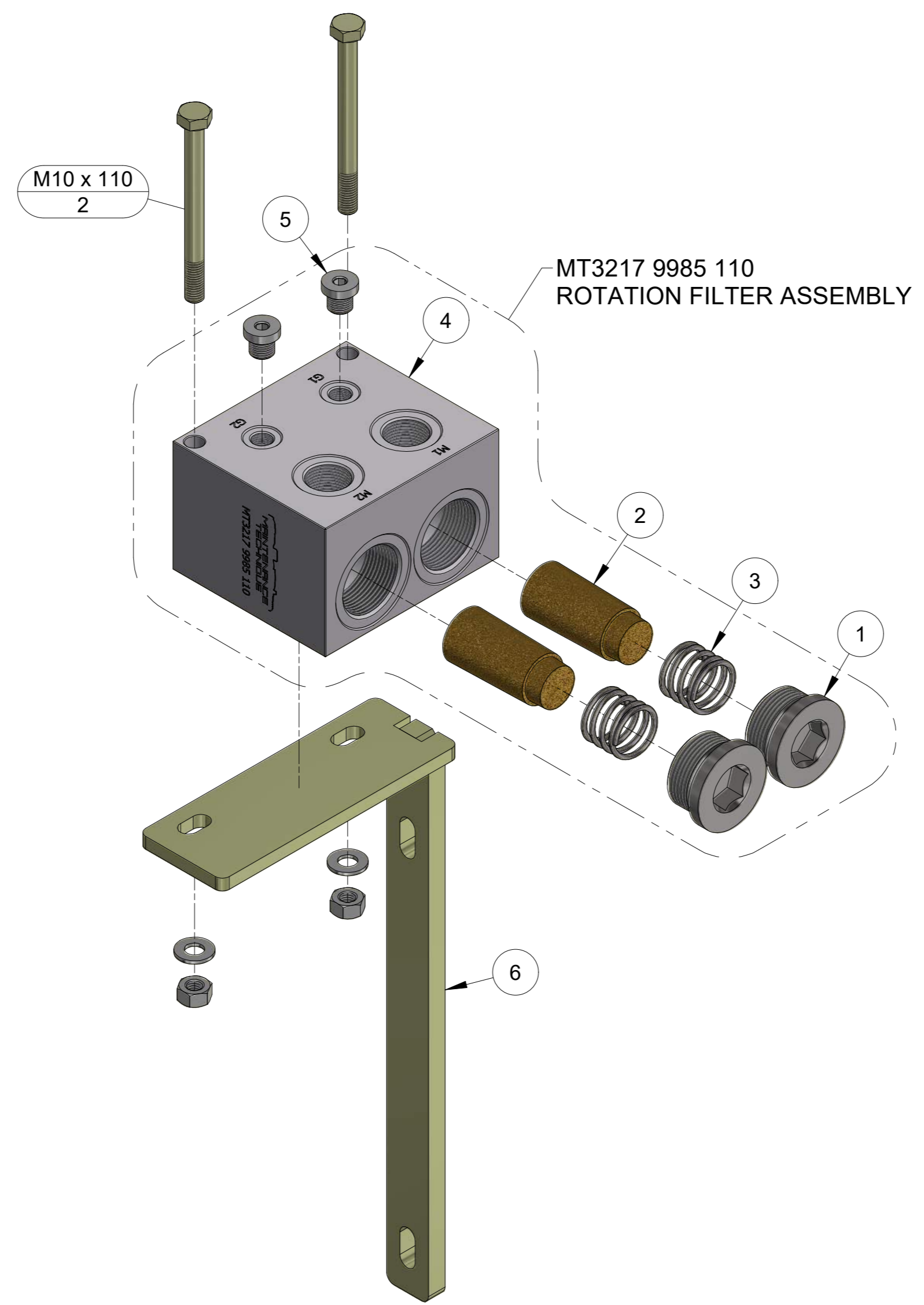
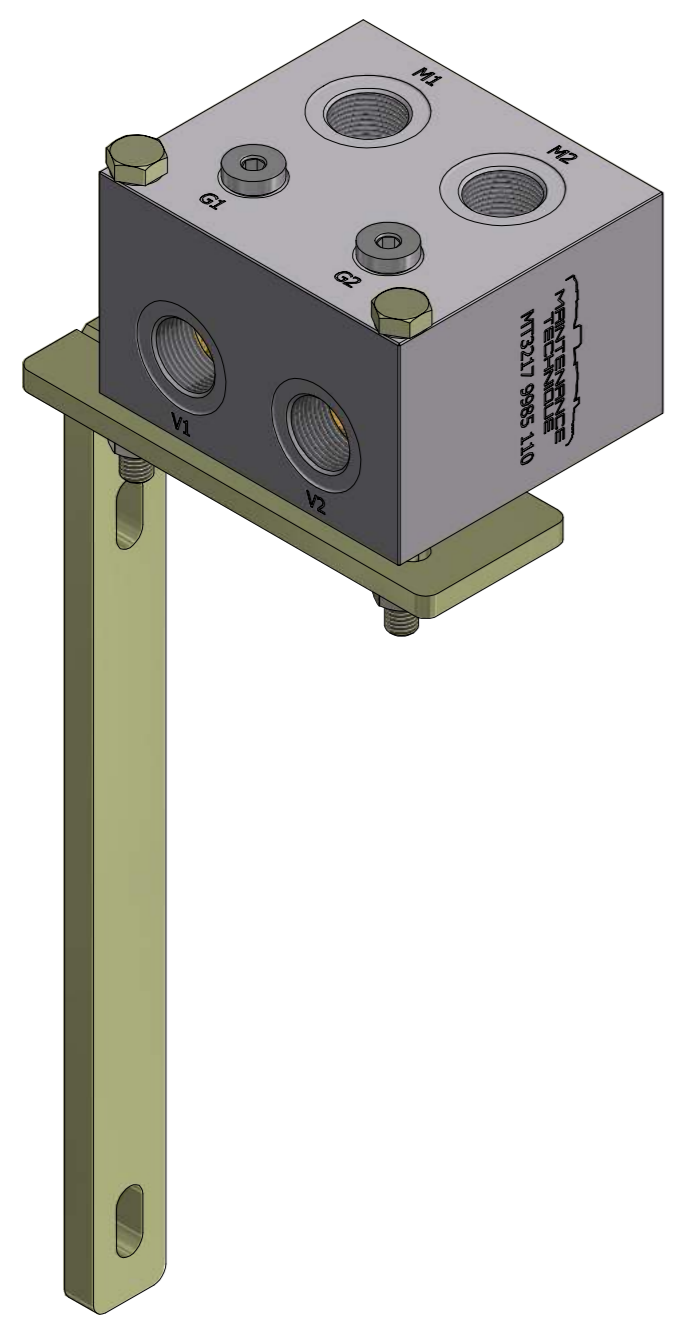
PART NUMBER MT3217 9581 599	DESCRIPTION S-SIMBA AIR MIST
	
MT Parts: 0407 059 610 1 Haehy Circuit, Roseworthy S.A. 5371 171 Dugan Street, Kalgoorlie W.A. 6430 parts@mtunderground.com <small>PAGE</small> www.mtunderground.com	
2.9	

ITEM	PART NUMBER	DESCRIPTION	QTY	COMMENTS
1	MT3218 2007 560	HOUSING	1	Stainless Steel
2	MT6060 0013 30	WEAR RING	2	
3	MT5112 3189 33	O-RING	2	
4	MT3218 2007 564	PLATE	1	
5	MT9111 4061 ST	STRAINER 2"	0	Sold separate
6	MT1T 1614	THROTTLE	0	Sold separate
7	MT3217 9955 41D	AIR FLOW SWITCH 1"	0	Sold separate



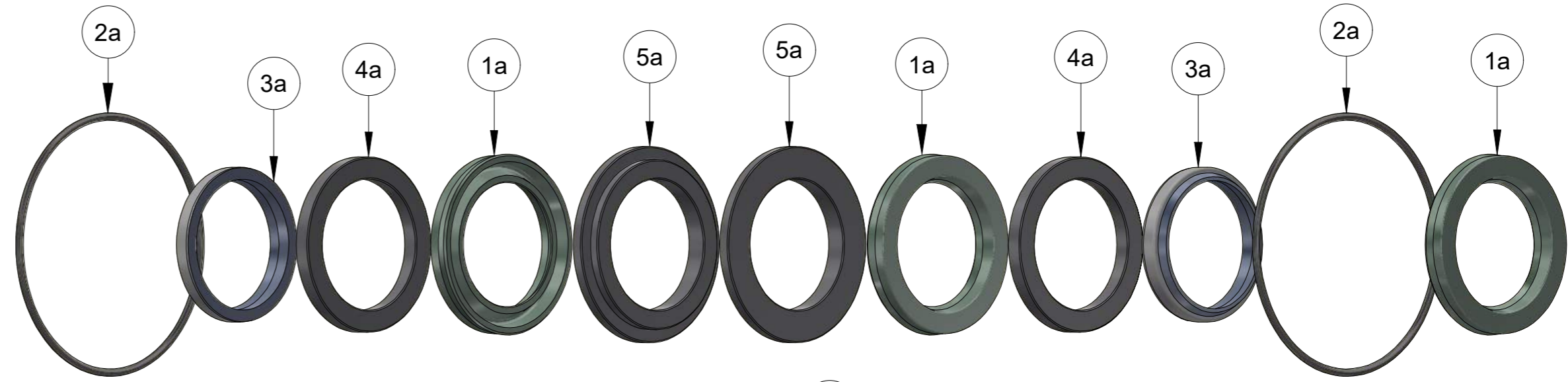
PART NUMBER MT3218 2007 56	DESCRIPTION WATER REEL SWIVEL COMPLETE
	<p>MT Parts: 0407 059 610 1 Hahey Circuit, Roseworthy S.A. 5371 171 Dugan Street, Kalgoorlie W.A. 6430 parts@mtunderground.com www.mtunderground.com</p>
 <p>MAINTENANCE TECHNIQUE UNDERGROUND DRILL RELIABILITY</p>	

ITEM	PART NUMBER	DESCRIPTION	QTY	COMMENTS
1	MT3217 9985 111	HEX PLUG & MAGNET	2	
2	MT3217 9985 112	IN-LINE PRESSURE FILTER ELEMENT	2	
3	MT3217 9985 113	SPRING	2	
4	MT3217 9985 115	ROTATION FILTER BODY	1	
5	MT3117 14BS PP	1/4" BSPP ALLEN PLUG	2	
6	MT3217 9985 116	FILTER MOUNT S SIMBA	1	

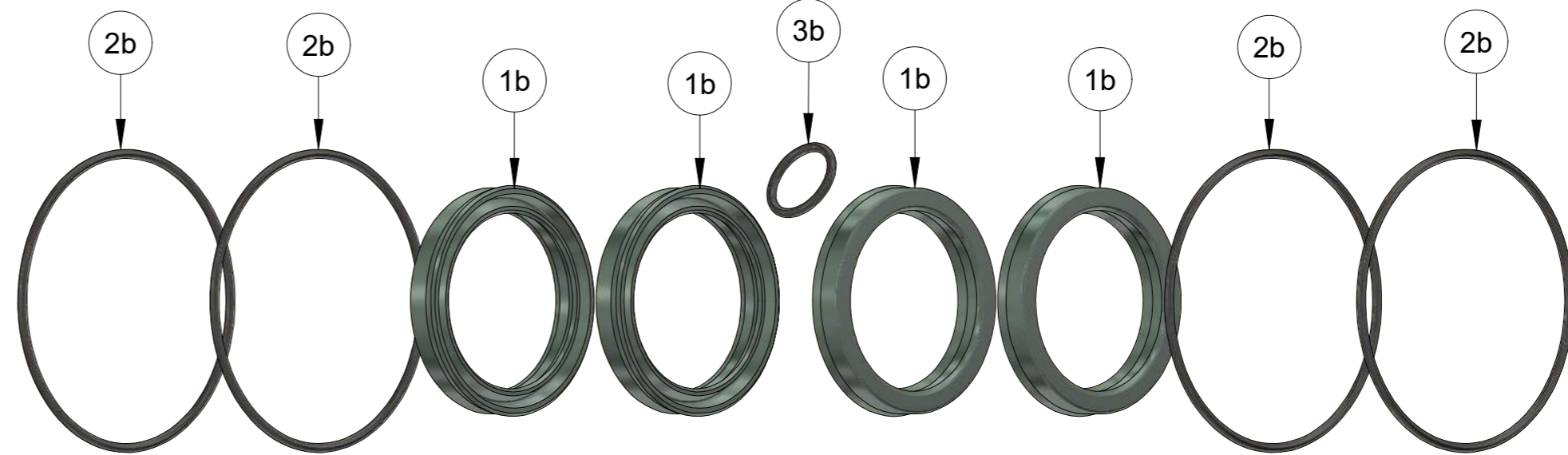


PART NUMBER	DESCRIPTION
MT3217 9985 117	ROTATION FILTER COMPLETE - S7
	
	
MT Parts: 0407 059 610 1 Hahey Circuit, Roseworthy S.A. 5371 171 Dugan Street, Kalgoorlie W.A. 6430 parts@mtunderground.com www.mtunderground.com	
UNDERGROUND DRILL RELIABILITY	

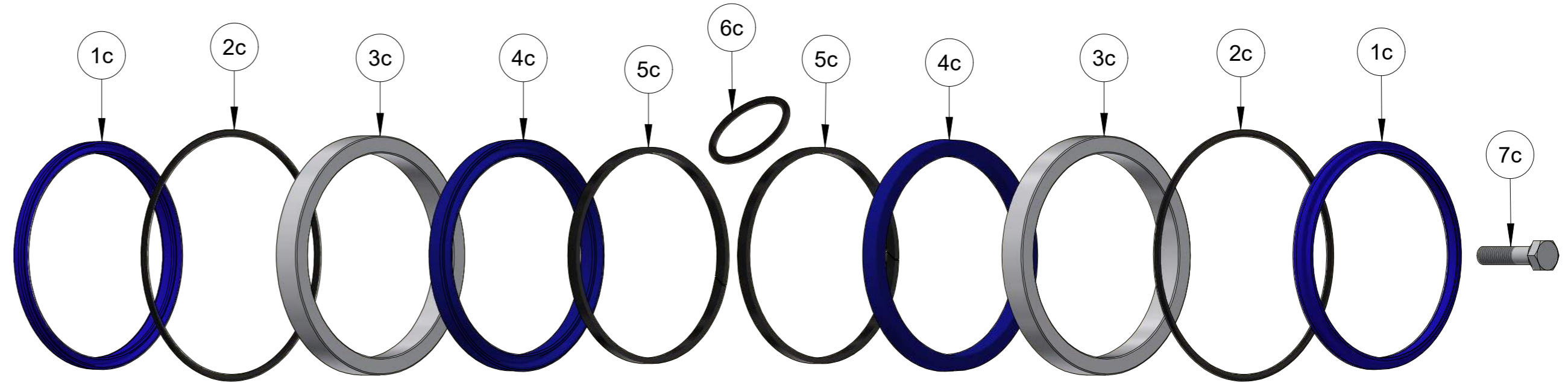
MT9754 0067 80 Flushing Kit 1838 MUX			
ITEM	PART NUMBER	DESCRIPTION	QTY
1a	MT3115 2386 00	CUP SEAL	3
2a	MT0663 2104 94	O-RING	2
3a	MT3115 3236 00	WIPER	2
4a	MT3115 3196 02	GUIDE	2
5a	MT3115 3197 02	GUIDE	2



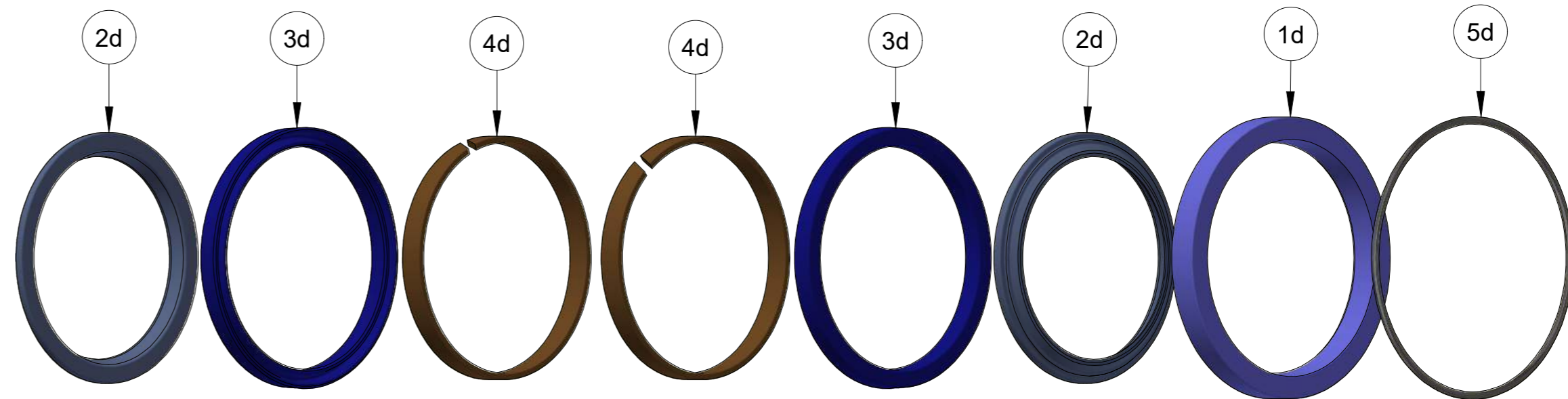
MT3115 2387 SK Flushing Kit 1838 MEX			
ITEM	PART NUMBER	DESCRIPTION	QTY
1b	MT3115 2387 00	CUP SEAL	4
2b	MT0663 6143 01	O-RING	4
3b	MT0663 2126 01	O-RING	1



MT3115 3060 SK Flushing Kit 3060 MUX			
ITEM	PART NUMBER	DESCRIPTION	QTY
1c	MT3115 5756 00	WIPER	2
2c	MT0663 6145 00	O-RING	2
3c	MT3115 5730 00	GUIDE	2
4c	MT3115 3059 00	CUP SEAL	2
5c	MT3115 5731 00	WEAR BAND	2
6c	MT0663 2131 00	O-RING	1
7c	MT0147 1327 03SS	SCREW	12



MT3115 3059 SK Flushing Kit 4050 MUX			
ITEM	PART NUMBER	DESCRIPTION	QTY
1d	MT3115 3044 00	CUP SEAL	1
2d	MT3115 3060 00	WIPER	2
3d	MT3115 3059 00	CUP SEAL	2
4d	MT3115 3058 00	GUIDE	2
5d	MT0663 2106 33	O-RING	1

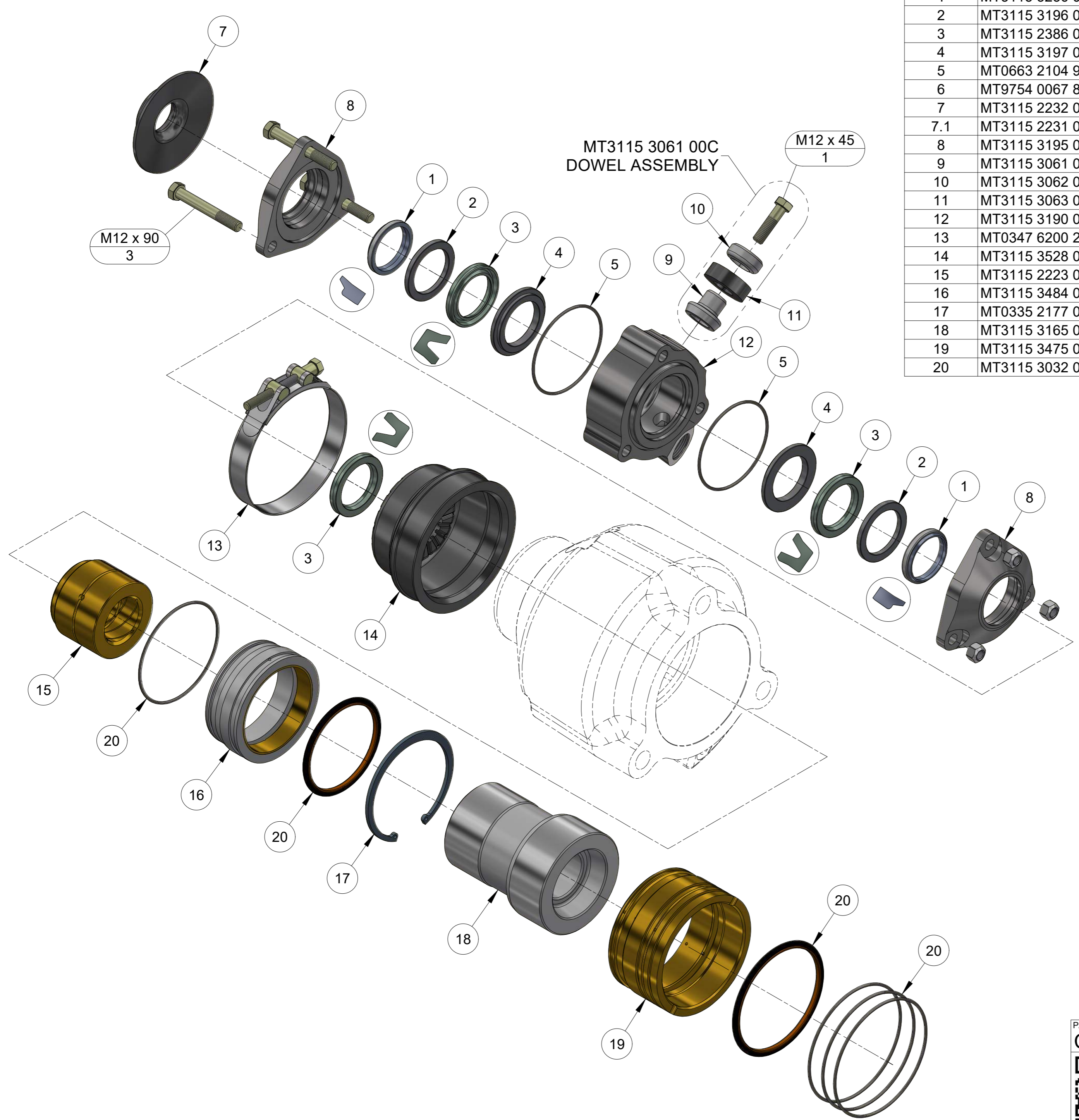


PART NUMBER MT3115 2387 SK	DESCRIPTION FLUSHING KIT 1838 MEX
PART NUMBER MT3115 3060 SK	DESCRIPTION FLUSHING KIT 3060 MUX
PART NUMBER MT3115 3059 SK	DESCRIPTION FLUSHING KIT 4050 MUX

PART NUMBER: MT9754 0067 80
DESCRIPTION: FLUSHING KIT 1838 MUX



MT Parts: 0407 059 610
1 Haehy Circuit, Roseworthy S.A. 5371
171 Dugan Street, Kalgoorlie W.A. 6430
parts@mtunderground.com
www.mtunderground.com



ITEM	PART NUMBER	DESCRIPTION	QTY	COMMENTS
1	MT3115 3236 00	WIPER	2	
2	MT3115 3196 02	GUIDE	2	
3	MT3115 2386 00	CUP SEAL	3	
4	MT3115 3197 02	GUIDE	2	
5	MT0663 2104 94	O-RING	2	
6	MT9754 0067 80	FLUSHING KIT		Includes items 1 - 5
7	MT3115 2232 00	DRILL COLLAR ST45	1	
7.1	MT3115 2231 00	DRILL COLLAR ST38	1	
8	MT3115 3195 01	COVER	2	
9	MT3115 3061 00	DOWEL PIN	1	
10	MT3115 3062 00	WASHER	1	
11	MT3115 3063 00	BUSHING	1	
12	MT3115 3190 00	FLUSHING HEAD	1	
13	MT0347 6200 21	HOSE CLAMP	1	
14	MT3115 3528 00	SEAL RETAINER	1	
15	MT3115 2223 02	GUIDE	1	
16	MT3115 3484 00	FRONT BUSH	1	
17	MT0335 2177 00	CIRCLIP	1	
18	MT3115 3165 00	PISTON	1	
19	MT3115 3475 00	REAR BUSH	1	
20	MT3115 3032 00SK	EXTRACTOR SEAL KIT	1	

PART NUMBER COP 1838MUX	DESCRIPTION FRONT HEAD PARTS
	<p>MT Parts: 0407 059 610 1 Haesy Circuit, Roseworthy S.A. 5371 171 Dugan Street, Kalgoorlie W.A. 6430 parts@mtunderground.com www.mtunderground.com</p>
 <p>MAINTENANCE TECHNIQUE UNDERGROUND DRILL RELIABILITY</p>	