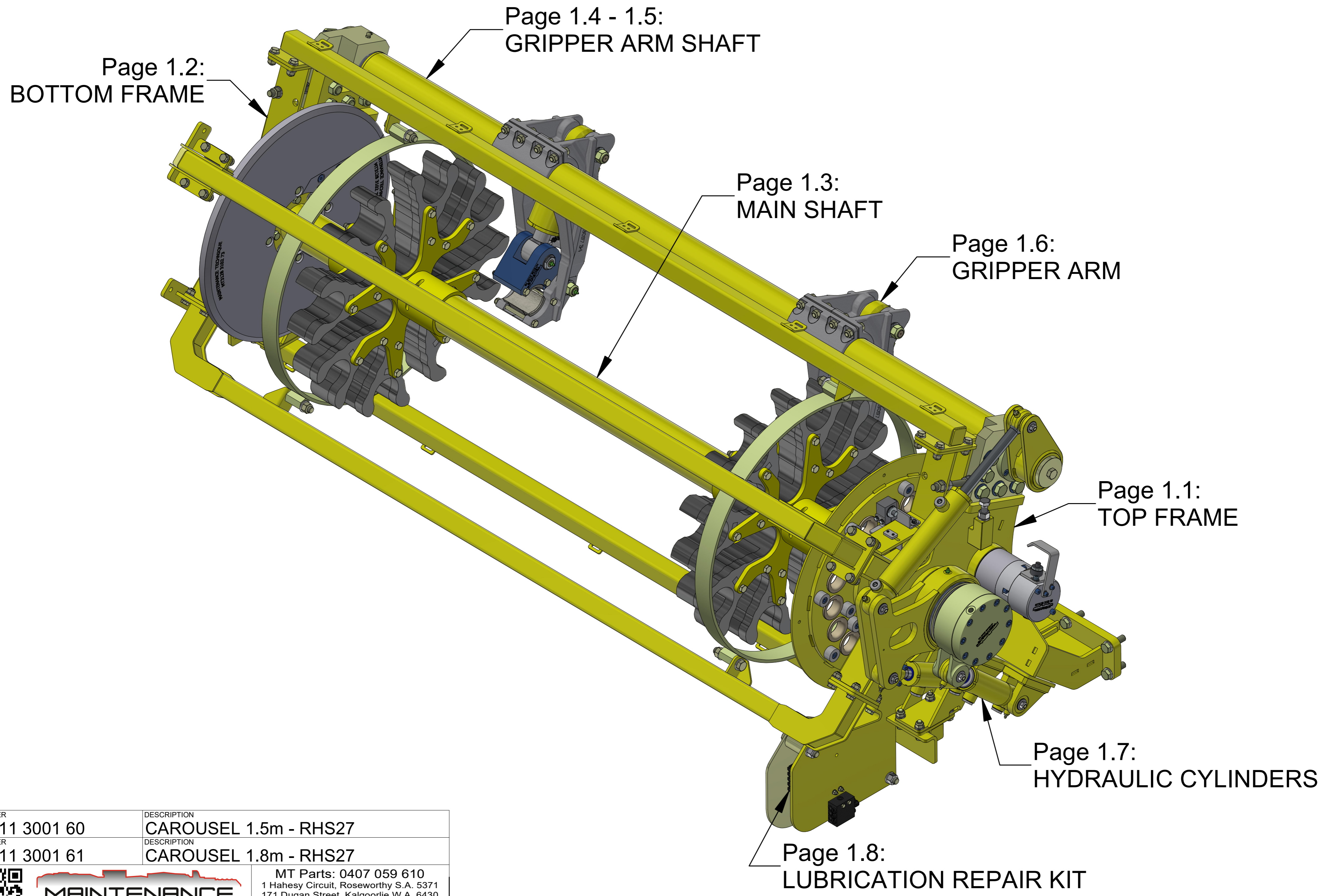


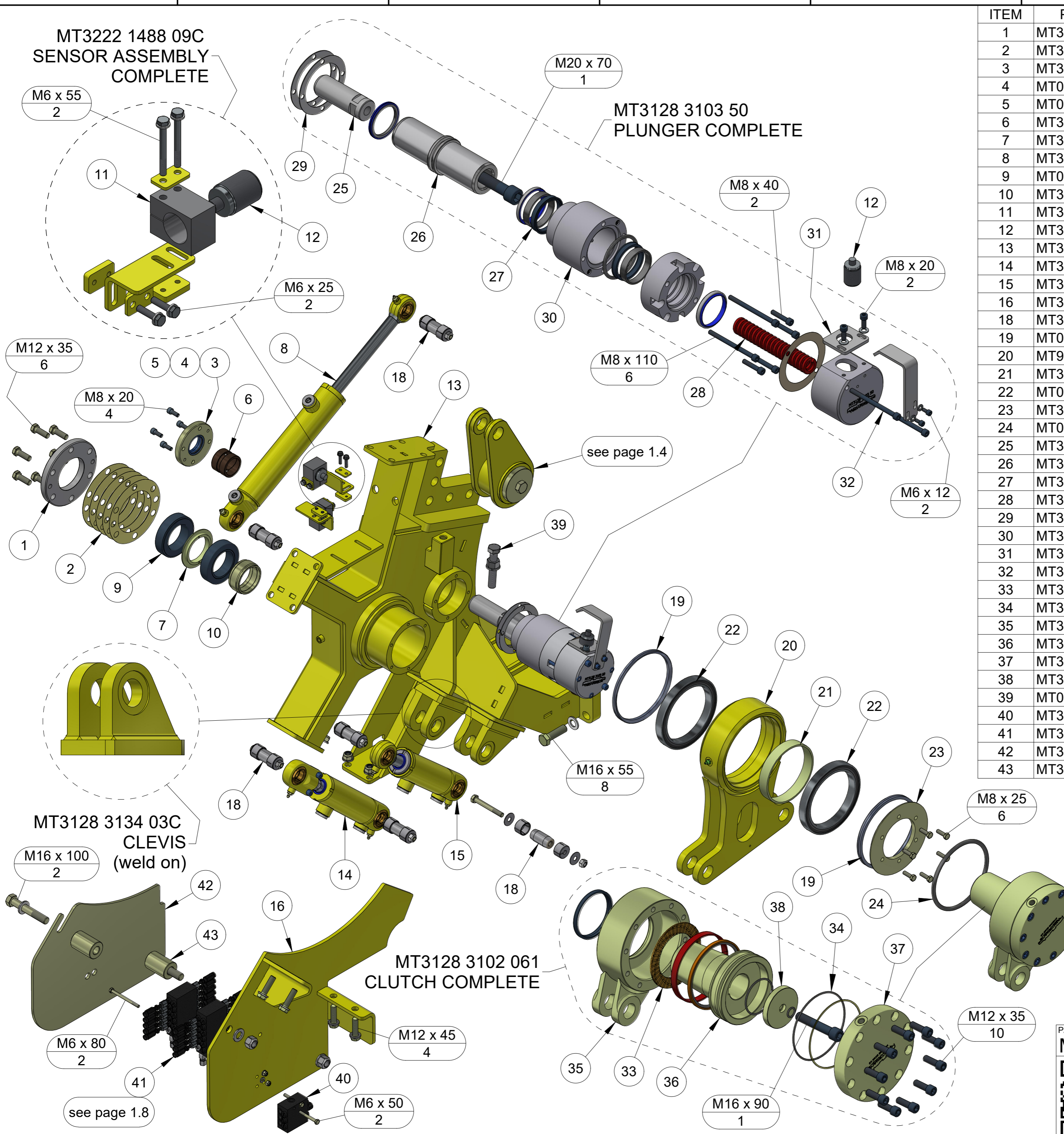


PART NUMBER	DESCRIPTION
MTL6 RHS27 CA	POSITIONING / FEED ASSEMBLY
	MAINTENANCE TECHNIQUE <small>UNDERGROUND DRILL RELIABILITY</small>
	MT Parts: 0407 059 610 1 Hahey Circuit, Roseworthy S.A. 5371 171 Dugan Street, Kalgoorlie W.A. 6430 parts@mtunderground.com www.mtunderground.com

SECTION 1: CAROUSEL




PART NUMBER MT9111 3001 60	DESCRIPTION CAROUSEL 1.5m - RHS27
PART NUMBER MT9111 3001 61	DESCRIPTION CAROUSEL 1.8m - RHS27
	
	
MT Parts: 0407 059 610 1 Haesy Circuit, Roseworthy S.A. 5371 171 Dugan Street, Kalgoorlie W.A. 6430 parts@mtunderground.com www.mtunderground.com	
UNDERGROUND DRILL RELIABILITY	



ITEM	PART NUMBER	DESCRIPTION	QTY	COMMENTS
1	MT3128 3102 14	COVER	1	
2	MT3128 3115 79	SHIM	5	
3	MT3128 3102 17S	COVER	1	Includes items 4 & 5
4	MT0665 9170 01	WIPER	1	
5	MT0665 9170 011	RADIAL SHAFT SEAL	1	
6	MT3128 3102 18	PLAIN BEARING	1	
7	MT3128 3102 13	SPACER	1	
8	MT3128 3134 04	CYLINDER - SWING	1	See page 1.7
9	MT0501 0000 51	BEARING	2	
10	MT3128 3102 12	SPACER RHS	1	
11	MT3128 3020 94	CLAMP	2	
12	MT3222 1488 09	INDUCTIVE SENSOR	3	
13	MT3128 3101 97	END PIECE	1	
14	MT3128 3134 03	CYLINDER - PARK	1	See page 1.7
15	MT3128 3134 02	CYLINDER - INDEX	1	See page 1.7
16	MT3128 3117 14	PROTECTION	1	
18	MT3128 3104 72	RHS PIN COMPLETE	6	
19	MT0666 8097 02	V-RING SEAL	2	
20	MT9111 4088 50	LINK ARM	1	
21	MT3128 3102 09	SPACER	1	
22	MT0502 1091 94	BALL BEARING	2	
23	MT3128 3102 08	COVER	1	
24	MT0663 2158 00	O-RING	1	
25	MT3128 3103 53	PLUNGER	1	
26	MT3128 3103 52	PISTON ROD	1	
27	MT3128 3103 SK	PLUNGER SEAL KIT	1	Complete (7 items)
28	MT3128 3083 72	SPRING	1	
29	MT3128 3097 40	SHIM	3	
30	MT3128 3103 51	HOUSE	1	
31	MT3128 3103 502	SENSOR MOUNT PLATE	1	
32	MT3128 3103 50BK	BOLT KIT	1	
33	MT3214 7790 00	DISC	1	
34	MT3128 3102 061SK	CLUTCH SEAL KIT	1	Complete (7 items)
35	MT3128 3102 06	ARM	1	
36	MT3128 2206 00	PISTON ROD	1	
37	MT3128 3102 15	COVER (CLUTCH)	1	
38	MT3128 2288 00	COVER (RETAINER)	1	
39	MT0147 1961 80C	SCREW & NUT	1	
40	MT3128 2538 17	GREASE DISTRIBUTOR BLOCK	1	6 port E7C, ME7C only
41	MT3128 2538 18	GREASE DISTRIBUTOR BLOCK	2	12 port
42	MT3128 3117 141	GREASE BLOCK PROTECTION	1	
43	MT3128 3117 142	SPACER	2	

PART NUMBER: **MT9111 3001 61-2** DESCRIPTION: **TOP FRAME - RHS27**

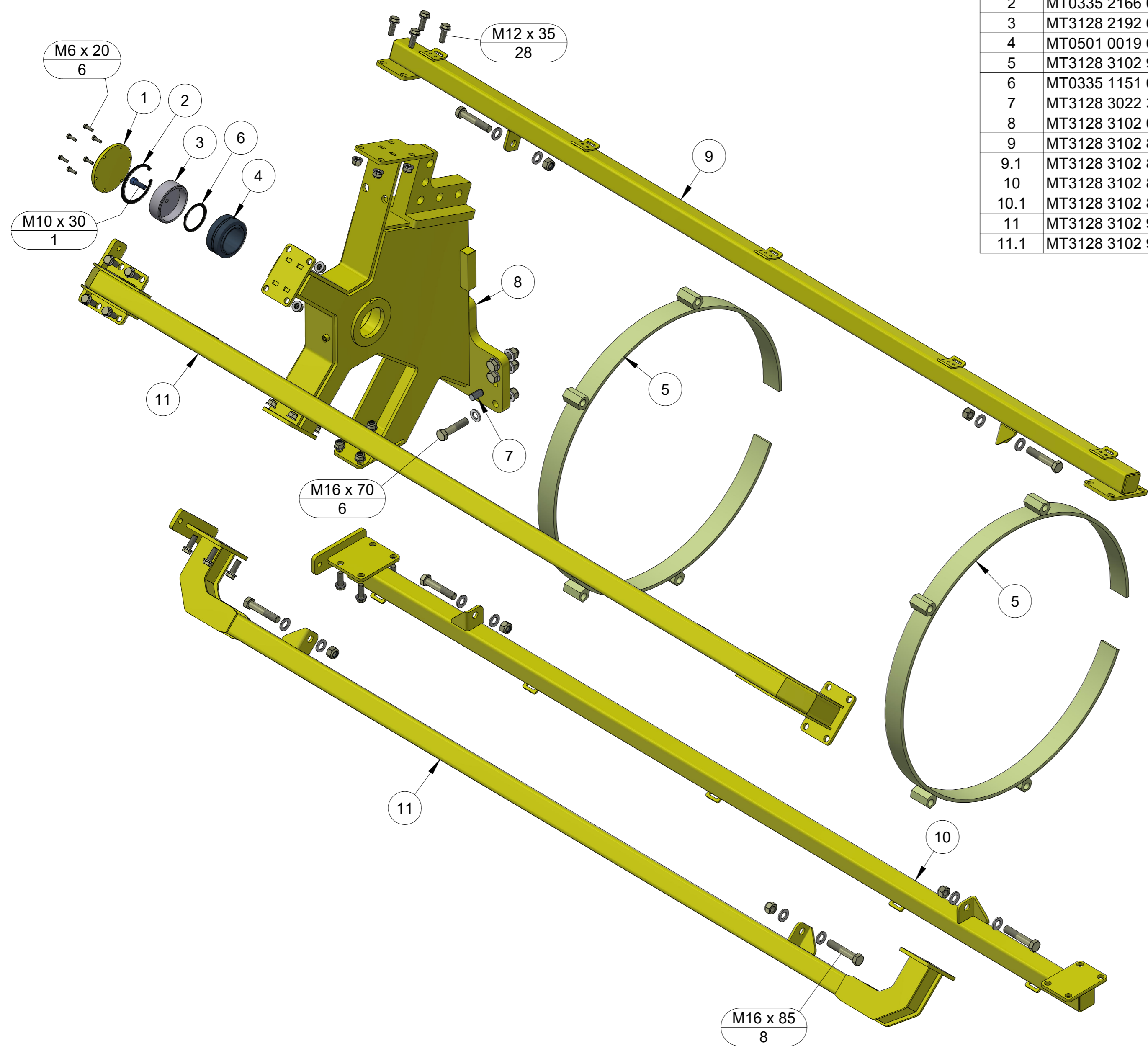


MAINTENANCE TECHNIQUE
UNDERGROUND DRILL RELIABILITY


MT Parts: 0407 059 610
1 Haesy Circuit, Roseworthy S.A. 5371
171 Dugan Street, Kalgoorlie W.A. 6430
parts@mtunderground.com www.mtunderground.com


PAGE **1.1**

ITEM	PART NUMBER	DESCRIPTION	QTY	COMMENTS
1	MT3128 3102 16	COVER	1	
2	MT0335 2166 00	CIRCLIP	1	
3	MT3128 2192 00	SPACER	1	
4	MT0501 0019 01	BEARING	1	
5	MT3128 3102 93	PROTECTION ARCH	2	
6	MT0335 1151 00	CIRCLIP	1	
7	MT3128 3022 32	DOWEL	2	
8	MT3128 3102 00	END PIECE	1	
9	MT3128 3102 84	STAY	1	1.8m
9.1	MT3128 3102 845	STAY	1	1.5m
10	MT3128 3102 88	STAY	1	1.8m
10.1	MT3128 3102 885	STAY	1	1.5m
11	MT3128 3102 92	STAY	2	1.8m
11.1	MT3128 3102 925	STAY	2	1.5m



PART NUMBER	DESCRIPTION
MT9111 3001 60-3	BOTTOM FRAME 1.5m - RHS27
PART NUMBER	DESCRIPTION
MT9111 3001 61-3	BOTTOM FRAME 1.8m - RHS27

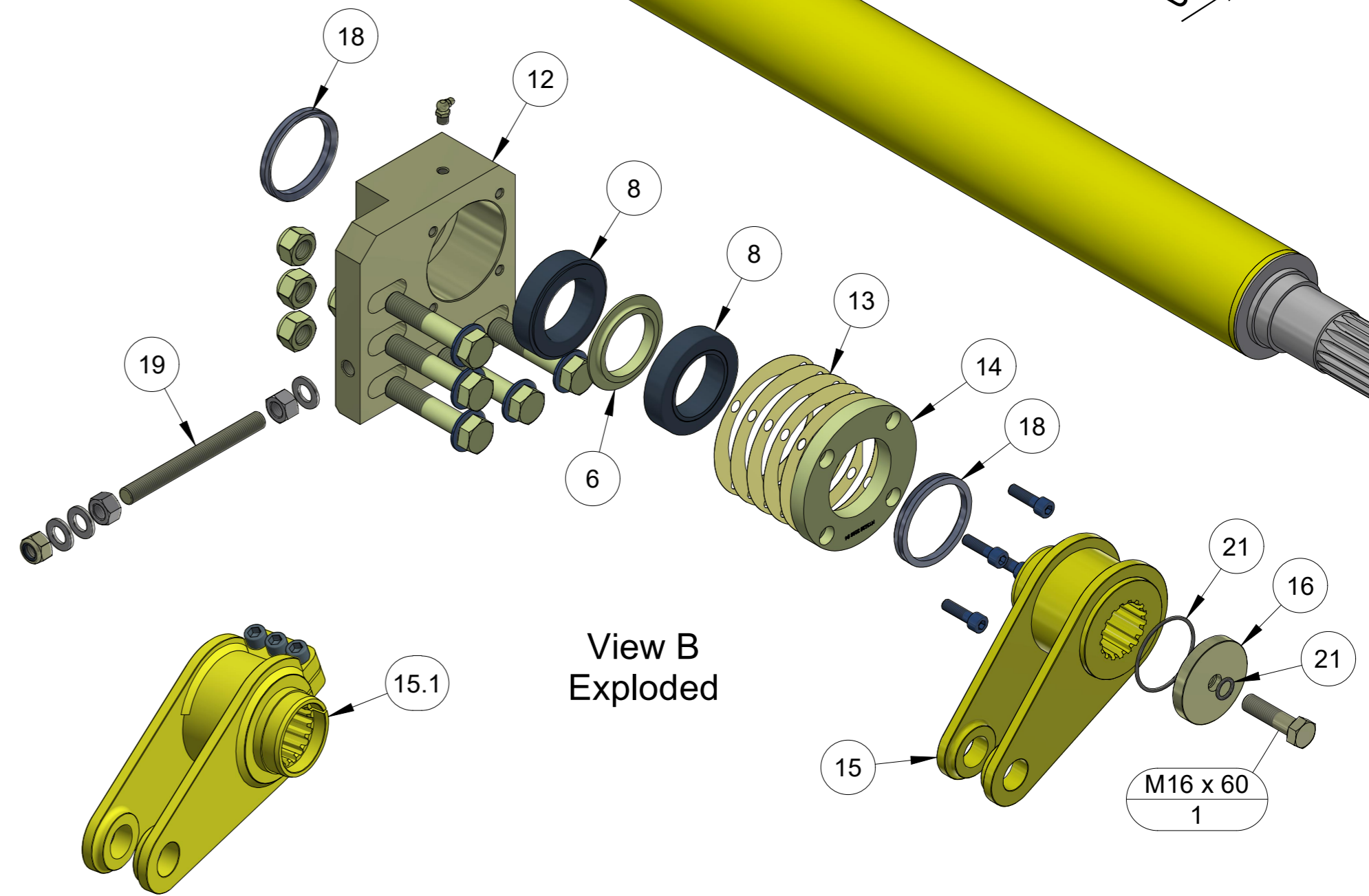
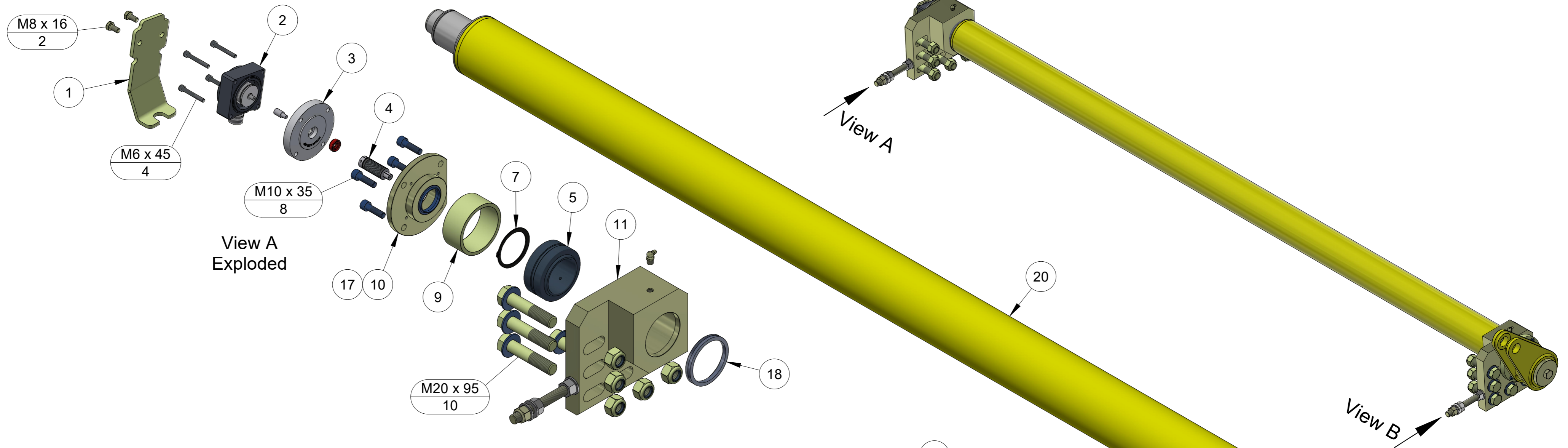




UNDERGROUND DRILL RELIABILITY


MT Parts: 0407 059 610
 1 Haesy Circuit, Roseworthy S.A. 5371
 171 Dugan Street, Kalgoorlie W.A. 6430
parts@mtunderground.com
www.mtunderground.com

PAGE 1.2



ITEM	PART NUMBER	DESCRIPTION	QTY	COMMENTS
1	MT3128 3065 45	PROTECTION PLATE	1	
2	MT9106 2192 03	ANGLE SENSOR	1	
3	MT9772 0115 16	RESOLVER SEAL KIT	1	Inc. 4 x M6x45 S/S SHCS
4	MT3128 3059 89	BELLOWS COUPLING	1	
5	MT0501 0019 01	BEARING	1	
6	MT3128 3102 13	SPACER	1	
7	MT0335 1151 00	CIRCLIP	1	
8	MT0501 0000 51	BEARING	2	
9	MT3128 3104 00	SPACER	1	
10	MT3128 3107 13	COVER	1	
11	MT3128 3103 93	BEARING HOUSING	1	
12	MT3128 3103 92	BEARING HOUSING	1	
13	MT3128 3115 78	SHIM	5	
14	MT3128 3103 94	COVER	1	
15	MT3128 3103 98	ARM	1	OEM
15.1	MT3128 3103 982	CLAMPING ARM	1	MT alternative
16	MT3128 2288 00	COVER	1	
17	MT0665 9170 01	WIPER SEAL	1	
18	MT0666 8000 24	V-RING SEAL	3	1 only MK7 on
19	MT0248 9979 54	THREADED ROD	2	
20	MT3128 3103 91	ROD HANDLING ARM	1	1.8m drill tubes
20.1	MT3128 3103 90	ROD HANDLING ARM	1	1.5m drill tubes
21	MT3128 2288 00SK	COVER SEAL KIT	1	
22	MT9111 3001 RK5	GRIPPER REBUILD KIT PRE MK7	0	Inc. items 5, 7, 8, 13, 18 & 21

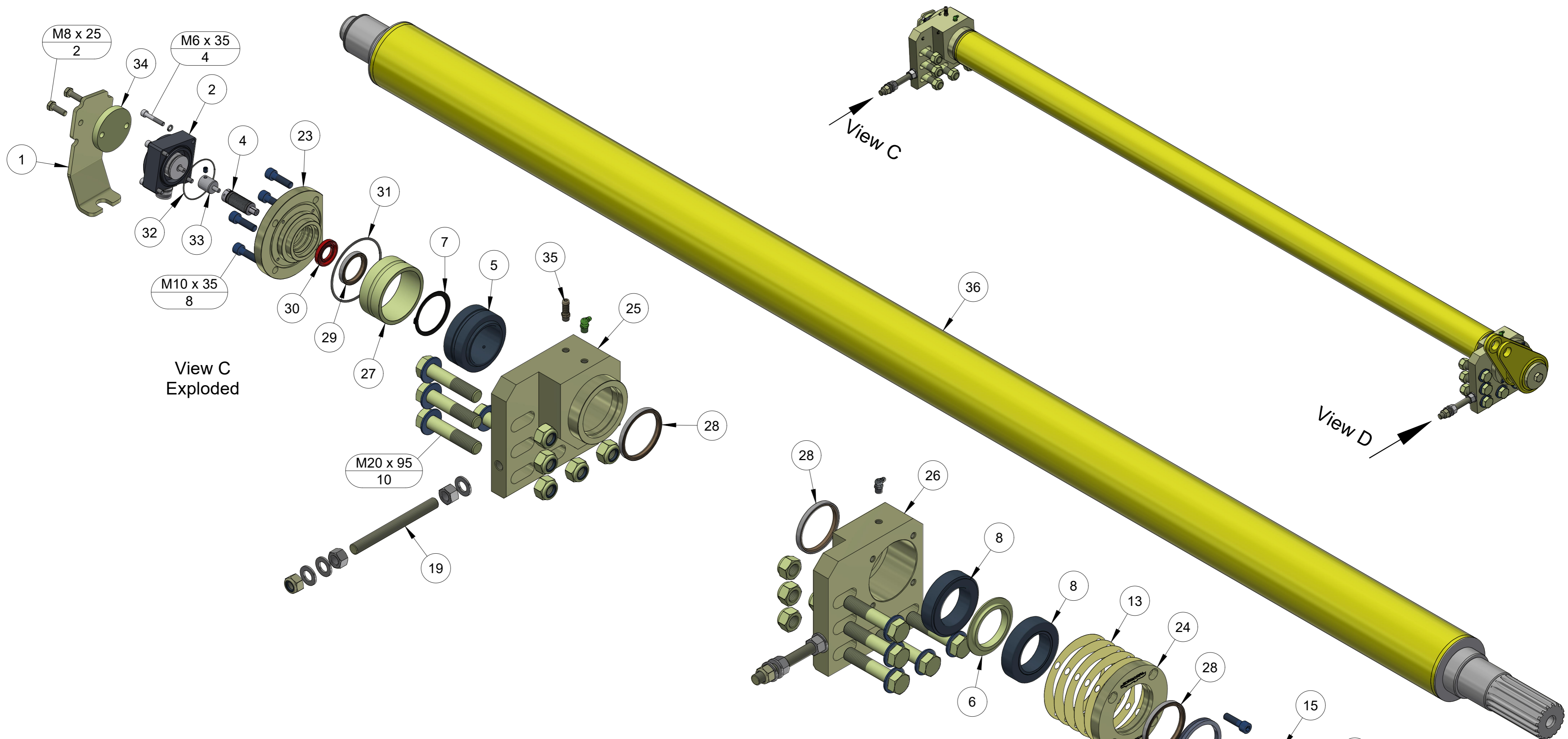
PART NUMBER MT9111 3001 60-5	DESCRIPTION GRIPPER SHAFT 1.5m (pre MK7)
PART NUMBER MT9111 3001 61-5	DESCRIPTION GRIPPER SHAFT 1.8m (pre MK7)



**MAINTENANCE
TECHNIQUE**
UNDERGROUND DRILL RELIABILITY

MT Parts: 0407 059 610
1 Haesy Circuit, Roseworthy S.A. 5371
171 Dugan Street, Kalgoorlie W.A. 6430
parts@mtunderground.com
www.mtunderground.com

PAGE
1.4



View C Exploded

View D Exploded

REFER PAGE 1.4 FOR ITEMS 1 - 22

ITEM	PART NUMBER	DESCRIPTION	QTY	COMMENTS
23	MT3128 0031 18	COVER	1	
24	MT3128 0031 19	COVER	1	
25	MT3128 0031 15	BEARING HOUSING	1	
26	MT3128 0031 14	BEARING HOUSING	1	
27	MT3128 0031 16	SPACER RING	1	
28	MT0665 9100 86	WIPER	3	
29	MT0665 9100 88	WIPER	1	
30	MT0666 6000 56	LIP SEAL	1	
31	MT0663 6143 00	O-Ring	1	
32	MT0663 9045 00	O-Ring	1	
33	MT3128 0031 17	SHAFT	1	
34	MT3128 3065 451	SPACER	1	
35	MT5112 3061 39	HOSE NIPPLE	1	
36	MT3128 0031 13	ROD HANDLING SHAFT	1	1.8m drill tubes
36.1	MT3128 3102 135	ROD HANDLING SHAFT	1	1.5m drill tubes
37	MT9111 3001 RK6	GRIPPER REBUILD KIT MK7 ON	0	Inc. items 5, 7, 8, 13, 18, 21, & 28 to 31

PART NUMBER MT9111 3001 60-6	DESCRIPTION GRIPPER SHAFT 1.5m (MK7 on)
PART NUMBER MT9111 3001 61-6	DESCRIPTION GRIPPER SHAFT 1.8m (MK7 on)



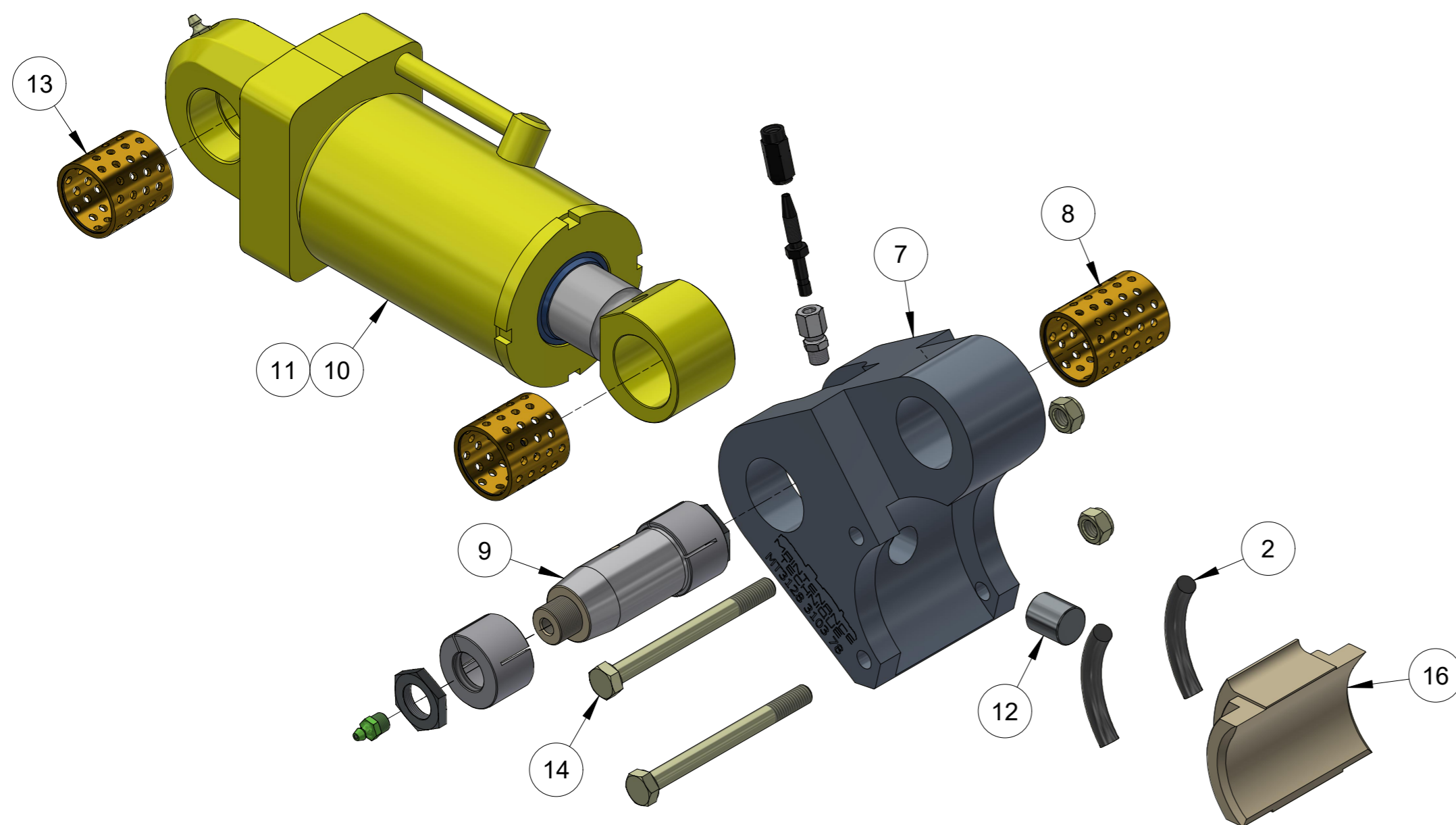
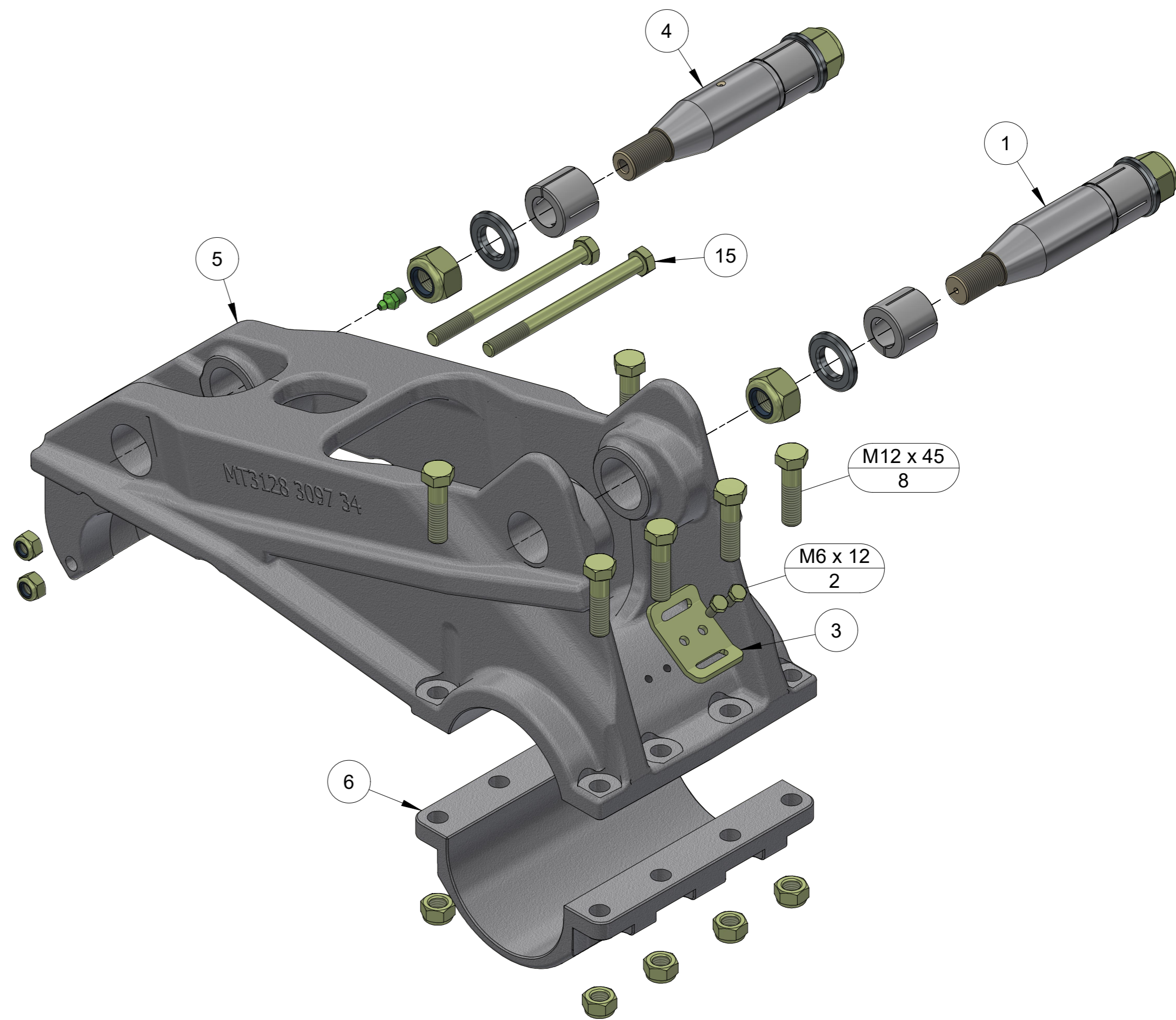
MT Parts: 0407 059 610
1 Haesy Circuit, Roseworthy S.A. 5371
171 Dugan Street, Kalgoorlie W.A. 6430



parts@mtunderground.com
www.mtunderground.com

ITEM	PART NUMBER	DESCRIPTION	QTY	COMMENTS
1	MT3128 0031 55	EXPANDING SHAFT	1	No grease point
2	MT3128 2353 00	DAMPING ELEMENT	4	
3	MT3128 2597 50	ATTACHMENT	1	
4	MT3128 3063 83	EXPANDING SHAFT	1	
5	MT3128 3097 34	ARM	1	
6	MT3128 3097 36	CLAMP	1	
7	MT3128 3103 78	JAW	1	
8	MT3128 3104 53	BUSHING	1	
9	MT3128 3105 98	EXPANDING SHAFT	1	
10	MT3128 3106 12	HYDRAULIC CYLINDER	1	
11	MT9120 0993 09	ARM CYLINDER SEAL KIT	1	
12	MT3128 3107 02	PIN GRIPPER DOWEL	2	
13	MT3128 3106 13	BUSHING	2	
14	MT0147 1380 03	SCREW	2	M10 x 110
15	MT0147 1382 03	SCREW	2	M10 x 130

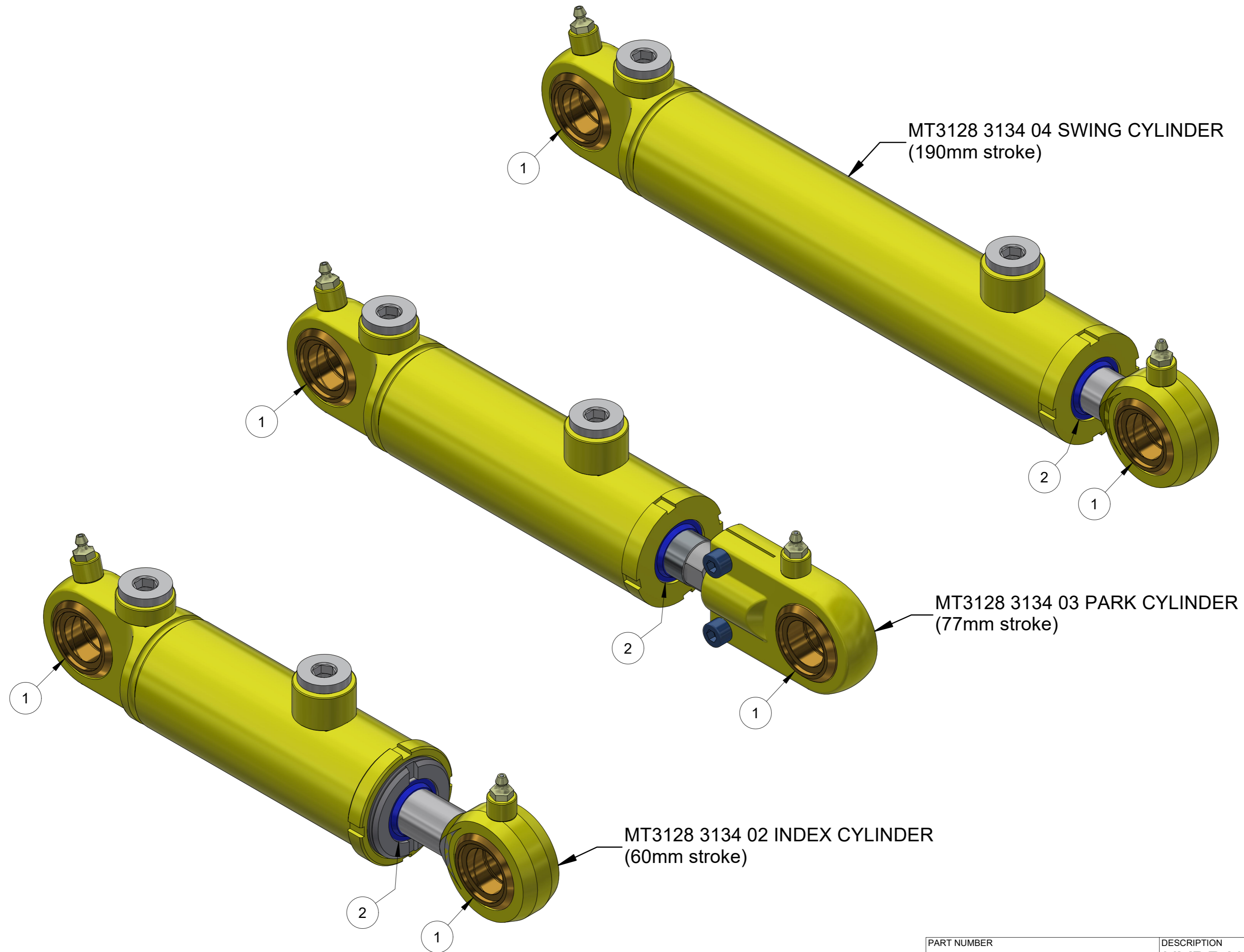
GRIPPER JAWS (sold separate)

ITEM	PART NUMBER	DESCRIPTION	QTY	COMMENTS
16	MT3128 3104 20	JAW 32	2	RHS17
16.1	MT3128 3104 21	JAW 38	2	RHS17
16.2	MT3128 3104 22	JAW 45	2	RHS17
16.3	MT3128 3104 25	JAW 64	2	RHS17
16.4	MT3128 3104 51	JAW 51	2	RHS27
16.5	MT3128 3104 26	JAW 76	2	RHS27
16.6	MT3128 3104 27	JAW 87	2	RHS27



PART NUMBER MT3128 3097 33	DESCRIPTION ARM - RHS17 / RHS27
	<p>MT Parts: 0407 059 610 1 Haehy Circuit, Roseworthy S.A. 5371 171 Dugan Street, Kalgoorlie W.A. 6430 parts@mtunderground.com www.mtunderground.com</p>
 <p>MAINTENANCE TECHNIQUE UNDERGROUND DRILL RELIABILITY</p>	
PAGE 1.6	

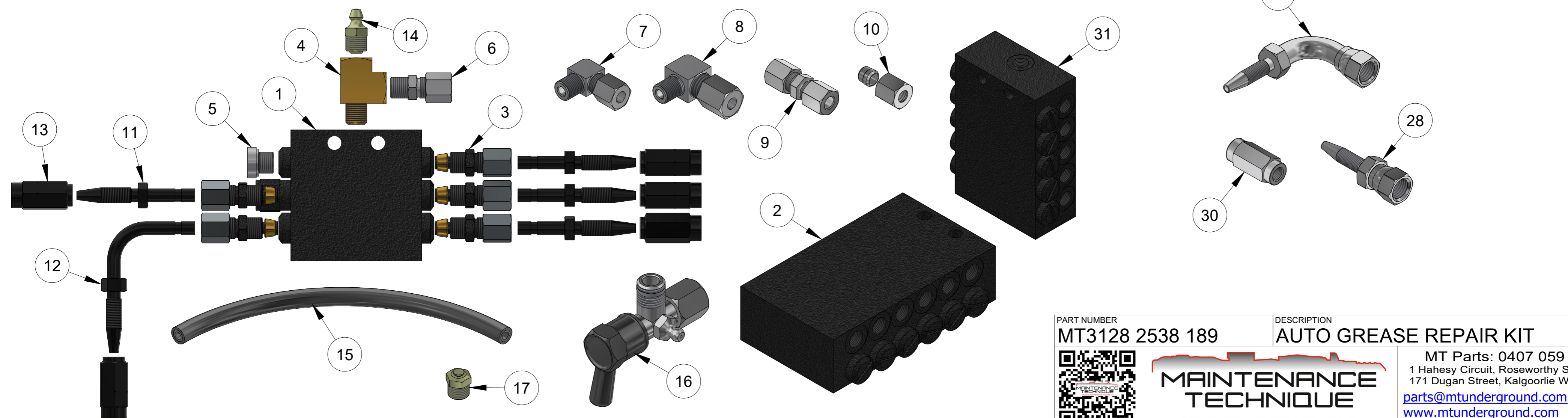
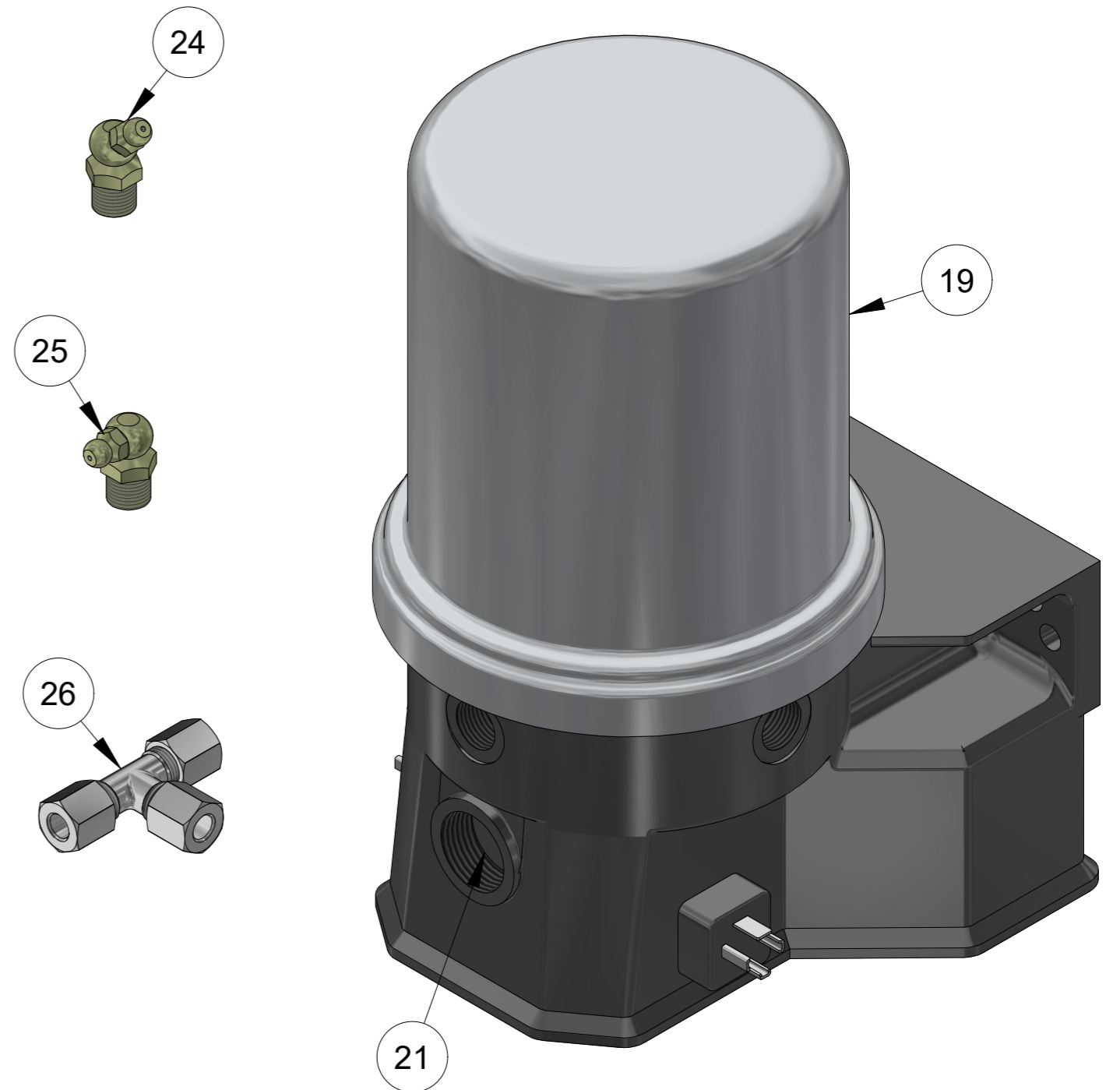
ITEM	PART NUMBER	DESCRIPTION	QTY	COMMENTS
1	MT3128 3134 05	BRONZE CYLINDER BUSH		
2	MT9120 0993 05	SMALL CYLINDER SEAL KIT		



PART NUMBER	DESCRIPTION
	HYDRAULIC CYLINDERS - RHS27
	
	
MT Parts: 0407 059 610 1 Hahey Circuit, Roseworthy S.A. 5371 171 Dugan Street, Kalgoorlie W.A. 6430 parts@mtunderground.com www.mtunderground.com	
PAGE	1.7

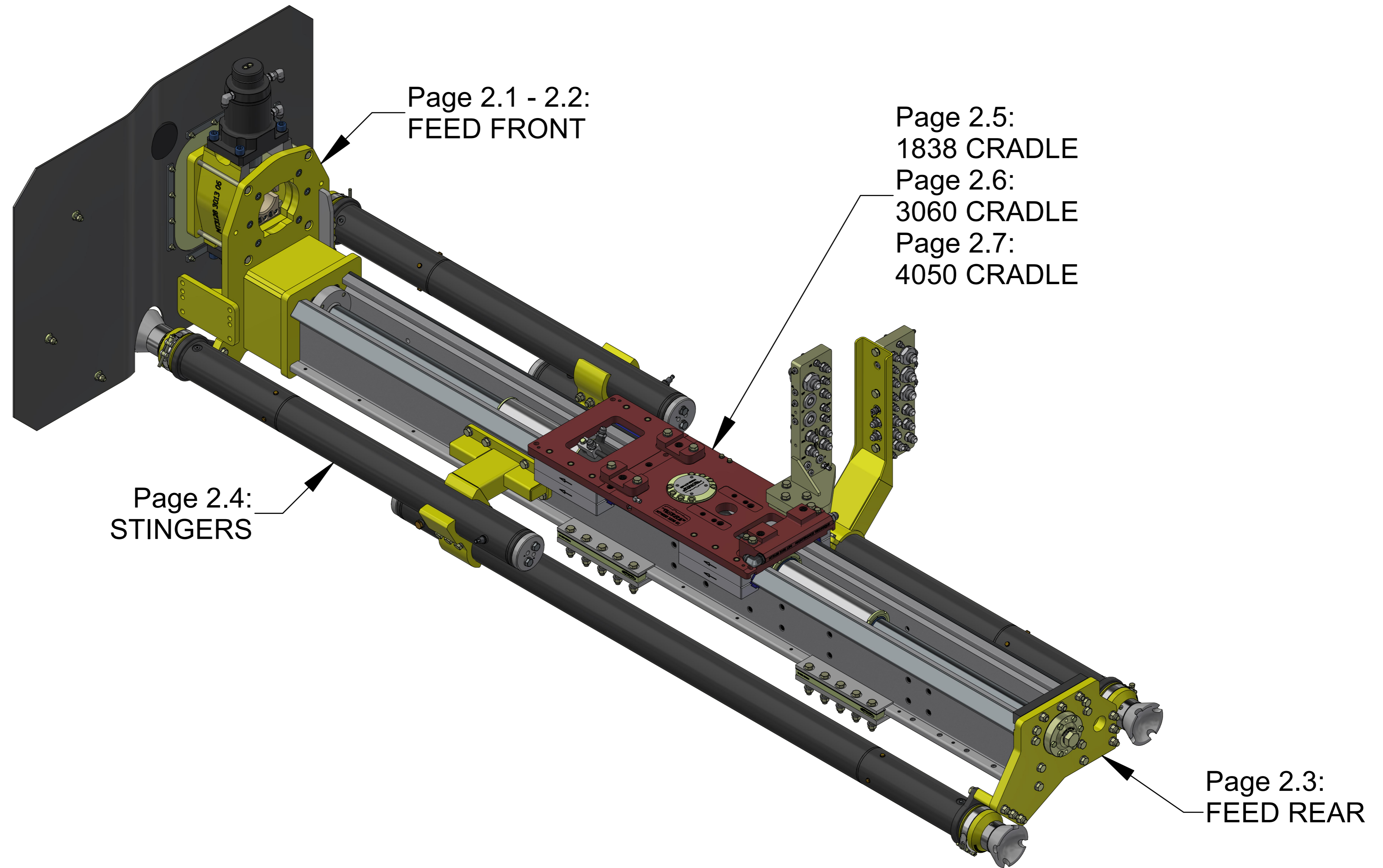
ITEM	PART NUMBER	DESCRIPTION	QTY	COMMENTS
1	MT3128 2538 17	GREASE DISTRIBUTOR BLOCK 6 PORT	1	With indicator
2	MT3128 2538 18	GREASE DISTRIBUTOR BLOCK 12 PORT	1	
3	MT3128 2539 95	CHECK VALVE	6	
4	MT3128 2538 12	ADAPTOR T	2	Grease block
5	MT3128 3005 37	PLUG	6	Grease block
6	MT0580 0002 00	COUPLING STRAIGHT	10	
7	MT0580 2202 00	COUPLING 90°	10	1/8" BSP (12mm hex nut)
8	MT0580 2014 07	COUPLING 90°	6	1/8" BSP (14mm hex nut)
9	MT3128 2538 08J	HOSE JOINER	10	
10	MT3128 2539 9A	NUT & OLIVE	6	
11	MT3128 2538 09	HOSE ADAPTOR STRAIGHT	10	
12	MT3128 2538 90	HOSE ADAPTER 90°	10	
13	MT3128 2538 08	THREADED SLEEVE	20	
14	MT0544 2162 00	GREASE NIPPLE	10	1/8" BSP
15	MT3128 2538 10	HIGH POWER PIPE	10	Order by metre
16	MT3128 2538 02	SAFETY VALVE	1	Pump outlet
17	MT3128 3151 485	RELIEF VALVE	2	Grease, 5 Bar
18	MT9106 1900 012	STORAGE BOX	1	Not shown
19	MT3128 2538 36	GREASE PUMP		Not in repair kit, supplied with 1 pump element
20	MT3128 2538 01	PUMP ELEMENT		Not in repair kit
21	MT3128 3049 45	CIRCUIT BOARD		Not in repair kit
22	MT3128 2538 03	GREASE DISTRIBUTOR BLOCK 8 PORT		Not in repair kit, not shown
23	MT3128 2538 19	GREASE DISTRIBUTOR BLOCK 12 PORT		Not in repair kit, with indicator, not shown
24	MT0544 2362 00	GREASE NIPPLE 45°		Not in repair kit, 1/8" BSP
25	MT0544 2562 00	GREASE NIPPLE 90°		Not in repair kit, 1/8" BSP
26	MT0580 4602 00	TEE JOINER		Not in repair kit
27	MT5112 2164 00	PVC HIGH POWER PIPE		Not in repair kit, order by metre
28	MT3128 2538 73	HOSE STUD - 7/16"		Not in repair kit
29	MT3128 2538 77	HOSE STUD 90° SHORT - 7/16"		Not in repair kit
30	MT3128 2538 79	THREADED SLEEVE - 7/16"		Not in repair kit
31	MT3128 2538 87	GREASE DISTRIBUTOR BLOCK 10 PORT		Not in repair kit

Auto Grease Repair Kit



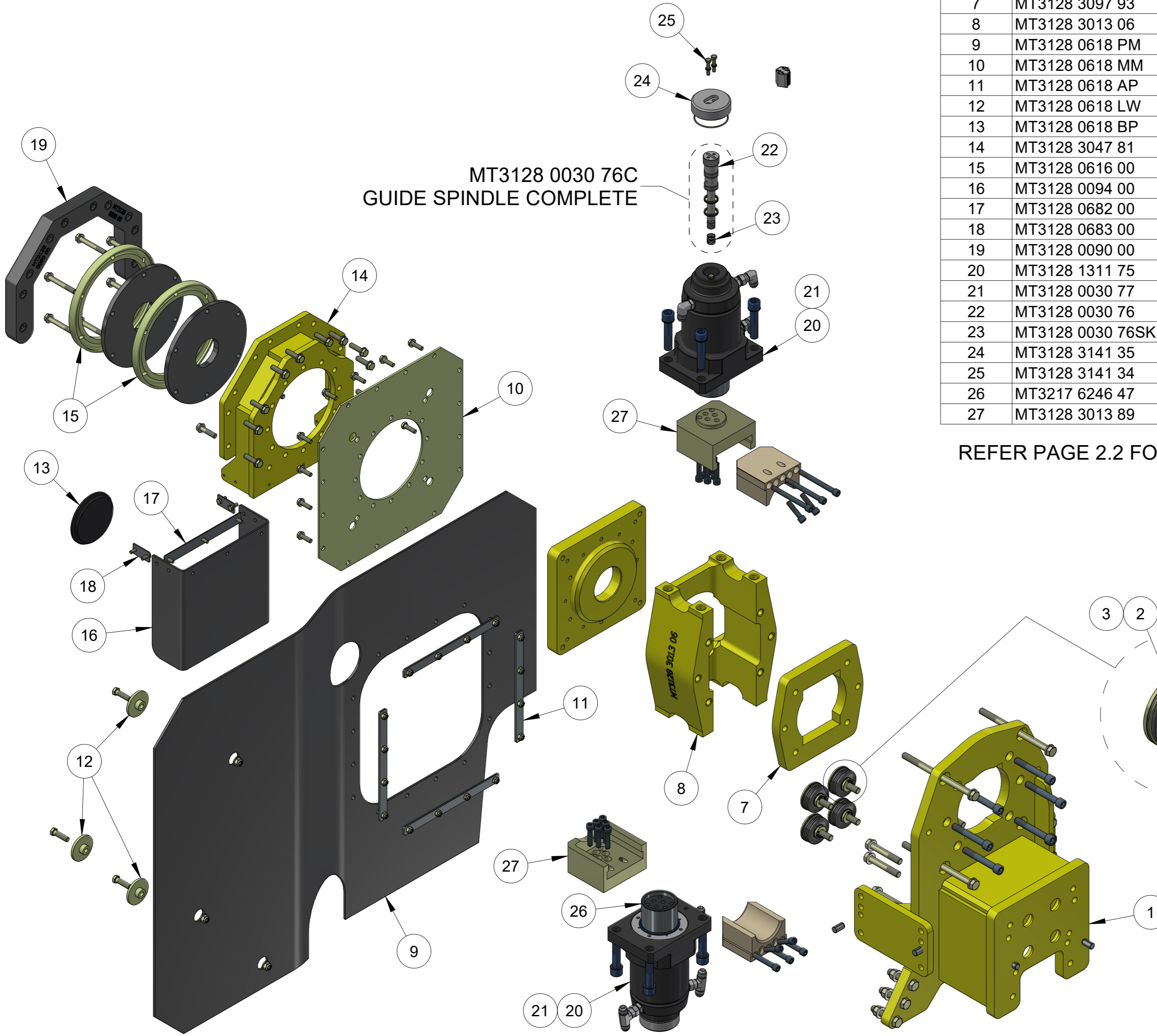
PART NUMBER MT3128 2538 189	DESCRIPTION AUTO GREASE REPAIR KIT
	MAINTENANCE TECHNIQUE UNDERGROUND DRILL RELIABILITY
MT Parts: 0407 059 610 1 Hahey Circuit, Roseworthy S.A. 5371 171 Dugan Street, Kalgoorlie W.A. 6430 parts@mtunderground.com www.mtunderground.com	
PAGE	1.8

SECTION 2: FEED



PART NUMBER MT3128 4050 18	DESCRIPTION FEED ASSEMBLY
	 MAINTENANCE TECHNIQUE UNDERGROUND DRILL RELIABILITY
MT Parts: 0407 059 610 1 Hahey Circuit, Roseworthy S.A. 5371 171 Dugan Street, Kalgoorlie W.A. 6430 parts@mtunderground.com www.mtunderground.com	

MT3128 0030 76C
GUIDE SPINDLE COMPLETE

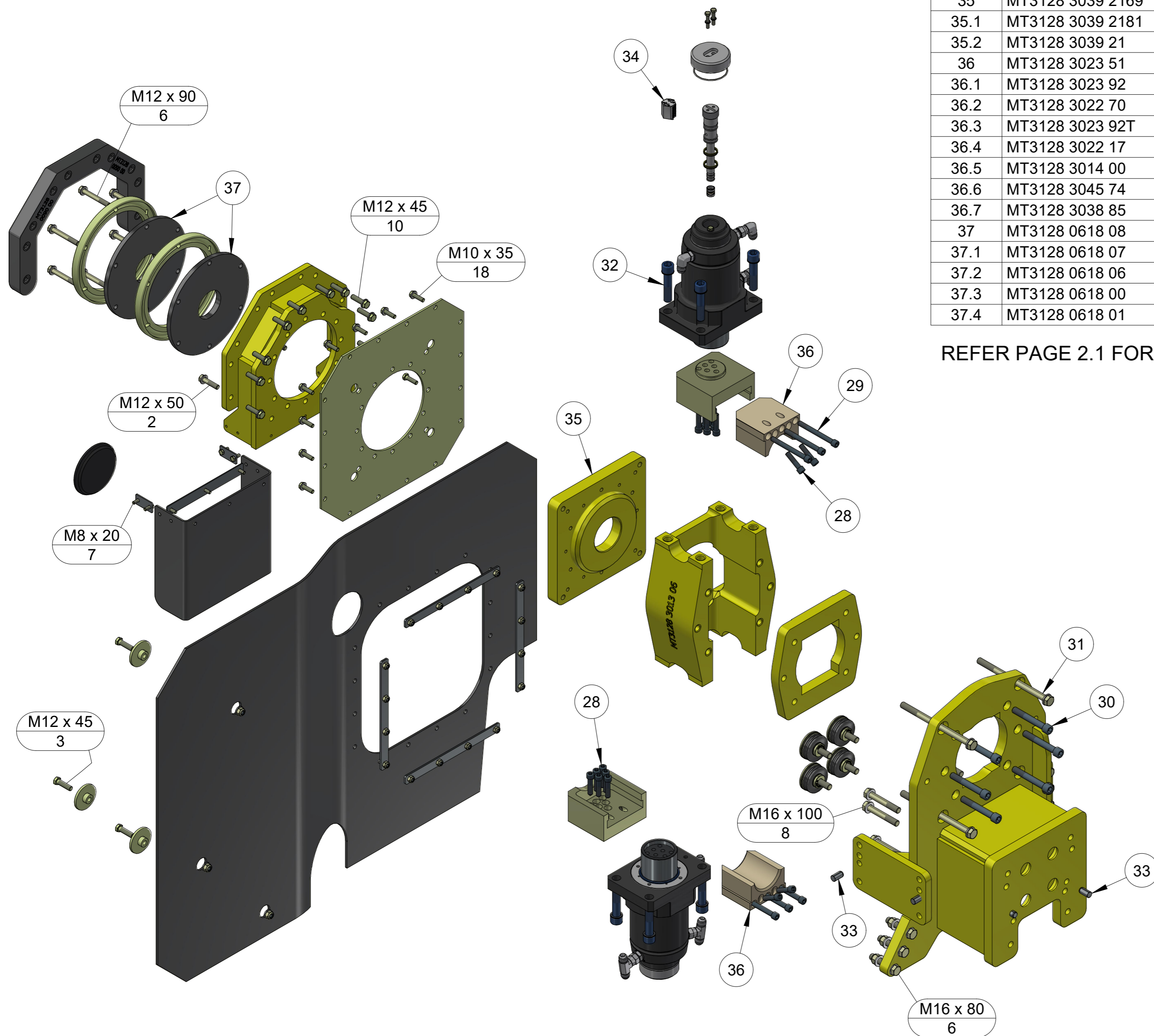


ITEM	PART NUMBER	DESCRIPTION	QTY	COMMENTS
1	MT3128 3105 16	FRONT PLATE	1	
2	MT3128 3097 90	WASHER	4	
3	MT0663 2102 09	O-RING	4	
4	MT3128 3097 91	SLEEVE	4	
5	MT0663 6131 00	O-RING	4	
6	MT0384 3546 00	DISC SPRING	16	
7	MT3128 3097 93	INTERM PLATE	1	
8	MT3128 3013 06	DRILL STEEL SUPPORT	1	
9	MT3128 0618 PM	PROTECTION MAT	1	
10	MT3128 0618 MM	MAT MOUNT	1	
11	MT3128 0618 AP	ATTACHMENT PLATE	4	
12	MT3128 0618 LW	MAT WASHER	3	
13	MT3128 0618 BP	PLUG	1	
14	MT3128 3047 81	CUTTING GUIDE	1	
15	MT3128 0616 00	CUTTING RING	2	
16	MT3128 0094 00	RUBBER CLOTH	1	
17	MT3128 0682 00	SHIM	1	
18	MT3128 0683 00	SHIM	2	
19	MT3128 0090 00	COLLARING PART	1	
20	MT3128 1311 75	HYDRAULIC CYLINDER	2	
21	MT3128 0030 77	CYLINDER SEAL KIT	1	Includes spindle seals
22	MT3128 0030 76	GUIDE SPINDLE	2	
23	MT3128 0030 76SK	GUIDE SPINDLE SEAL KIT	1	
24	MT3128 3141 35	COVER	2	
25	MT3128 3141 34	SCREW	4	M8x40
26	MT3217 6246 47	PISTON ROD	2	
27	MT3128 3013 89	SIMBA JAW HOLDER	2	

REFER PAGE 2.2 FOR ITEMS NOT LISTED ABOVE

MT0384 3546 00C
FEED CYLINDER RETAINER KIT

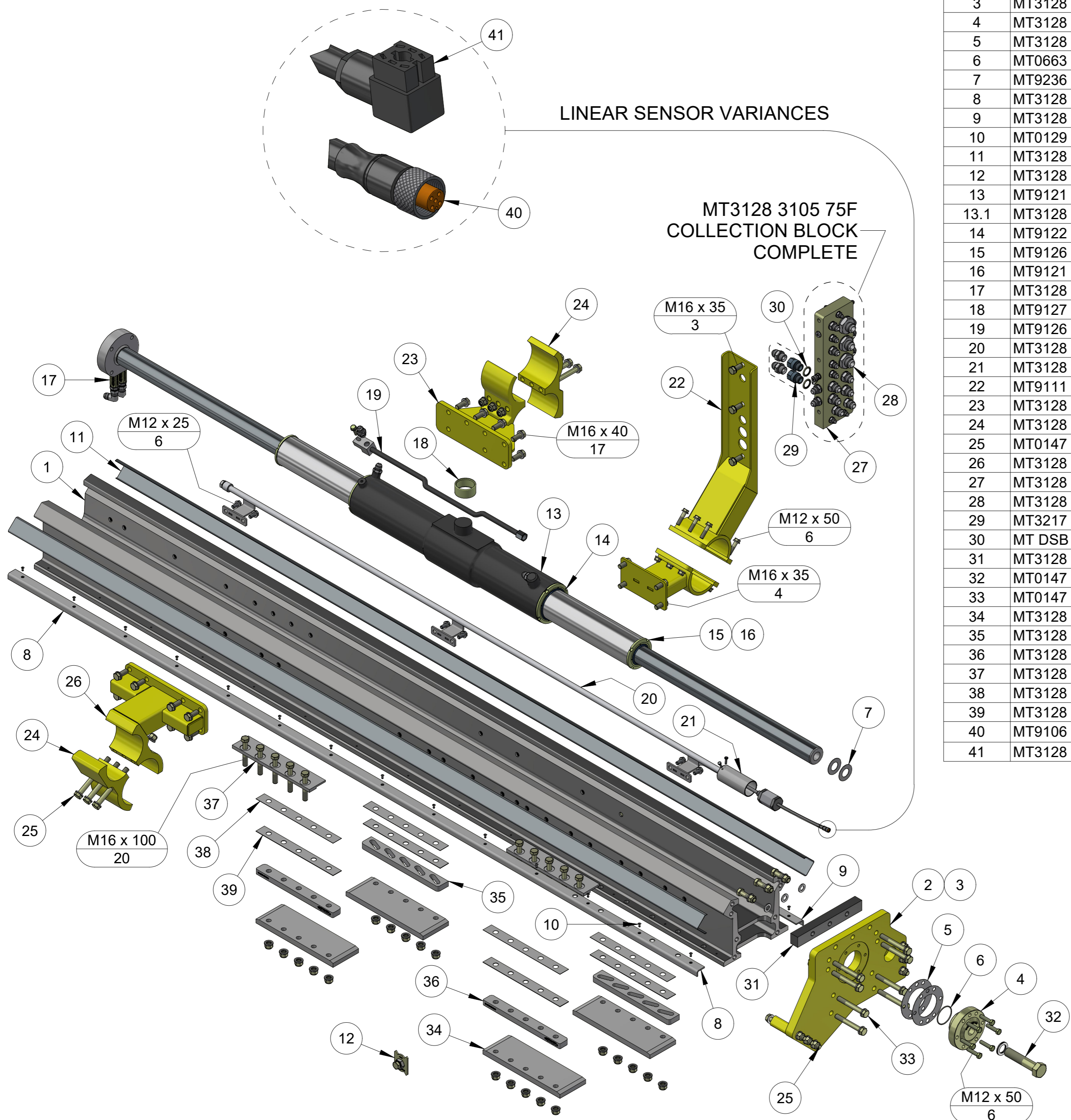
PART NUMBER	DESCRIPTION	
MT3128 0020 26-2	FEED FRONT	
		MT Parts: 0407 059 610 1 Haehy Circuit, Roseworthy S.A. 5371 171 Dugan Street, Kalgoorlie W.A. 6430 parts@mtunderground.com www.mtunderground.com
	UNDERGROUND DRILL RELIABILITY	PAGE 2.1



ITEM	PART NUMBER	DESCRIPTION	QTY	COMMENTS
28	MT0211 1963 02	SCREW M12x50 SHCS	16	
29	MT0211 1963 44	SCREW M12x120 SHCS	6	
30	MT0211 1963 42	SCREW M16x110 SHCS	6	
31	MT0147 1501 03	SCREW M16x240 HexHd	4	
32	MT0211 1963 35	SCREW M20x90 SHCS	8	
33	MT3128 3022 32	PIN	4	
34	MT3128 0672 02	BSH ADJUSTING TOOL	1	
35	MT3128 3039 2169	INTERM. PLATE - GUIDE 64mm	1	T45
35.1	MT3128 3039 2181	INTERM. PLATE - GUIDE 76mm	1	T58
35.2	MT3128 3039 21	INTERM. PLATE - GUIDE 87mm	1	T68
36	MT3128 3023 51	CHECK 32mm SPEED ROD	2	R32
36.1	MT3128 3023 92	CHECK 38mm SPEED ROD	2	T38
36.2	MT3128 3022 70	CHECK 45mm SPEED ROD	2	T45
36.3	MT3128 3023 92T	CHECK T38 TUBE JAW	2	T38
36.4	MT3128 3022 17	CHECK 64mm TUBE JAW	2	ST45
36.5	MT3128 3014 00	CHECK T51 TUBE JAW	2	T51
36.6	MT3128 3045 74	CHECK 76mm TUBE JAW	2	T58
36.7	MT3128 3038 85	CHECK 87mm TUBE JAW	2	T68
37	MT3128 0618 08	TUBE CUTTING GASKET 32-36mm	2	T32
37.1	MT3128 0618 07	TUBE CUTTING GASKET 38mm	2	T38
37.2	MT3128 0618 06	TUBE CUTTING GASKET 45mm	2	T45
37.3	MT3128 0618 00	TUBE CUTTING GASKET 64-76mm	2	ST58
37.4	MT3128 0618 01	TUBE CUTTING GASKET 87mm	2	ST68

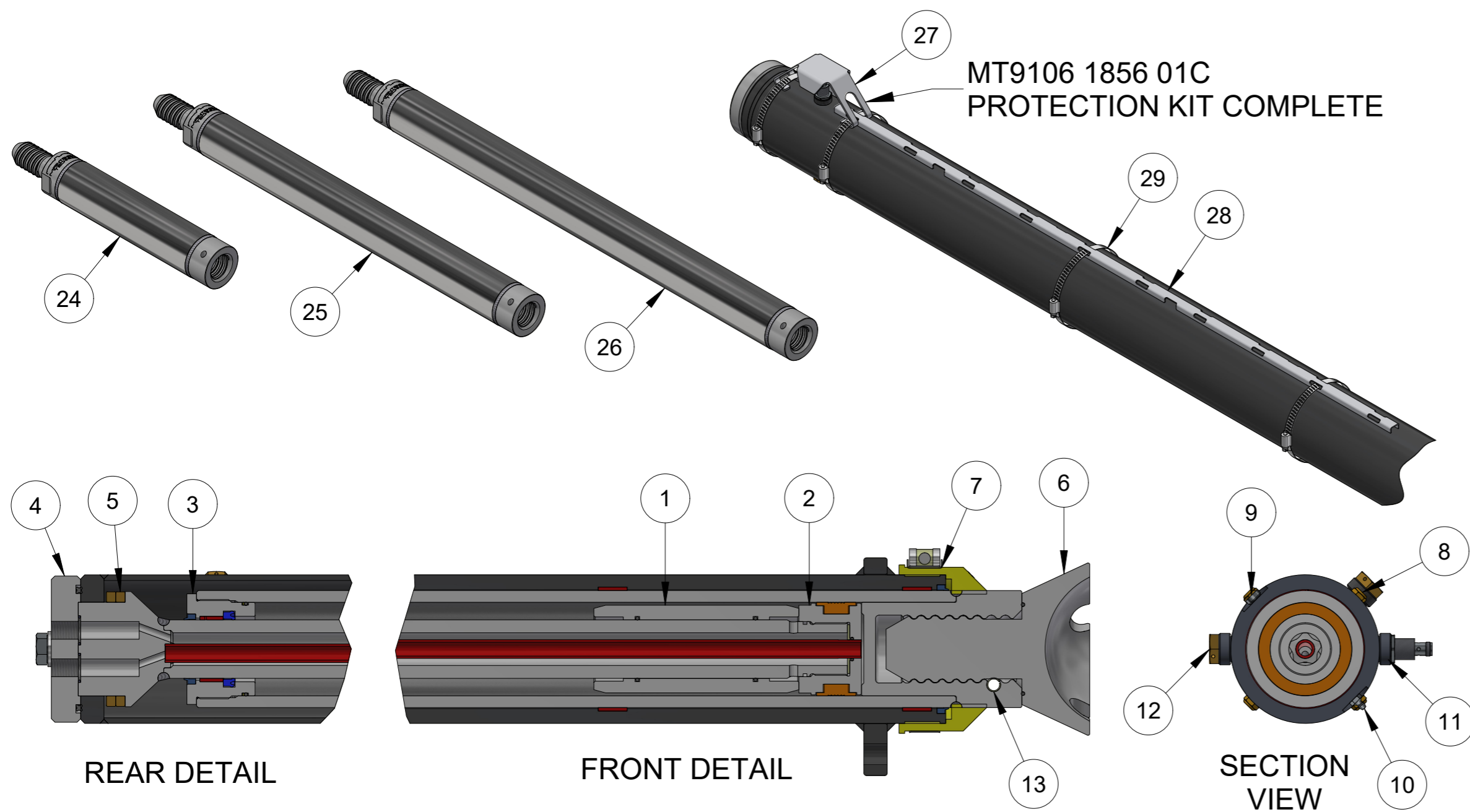
REFER PAGE 2.1 FOR ITEMS NOT LISTED ABOVE

PART NUMBER	DESCRIPTION
MT3128 0020 26-3	FEED FRONT
	
MT Parts: 0407 059 610 1 Haehy Circuit, Roseworthy S.A. 5371 171 Dugan Street, Kalgoorlie W.A. 6430 parts@mtunderground.com <small>PAGE</small> www.mtunderground.com 2.2	

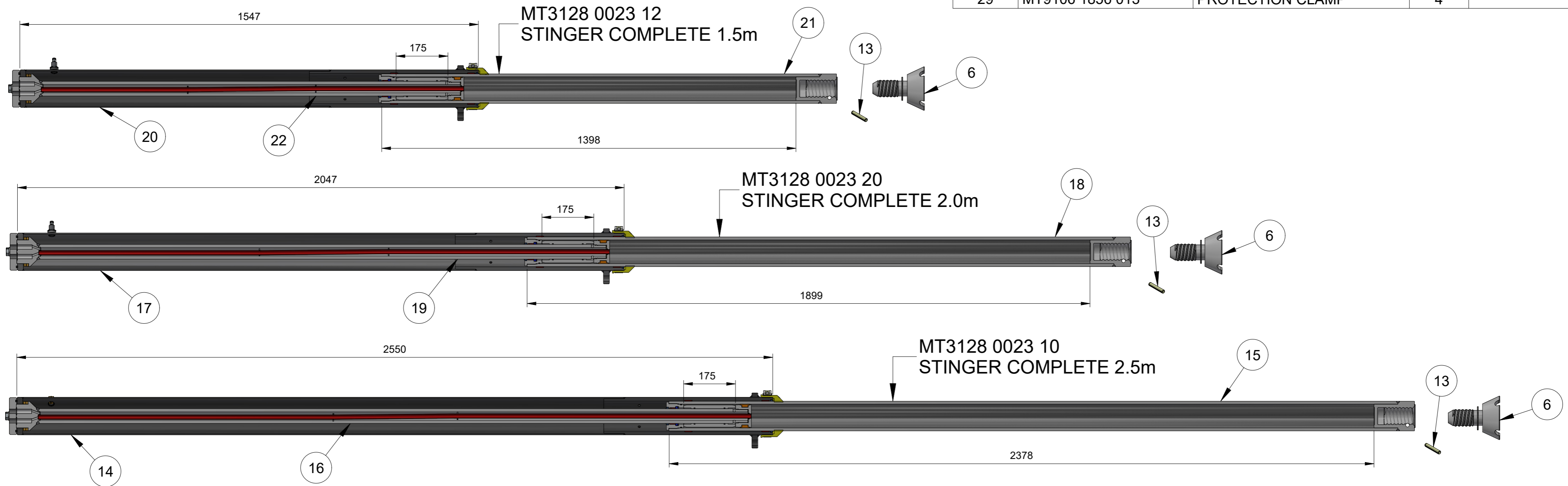


ITEM	PART NUMBER	DESCRIPTION	QTY	COMMENTS
1	MT3128 0030 62	FEED BEAM	1	Includes items 8 - 12
2	MT3128 3097 88	END PLATE COMPLETE	1	Includes items 3 - 7
3	MT3128 3097 88P	END PLATE	1	
4	MT3128 3097 88B	END PLATE ATTACHMENT	1	
5	MT3128 3097 88BS	END PLATE ATTACHMENT SHIM	2	
6	MT0663 2103 67	O-RING	1	
7	MT9236 2002 69	SHIM	2	
8	MT3128 0034 05	SLIDE BAR LEFT	1	
9	MT3128 0034 06	SLIDE BAR RIGHT	1	
10	MT0129 3270 44	BLIND RIVET S/S	28	
11	MT3128 0034 01	CLIP-ON 200 SERIES	2	
12	MT3128 0034 013	CLIP-ON LOCKING ASSEMBLY	2	
13	MT9121 7221 01SX	FEED CYLINDER 1.8m	1	Service ex.
13.1	MT3128 3019 97SX	FEED CYLINDER 1.5m	0	Service ex.
14	MT9122 4332 50	COVER	2	
15	MT9126 2770 50	COVER	2	
16	MT9121 6526 50	FEED CYLINDER SEAL KIT	1	Complete
17	MT3128 0785 74	EXTENSION	2	
18	MT9127 2523 00	PLAIN BEARING	1	
19	MT9126 2714 00	PIPE	1	
20	MT3128 3097 99	SENSOR BRACKET	1	
21	MT3128 0030 19	PROTECT COVER	1	
22	MT9111 4017 93C	ATTACHMENT COMPLETE	1	
23	MT3128 3161 62	ATTACHMENT	1	
24	MT3128 3098 12	CLAMP	2	
25	MT0147 1496 03	SCREW M16 x 160	12	
26	MT3128 3098 13	ATTACHMENT	1	
27	MT3128 3105 75	COLLECT BLOCK	1	
28	MT3128 3105 75FK	FITTINGS KIT	1	29 & 30 not included
29	MT3217 6512 03	RESTRICTION	2	Sold separate
30	MT DSB 12	SEAL WASHER	2	Sold separate
31	MT3128 0037 00	DAMPING	1	
32	MT0147 1959 28	SCREW M30x150 HexHd	1	
33	MT0147 1492 03	SCREW M16x120 HexHd	8	
34	MT3128 0554 02	WEAR PLATE	4	
35	MT3128 0553 01	GUIDE STRIP	2	
36	MT3128 0556 01	GUIDE STRIP	2	
37	MT3128 0031 36	CLAMP	4	
38	MT3128 0558 00	SHIM	4	
39	MT3128 0557 00	SHIM 1.5mm	4	
40	MT9106 2192 17	LINEAR SENSOR RCS4	1	
41	MT3128 3097 27	LINEAR SENSOR RCS3	1	2.4m cable

PART NUMBER MT3128 0020 26-4	DESCRIPTION FEED REAR
	
MT Parts: 0407 059 610 1 Haesy Circuit, Roseworthy S.A. 5371 171 Dugan Street, Kalgoorlie W.A. 6430 parts@mtunderground.com www.mtunderground.com	
PAGE	2.3

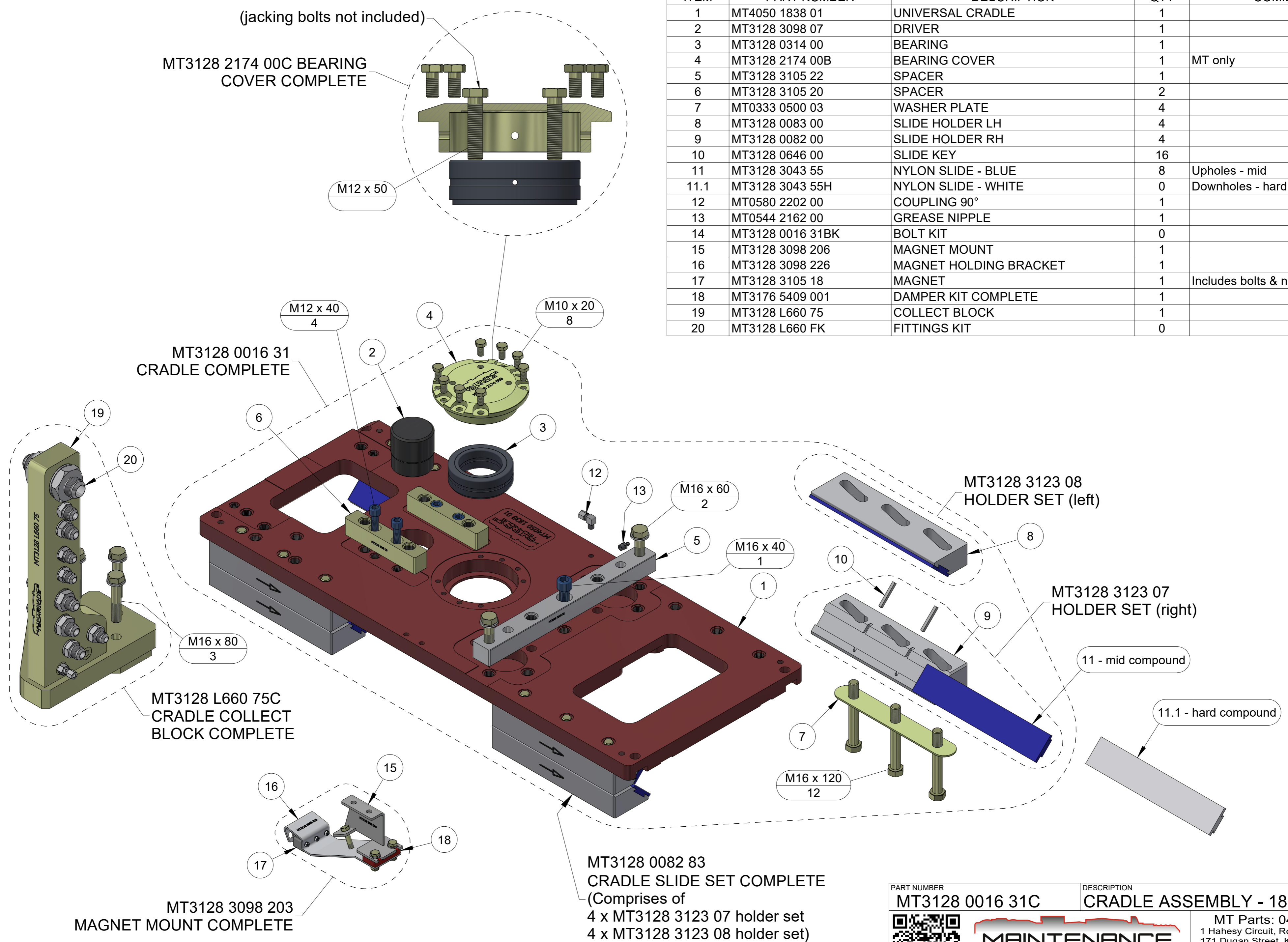


ITEM	PART NUMBER	DESCRIPTION	QTY	COMMENTS
1	MT9128 4285 175	SPACER	1	
2	MT3128 2592 16	PISTON	1	
3	MT9126 3960 00	COVER	1	
4	MT9236 2017 61	BLOCK	1	
5	MT9236 2017 62	WASHER	2	
6	MT9236 2027 42	STINGER FOOT	1	MT only, incl. O-Ring
7	MT3128 2191 72S	SEAL + CLAMP	1	
8	MT9236 2017 63	FILTER PLUG	4	
9	MT3128 3005 37	PLUG	1	
10	MT0544 2162 00	GREASE NIPPLE	1	
11	MT9106 1856 01	INDUCTIVE SENSOR	1	
12	MT9106 1856 01P	BREATHER PLUG	2	MT only
13	MT9236 2027 421	PIN	1	
14	MT3128 2191 703	OUTER TUBE 2500	1	
15	MT3128 2191 743	MANTLE 2500	1	
16	MT3128 2191 723	PISTON ROD 2500	1	MT only
17	MT3128 0023 200	OUTER TUBE 2000	1	
18	MT3128 2191 742	MANTLE 2000	1	
19	MT3128 2191 722	PISTON ROD 2000	1	
20	MT3128 0023 125	OUTER TUBE 1500	1	
21	MT3128 2191 741	MANTLE 1500	1	MT only
22	MT3128 2191 72	PISTON ROD 1500	1	Includes item 1
23	MT3128 2191 71	STINGER SEAL KIT	1	Item 7 not included
24	MT9111 2826 101	STINGER EXT.	1	ST58 - 500mm
25	MT9111 2826 121	STINGER EXT.	1	ST58 - 1000mm
26	MT9111 2826 131	STINGER EXT.	1	ST58 - 1250mm
27	MT9106 1856 011	SENSOR PROTECTION	1	
28	MT9106 1856 012	CABLE PROTECTION	1	
29	MT9106 1856 013	PROTECTION CLAMP	4	

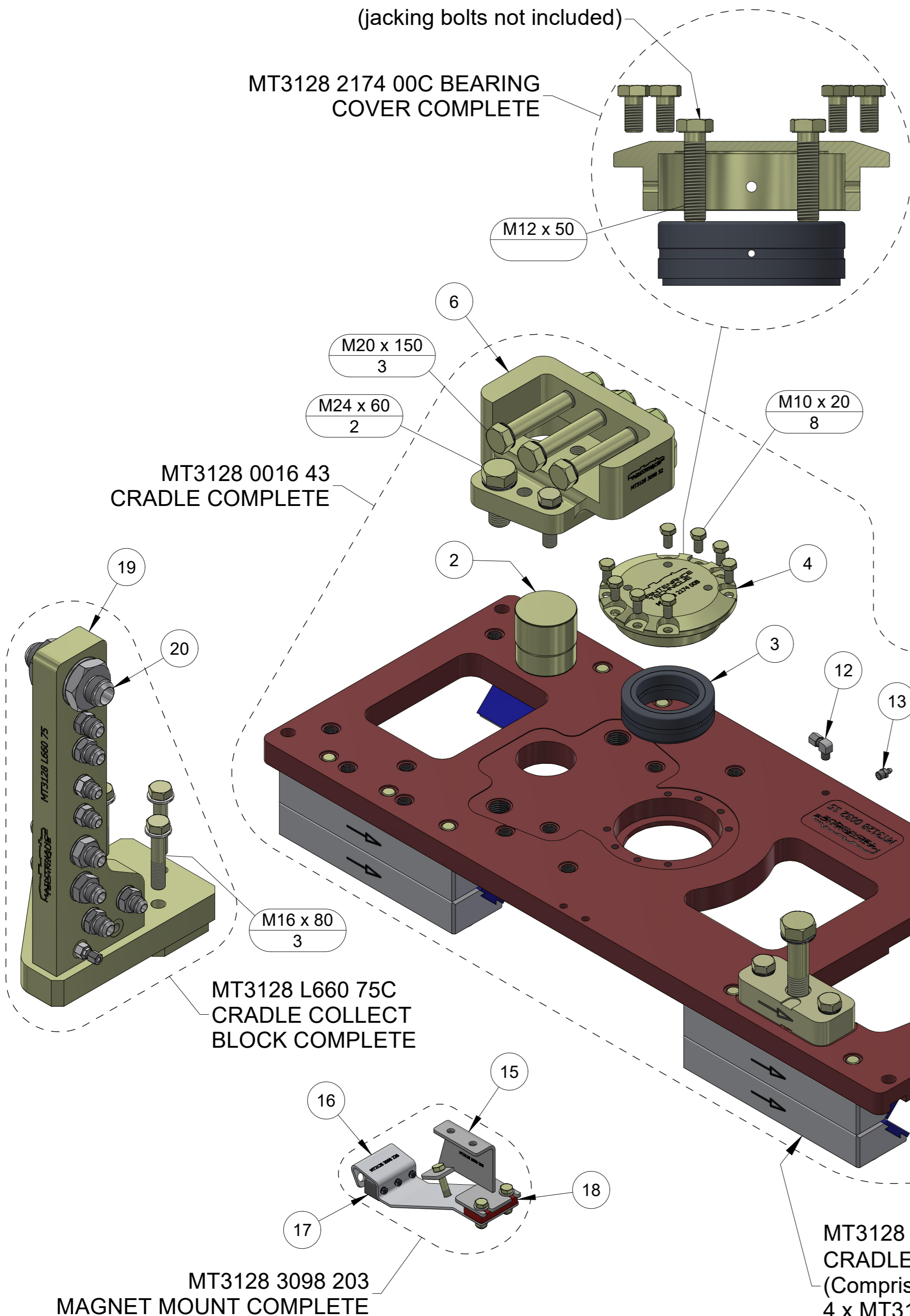


PART NUMBER MT3128 0023 109	DESCRIPTION STINGERS - RHS27
	
MT Parts: 0407 059 610 1 Haehy Circuit, Roseworthy S.A. 5371 171 Dugan Street, Kalgoorlie W.A. 6430 parts@mtunderground.com www.mtunderground.com	
UNDERGROUND DRILL RELIABILITY	
PAGE 2.4	



ITEM	PART NUMBER	DESCRIPTION	QTY	COMMENTS
1	MT4050 1838 01	UNIVERSAL CRADLE	1	
2	MT3128 3098 07	DRIVER	1	
3	MT3128 0314 00	BEARING	1	
4	MT3128 2174 00B	BEARING COVER	1	MT only
5	MT3128 3105 22	SPACER	1	
6	MT3128 3105 20	SPACER	2	
7	MT0333 0500 03	WASHER PLATE	4	
8	MT3128 0083 00	SLIDE HOLDER LH	4	
9	MT3128 0082 00	SLIDE HOLDER RH	4	
10	MT3128 0646 00	SLIDE KEY	16	
11	MT3128 3043 55	NYLON SLIDE - BLUE	8	Upholes - mid
11.1	MT3128 3043 55H	NYLON SLIDE - WHITE	0	Downholes - hard
12	MT0580 2202 00	COUPLING 90°	1	
13	MT0544 2162 00	GREASE NIPPLE	1	
14	MT3128 0016 31BK	BOLT KIT	0	
15	MT3128 3098 206	MAGNET MOUNT	1	
16	MT3128 3098 226	MAGNET HOLDING BRACKET	1	
17	MT3128 3105 18	MAGNET	1	Includes bolts & nuts
18	MT3176 5409 001	DAMPER KIT COMPLETE	1	
19	MT3128 L660 75	COLLECT BLOCK	1	
20	MT3128 L660 FK	FITTINGS KIT	0	

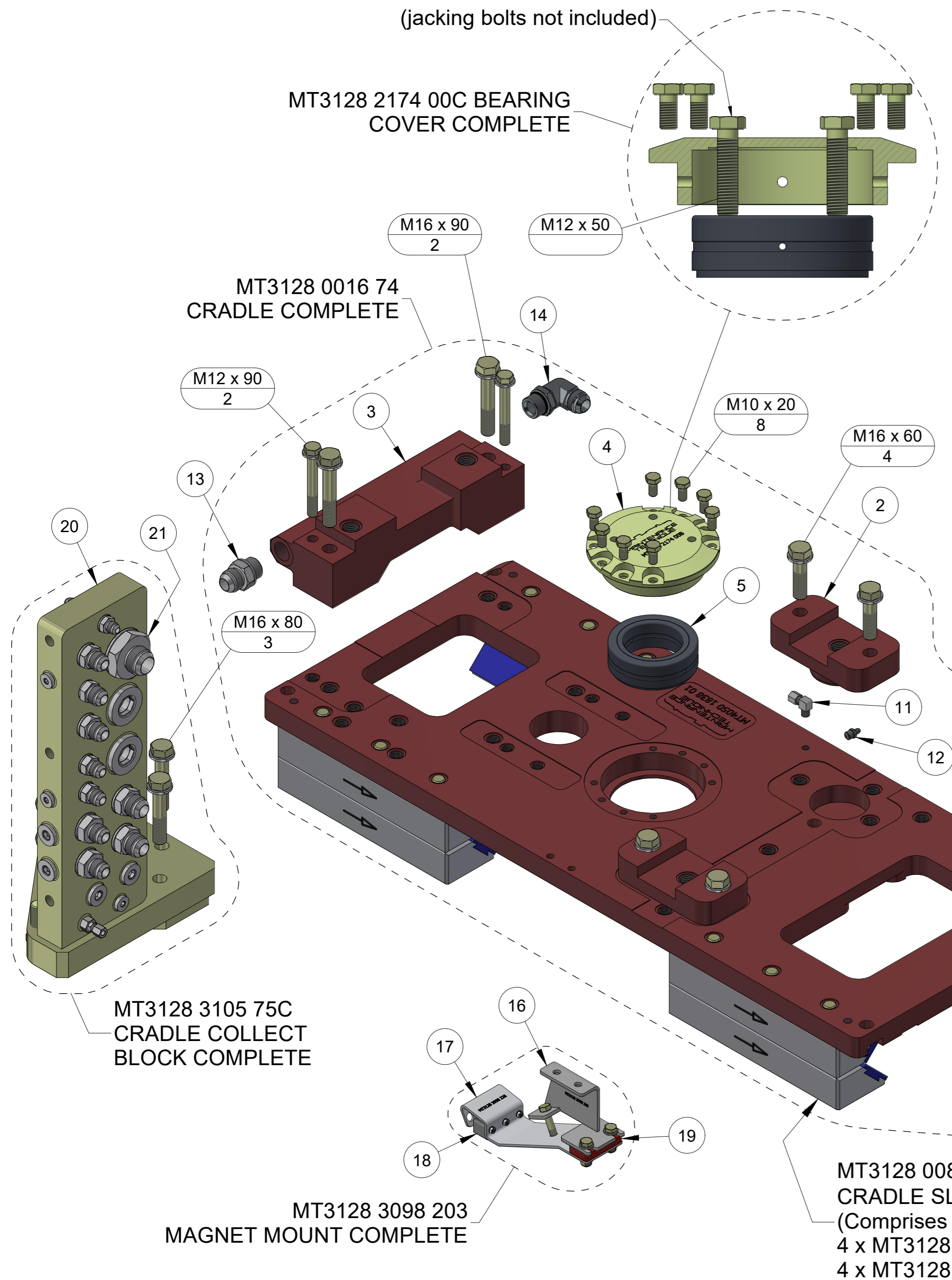


PART NUMBER	DESCRIPTION
MT3128 0016 31C	CRADLE ASSEMBLY - 1838
MT Parts: 0407 059 610 1 Haehy Circuit, Roseworthy S.A. 5371 171 Dugan Street, Kalgoorlie W.A. 6430 parts@mtunderground.com www.mtunderground.com	
PAGE	2.5

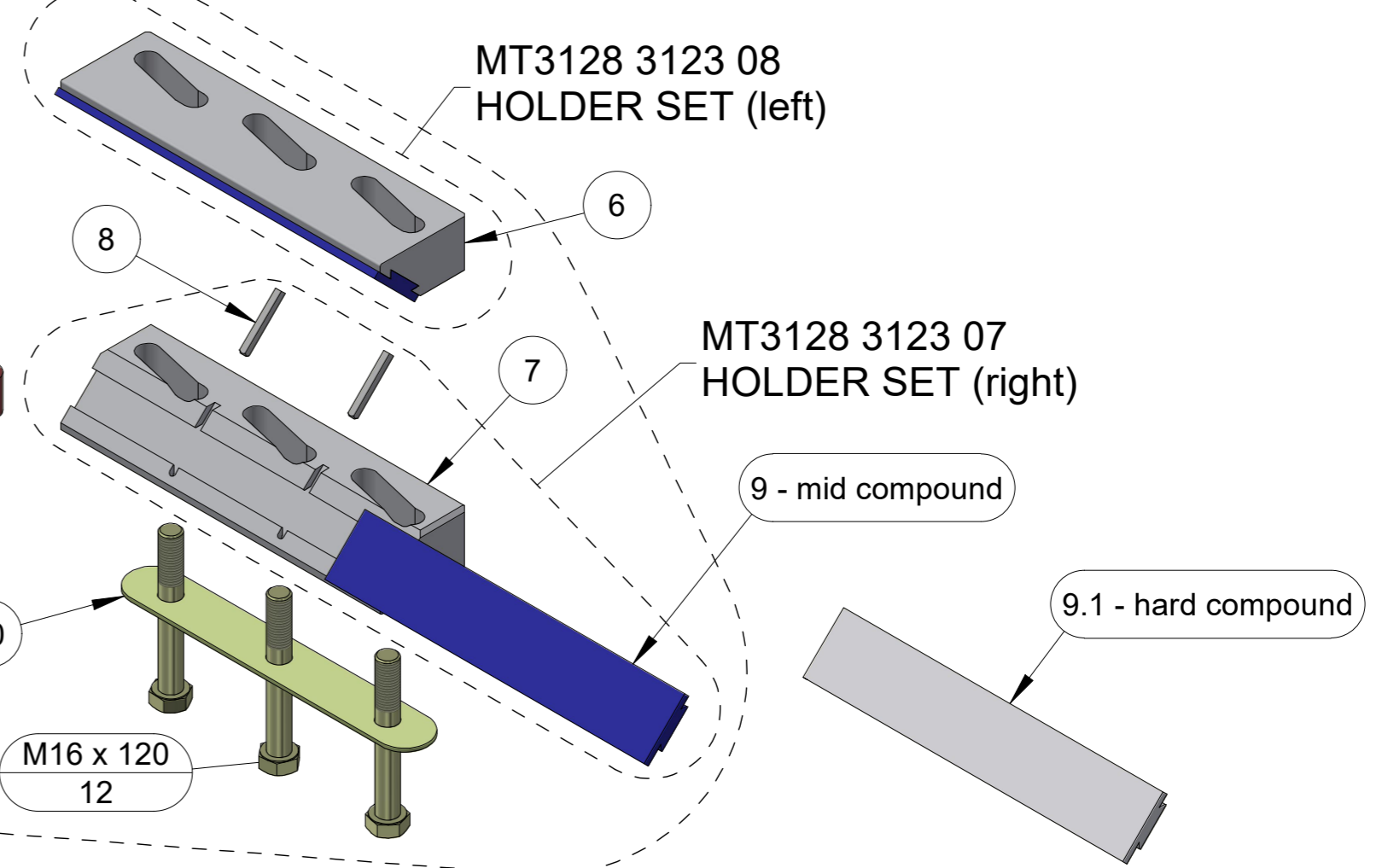


ITEM	PART NUMBER	DESCRIPTION	QTY	COMMENTS
1	MT3128 0032 15	CRADLE 3060B	1	
2	MT3128 3098 29	DRIVER	1	
3	MT3128 0314 00	BEARING	1	
4	MT3128 2174 00B	BEARING COVER	1	MT only
5	MT3128 3098 31	SPACER	2	
6	MT3128 3098 32	ATTACHMENT	1	
7	MT0333 0500 03	WASHER PLATE	4	
8	MT3128 0083 00	SLIDE HOLDER LH	4	
9	MT3128 0082 00	SLIDE HOLDER RH	4	
10	MT3128 0646 00	SLIDE KEY	16	
11	MT3128 3043 55	NYLON SLIDE - BLUE	8	Upholes - mid
11.1	MT3128 3043 55H	NYLON SLIDE - WHITE	0	Downholes - hard
12	MT0580 2202 00	COUPLING 90°	1	
13	MT0544 2162 00	GREASE NIPPLE	1	
14	MT3128 0016 43BK	BOLT KIT	0	
15	MT3128 3098 206	MAGNET MOUNT	1	
16	MT3128 3098 226	MAGNET HOLDING BRACKET	1	
17	MT3128 3105 18	MAGNET	1	Includes bolts & nuts
18	MT3176 5409 001	DAMPER KIT COMPLETE	1	
19	MT3128 L660 75	COLLECT BLOCK	1	
20	MT3128 L660 FK	FITTINGS KIT	0	


PART NUMBER MT3128 0016 43C	DESCRIPTION CRADLE ASSEMBLY - 3060
	
MT Parts: 0407 059 610 1 Haehy Circuit, Roseworthy S.A. 5371 171 Dugan Street, Kalgoorlie W.A. 6430 parts@mtunderground.com www.mtunderground.com	
PAGE	2.6




ITEM	PART NUMBER	DESCRIPTION	QTY	COMMENTS
1	MT4050 1838 01	UNIVERSAL CRADLE	1	
2	MT3128 3105 12	SPACER	2	
3	MT3128 3105 13M	SPACER	1	
4	MT3128 2174 00B	BEARING COVER	1	MT only
5	MT3128 0314 00	BEARING	1	
6	MT3128 0083 00	SLIDE HOLDER LH	4	
7	MT3128 0082 00	SLIDE HOLDER RH	4	
8	MT3128 0646 00	SLIDE KEY	16	
9	MT3128 3043 55	NYLON SLIDE - BLUE	8	Upholes - mid
9.1	MT3128 3043 55H	NYLON SLIDE - WHITE	0	Downholes - hard
10	MT0333 0500 03	WASHER PLATE	4	
11	MT0580 2202 00	COUPLING 90°	1	
12	MT0544 2162 00	GREASE NIPPLE	1	
13	MT3176 6517 00	BSPP x JIC Nipple	1	
14	MT3176 6567 00	BSPP x JIC Elbow 90°	1	
15	MT3128 0016 74BK	BOLT KIT	0	
16	MT3128 3098 206	MAGNET MOUNT	1	
17	MT3128 3098 226	MAGNET HOLDING BRACKET	1	
18	MT3128 3105 18	MAGNET	1	Includes bolts & nuts
19	MT3176 5409 001	DAMPER KIT COMPLETE	1	
20	MT3128 3105 751	COLLECT BLOCK	1	
21	MT3128 3105 75FK	FITTINGS KIT	0	



PART NUMBER	DESCRIPTION
MT3128 0016 74C	CRADLE ASSEMBLY - 4050



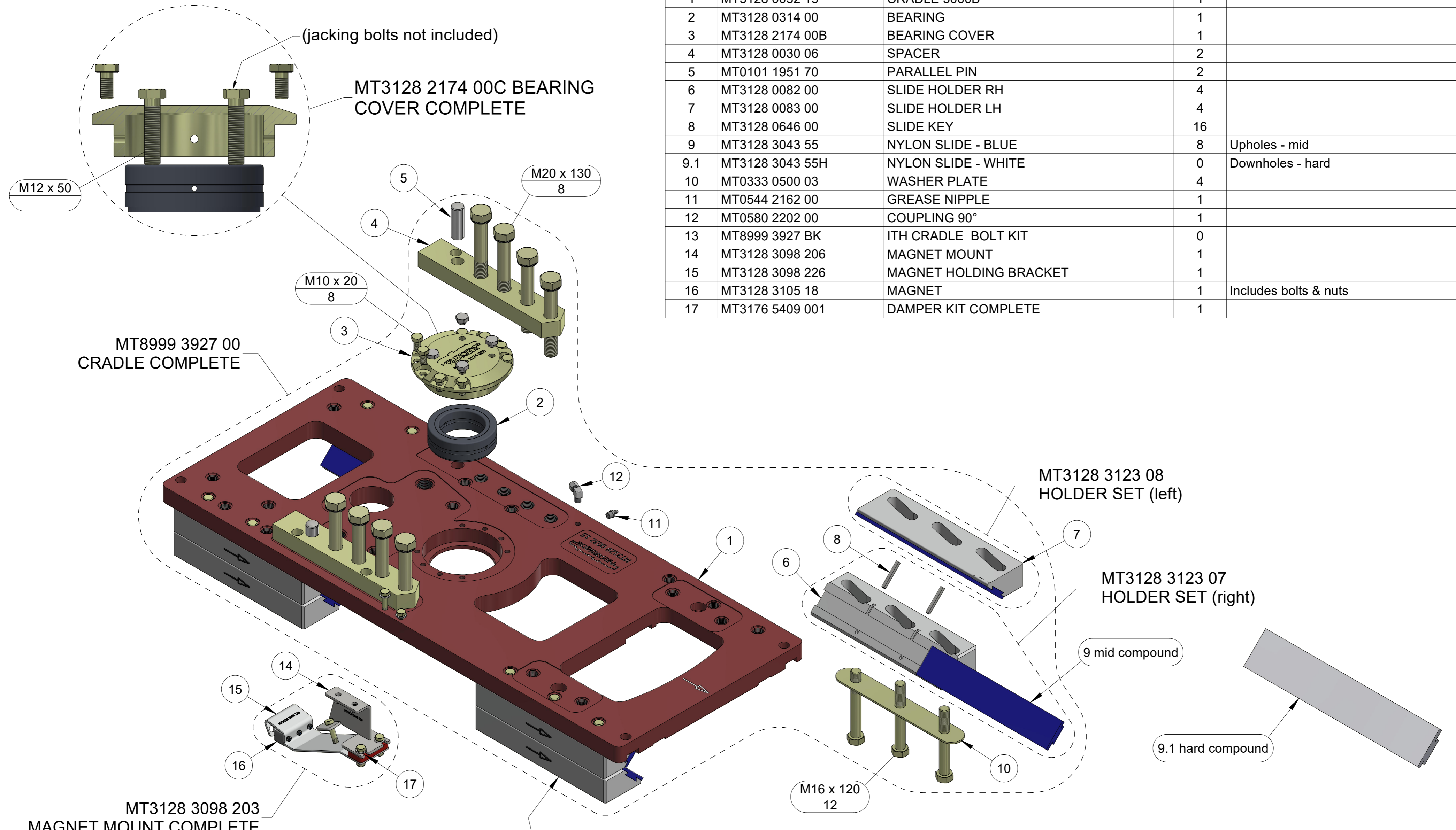


UNDERGROUND DRILL RELIABILITY

MT Parts: 0407 059 610
1 Haesy Circuit, Roseworthy S.A. 5371
171 Dugan Street, Kalgoorlie W.A. 6430
parts@mtunderground.com
www.mtunderground.com



PAGE 2.7

ITEM	PART NUMBER	DESCRIPTION	QTY	COMMENTS
1	MT3128 0032 15	CRADLE 3060B	1	
2	MT3128 0314 00	BEARING	1	
3	MT3128 2174 00B	BEARING COVER	1	
4	MT3128 0030 06	SPACER	2	
5	MT0101 1951 70	PARALLEL PIN	2	
6	MT3128 0082 00	SLIDE HOLDER RH	4	
7	MT3128 0083 00	SLIDE HOLDER LH	4	
8	MT3128 0646 00	SLIDE KEY	16	
9	MT3128 3043 55	NYLON SLIDE - BLUE	8	Upholes - mid
9.1	MT3128 3043 55H	NYLON SLIDE - WHITE	0	Downholes - hard
10	MT0333 0500 03	WASHER PLATE	4	
11	MT0544 2162 00	GREASE NIPPLE	1	
12	MT0580 2202 00	COUPLING 90°	1	
13	MT8999 3927 BK	ITH CRADLE BOLT KIT	0	
14	MT3128 3098 206	MAGNET MOUNT	1	
15	MT3128 3098 226	MAGNET HOLDING BRACKET	1	
16	MT3128 3105 18	MAGNET	1	Includes bolts & nuts
17	MT3176 5409 001	DAMPER KIT COMPLETE	1	

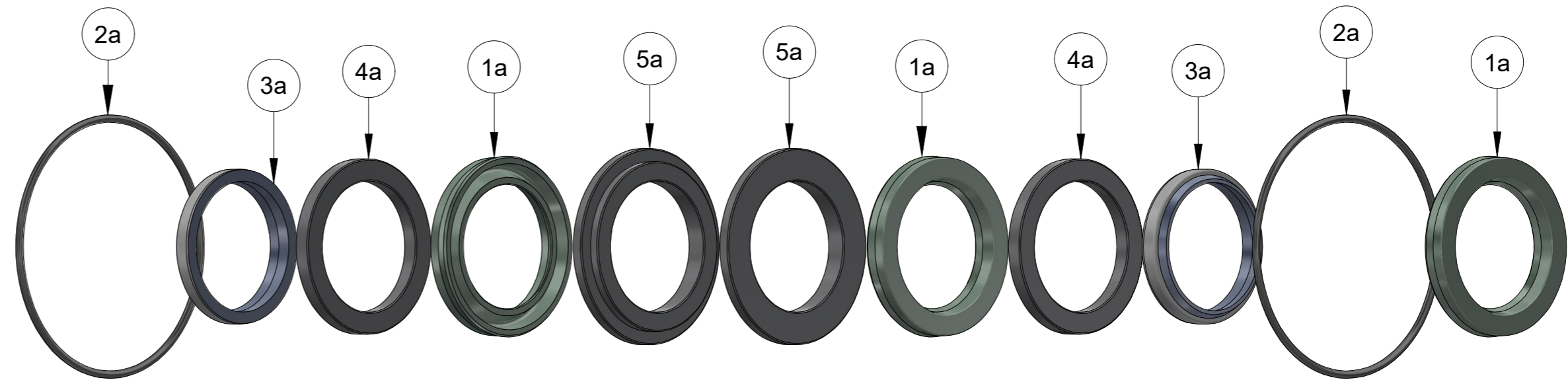


MT3128 3098 203
MAGNET MOUNT COMPLETE

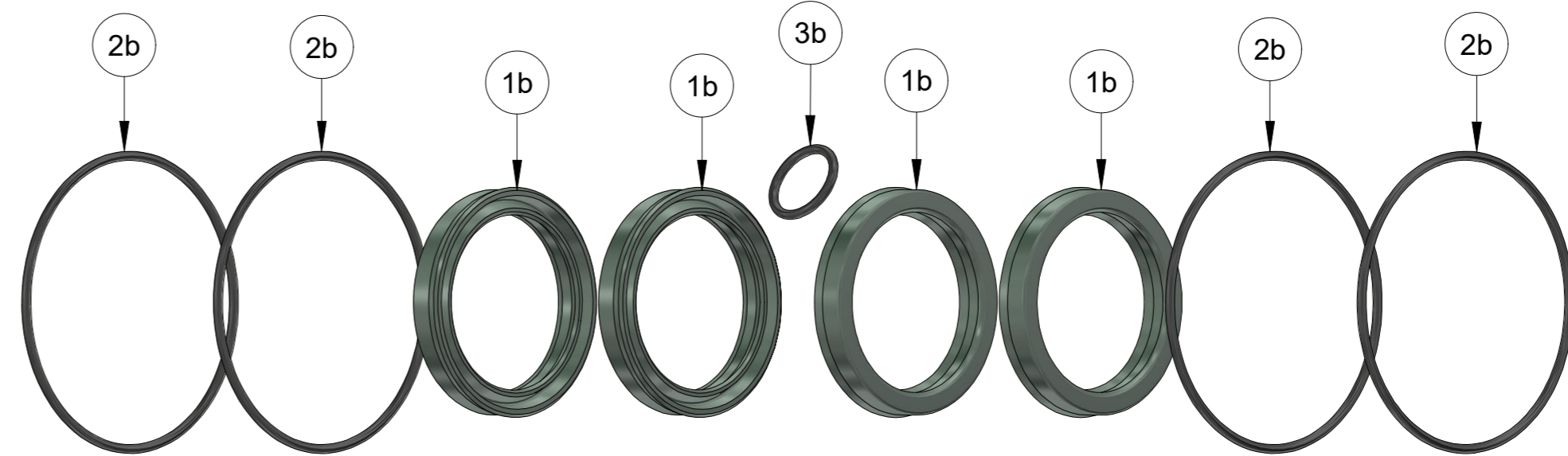
MT3128 0082 83
CRADLE SLIDE SET COMPLETE
(Comprises of
4 x MT3128 3123 07 holder set
4 x MT3128 3123 08 holder set)

PART NUMBER	DESCRIPTION
MT8999 3927 00C	CRADLE ASSEMBLY - ITH
	
MT Parts: 0407 059 610 1 Haehy Circuit, Roseworthy S.A. 5371 171 Dugan Street, Kalgoorlie W.A. 6430 parts@mtunderground.com www.mtunderground.com	
PAGE	2.8

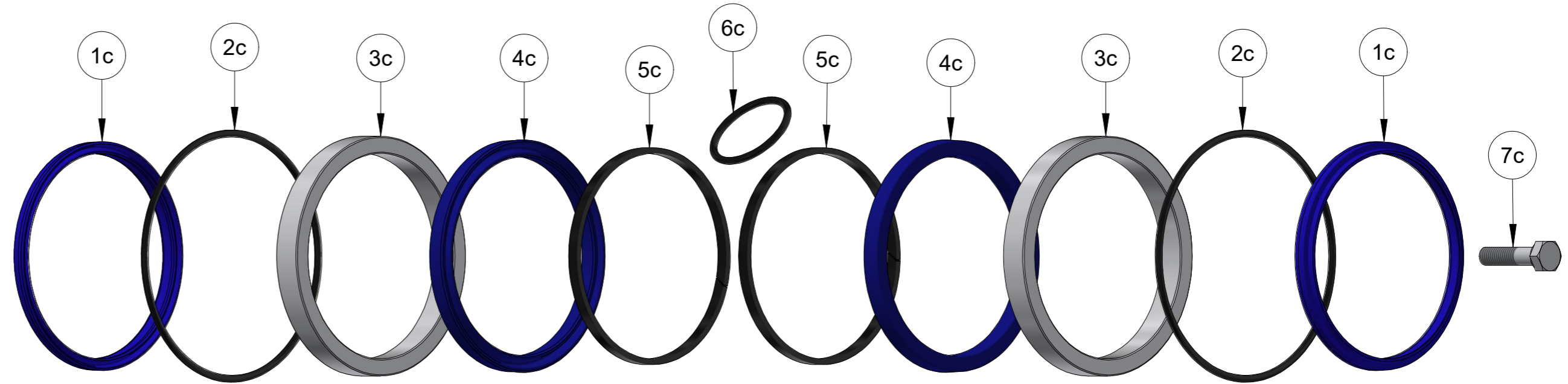
MT9754 0067 80 Flushing Kit 1838 MUX			
ITEM	PART NUMBER	DESCRIPTION	QTY
1a	MT3115 2386 00	CUP SEAL	3
2a	MT0663 2104 94	O-RING	2
3a	MT3115 3236 00	WIPER	2
4a	MT3115 3196 02	GUIDE	2
5a	MT3115 3197 02	GUIDE	2



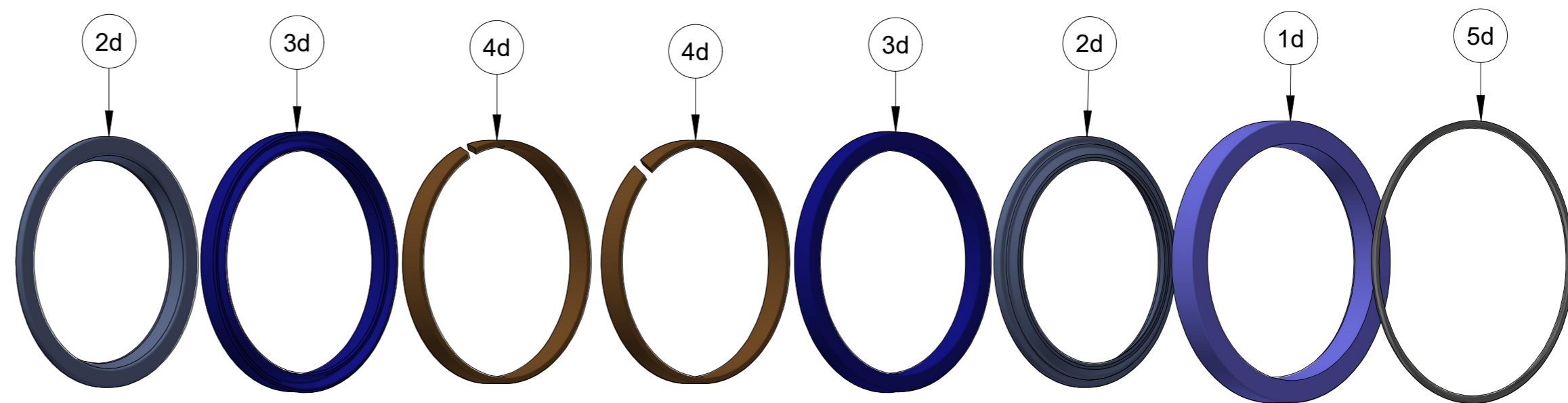
MT3115 2387 SK Flushing Kit 1838 MEX			
ITEM	PART NUMBER	DESCRIPTION	QTY
1b	MT3115 2387 00	CUP SEAL	4
2b	MT0663 6143 01	O-RING	4
3b	MT0663 2126 01	O-RING	1





MT3115 3060 SK Flushing Kit 3060 MUX			
ITEM	PART NUMBER	DESCRIPTION	QTY
1c	MT3115 5756 00	WIPER	2
2c	MT0663 6145 00	O-RING	2
3c	MT3115 5730 00	GUIDE	2
4c	MT3115 3059 00	CUP SEAL	2
5c	MT3115 5731 00	WEAR BAND	2
6c	MT0663 2131 00	O-RING	1
7c	MT0147 1327 03SS	SCREW	12

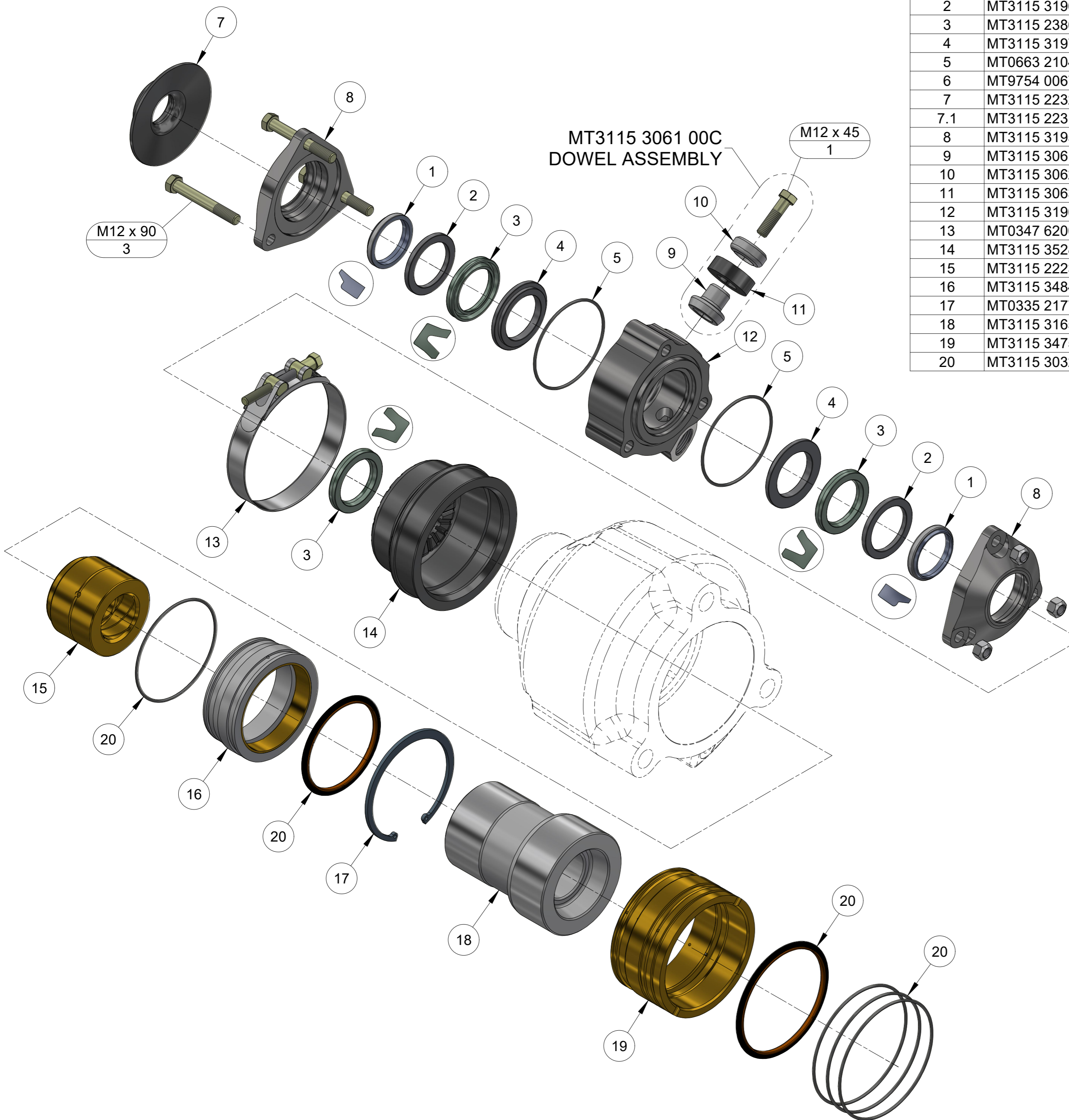


MT3115 3059 SK Flushing Kit 4050 MUX			
ITEM	PART NUMBER	DESCRIPTION	QTY
1d	MT3115 3044 00	CUP SEAL	1
2d	MT3115 3060 00	WIPER	2
3d	MT3115 3059 00	CUP SEAL	2
4d	MT3115 3058 00	GUIDE	2
5d	MT0663 2106 33	O-RING	1



PART NUMBER MT3115 2387 SK	DESCRIPTION FLUSHING KIT 1838 MEX
PART NUMBER MT3115 3060 SK	DESCRIPTION FLUSHING KIT 3060 MUX
PART NUMBER MT3115 3059 SK	DESCRIPTION FLUSHING KIT 4050 MUX

PART NUMBER MT9754 0067 80	DESCRIPTION FLUSHING KIT 1838 MUX
	
MT Parts: 0407 059 610 1 Haehy Circuit, Roseworthy S.A. 5371 171 Dugan Street, Kalgoorlie W.A. 6430 parts@mtunderground.com www.mtunderground.com	



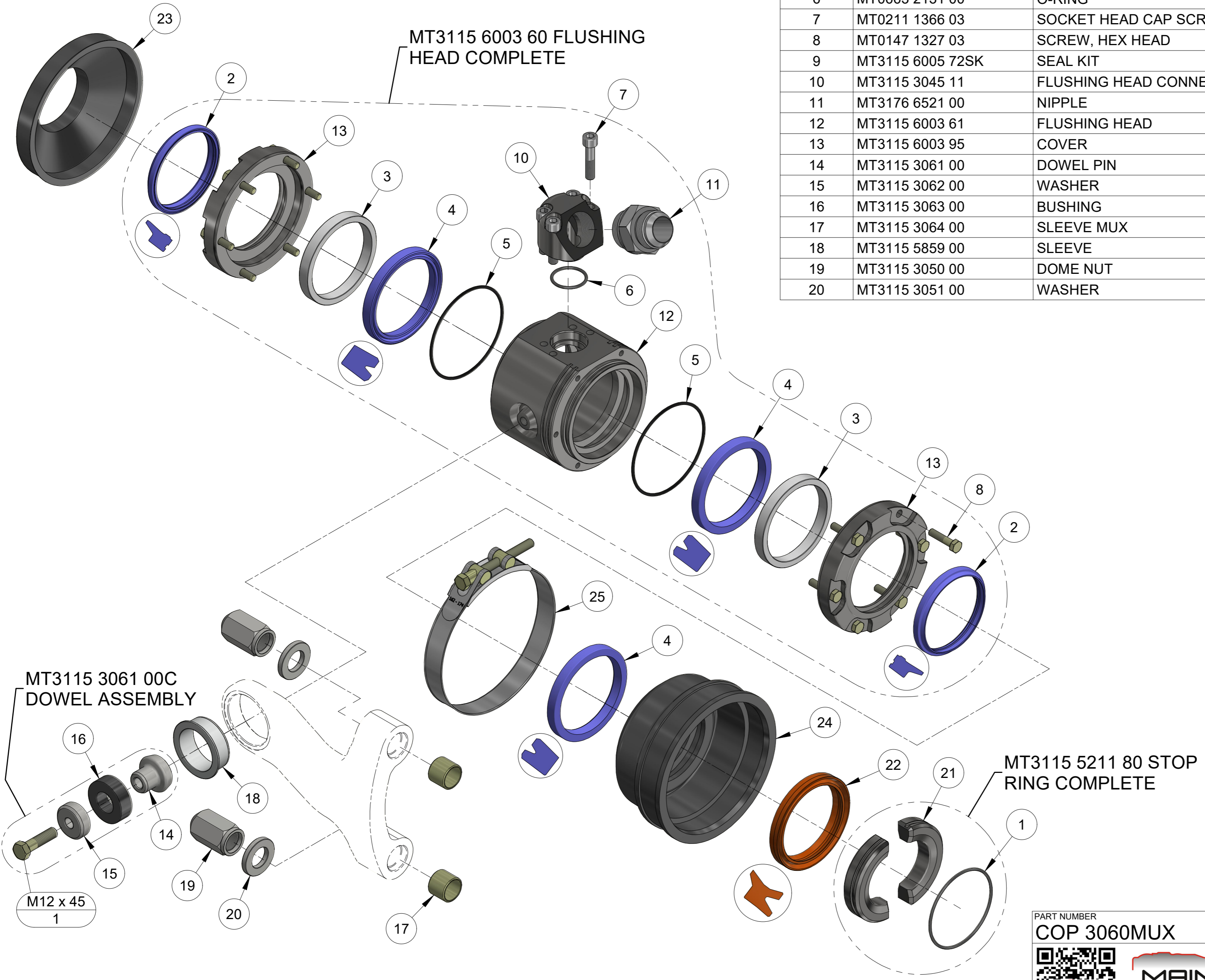
MT3115 3061 00C
DOWEL ASSEMBLY

ITEM	PART NUMBER	DESCRIPTION	QTY	COMMENTS
1	MT3115 3236 00	WIPER	2	
2	MT3115 3196 02	GUIDE	2	
3	MT3115 2386 00	CUP SEAL	3	
4	MT3115 3197 02	GUIDE	2	
5	MT0663 2104 94	O-RING	2	
6	MT9754 0067 80	FLUSHING KIT		Includes items 1 - 5
7	MT3115 2232 00	DRILL COLLAR ST45	1	
7.1	MT3115 2231 00	DRILL COLLAR ST38	1	
8	MT3115 3195 01	COVER	2	
9	MT3115 3061 00	DOWEL PIN	1	
10	MT3115 3062 00	WASHER	1	
11	MT3115 3063 00	BUSHING	1	
12	MT3115 3190 00	FLUSHING HEAD	1	
13	MT0347 6200 21	HOSE CLAMP	1	
14	MT3115 3528 00	SEAL RETAINER	1	
15	MT3115 2223 02	GUIDE	1	
16	MT3115 3484 00	FRONT BUSH	1	
17	MT0335 2177 00	CIRCLIP	1	
18	MT3115 3165 00	PISTON	1	
19	MT3115 3475 00	REAR BUSH	1	
20	MT3115 3032 00SK	EXTRACTOR SEAL KIT	1	

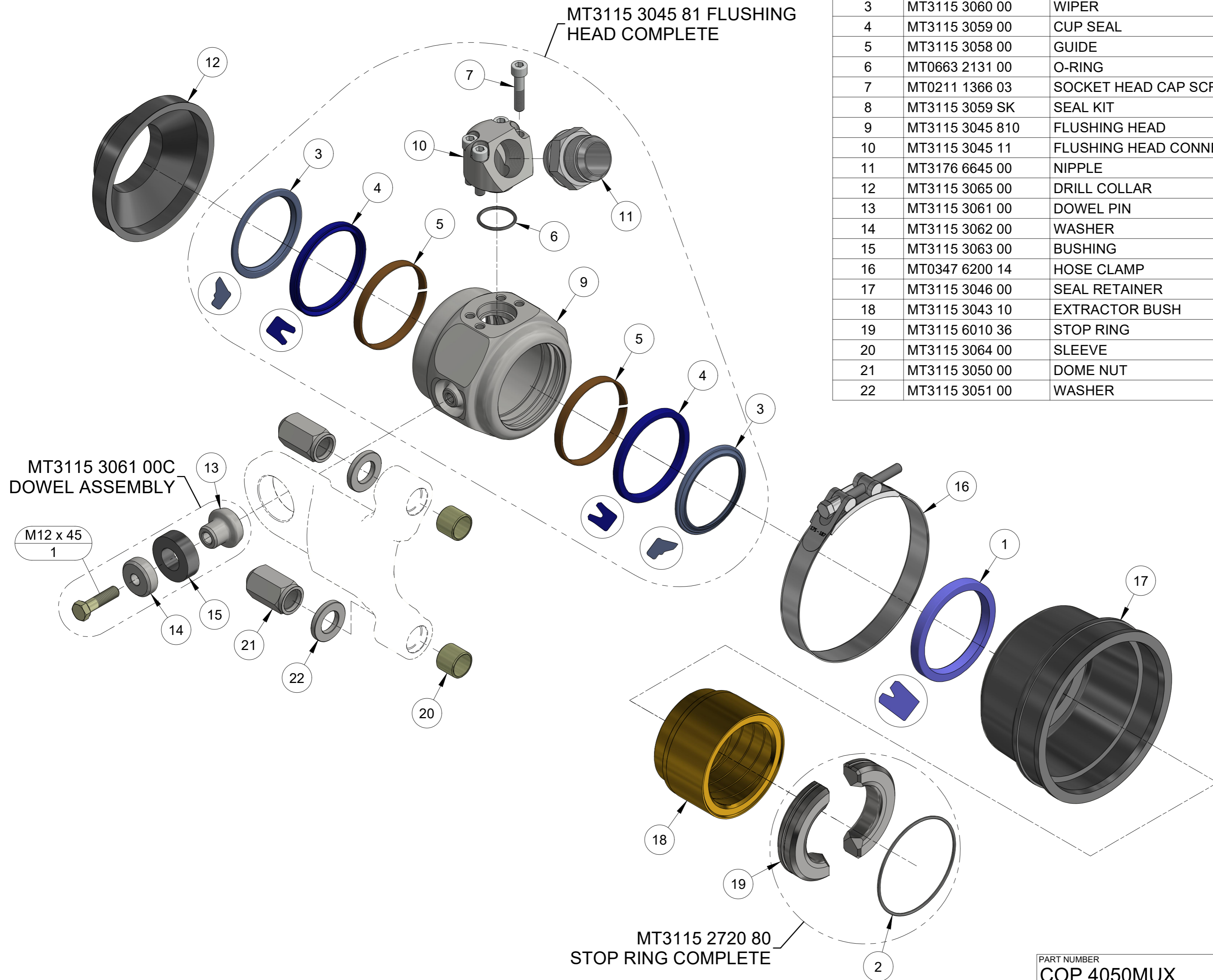
PART NUMBER COP 1838MUX	DESCRIPTION FRONT HEAD PARTS
	<p>MT Parts: 0407 059 610 1 Haesy Circuit, Roseworthy S.A. 5371 171 Dugan Street, Kalgoorlie W.A. 6430 parts@mtunderground.com www.mtunderground.com</p>
 UNDERGROUND DRILL RELIABILITY	

ITEM	PART NUMBER	DESCRIPTION	QTY	COMMENTS
21	MT3115 5211 00	STOP RING	1	
22	MT3115 5754 02	WIPER	1	
23	MT3115 3065 10	DRILL COLLAR	1	
24	MT3115 3046 02	SEAL RETAINER	1	
25	MT0347 6200 25	HOSE CLAMP	1	

ITEM	PART NUMBER	DESCRIPTION	QTY	COMMENTS
1	MT0663 6142 00	O-RING	1	
2	MT3115 6005 27	WIPER	2	
3	MT3115 5730 00	GUIDE	2	
4	MT3115 3044 00	CUP SEAL	3	2 for flushing head
5	MT0663 6145 00	O-RING	2	
6	MT0663 2131 00	O-RING	1	
7	MT0211 1366 03	SOCKET HEAD CAP SCREW	4	
8	MT0147 1327 03	SCREW, HEX HEAD	12	
9	MT3115 6005 72SK	SEAL KIT		Includes items 1 - 8
10	MT3115 3045 11	FLUSHING HEAD CONNECTION	1	
11	MT3176 6521 00	NIPPLE	1	
12	MT3115 6003 61	FLUSHING HEAD	1	
13	MT3115 6003 95	COVER	2	
14	MT3115 3061 00	DOWEL PIN	1	
15	MT3115 3062 00	WASHER	1	
16	MT3115 3063 00	BUSHING	1	
17	MT3115 3064 00	SLEEVE MUX	2	
18	MT3115 5859 00	SLEEVE	1	
19	MT3115 3050 00	DOME NUT	2	
20	MT3115 3051 00	WASHER	2	



PART NUMBER COP 3060MUX	DESCRIPTION FRONT HEAD PARTS
	<p>MT Parts: 0407 059 610 1 Haehy Circuit, Roseworthy S.A. 5371 171 Dugan Street, Kalgoorlie W.A. 6430</p> <p>parts@mtunderground.com www.mtunderground.com</p>
 UNDERGROUND DRILL RELIABILITY	



ITEM	PART NUMBER	DESCRIPTION	QTY	COMMENTS
1	MT3115 3044 00	CUP SEAL	1	
2	MT0663 2106 33	O-RING	1	
3	MT3115 3060 00	WIPER	2	
4	MT3115 3059 00	CUP SEAL	2	
5	MT3115 3058 00	GUIDE	2	
6	MT0663 2131 00	O-RING	1	
7	MT0211 1366 03	SOCKET HEAD CAP SCREW	4	
8	MT3115 3059 SK	SEAL KIT		Includes items 1 - 7
9	MT3115 3045 810	FLUSHING HEAD	1	
10	MT3115 3045 11	FLUSHING HEAD CONNECTION	1	
11	MT3176 6645 00	NIPPLE	1	
12	MT3115 3065 00	DRILL COLLAR	1	
13	MT3115 3061 00	DOWEL PIN	1	
14	MT3115 3062 00	WASHER	1	
15	MT3115 3063 00	BUSHING	1	
16	MT0347 6200 14	HOSE CLAMP	1	
17	MT3115 3046 00	SEAL RETAINER	1	
18	MT3115 3043 10	EXTRACTOR BUSH	1	
19	MT3115 6010 36	STOP RING	1	
20	MT3115 3064 00	SLEEVE	2	
21	MT3115 3050 00	DOME NUT	2	
22	MT3115 3051 00	WASHER	2	

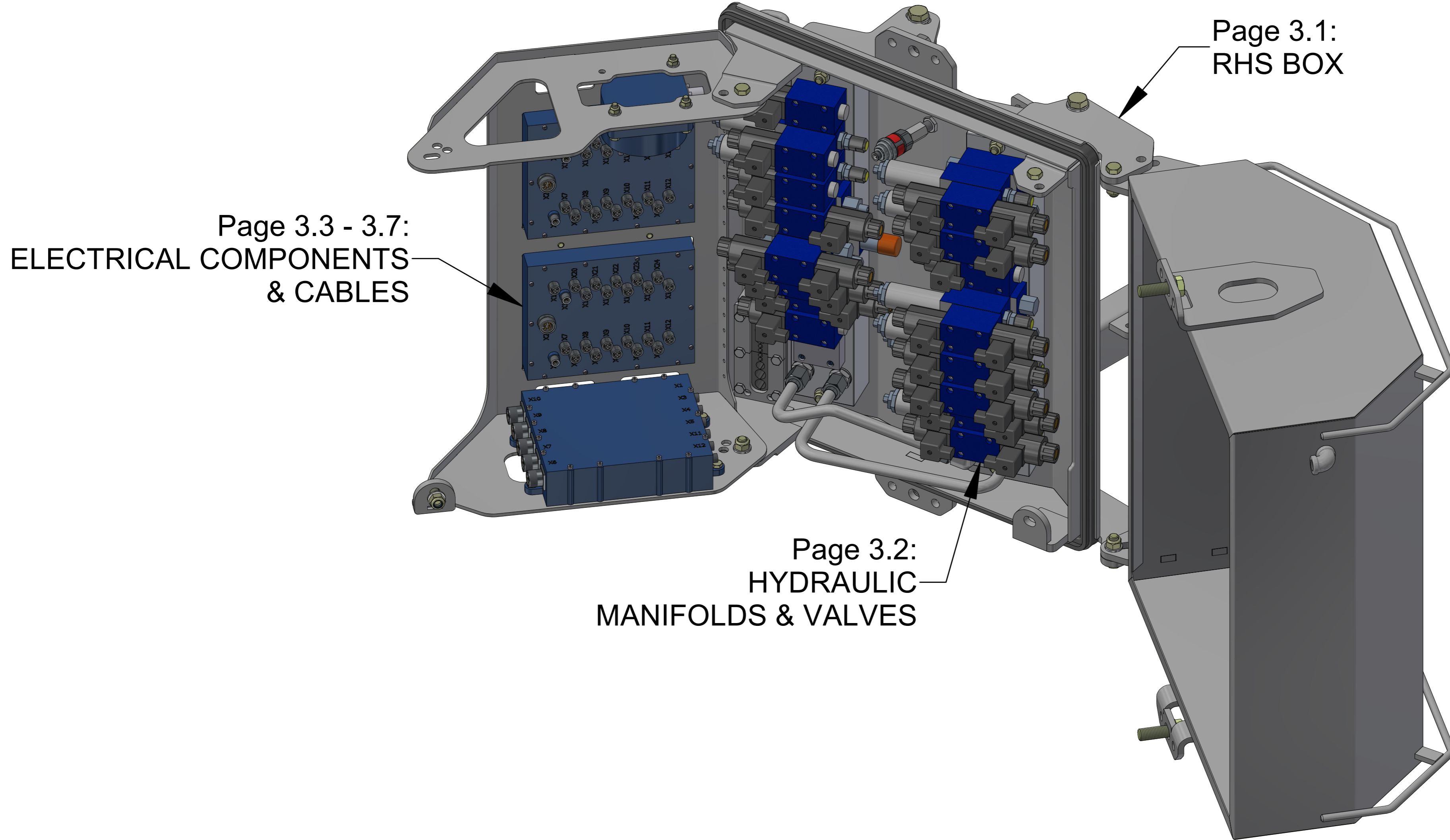
MT3115 3061 00C
DOWEL ASSEMBLY

MT3115 2720 80
STOP RING COMPLETE

PART NUMBER COP 4050MUX	DESCRIPTION FRONT HEAD PARTS
	<p>MT Parts: 0407 059 610 1 Haesy Circuit, Roseworthy S.A. 5371 171 Dugan Street, Kalgoorlie W.A. 6430</p> <p>parts@mtunderground.com www.mtunderground.com</p>

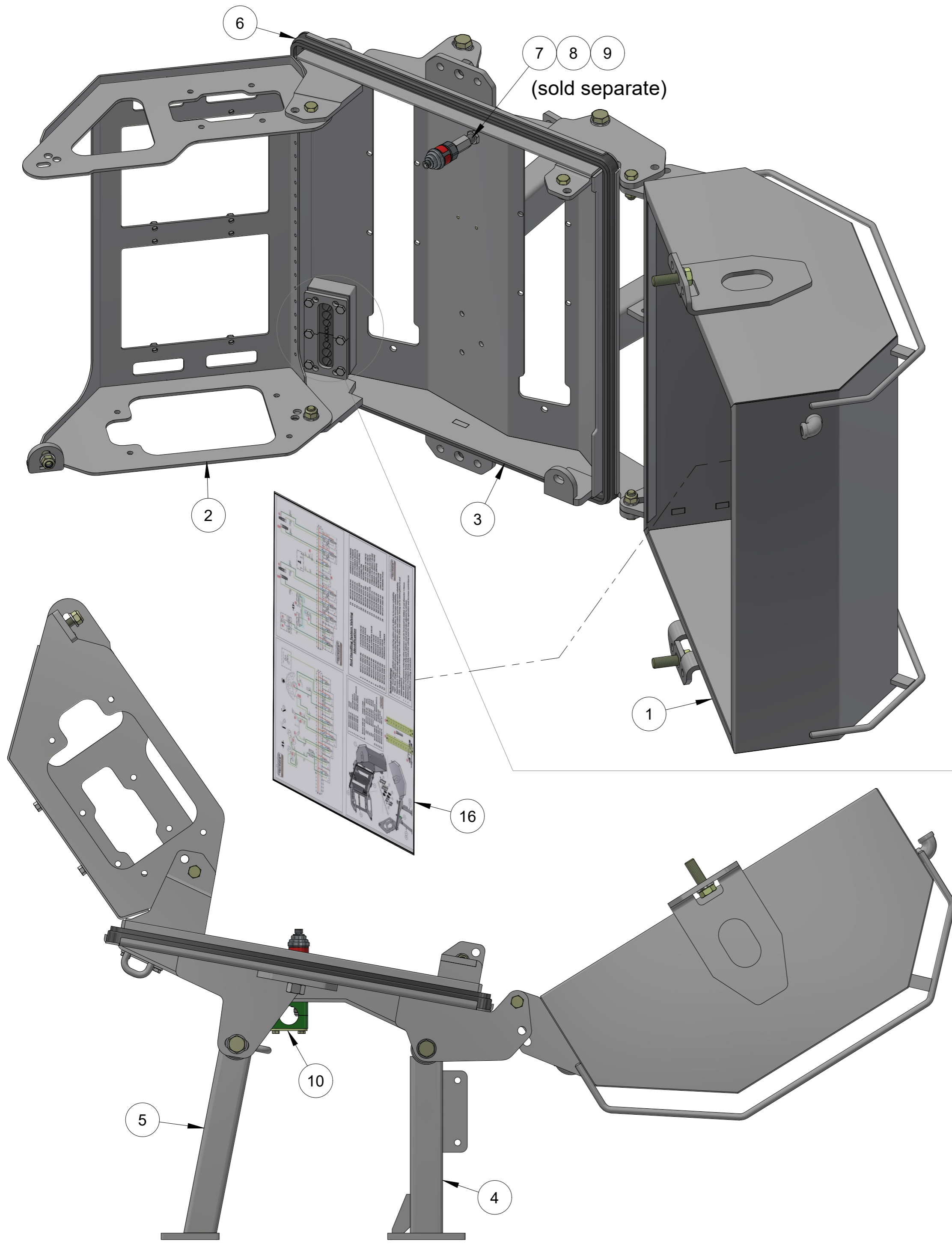
MAINTENANCE TECHNIQUE
UNDERGROUND DRILL RELIABILITY

SECTION 3: ROD HANDLER SYSTEM

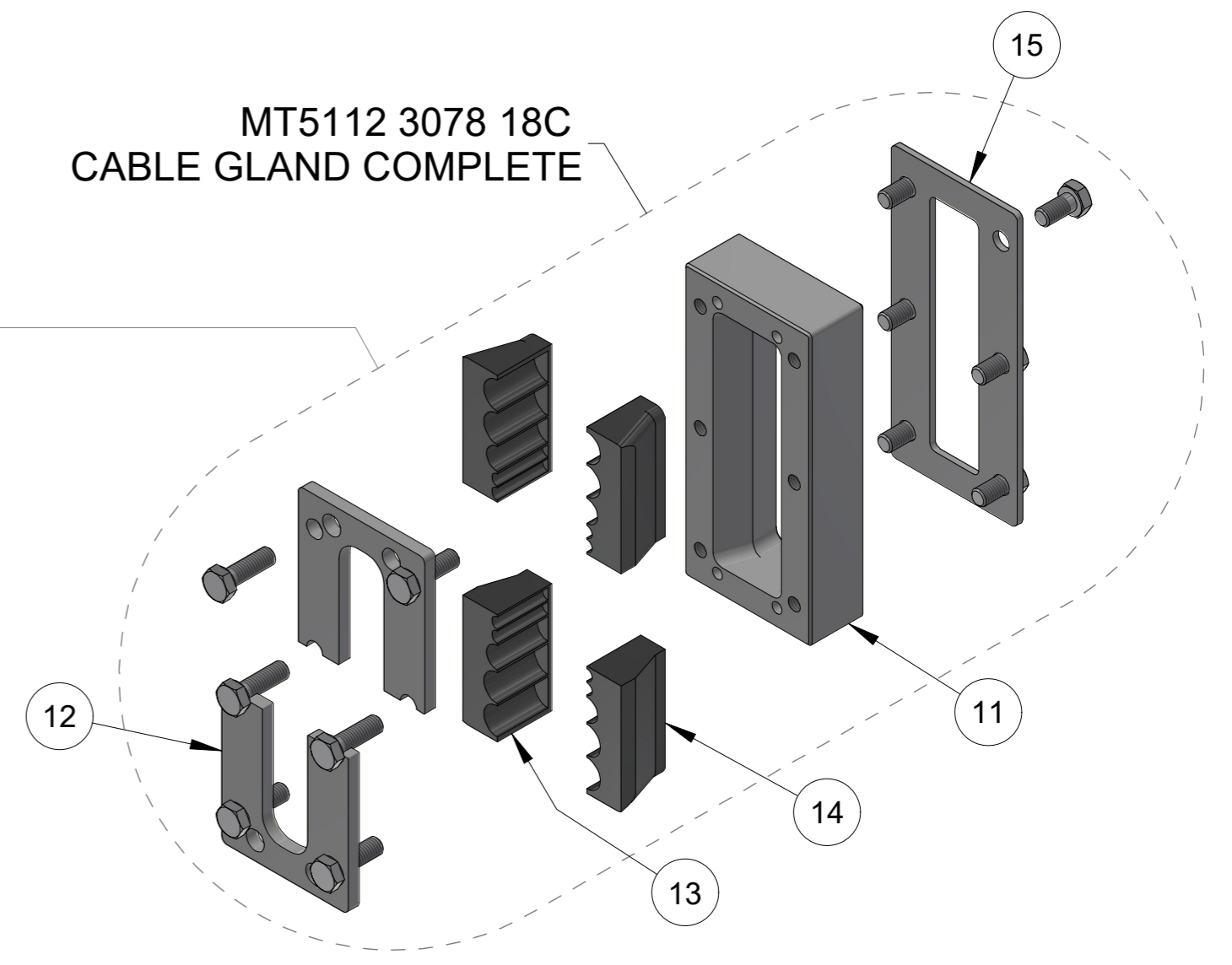


PART NUMBER	DESCRIPTION
	ROD HANDLER SYSTEM MT Parts: 0407 059 610 1 Haehy Circuit, Roseworthy S.A. 5371 171 Dugan Street, Kalgoorlie W.A. 6430 parts@mtunderground.com www.mtunderground.com

MAINTENANCE TECHNIQUE
UNDERGROUND DRILL RELIABILITY

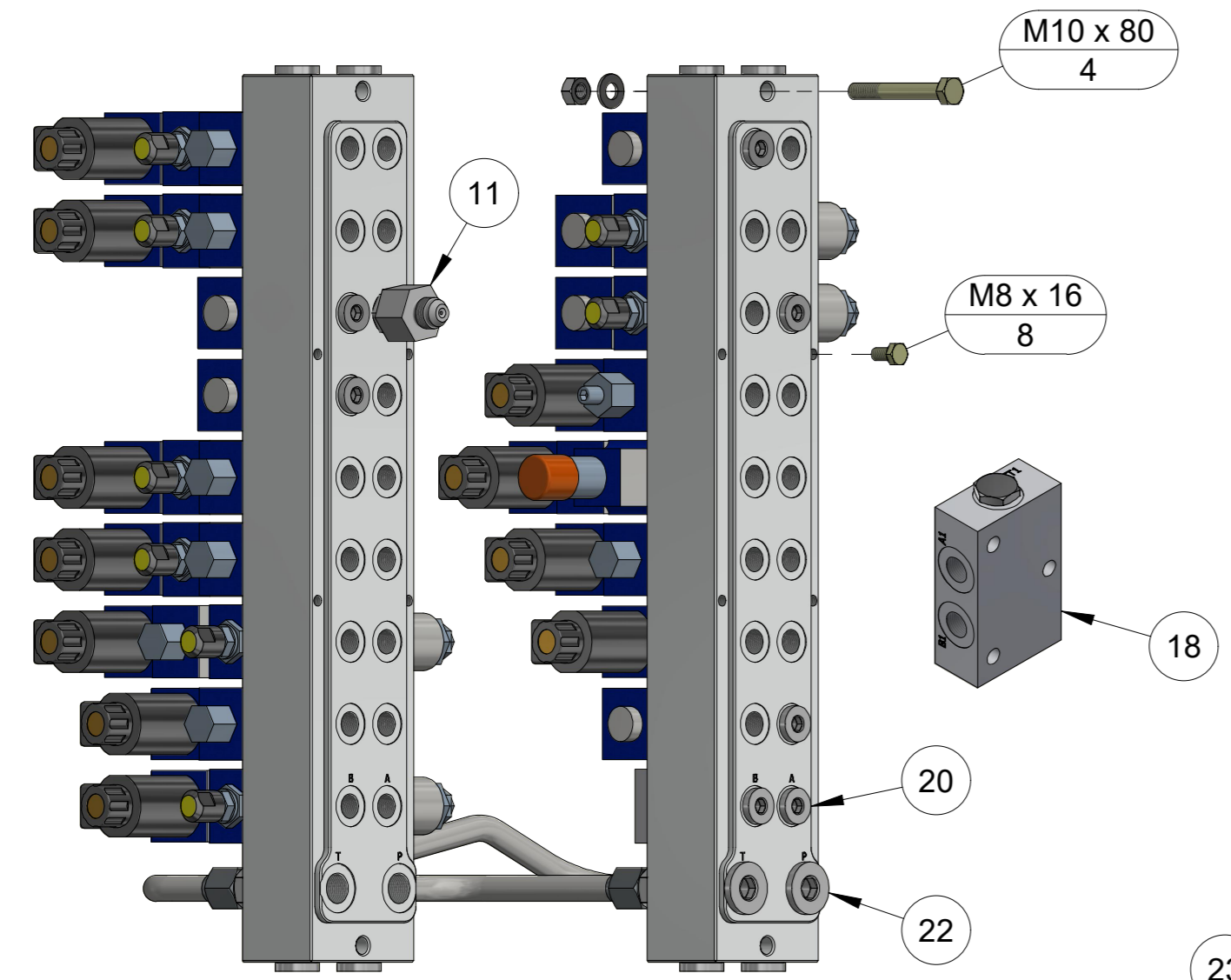


ITEM	PART NUMBER	DESCRIPTION	QTY	COMMENTS
1	MT9111 4095 713	HOOD	1	
2	MT9111 4088 203	PLATE	1	
3	MT9111 4088 003	BOTTOM PLATE	1	
4	MT9111 4088 072	BRACKET RHS27	1	MT box only
5	MT9111 4088 142	BRACKET ANGLED RHS27	1	MT box only
6	MT9111 4088 303	SEALING RUBBER	1	
7	MT9106 2192 01	PRESSURE TRANSDUCER RCS4		350 bar - OEM only
8	MTJIM JBM 0909	JIC x JIC Bulkhead		
9	MT0570 5191 05	TEST CONNECTION ADAPTOR		
10	MT9111 4088 30C	CLAMP 30mm COMPLETE	1	
11	MT5112 3078 GB	BASE	1	
12	MT5112 3078 CP1	CLAMP PLATE	2	
13	MT5112 3078 RB3	RUBBER BLOCK	2	
14	MT5112 3078 RB4	RUBBER BLOCK-OH	2	
15	MT5112 3078 CP2	CLAMP PLATE-OUTER	1	
16	MT9111 4095 71LS	RHS BOX HOOD LABEL SHEET		Affixed to inside of hood

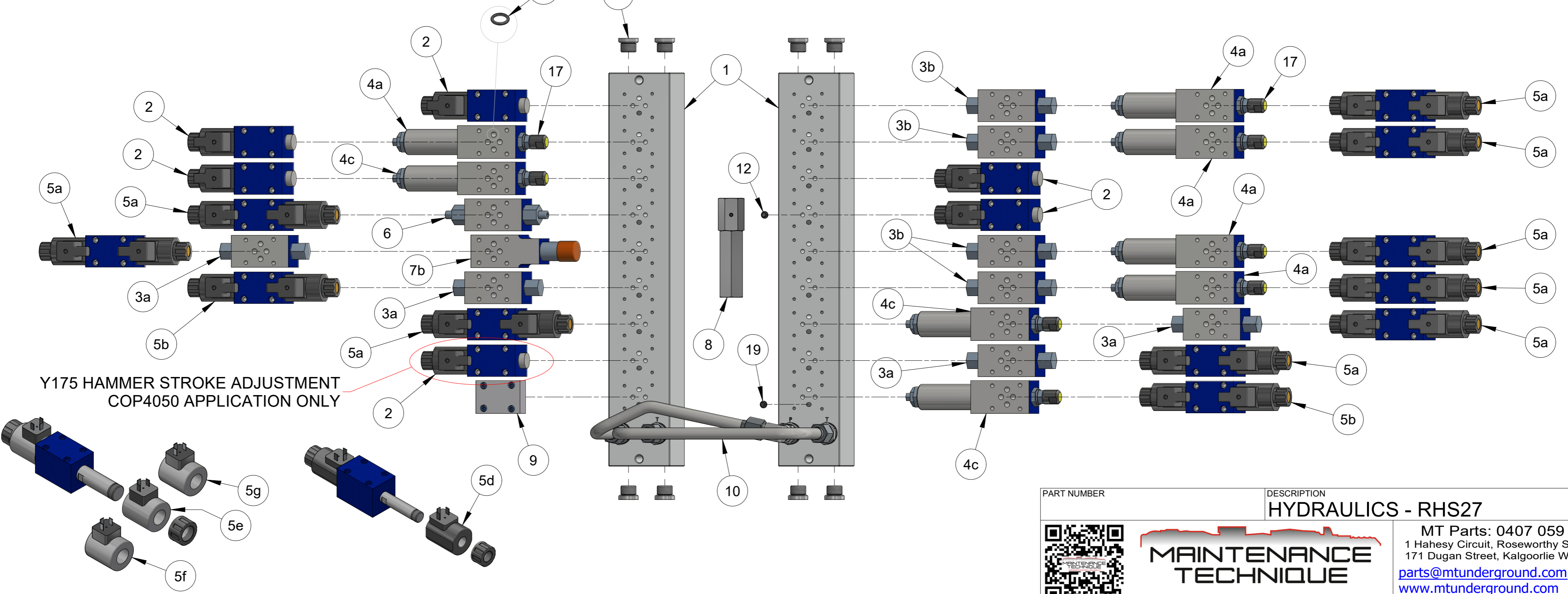




PART NUMBER MT9111 4088 L6	DESCRIPTION ROD HANDLER SYSTEM BOX - RHS27
	
MT Parts: 0407 059 610 1 Haesy Circuit, Roseworthy S.A. 5371 171 Dugan Street, Kalgoorlie W.A. 6430 parts@mtunderground.com www.mtunderground.com	
UNDERGROUND DRILL RELIABILITY	
PAGE 3.1	

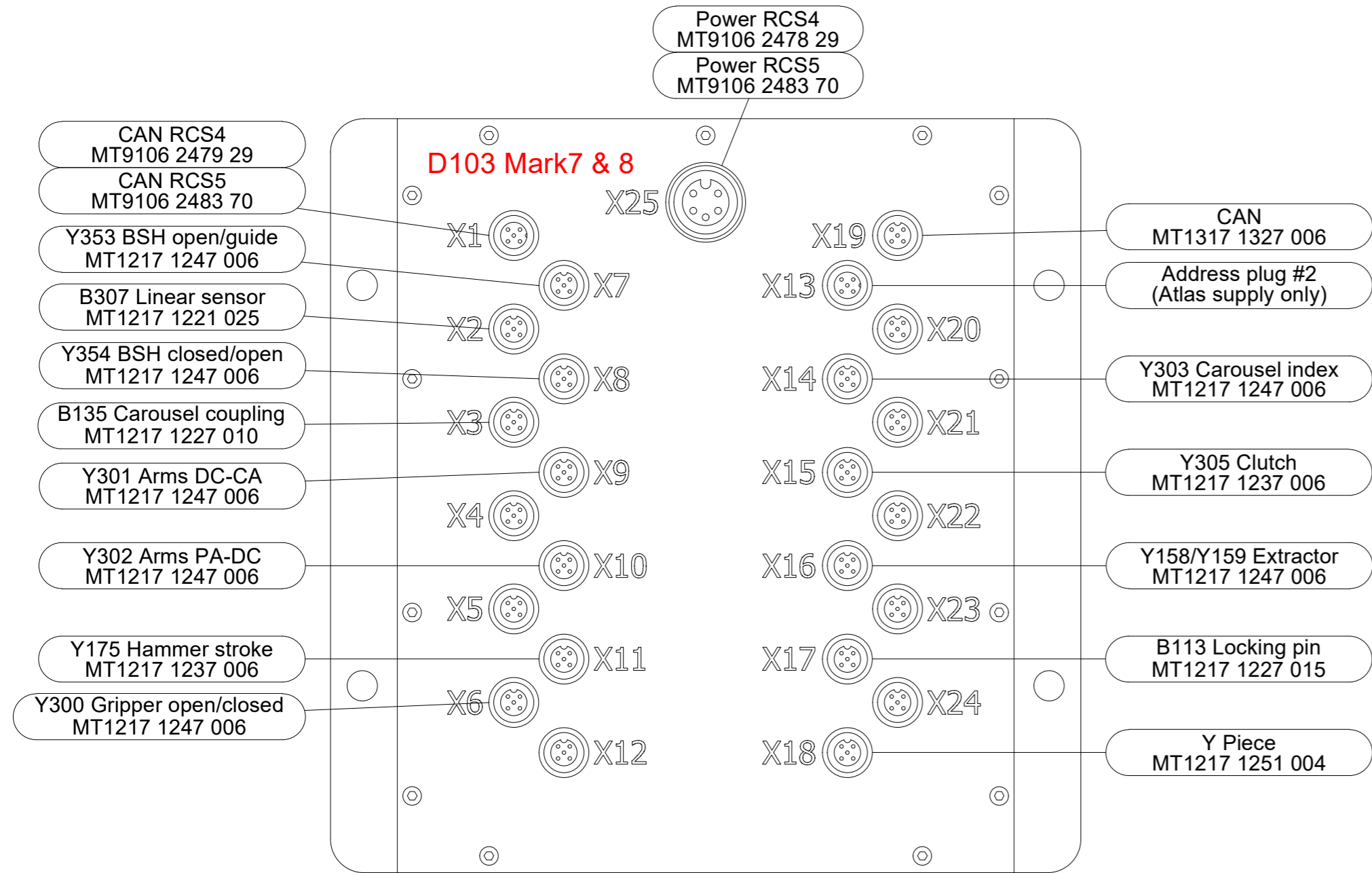
ITEM	PART NUMBER	DESCRIPTION	QTY	COMMENTS	ITEM	PART NUMBER	DESCRIPTION	QTY	COMMENTS
20	MT4BN-6WD	3/8" BSP ALLEN PLUG	7		1	MT9111 4088 25SS	VALVE BLOCK	2	Stainless Steel
21	MT4BN-8WD	1/2" BSP ALLEN PLUG	8		2	MT3177 3092 88	2 POSITION VALVE	6	Rod Handler etc. (24Ω Coil)
22	MT4BN-12WD	3/4" BSP ALLEN PLUG	2		3a	MT3222 3268 96	CHECK VALVE	4	
23	MT5507 8719 00	O-RING	144	DCV O-Ring	3b	MT3217 9075 00	STINGER CHECK VALVE	4	



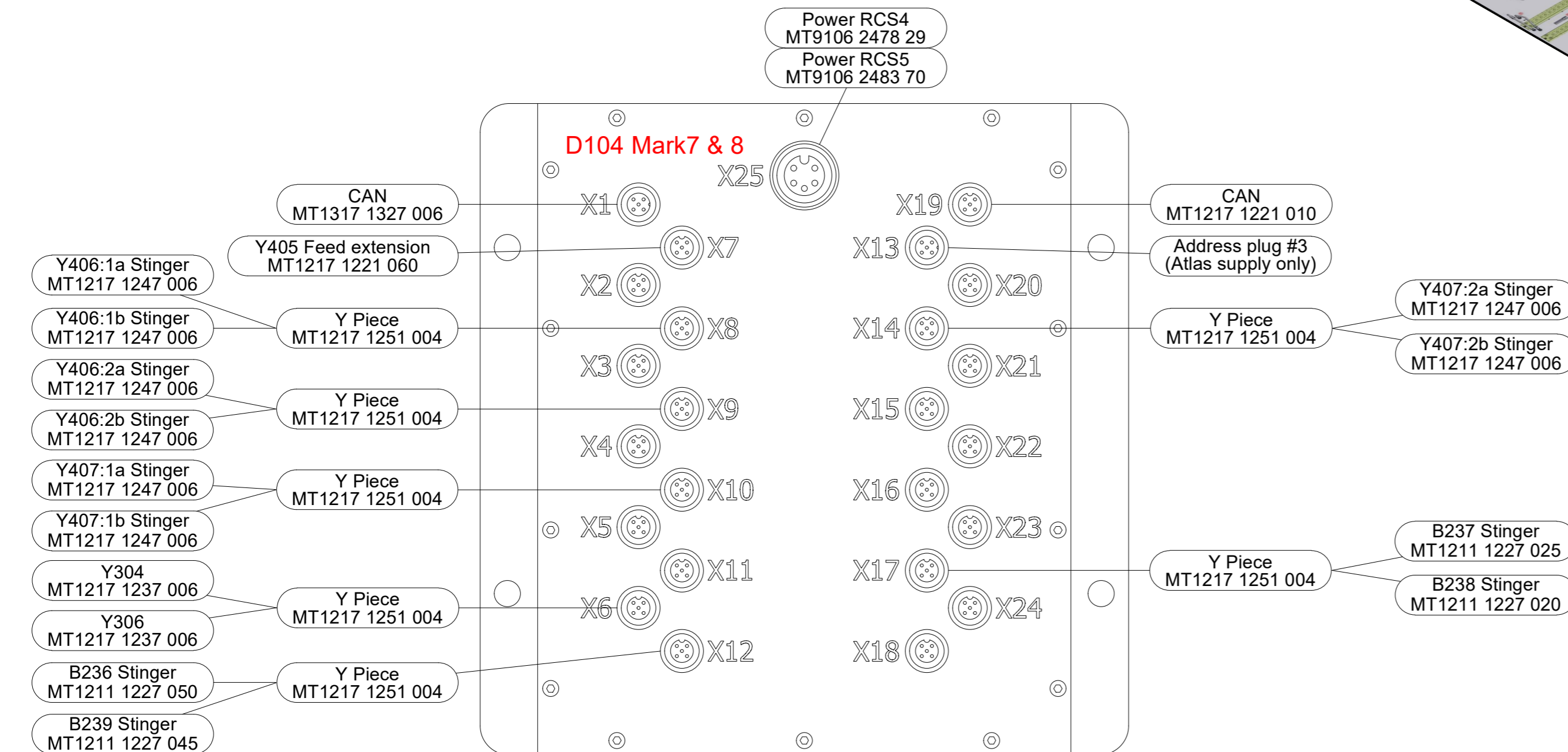
4a	MT3217 9341 60	REDUCER VALVE	5	A-Port reducer
4b	MT3217 9341 40	REDUCER VALVE		B-Port
4c	MT3214 8712 80	REDUCER VALVE	3	P-Port
5a	MT3177 3092 83	3 POSITION VALVE	9	Non-proportional movements (24Ω Coil)
5b	MT3177 3092 60	3 POSITION VALVE	2	Proportional 3 pos. DCV (5Ω Coil)
5c	MT3177 3092 80	3 POSITION VALVE		Closed centre (24Ω Coil)
5d	MT3177 3092 55	24Ω DIRECT COIL	1	16mm shaft ID
5e	MT3177 3092 64	5Ω PROPORTIONAL COIL	1	23mm shaft ID - suit MT supplied HD valves only
5f	MT3177 3092 52	20Ω DIRECT COIL		23mm shaft ID - suit MT supplied HD valves only
5g	MT3177 3092 24WF	PROPORTIONAL COIL WUNDFLAH		23mm shaft ID - suit MT supplied HD valves only
6	MT3217 9773 00	FLOW CONTROL VALVE	1	Dual direction C-top
7a	MT3217 9082 07	RELIEF VALVE		A-Port relief
7b	MT9106 0652 00	RELIEF VALVE	1	B-Port relief
8	MT3125 2794 03	PRESSURE RELIEF VALVE	1	BSH Guide check/relief
9	MT3177 3092 BP	BLANKING PLATE	1	Includes O-Rings & M5x25 SHCS
10	MT9111 4088 PS	PIPE SET	1	For Manifold (pressure + tank pipe)
11	MT3214 7494 03	REDUCTION NIPPLE	1	Extractor restrictor
12	MT3217 2682 00	PLUG	1	P port plug
13	MT9111 4088 FK	FITTINGS KIT		Complete JIC/BSP adaptors for both manifolds
14	MT0211 1215 03	M5x50 SHCS	20	Single stack
15	MT4090 0630 00	M5x90 SHCS	24	Twin stack
16	MT0211 1965 58	M5x130 SHCS	24	Three stack
17	MT3177 3016 00	COUPLING	8	Stauff test point, test 12 to 1/4BSPP
18	MT9106 0630 10	DOUBLE CHECK VALVE	1	
19	MT3125 5350 00	RESTRICTOR (2.4MM)	1	P-port



PART NUMBER	DESCRIPTION
	HYDRAULICS - RHS27
	
	
MT Parts: 0407 059 610 1 Haehy Circuit, Roseworthy S.A. 5371 171 Dugan Street, Kalgoorlie W.A. 6430 parts@mtunderground.com www.mtunderground.com	
PAGE	3.2

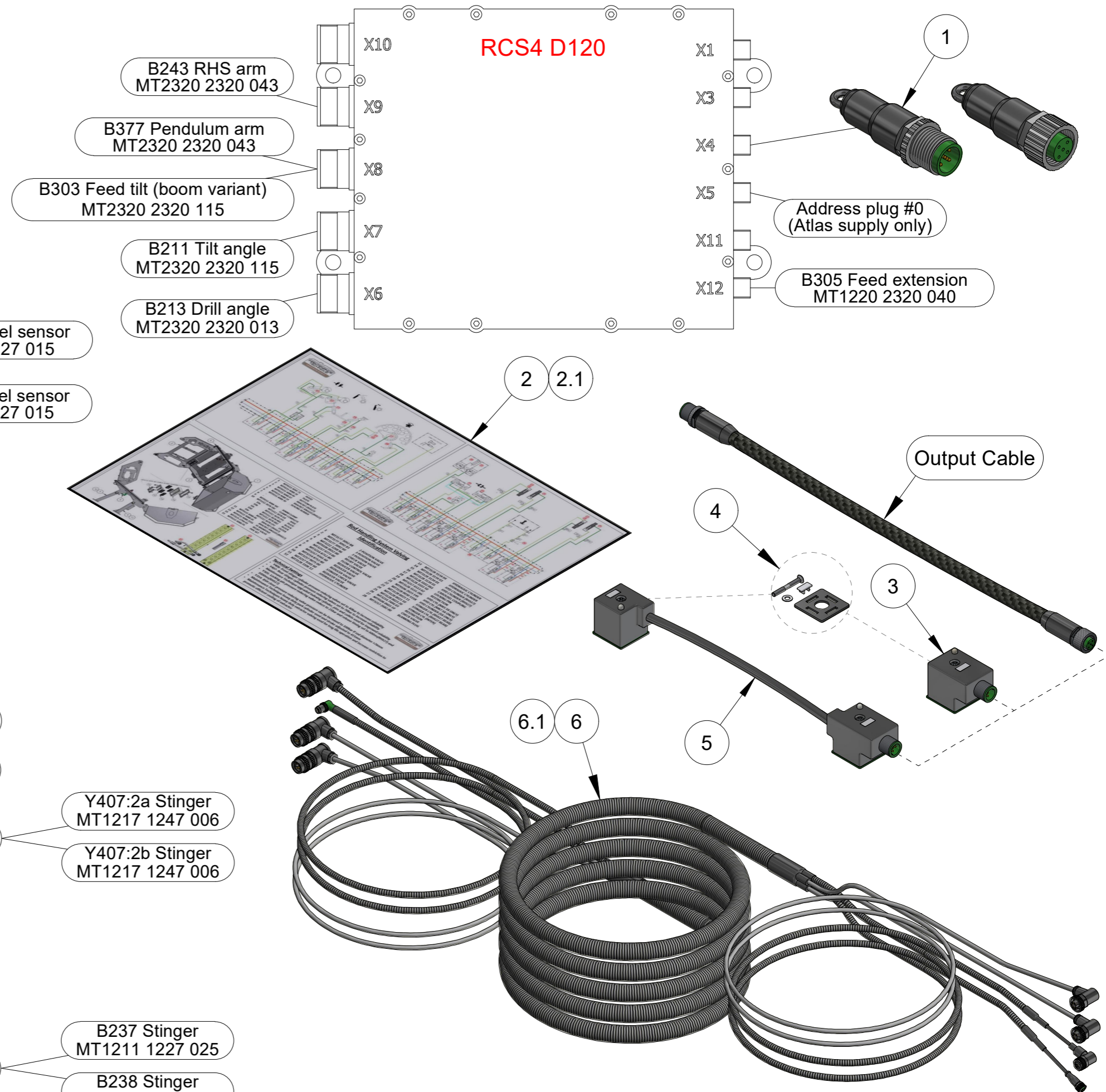


RHS27 Simba layout shown refer page 3.5 for variants



RHS27 Simba layout shown refer page 3.5 for variants

ITEM	PART NUMBER	DESCRIPTION	QTY	COMMENTS
1	MT1212 0000 ME	END OF LINE RESISTOR - MALE		
2	MT9111 4095 71LS	RHS BOX HOOD LABEL SHEET		D series
2.1	MT9111 4095 71ES	RHS BOX HOOD LABEL SHEET		E series
3	MT9106 1458 538	M12 SINGLE DIN PLUG ADAPTOR		
4	MT9106 1458 5DA	DIN PLUG ACCESSORY KIT		
5	MT9106 1458 156	M12 DOUBLE DIN ADAPTOR		
6	MT9106 2478 29	MAIN CAN CABLE		RCS4
6.1	MT9106 2483 70	MAIN CAN CABLE		RCS5
7	MT1013 04RC S4	LABELLING KIT D103 - D104		Not shown



PART NUMBER	DESCRIPTION
	RCS4/RCS5 I/O CONNECTIONS





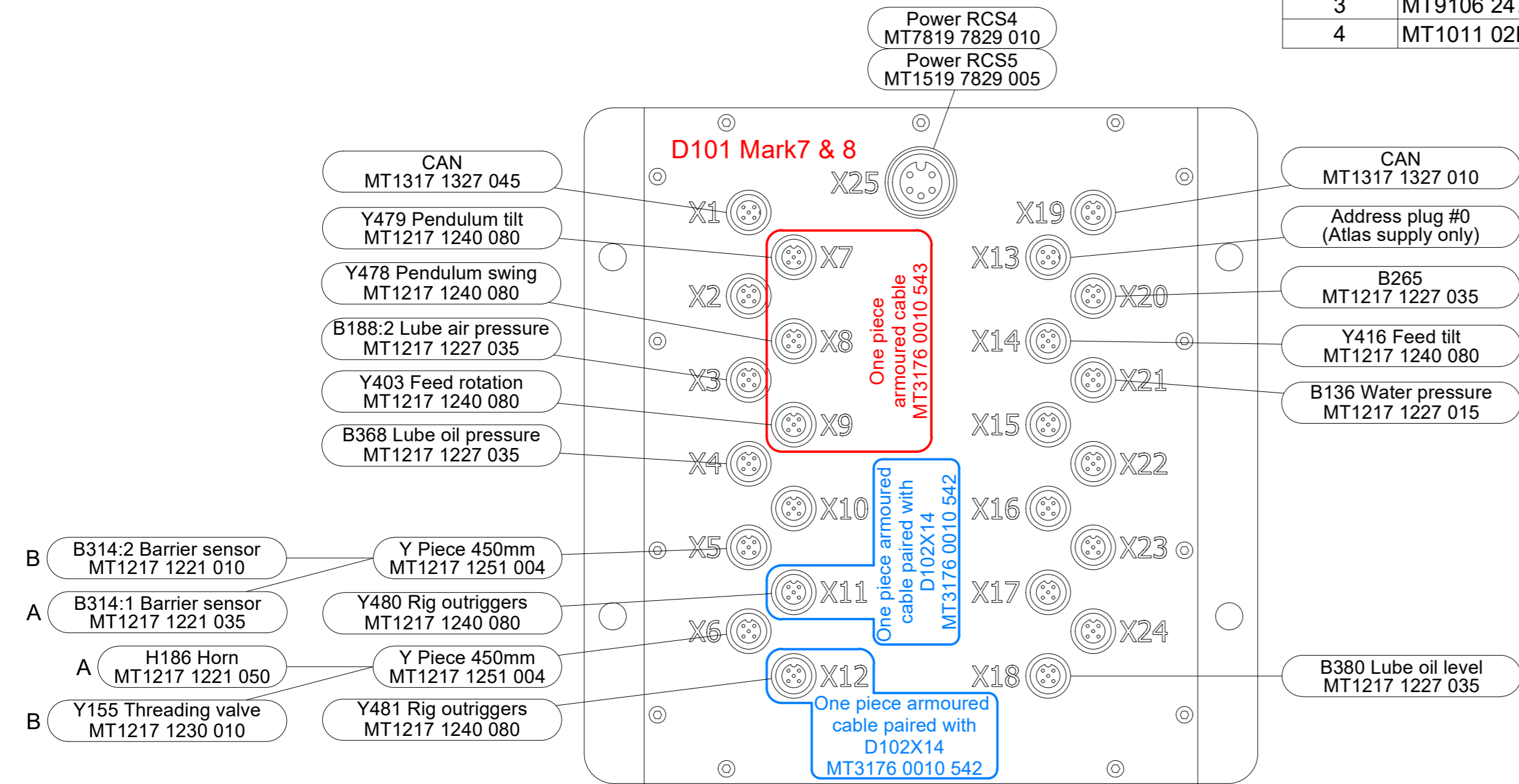
UNDERGROUND DRILL RELIABILITY

MT Parts: 0407 059 610
1 Haehy Circuit, Roseworthy S.A. 5371
171 Dugan Street, Kalgoorlie W.A. 6430

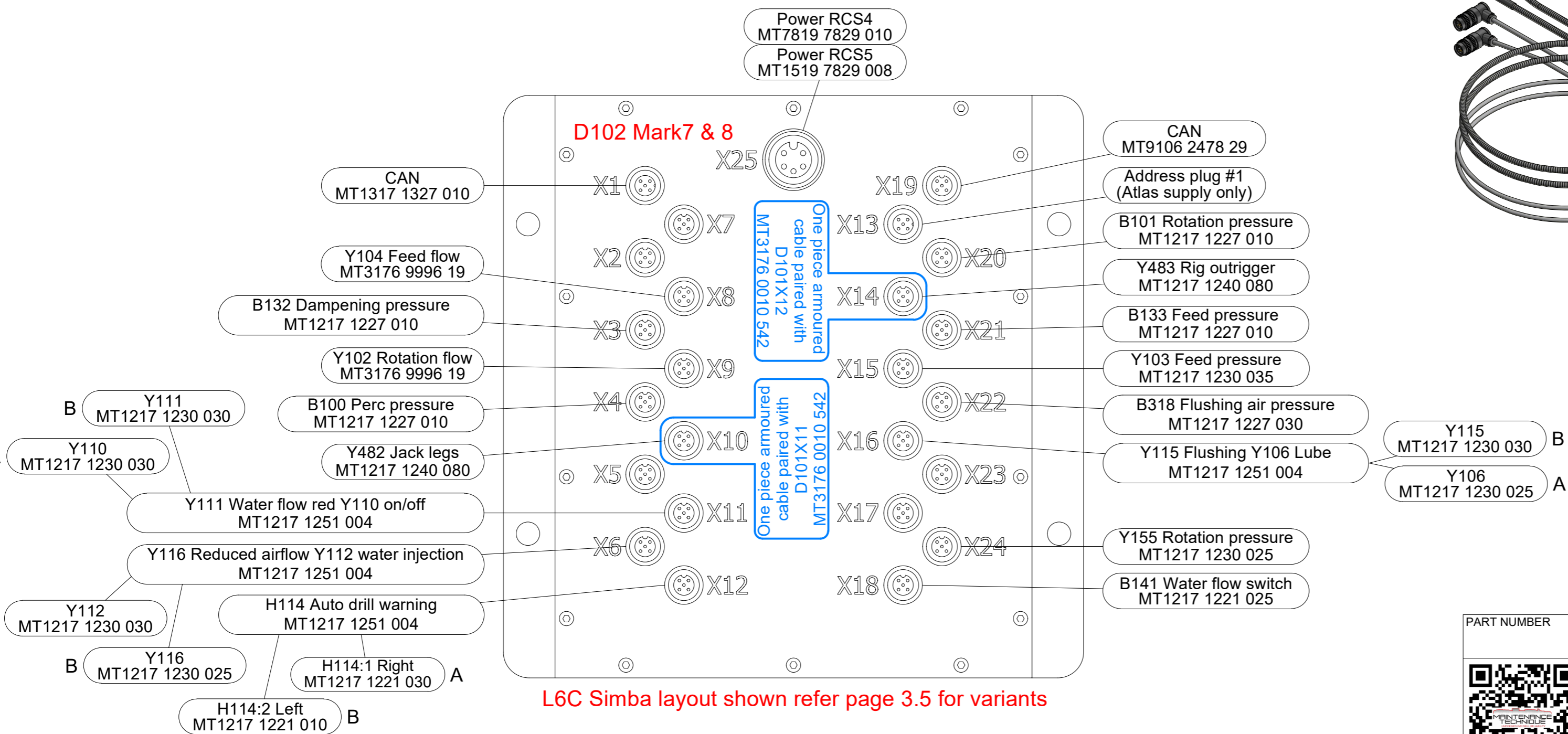
parts@mtunderground.com
www.mtunderground.com

PAGE 3.3

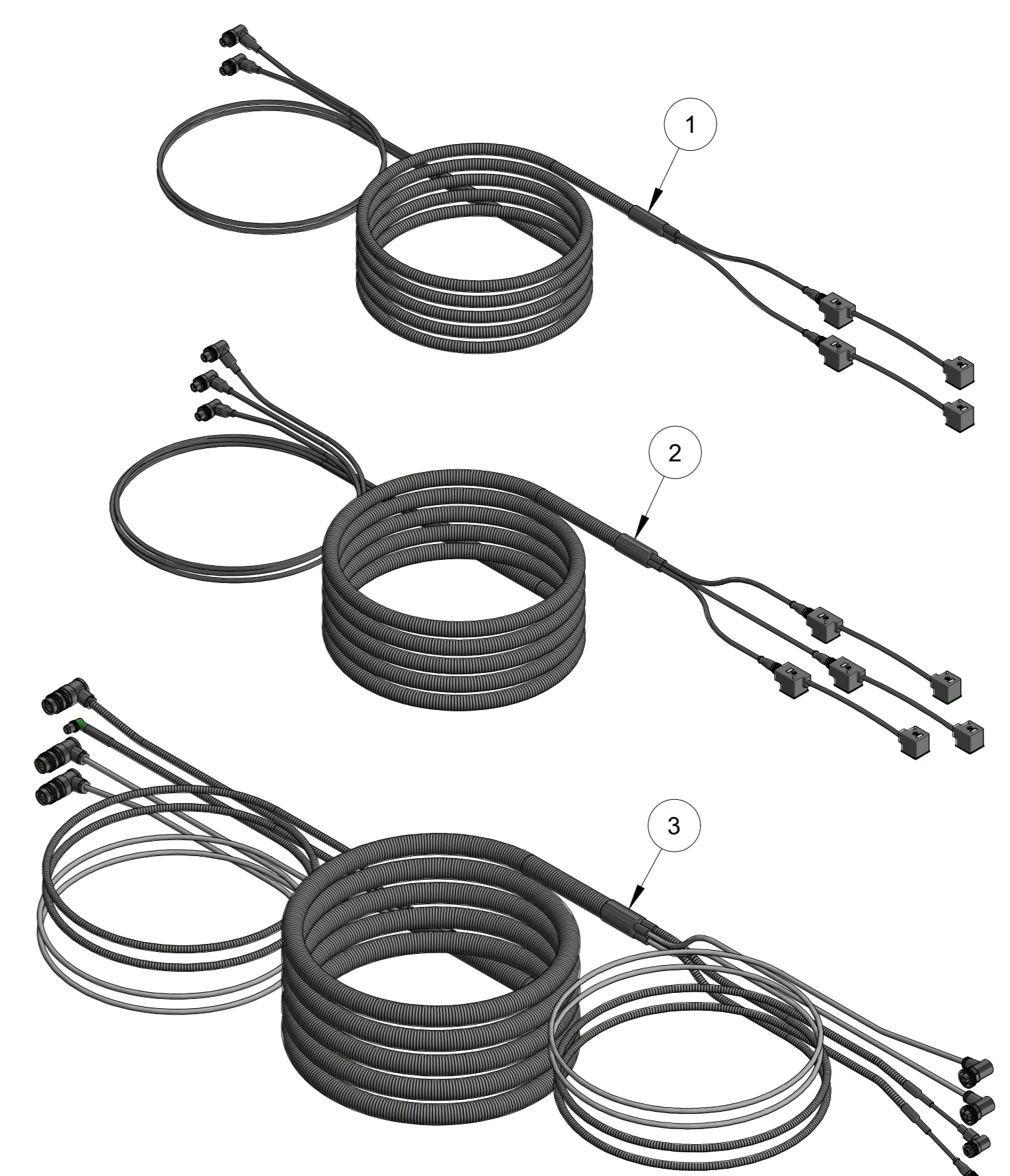
ITEM	PART NUMBER	DESCRIPTION	QTY	COMMENTS
1	MT3176 0010 542	DOUBLE OUTPUT HARNESS		
2	MT3176 0010 543	TRIPLE OUTPUT HARNESS		
3	MT9106 2478 29	MAIN CAN CABLE		
4	MT1011 02RC S4	LABELLING KIT D101 - D102		Not shown



L6C Simba layout shown refer page 3.5 for variants

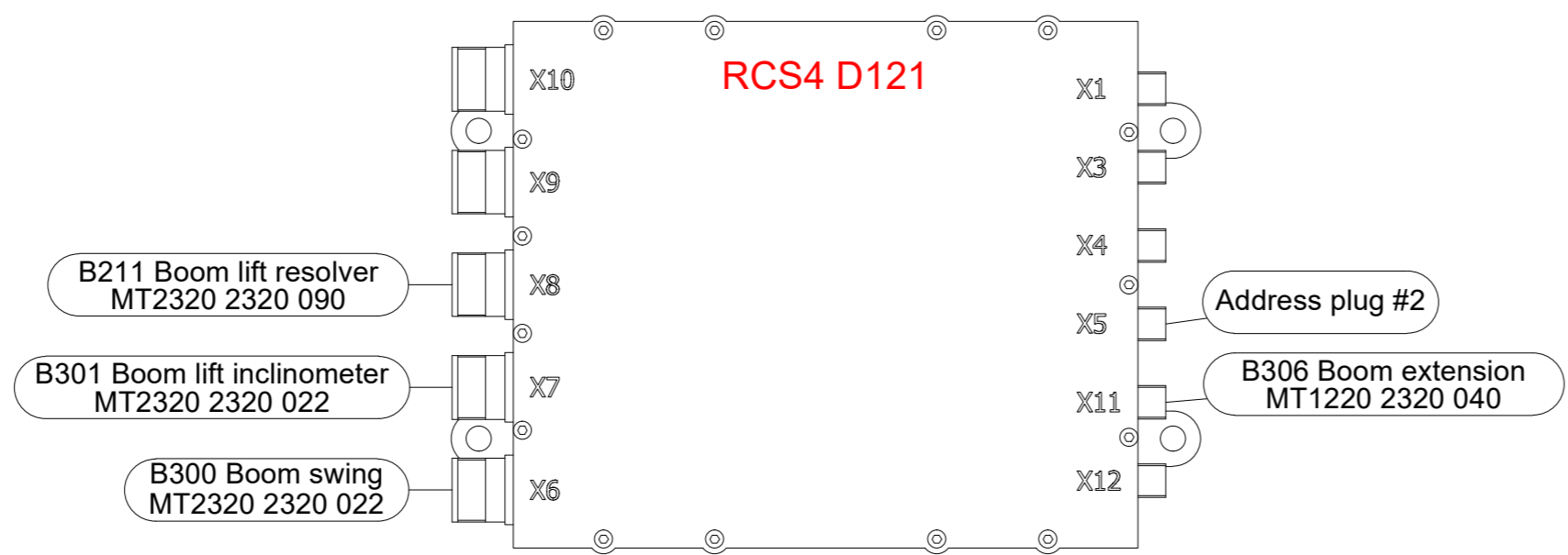
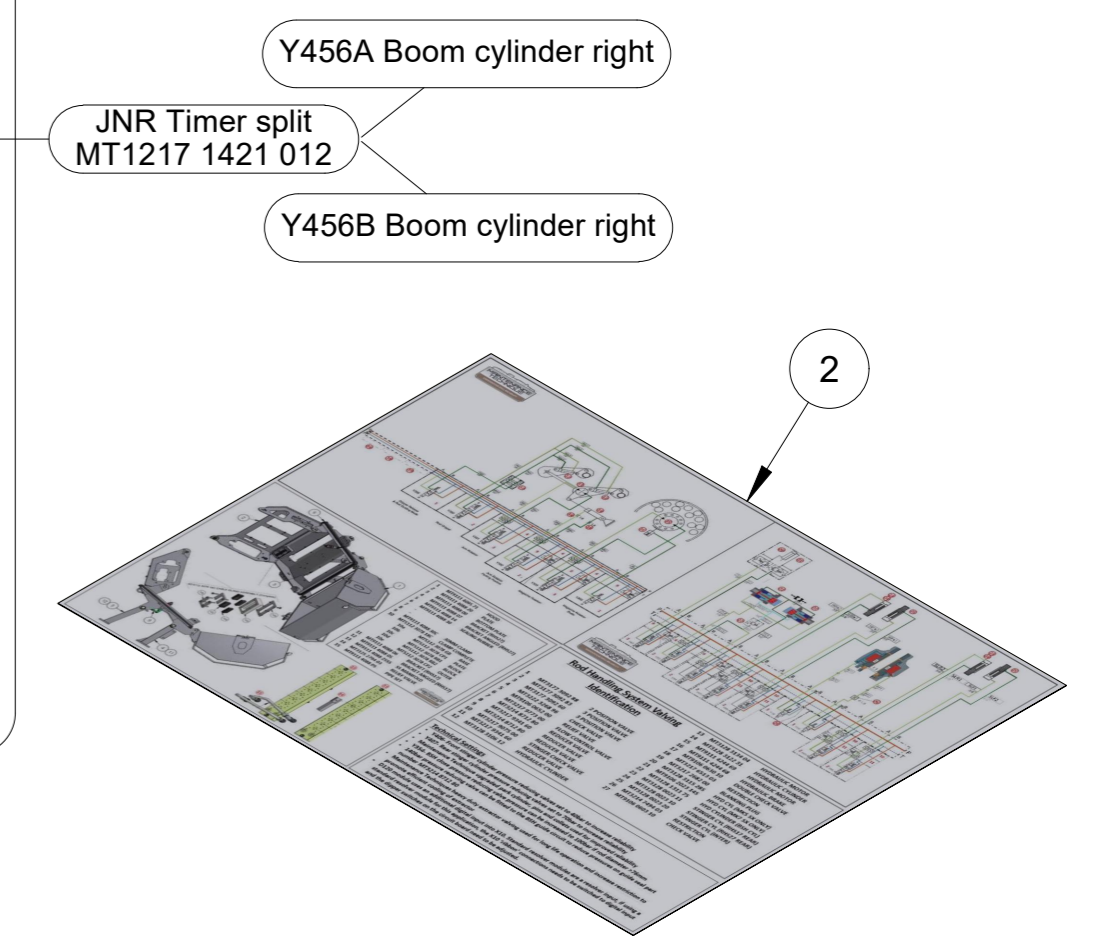
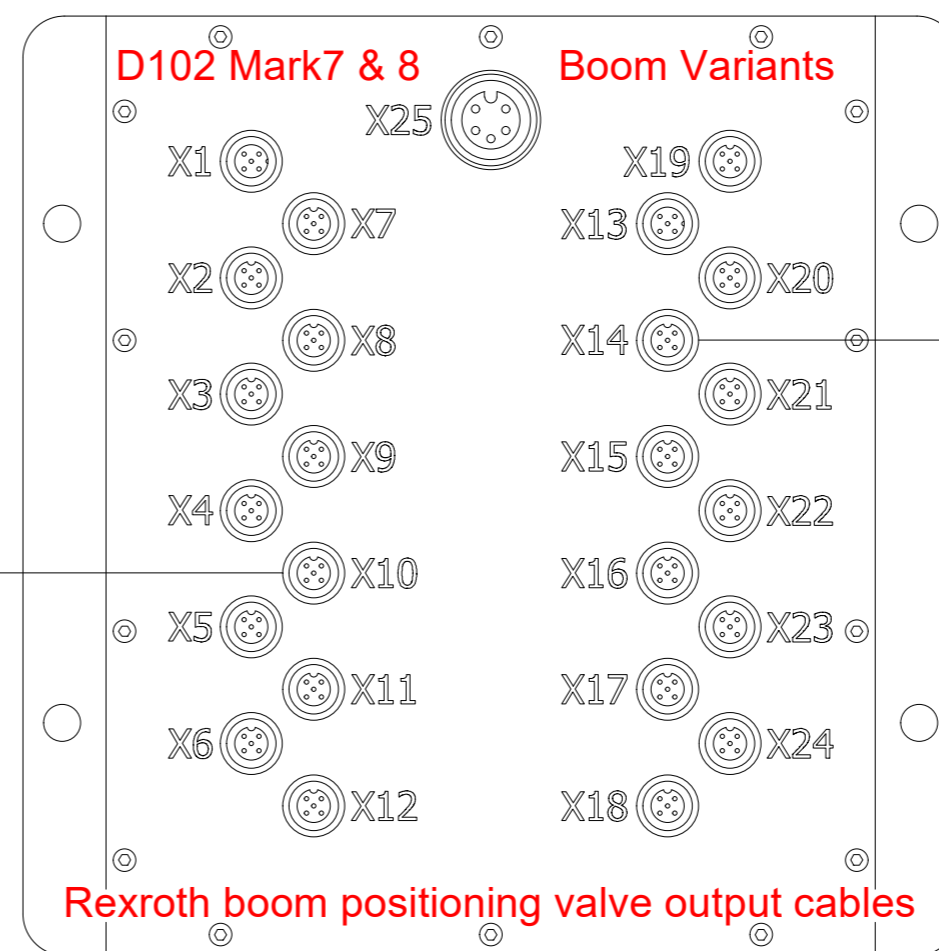
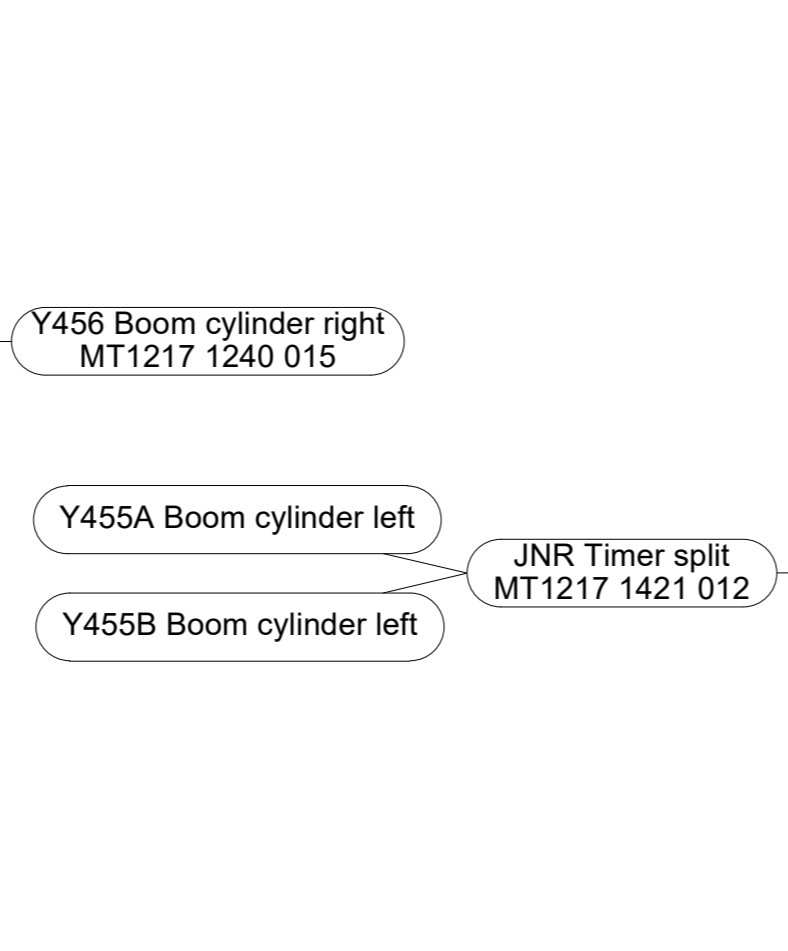
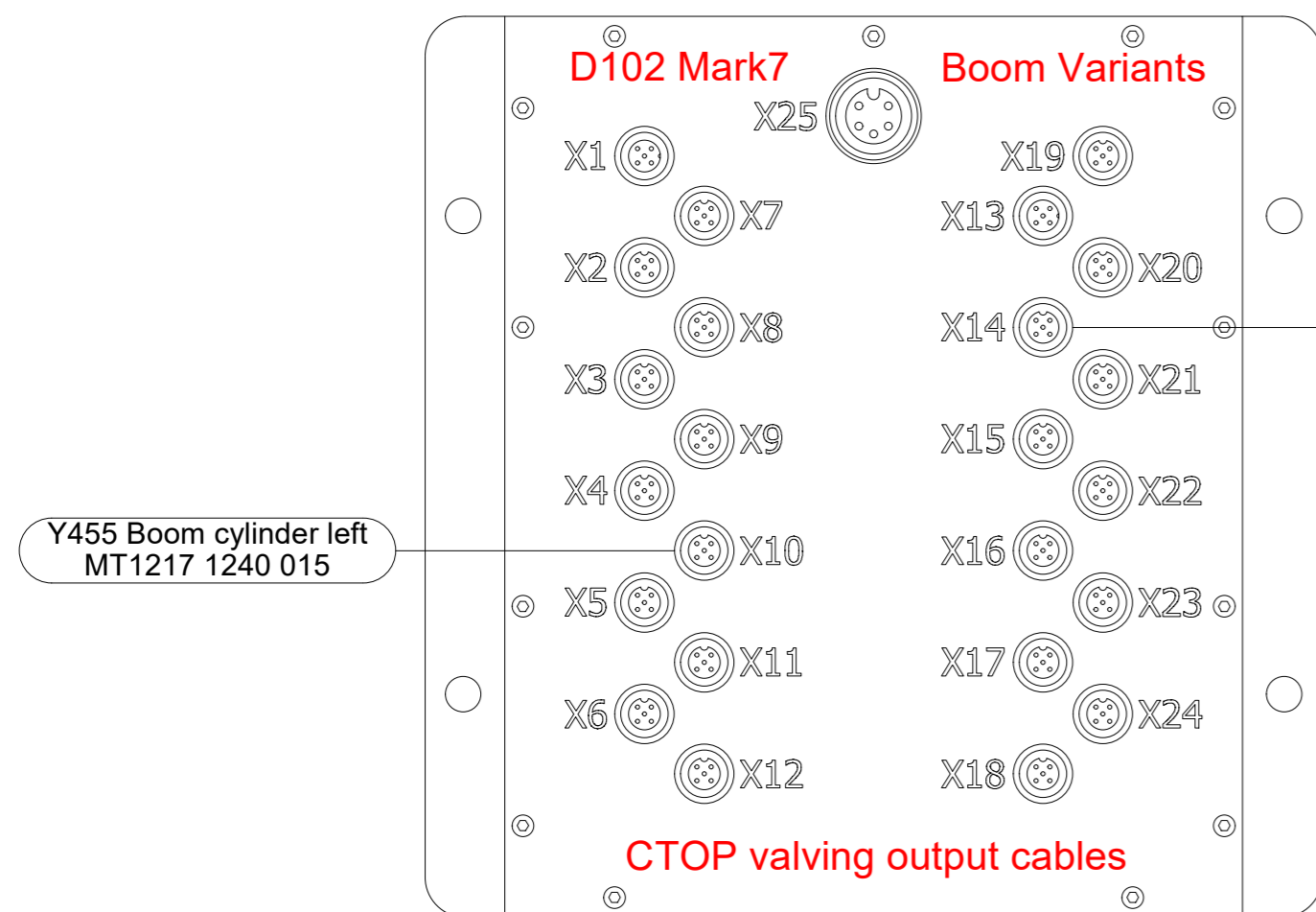
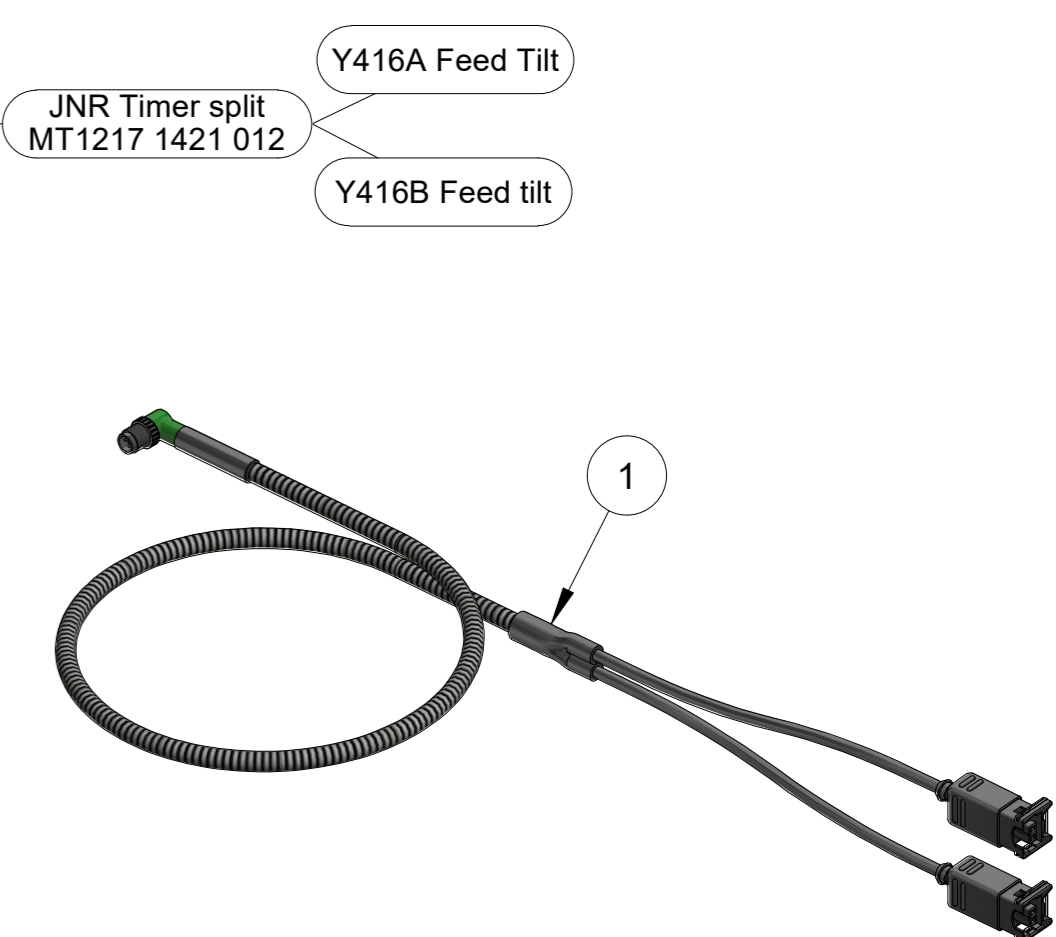
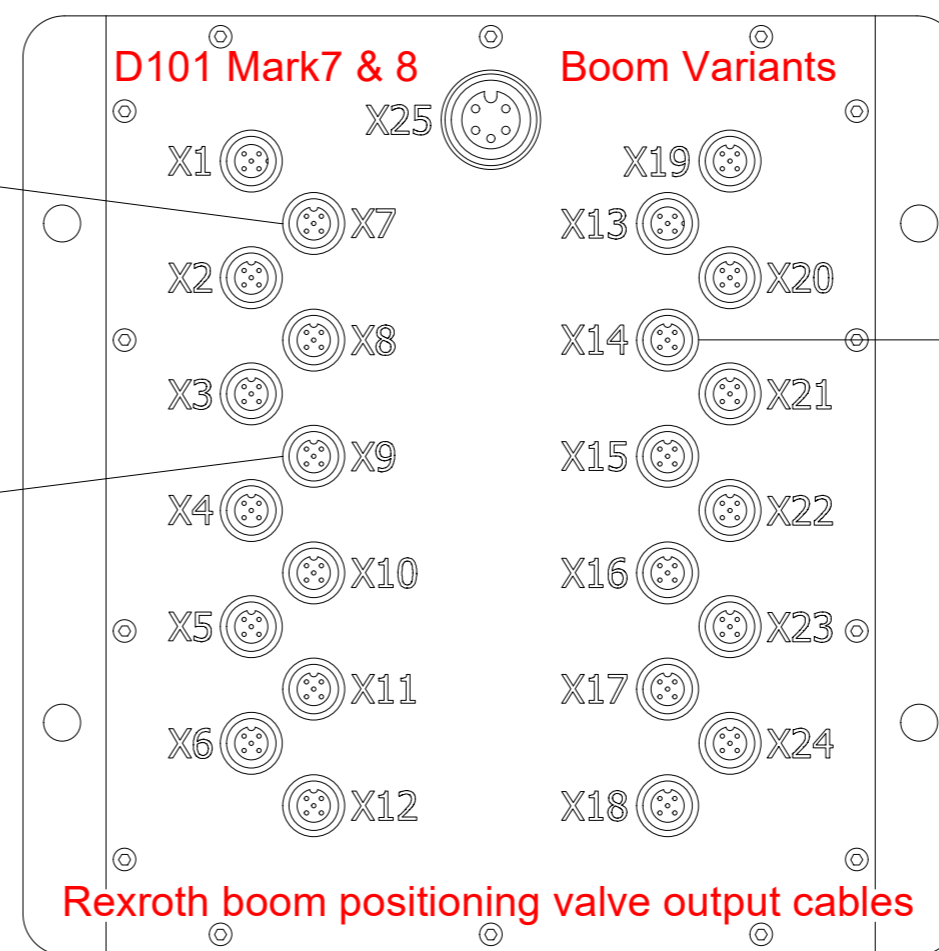
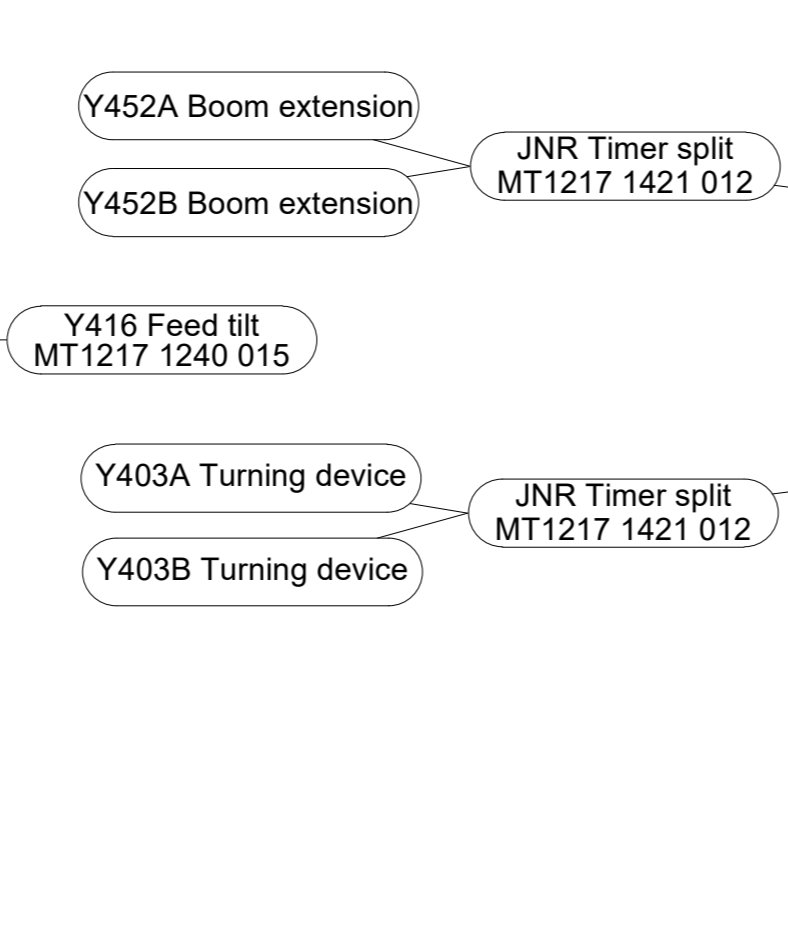
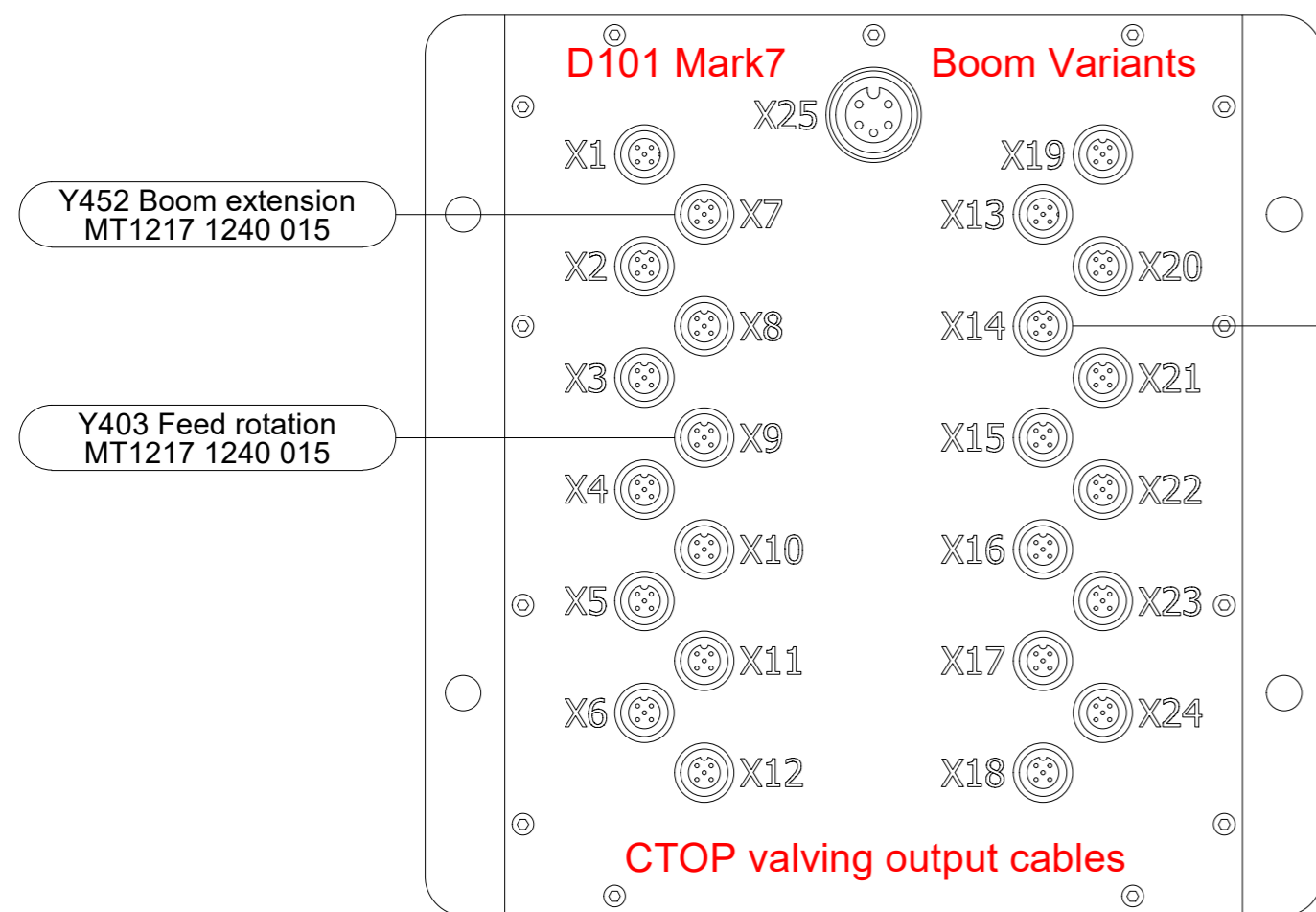


L6C Simba layout shown refer page 3.5 for variants




PART NUMBER	DESCRIPTION
	RCS4/RCS5 I/O CONNECTIONS
	
UNDERGROUND DRILL RELIABILITY	
	MT Parts: 0407 059 610 1 Haheey Circuit, Roseworthy S.A. 5371 171 Dugan Street, Kalgoorlie W.A. 6430 parts@mtunderground.com www.mtunderground.com
PAGE	3.4

ITEM	PART NUMBER	DESCRIPTION	QTY	COMMENTS
1	MT3176 9996 19	FEED ROTATION CABLE		
2	MT9111 4095 71ES	RHS BOX HOOD LABEL SHEET - E SERIES		



PART NUMBER	DESCRIPTION
	E7/M7 BOOM VARIATIONS RCS4/RCS5 I/O CONNECTIONS



**MAINTENANCE
TECHNIQUE**
UNDERGROUND DRILL RELIABILITY

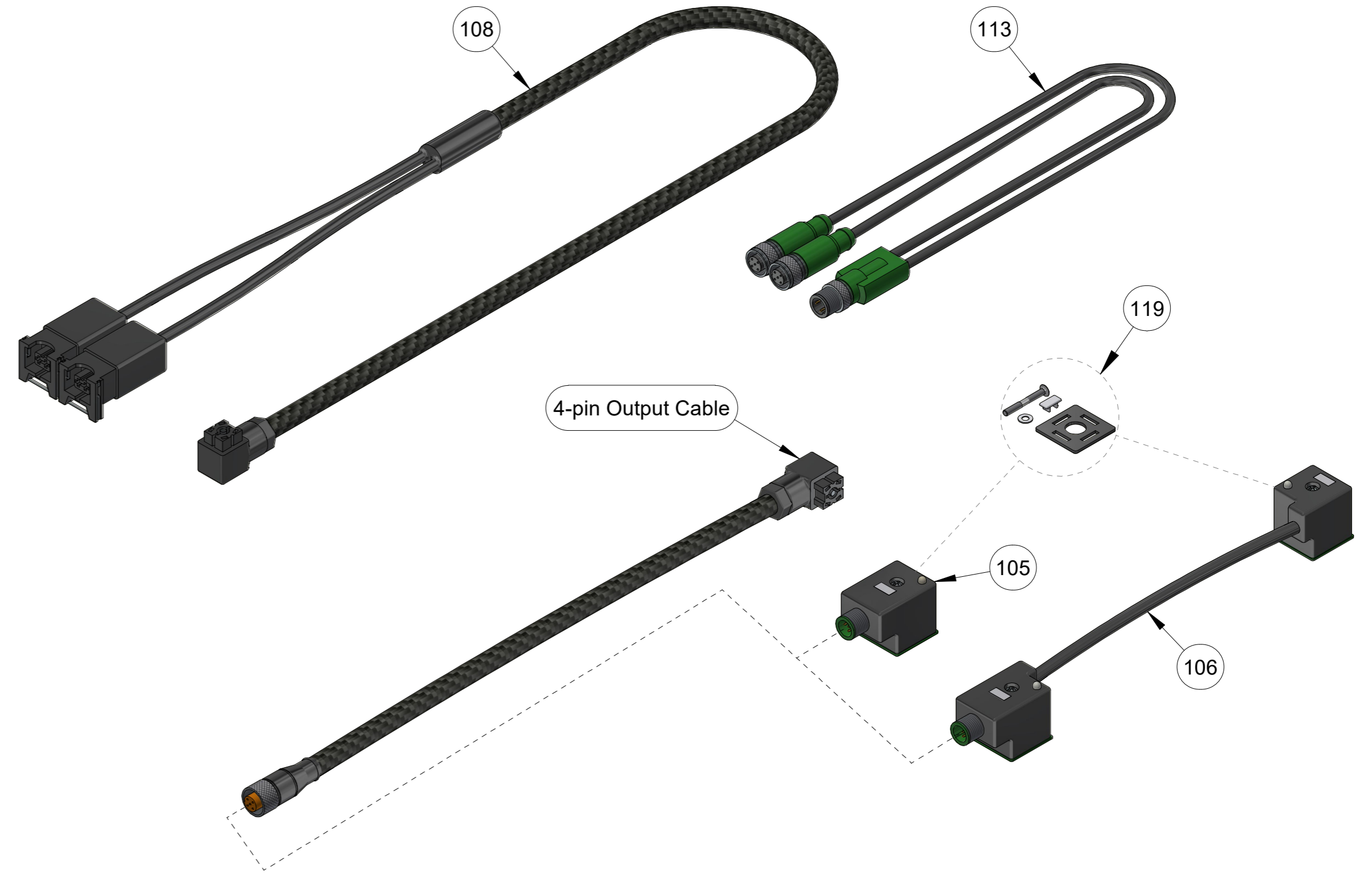
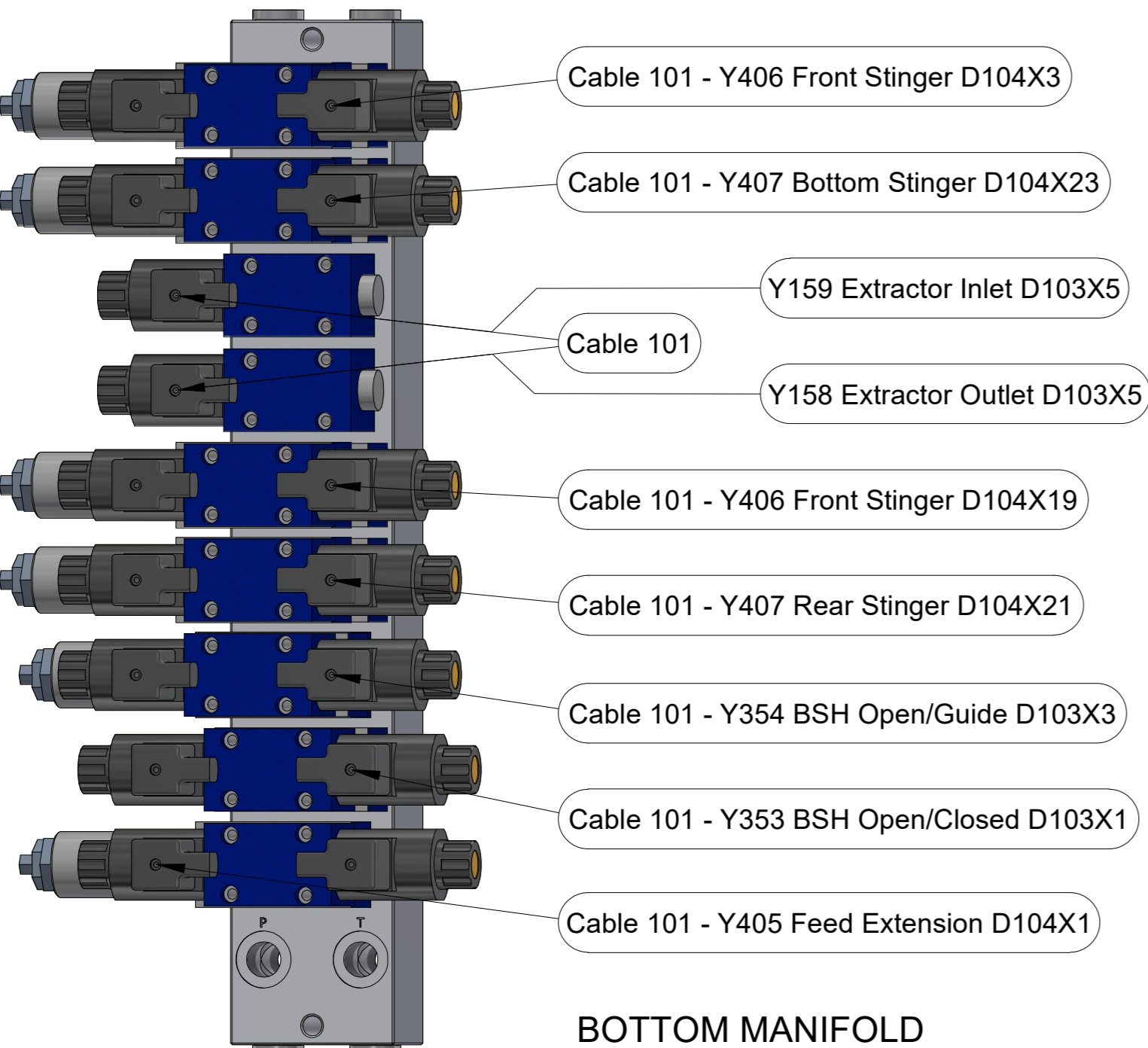
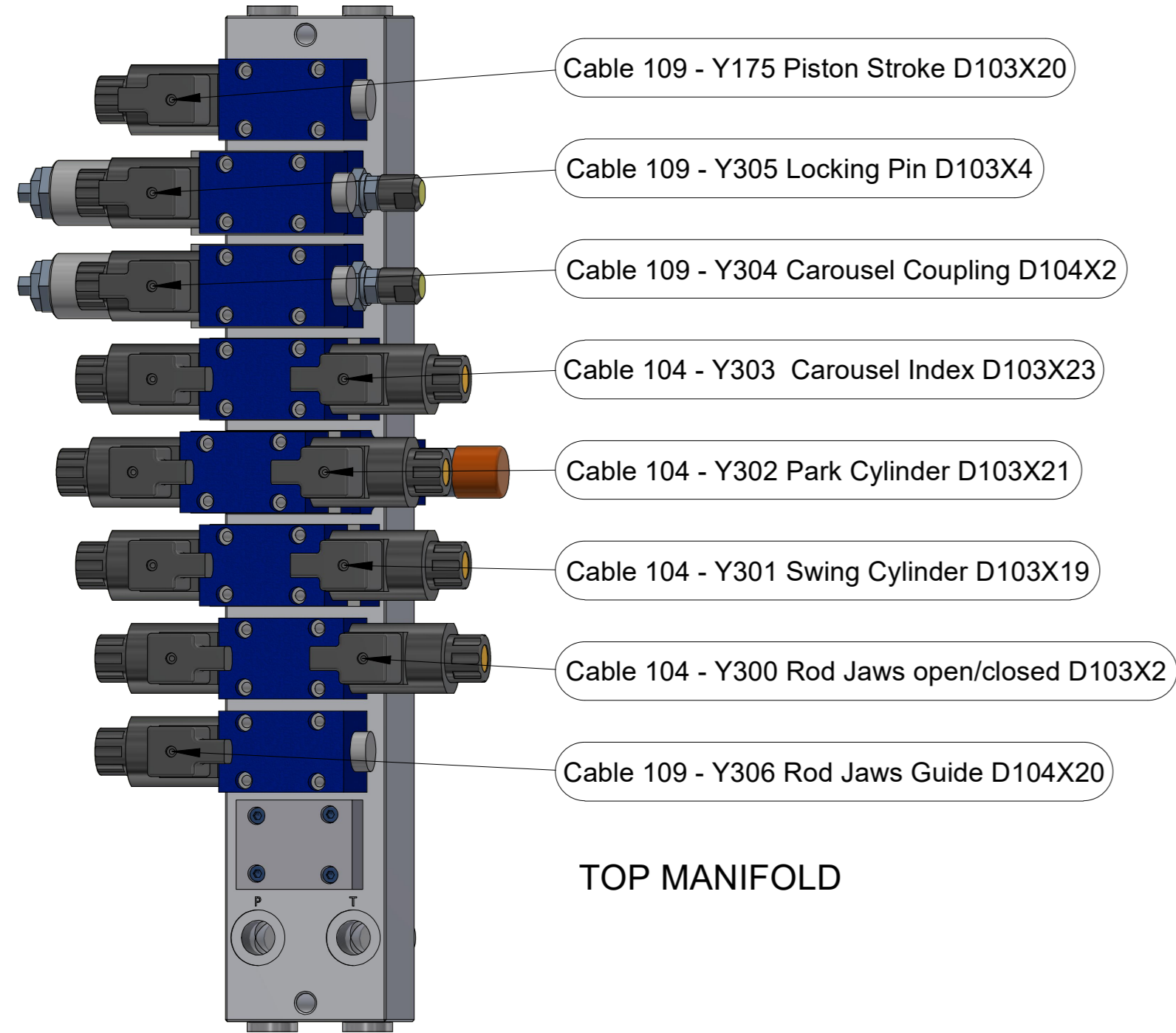
MT Parts: 0407 059 610
1 Haehy Circuit, Roseworthy S.A. 5371
171 Dugan Street, Kalgoorlie W.A. 6430

parts@mtunderground.com
www.mtunderground.com


PAGE
3.5


RCS3 outputs

ITEM	PART NUMBER	DESCRIPTION	QTY
101	MT9110 9984 42	1.3m output cable, DCV twin plug	
102	MT9106 1324 03	3m output cable, DCV twin split plug	
103	MT9106 1324 03Y	1.4m output cable DCV twin split (1m, 0.4m Y-piece)	
104	MT9106 1324 86	1m output cable DCV twin plug	
105	MT9106 1458 538	M12 single DIN plug adaptor	
106	MT9106 1458 156	M12 double DIN adaptor	
107	MT9106 1725 32	8m output cable, DCV twin plug	
108	MT9106 0956 06	output cable, feed and rotation	
109	MT9106 0957 04	0.8m output cable, DCV single plug	
110	MT9106 1324 64	1.3m output cable, DCV single plug	
111	MT9106 0957 02	5m output cable, DCV single plug	
112	MT9106 1677 39	1.2m pressure transducer cable	
113	MT3176 0009 85	M12 Y-piece	
114	MT9106 0957 048	0.8m output cable only	
115	MT9106 1324 861	1m output cable only	
116	MT9106 1324 643	1.3m output cable only	
117	MT9106 1324 033	3m output cable only	
118	MT9106 0957 025	5m output cable only	
119	MT9106 1458 5DA	DIN plug accessory kit	



PART NUMBER	DESCRIPTION
	ELECTRICAL COMPONENTS - RCS3





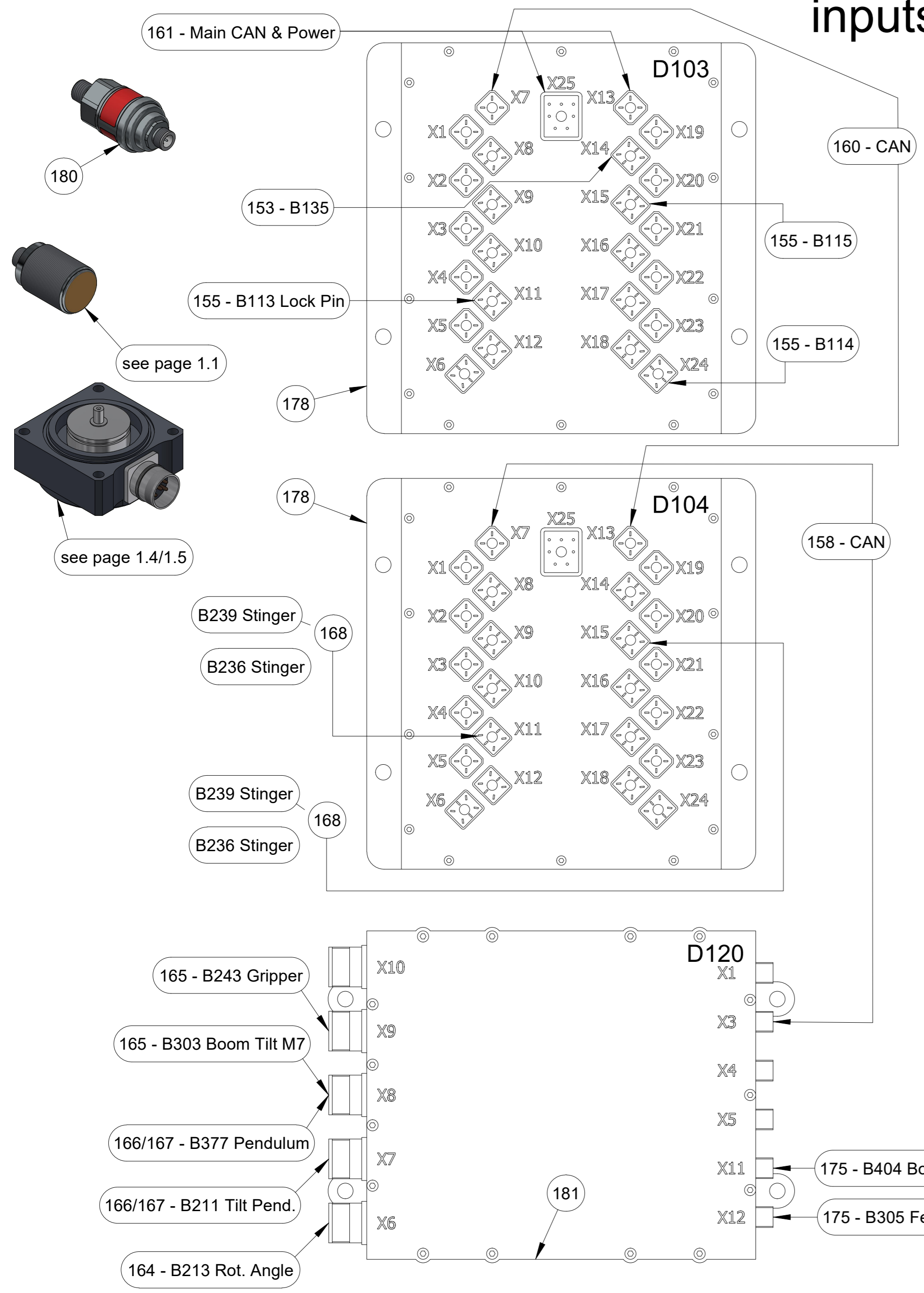
UNDERGROUND DRILL RELIABILITY

MT Parts: 0407 059 610
1 Haehy Circuit, Roseworthy S.A. 5371
171 Dugan Street, Kalgoorlie W.A. 6430

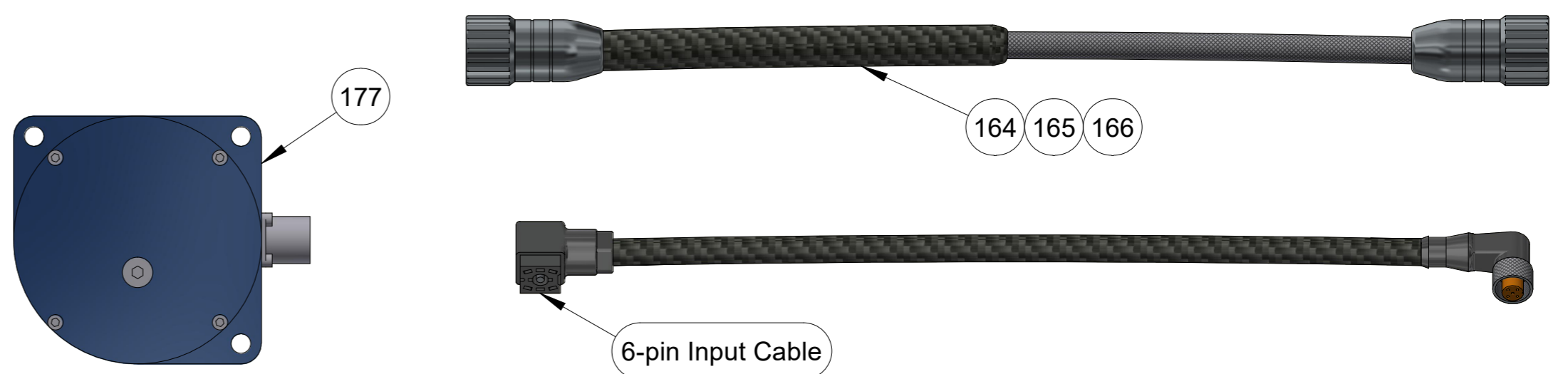
parts@mtunderground.com
www.mtunderground.com


PAGE 3.6

RCS3 inputs

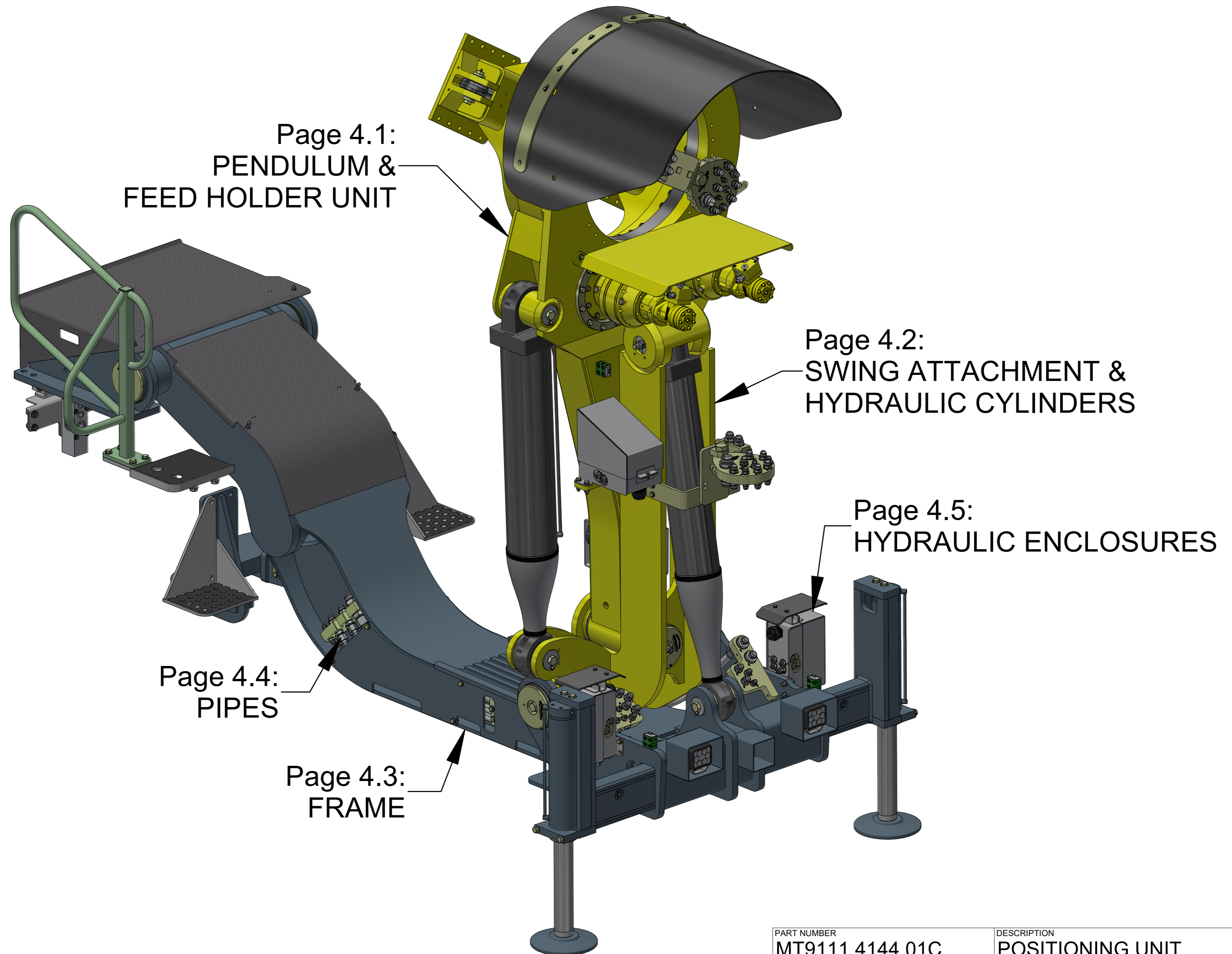


ITEM	PART NUMBER	DESCRIPTION	QTY
151	MT3176 0009 85	0.4m 5-pin M12 Y-piece, dual inputs/outputs	
152			
153	MT9106 1677 39	1.2m pressure transducer cable	
154	MT9106 1677 44	3.6m pressure transducer cable	
155	MT9106 1593 91	1.6m proxy - flow sensor cable	
156	MT9106 1548 59	3.6m proxy - flow sensor cable	
157	MT9106 1629 04	2m CAN-bus cable M12 female ends	
158	MT9106 1629 13	0.6m CAN-bus cable M12 female to I/O plug	
159	MT9106 1629 01	10m CAN-bus cable	
160	MT9106 1593 72	0.5m CAN cable I/O plugs	
161	MT9106 1622 79	17m CAN-bus & power, main cable boom	
162	MT9106 1629 08	1.6m power cable D100	
163	MT9106 1324 53	1.4m power cable I/O module	
164	MT9106 1725 69	1.3m ARI rotation armoured sensor cable	
165	MT9106 1426 64	4.3m gripper arm armoured sensor cable	
166	MT9106 1593 32	11m ARI resolver armoured sensor cable, for L6	
167	MT9106 1593 322	11m ARI resolver armoured sensor cable, (PMA covered as a pair for L6)	
168	MT9106 1548 052	5m stinger input cable - pair	
169			
170			
171	MT3217 9882 16	2m free end to moulded M12 5-pin plug	
172	MT9106 1475 07	5m free end to moulded M12 5-pin plug	
173	MT3217 9882 18	5m free end to moulded M12 5-pin plug	
174	MT3217 9882 05	5m free end to DIN plug - moulded with LED	
175	MT9106 1725 34	wire length sensor cable	
176			
177	MT9106 2192 04	INCLINOMETER	
178	9106 1933 50	I/O-MODULE RCS3 - OEM only	
179	9106 1856 06	PRESSURE TRANSDUCER RCS3 (50bar) - OEM only	
180	9106 1856 07	PRESSURE TRANSDUCER RCS3 (350bar) - OEM only	
181	9106 1933 90	RESOLVER MODULE RCS3 - OEM only	

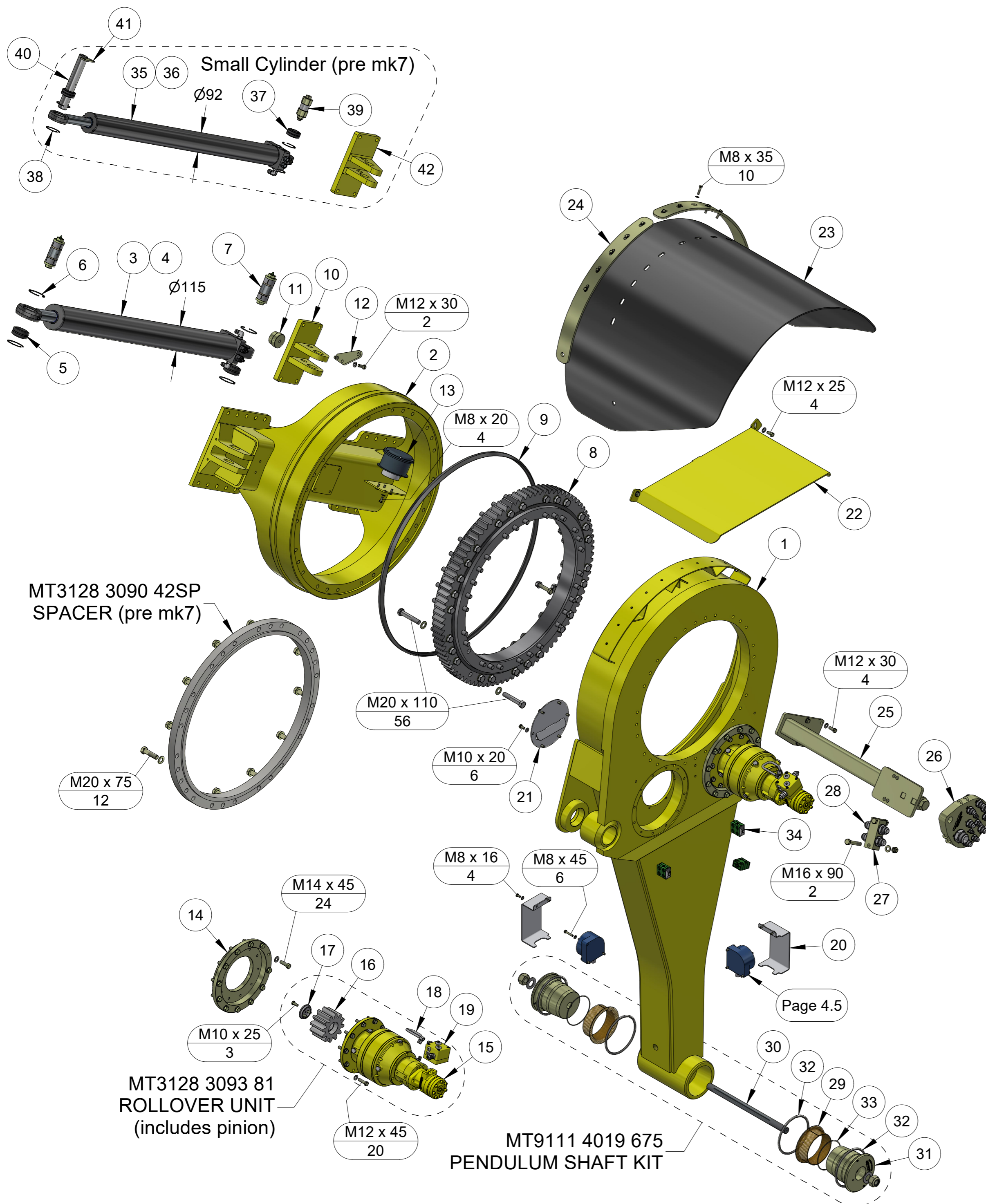


PART NUMBER	DESCRIPTION
	INPUT CABLES - RCS3
	MAINTENANCE TECHNIQUE UNDERGROUND DRILL RELIABILITY
MT Parts: 0407 059 610 1 Haehy Circuit, Roseworthy S.A. 5371 171 Dugan Street, Kalgoorlie W.A. 6430 parts@mtunderground.com www.mtunderground.com	
PAGE	3.7


SECTION 4: POSITIONING UNIT



PART NUMBER	DESCRIPTION
MT9111 4144 01C	POSITIONING UNIT
	MAINTENANCE TECHNIQUE UNDERGROUND DRILL RELIABILITY
	MT Parts: 0407 059 610 1 Hahey Circuit, Roseworthy S.A. 5371 171 Dugan Street, Kalgoorlie W.A. 6430 parts@mtunderground.com www.mtunderground.com



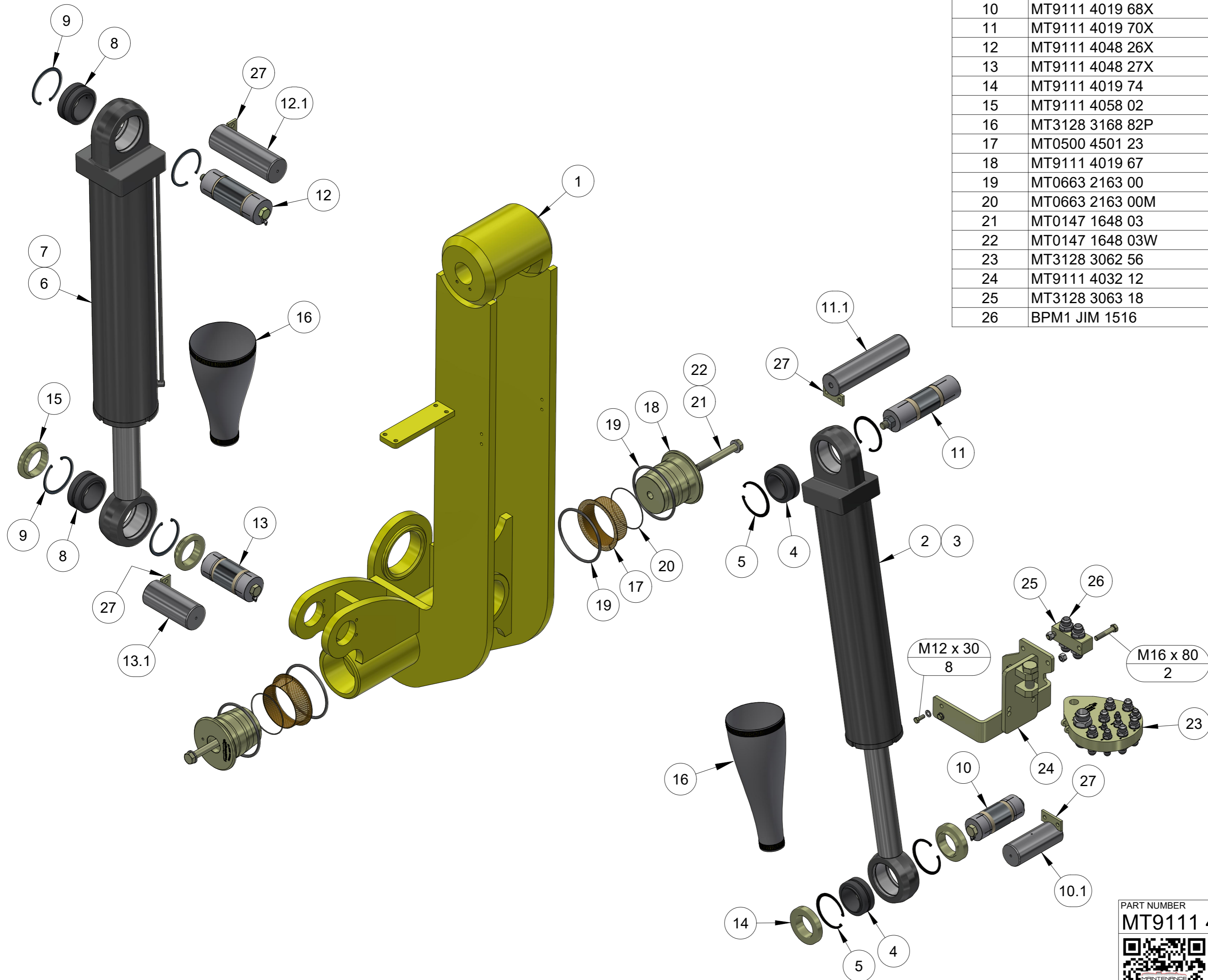
ITEM	PART NUMBER	DESCRIPTION	QTY	COMMENTS
1	MT9106 2021 70S	PENDULUM	1	Service ex.
2	MT9106 2021 63S	FEED HOLDER	1	Service ex.
3	MT9106 2023 14S	HYDRAULIC CYLINDER	1	Service ex.
4	MT9120 0993 11	SEAL KIT	1	
5	MT0501 0000 08	SPHERICAL BEARING	2	
6	MT0335 2158 00	CIRCLIP	4	
7	MT9106 2023 13	EXPANDING SHAFT	2	
8	MT3128 3090 42	SLEWING RING	1	
9	MT3128 0016 71	V-RING	1	
10	MT3128 0032 28	CYLINDER BRACKET	1	
11	MT3115 0711 00	DRIVER	1	
12	MT9111 4115 37	FEED DUMP CABLE PLATE	1	
13	MT9106 2192 16S	LINEAR SENSOR	1	Service ex.
14	MT3128 3087 17	ECCENTER	2	
15	MT3128 3093 78	MOTOR	2	
16	MT3128 3098 79	PINION	2	
17	MT3128 3093 80	PINION RETAINER	1	Includes bolts
18	MT3128 3093 76P	ROLL OVER PIPE	2	
19	MT3128 3095 11	VALVE BLOCK	2	
20	MT9106 2192 04P	INCLINOMETER COVER	2	
21	MT9111 4017 70	COVER	1	
22	MT9111 4062 29	PROTECTION	1	
23	MT9106 2021 PM	PROTECTION ARCH	1	
24	MT9106 2021 AM	ARCH MOUNT	2	
25	MT3128 3146 451	ATTACHMENT	1	
26	MT3128 3062 56	BULKHEAD	1	
27	MT3128 3063 18	PERCUSSION BULKHEAD	1	
28	MTBPM1 JIM1516	BSPP x JIC Nipple	4	
29	MT0500 4501 23	PLAIN BEARING	2	
30	MT9111 4115 30M	TENSIONING UNIT	1	
31	MT9111 4019 67M	SHAFT	2	
32	MT0663 2163 00	O-Ring	4	
33	MT0663 2163 00M	O-Ring	2	
34	MT9106 2021 S64	CLAMP SET	3	
35	MT3128 3115 28S	HYDRAULIC CYLINDER	1	Service ex.
36	MT9120 0993 09	SEAL KIT	1	
37	MT9125 9552 00	SPHERICAL BEARING	2	
38	MT0335 2204 00	CIRCLIP	4	
39	MT3128 3115 75	EXPANSION SHAFT	1	
40	MT3128 3115 88	SHAFT	1	
41	MT9110 4756 00	SHAFT LOCK	1	
42	MT3128 3113 49	CYLINDER BRACKET	1	

PART NUMBER	DESCRIPTION
MT9106 2021 70C	PENDULUM & FEED HOLDER
	
MT Parts: 0407 059 610 1 Haesey Circuit, Roseworthy S.A. 5371 171 Dugan Street, Kalgoorlie W.A. 6430 parts@mtunderground.com <small>PAGE</small> www.mtunderground.com	
4.1	

STRAIGHT SHAFTS (alternative)

ITEM	PART NUMBER	DESCRIPTION	QTY	COMMENTS
10.1	MT9111 4019 68	SHAFT	1	
11.1	MT9111 4019 70	SHAFT	1	
12.1	MT9111 4048 26	SHAFT	1	
13.1	MT9111 4048 27	SHAFT	1	
27	MT9110 4758 00	SHAFT LOCK	1	

ITEM	PART NUMBER	DESCRIPTION	QTY	COMMENTS
1	MT9111 4144 04	SWING ATTACHMENT	1	Service ex.
2	MT9111 4019 61S	HYDRAULIC CYLINDER	1	Service ex.
3	MT9120 0993 17	SEAL KIT	1	
4	MT0501 0021 00	SPHERICAL BEARING	2	
5	MT0335 2176 00	CIRCLIP	4	
6	MT9111 4041 98S	HYDRAULIC CYLINDER	1	Service ex.
7	MT9120 0993 19	SEAL KIT	1	
8	MT9111 4041 96	SPHERICAL BEARING	2	
9	MT0335 2178 00	CIRCLIP	4	
10	MT9111 4019 68X	EXP. SHAFT LOWER TILT	1	
11	MT9111 4019 70X	EXP. SHAFT UPPER TILT	1	
12	MT9111 4048 26X	EXP. SHAFT UPPER PEND.	1	
13	MT9111 4048 27X	EXP. SHAFT LOWER PEND.	1	
14	MT9111 4019 74	SPACER	2	
15	MT9111 4058 02	SPACER	2	
16	MT3128 3168 82P	CYLINDER COVER	2	780mm long
17	MT0500 4501 23	PLAIN BEARING	2	
18	MT9111 4019 67	SHAFT	2	
19	MT0663 2163 00	O-RING	4	
20	MT0663 2163 00M	O-RING	2	
21	MT0147 1648 03	BOLT	2	
22	MT0147 1648 03W	WASHER	2	
23	MT3128 3062 56	BULKHEAD	1	
24	MT9111 4032 12	ATTACHMENT	1	
25	MT3128 3063 18	PERCUSSION BULKHEAD	1	
26	BPM1 JIM 1516	BSPP x JIC NIPPLE	4	



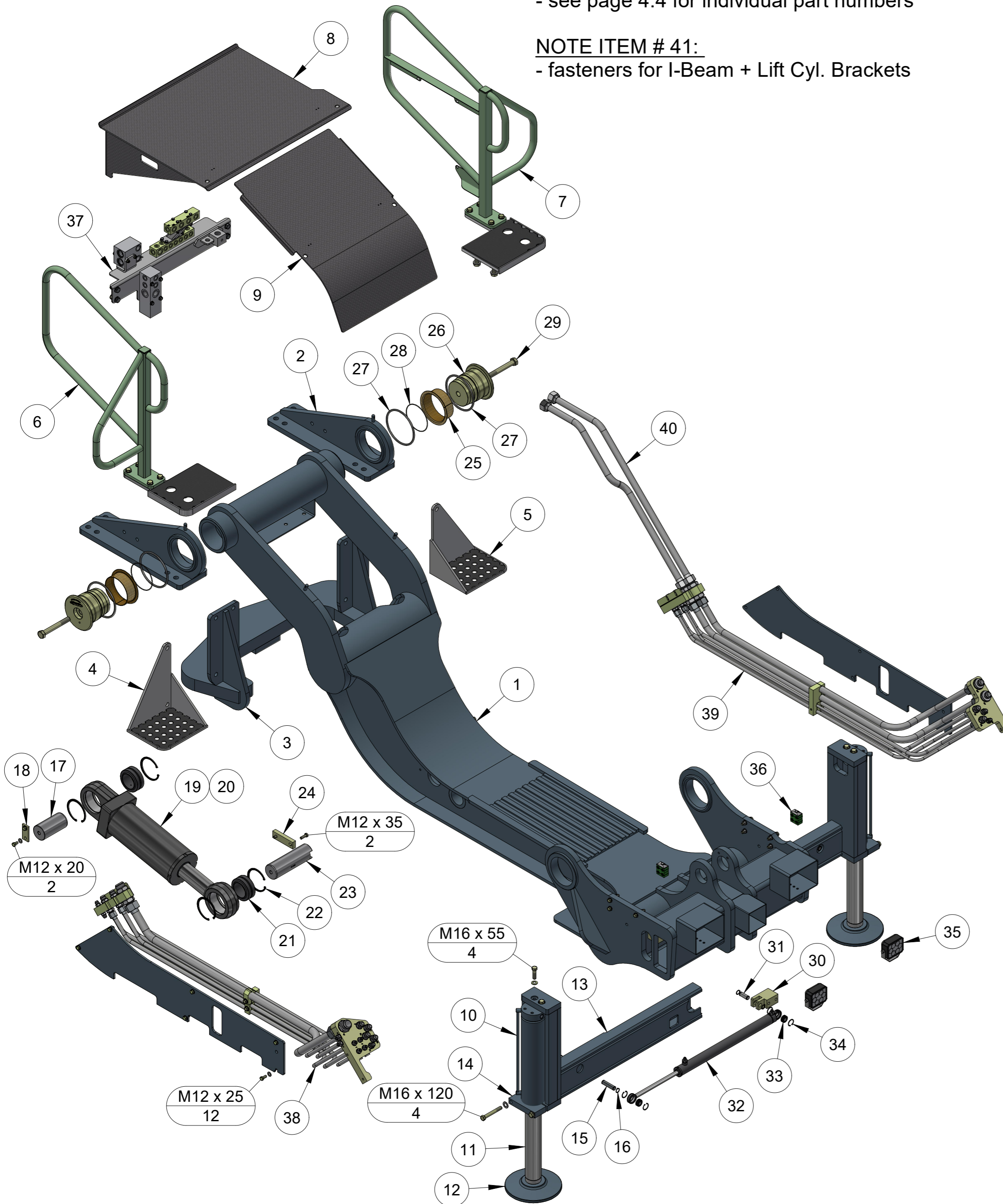
PART NUMBER MT9111 4144 04C	DESCRIPTION SWING ATTACHMENT & CYLINDERS
	<p>MT Parts: 0407 059 610 1 Haehy Circuit, Roseworthy S.A. 5371 171 Dugan Street, Kalgoorlie W.A. 6430</p> <p>parts@mtunderground.com www.mtunderground.com</p>
 <p>UNDERGROUND DRILL RELIABILITY</p>	
PAGE 4.2	

NOTES ITEM # 38 - 40:

- incl. all Pipes, Clamps, Fittings + Manifolds
- see page 4.4 for individual part numbers

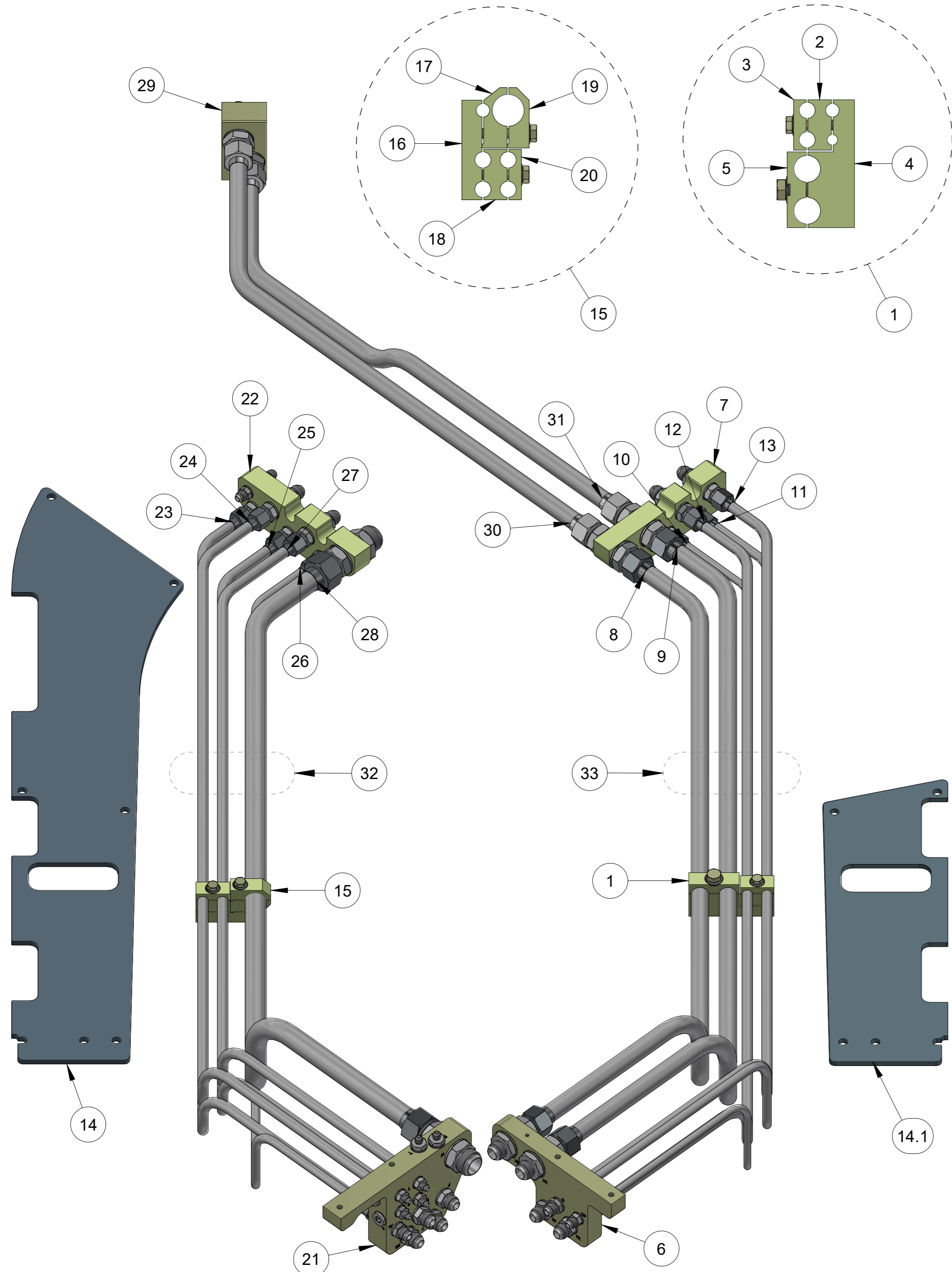
NOTE ITEM # 41:

- fasteners for I-Beam + Lift Cyl. Brackets

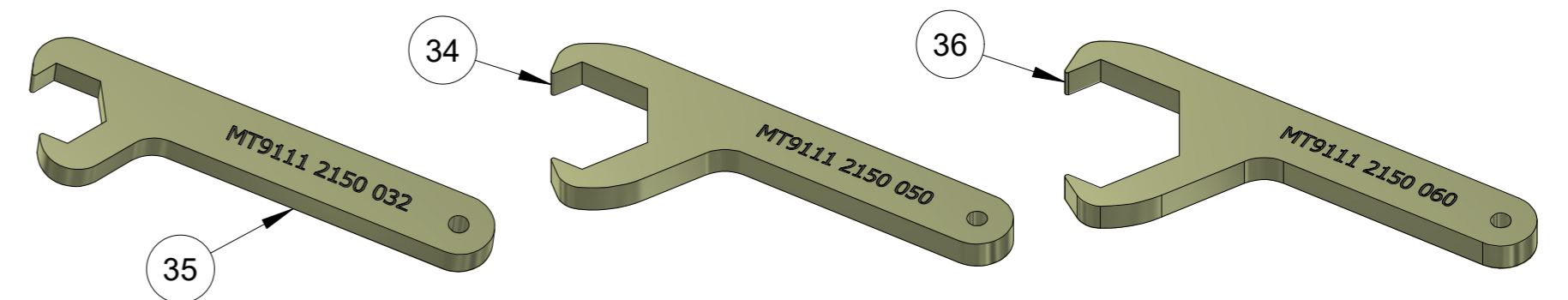




ITEM	PART NUMBER	DESCRIPTION	QTY	COMMENTS
1	MT9111 4144 01	FRAME COMPLETE	1	Service ex.
2	MT9111 4019 38	BEARING BRACKET	2	Service ex.
3	MT9111 4144 CB	CYLINDER BRACKET	1	Service ex.
4	MT5112 3130 00R	SS FRONT ACCESS STEP RH	1	
5	MT5112 3130 00L	SS FRONT ACCESS STEP LH	1	
6	MT5112 3130 FSRR	FRONT STEP & RAIL RH	1	
7	MT5112 3130 FSRL	FRONT STEP & RAIL LH	1	
8	MT3128 0017 59	COVER PLATE	1	
9	MT3128 0017 62	COVER PLATE	1	
10	MT3128 3060 28S	HYDRAULIC CYLINDER	2	Service ex.
11	MT9126 2010 03	PISTON ROD	1	
12	MT9106 1702 35	JACK FOOT FRONT	1	
13	MT9111 4019 83	JACK TUBE	2	Service ex.
14	MT5112 2710 00	ATTACHMENT PLATE	2	
15	MT9111 4019 84	SHAFT	2	
16	MT0335 1120 00	CIRCLIP	4	
17	MT9111 4019 71	SHAFT	1	
18	MT9110 4758 00	LOCK SHEET	5	
19	MT9111 4019 60S	HYDRAULIC CYLINDER	1	Service ex.
20	MT9120 0993 17	SEAL KIT	1	
21	MT0501 0021 00	SPHERICAL BEARING	2	
22	MT0335 2176 00	CIRCLIP	4	
23	MT9111 4095 17	SHAFT	1	
24	MT9111 4009 61	SHAFT LOCK	1	
25	MT0500 4501 23	PLAIN BEARING	2	
26	MT9111 4019 67	SHAFT	2	
27	MT0663 2163 00	O-RING	4	
28	MT0663 2163 00M	O-RING	2	
29	MT0147 1648 03	BOLT & WASHER	2	
30	MT9111 4020 44L	CYLINDER LUG	2	
31	MT9111 4019 73	SHAFT	2	
32	MT9111 4020 44	HYDRAULIC CYLINDER	2	Service ex.
33	MT0501 0012 00	SPHERICAL BEARING	2	
34	MT0335 2136 00	CIRCLIP	4	
35	MT5112 0113 35	DRIVING LIGHT	2	
36	MT9106 2021 S44	CLAMP SET	2	
37	MT9106 1077 99M	BRACKET ASSEMBLY	1	Complete
38	MT9111 4144 13	COMPLETE PIPE KIT RH	1	See note
39	MT9111 4144 14	COMPLETE PIPE KIT LH	1	See note
40	MT9111 4144 PK	PERC. EXT. PIPES & MANIFOLD	1	See note
41	MT2420 9011 055	DRILL UNIT BOLT KIT	1	See note

PART NUMBER MT9111 4144 01F	DESCRIPTION FRAME	MT Parts: 0407 059 610 1 Haesy Circuit, Roseworthy S.A. 5371 171 Dugan Street, Kalgoorlie W.A. 6430 parts@mtunderground.com www.mtunderground.com
	 UNDERGROUND DRILL RELIABILITY	PAGE 4.3

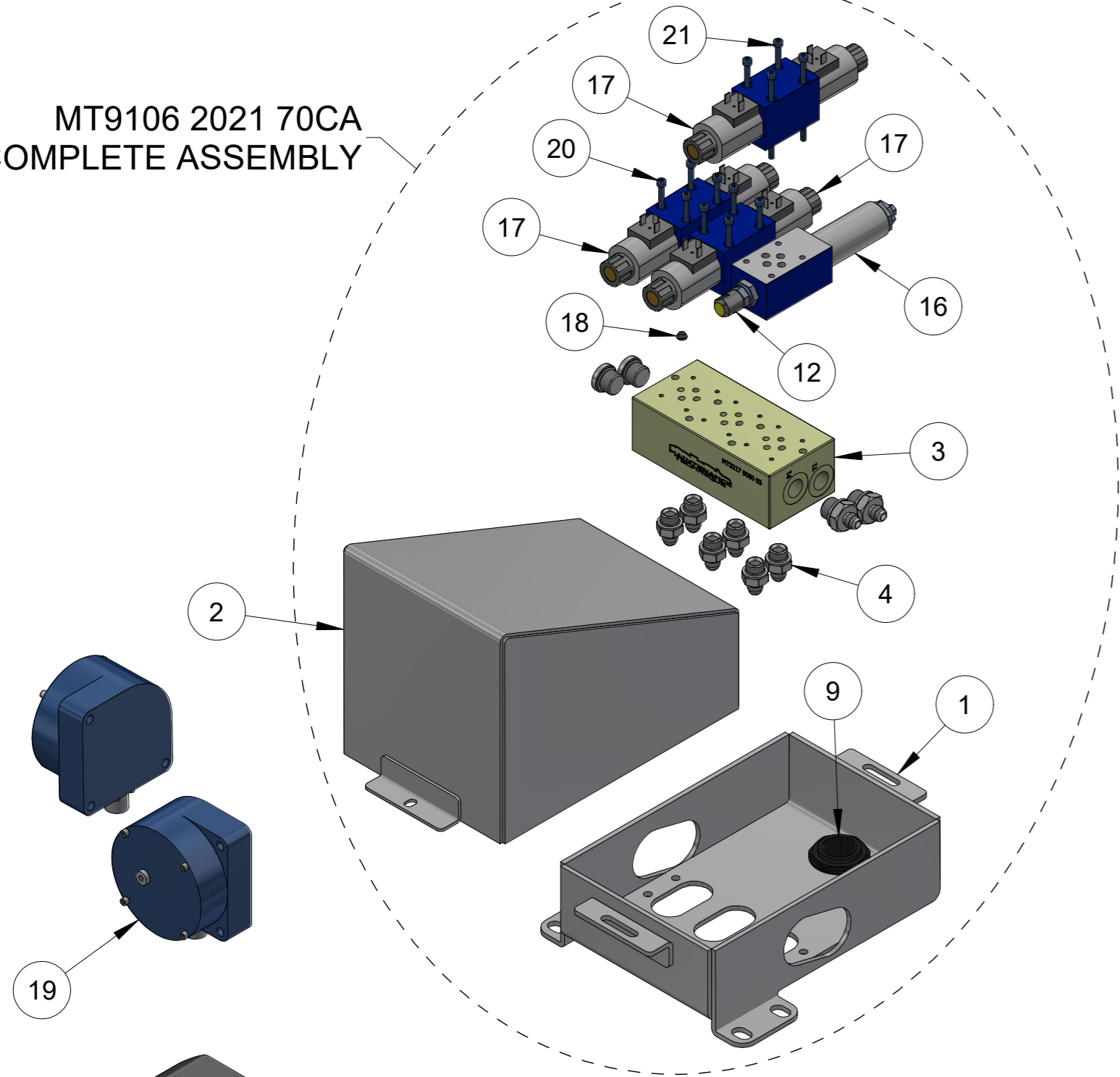


ITEM	PART NUMBER	DESCRIPTION	QTY	COMMENTS
1	MT9111 4020 75CL	CLAMP KIT COMPLETE LH	1	
2	MT9111 4020 72	PIPE CLAMP	1	
3	MT9111 4020 74	PIPE CLAMP	1	
4	MT9111 4020 75	PIPE CLAMP	1	
5	MT9111 4020 77	PIPE CLAMP	1	
6	MT9111 4144 17C	PIPE COUPLING	1	Includes fittings
7	MT9111 4144 95C	PIPE COUPLING	1	Includes fittings
8	MTHT17	HYDRAULIC PIPE 31.75 x 3.25	1	
9	MTHP17	HYDRAULIC PIPE 31.75 x 3.25	1	
10	MTDP17	HYDRAULIC PIPE 12.70 x 1.65	1	
11	MTD17	HYDRAULIC PIPE 15.88 x 1.65	1	
12	MTHP17	HYDRAULIC PIPE 19.05 x 2.11	1	
13	MTHP17	HYDRAULIC PIPE 19.05 x 2.11	1	
14	MT9111 4144 13F	PROTECTION COVER	2	
14.1	MT9111 4144 13H	PROTECTION COVER - HALF		Optional
15	MT9111 4020 69CR	CLAMP KIT COMPLETE RH	1	
16	MT9111 4020 69	PIPE CLAMP	1	
17	MT9111 4020 70	PIPE CLAMP	1	
18	MT9111 4020 71	PIPE CLAMP	1	
19	MT9111 4020 73	PIPE CLAMP	1	
20	MT9111 4020 74	PIPE CLAMP	1	
21	MT9111 4144 15C	PIPE COUPLING	1	Includes fittings
22	MT9111 4144 98C	PIPE COUPLING	1	Includes fittings
23	MTRL27	HYDRAULIC PIPE 19.05 x 2.11	1	
24	MTRR27	HYDRAULIC PIPE 19.05 x 2.11	1	
25	MTT27	HYDRAULIC PIPE 19.05 x 2.11	1	
26	MTA27	HYDRAULIC PIPE 15.88 x 1.65	1	
27	MTP27	HYDRAULIC PIPE 19.05 x 2.11	1	
28	MTW27	HYDRAULIC PIPE 38.10 x 3.25	1	
29	MT3128 3060 50C	PIPE BULKHEAD COMPLETE	1	Includes fittings
30	MT9111 4144 59E	PERC. EXT. PIPE UPPER	1	Not part of kit
31	MT9111 4144 61E	PERC. EXT. PIPE LOWER	1	Not part of kit
32	MT1951 0009 6R	S/S PIPE KIT RH	1	
33	MT1951 0010 6L	S/S PIPE KIT LH	1	
34	MT9111 2150 032	PIPE SPANNER	1	
35	MT9111 2150 050	PIPE SPANNER	1	
36	MT9111 2150 060	PIPE SPANNER	1	

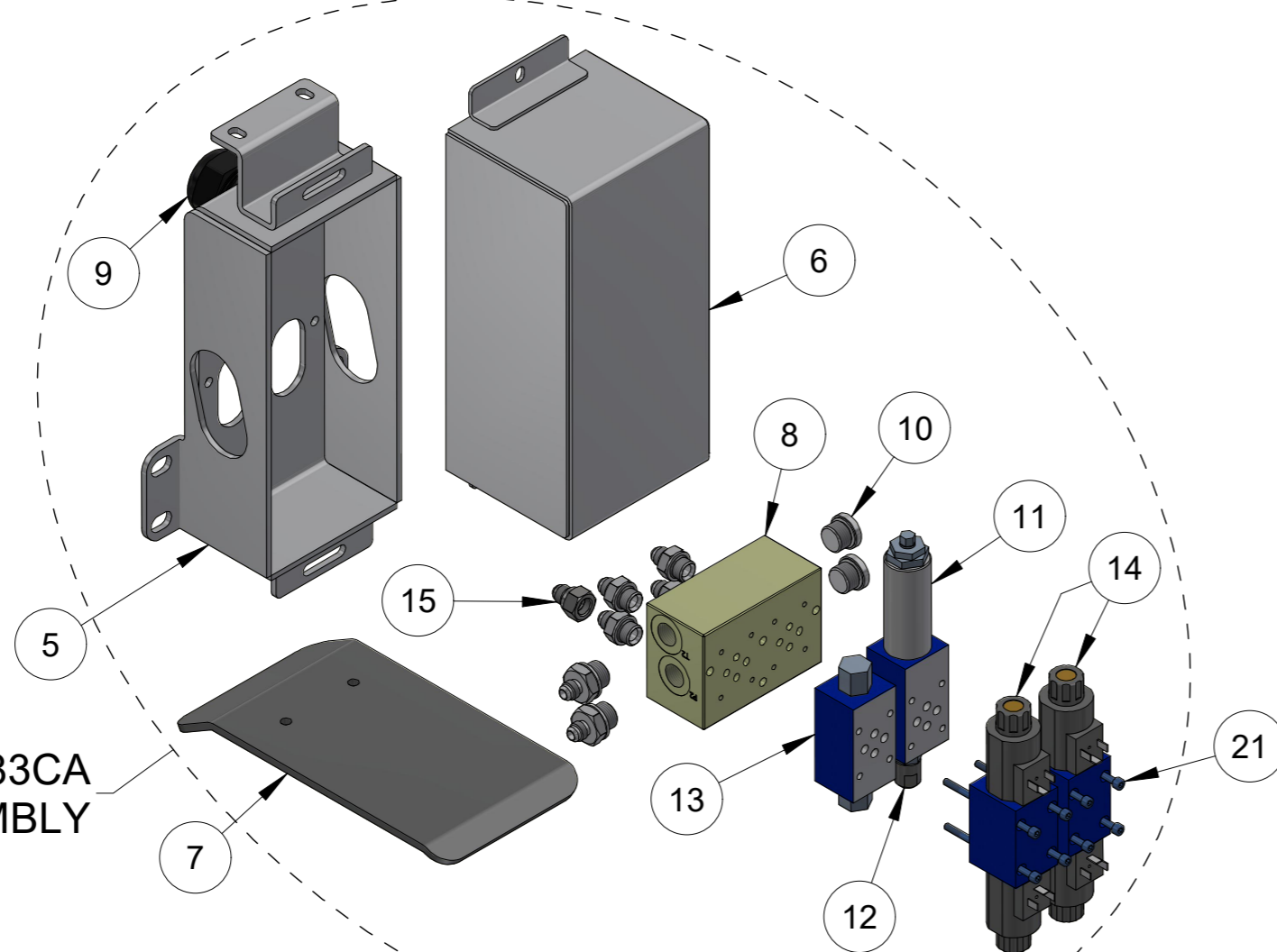


PART NUMBER MT9111 4144 1P	DESCRIPTION PIPES
	
<p>MT Parts: 0407 059 610 1 Haahy Circuit, Roseworthy S.A. 5371 171 Dugan Street, Kalgoorlie W.A. 6430</p> <p>parts@mtunderground.com <small>PAGE</small> www.mtunderground.com 4.4</p>	

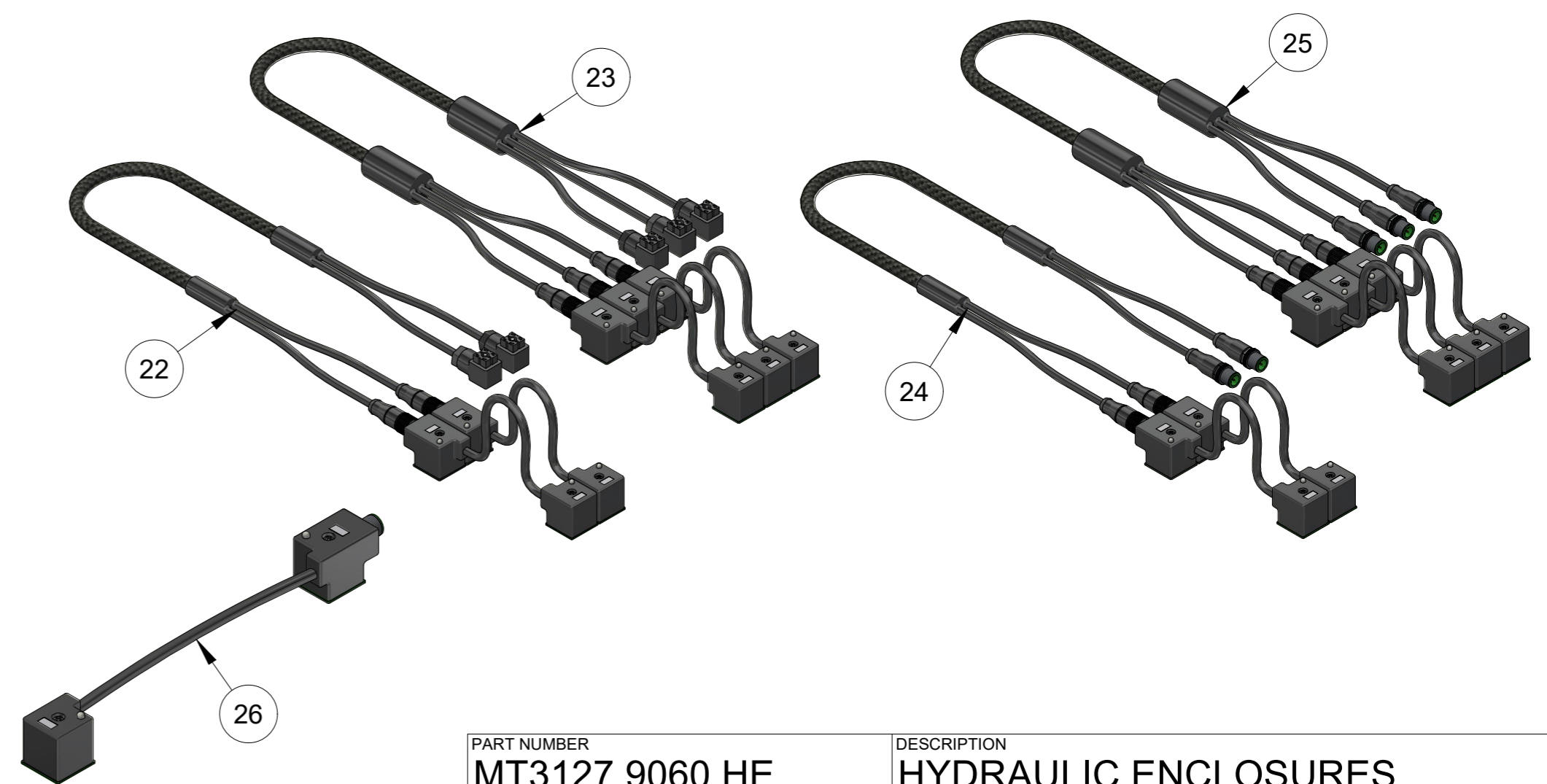
MT9106 2021 70CA
COMPLETE ASSEMBLY



MT9111 4019 83CA
COMPLETE ASSEMBLY



ITEM	PART NUMBER	DESCRIPTION	QTY	COMMENTS
1	MT9106 2021 70E	VALVE ENCLOSURE	1	
2	MT9106 2021 70EL	VALVE ENCLOSURE LID	1	
3	MT3217 9060 03	CONNECTION PLATE	1	
4	MT9111 4019 83FK	FITTINGS KIT	1	Incl. all
5	MT9111 4019 83E	VALVE ENCLOSURE	2	
6	MT9111 4019 83EL	VALVE ENCLOSURE LID	2	
7	MT9111 4019 EC	ENCLOSURE COVER	2	
8	MT3217 9060 02	CONNECTION PLATE	2	
9	MT0698 5140 64	CABLE GLAND 40MM	3	
10	MT9106 2021 70FK	FITTINGS KIT	2	Incl. all
11	MT3217 9341 40	PRESSURE REDUCING VALVE	2	B-port press. red.
12	MT3177 3016 00	COUPLING	3	Test 12
13	MT3222 3268 96	DOUBLE CHECK VALVE	2	Dbl. check valve C-top
14	MT3177 3092 83	DIRECTION VALVE	4	3 pos. direct hd DCV
15	MT3217 6513 08	RESTRICTOR (1.0MM)	2	B-port
16	MT3214 8712 80	PRESSURE REDUCING VALVE	1	P-port press. red.
17	MT3177 3092 60	3 POSITION VALVE	3	Proportion. 3 pos DCV
18	MT3125 5350 00	RESTRICTOR (2.4MM)	1	P-port
19	MT9106 2192 04	INCLINOMETER	2	
20	MT0211 1215 03	SCREW KIT (M5x50 SHCS)	1	Each
21	MT4090 0630 00	SCREW KIT (M5x90 SHCS)	1	Each
n/a	MT0211 1965 58	SCREW KIT (M5x130 SHCS)	1	each, not shown
22	MT9106 1725 322	PAIRED VALVE ARMoured TWIN OUTPUT CABLE	2	RCS3, incl. 2x item 21
23	MT9106 1725 323	TRIPLE VALVE ARMoured TWIN OUTPUT CABLE	1	RCS3, incl. 3x item 21
24	MT3176 0010 542	PAIRED VALVE ARMoured TWIN OUTPUT CABLE	2	RCS4, incl. 2x item 21
25	MT3176 0010 543	TRIPLE VALVE ARMoured TWIN OUTPUT CABLE	1	RCS4, incl. 3x item 21
26	MT9106 1458 156	M12 DOUBLE DIN ADAPTOR	1	RCS3 / RCS4



PART NUMBER	DESCRIPTION
MT3127 9060 HE	HYDRAULIC ENCLOSURES
	
MT Parts: 0407 059 610 1 Haesy Circuit, Roseworthy S.A. 5371 171 Dugan Street, Kalgoorlie W.A. 6430 parts@mtunderground.com www.mtunderground.com	
PAGE	4.5