

MTBUT36L

Page 1 - 3  
BOOM PART 1

Page 4 - 5  
BOOM PART 2

Page 6 - 7  
BOOM PART 3 L/H

MTBUT36R

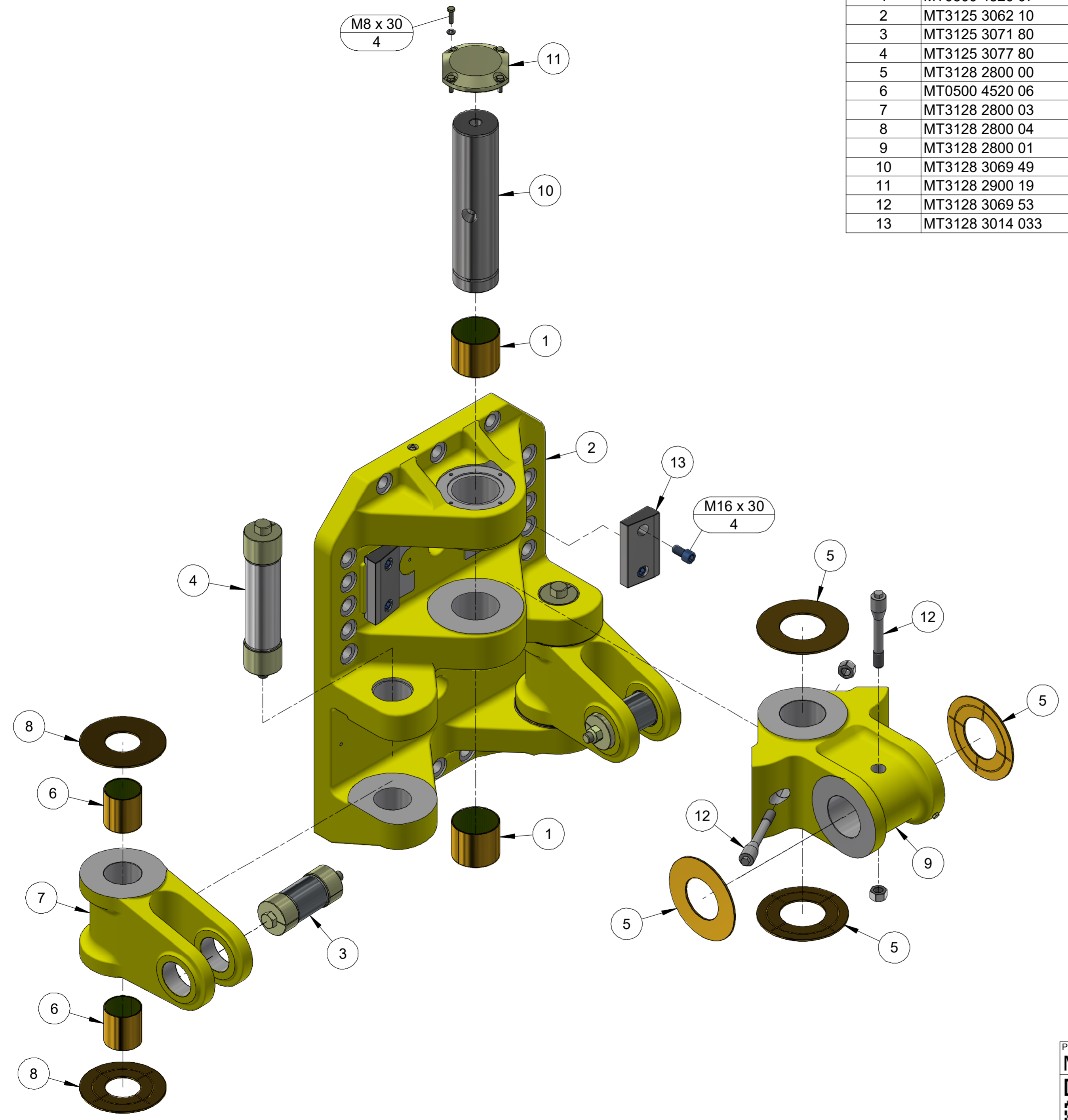
Page 6 & 8  
BOOM PART 3 R/H

PART NUMBER MTBUT36L	DESCRIPTION BUT36 BOOM COMPLETE L/H
PART NUMBER MTBUT36R	DESCRIPTION BUT36 BOOM COMPLETE R/H



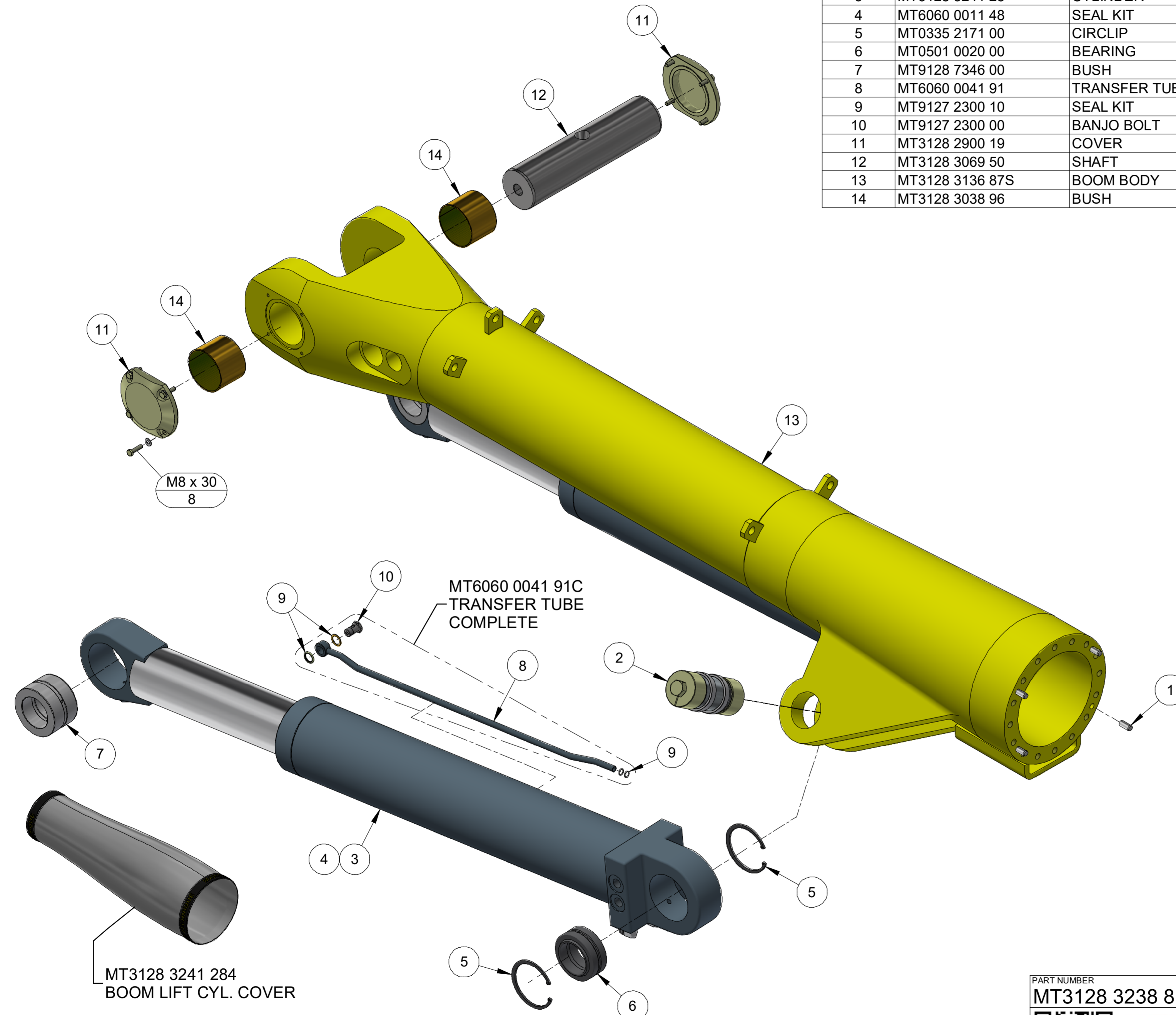
MT Parts: 0407 059 610  
1 Haesy Circuit, Roseworthy S.A. 5371  
171 Dugan Street, Kalgoorlie W.A. 6430  
[parts@mtunderground.com](mailto:parts@mtunderground.com)  
[www.mtunderground.com](http://www.mtunderground.com)

ITEM	PART NUMBER	DESCRIPTION	QTY	COMMENTS
1	MT0500 4520 07	BUSH	2	
2	MT3125 3062 10	BOOM ATTACHMENT	1	Service ex.
3	MT3125 3071 80	EXPANDING SHAFT	2	
4	MT3125 3077 80	EXPANDING SHAFT	2	
5	MT3128 2800 00	THRUST WASHER	4	
6	MT0500 4520 06	BUSH	2	
7	MT3128 2800 03	CYLINDER LINK	1	Service ex.
8	MT3128 2800 04	THRUST WASHER	4	
9	MT3128 2800 01	BOOM LINK	1	Service ex.
10	MT3128 3069 49	SHAFT	1	
11	MT3128 2900 19	COVER	1	
12	MT3128 3069 53	BOLT	2	Includes M20 nut
13	MT3128 3014 033	BOOM STOP	2	

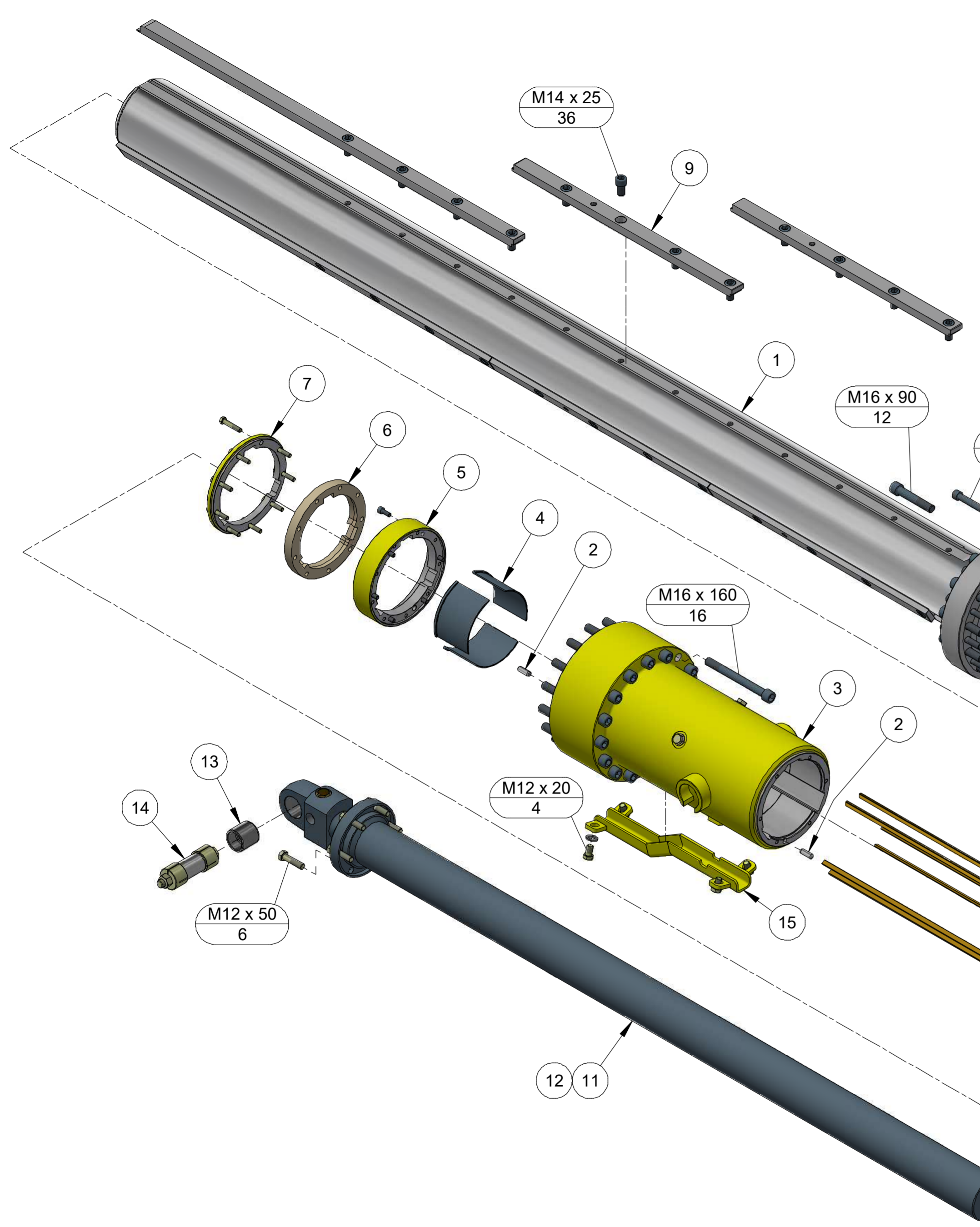


PART NUMBER <b>MT3128 3238 81</b>	DESCRIPTION <b>BOOM PART 1</b>
	<p>MT Parts: 0407 059 610          1 Haesy Circuit, Roseworthy S.A. 5371          171 Dugan Street, Kalgoorlie W.A. 6430</p> <p><a href="mailto:parts@mtunderground.com">parts@mtunderground.com</a>  <a href="http://www.mtunderground.com">www.mtunderground.com</a></p>
 <p><b>MAINTENANCE TECHNIQUE</b>          UNDERGROUND DRILL RELIABILITY</p>	
PAGE <b>1</b>	

ITEM	PART NUMBER	DESCRIPTION	QTY	COMMENTS
1	MT0102 0460 00	PIN	4	Ø12x30
2	MT3125 3071 81	EXPANDING SHAFT	2	
3	MT3128 3241 28	CYLINDER	2	Service ex.
4	MT6060 0011 48	SEAL KIT	2	
5	MT0335 2171 00	CIRCLIP	2	
6	MT0501 0020 00	BEARING	2	
7	MT9128 7346 00	BUSH	2	
8	MT6060 0041 91	TRANSFER TUBE	2	
9	MT9127 2300 10	SEAL KIT	2	Includes washers & o-rings
10	MT9127 2300 00	BANJO BOLT	2	
11	MT3128 2900 19	COVER	2	
12	MT3128 3069 50	SHAFT	1	
13	MT3128 3136 87S	BOOM BODY	1	Service ex.
14	MT3128 3038 96	BUSH	2	



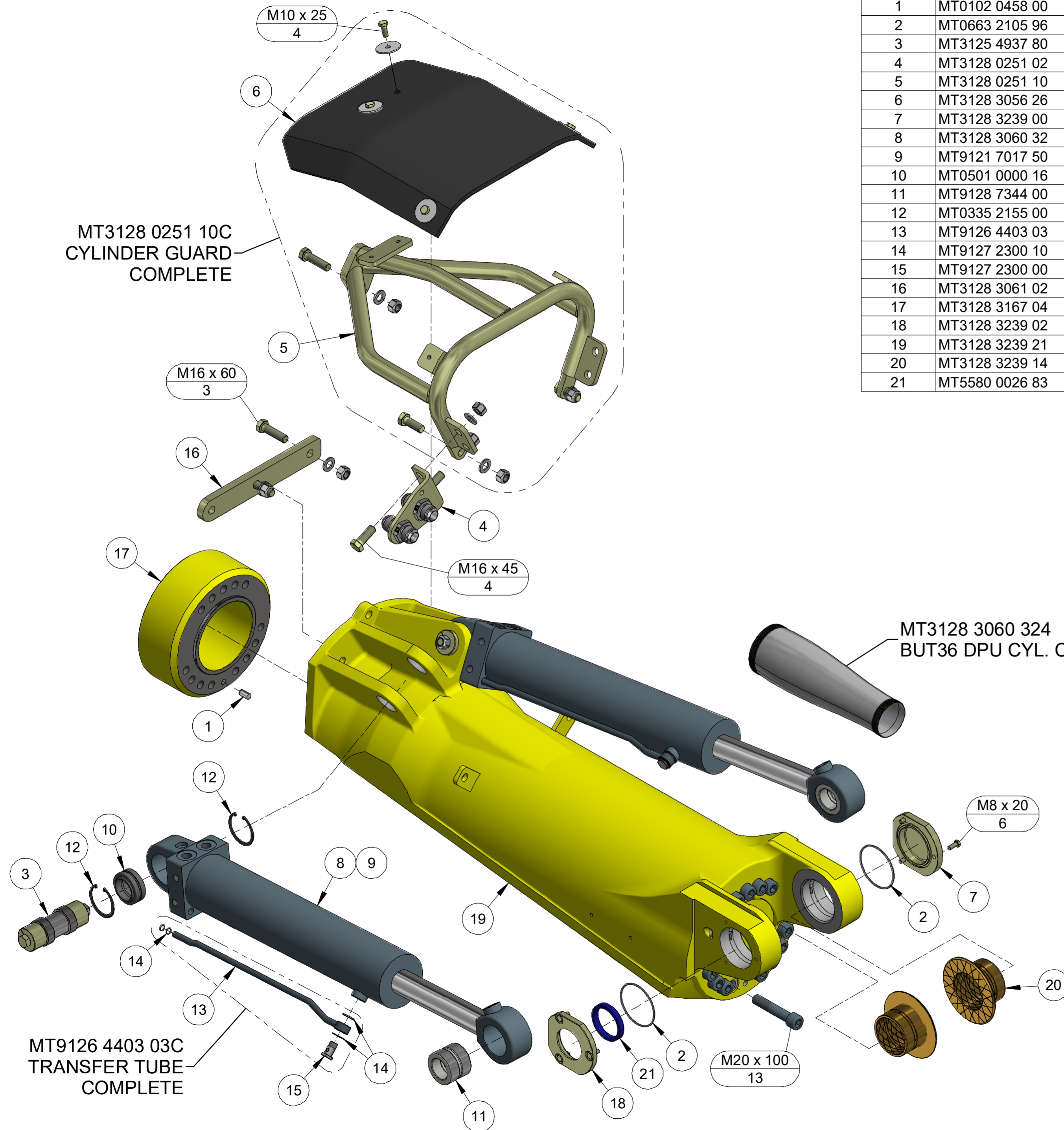
PART NUMBER <b>MT3128 3238 81</b>	DESCRIPTION <b>BOOM PART 1</b>
	<p>MT Parts: 0407 059 610          1 Haesy Circuit, Roseworthy S.A. 5371          171 Dugan Street, Kalgoorlie W.A. 6430  <a href="mailto:parts@mtunderground.com">parts@mtunderground.com</a>  <a href="http://www.mtunderground.com">www.mtunderground.com</a></p>
 <p><b>MAINTENANCE TECHNIQUE</b>          UNDERGROUND DRILL RELIABILITY</p>	
PAGE <b>2</b>	



ITEM	PART NUMBER	DESCRIPTION	QTY	COMMENTS
1	MT3128 3239 81	EXTENSION TUBE	1	Service ex.
2	MT0102 0410 00	PIN	2	Ø10x30
3	MT3125 4889 03	BEARING HOUSING	1	
4	MT3128 2091 00	BUSHING SEGMENT	6	
5	MT3128 2092 01	COVER	2	
6	MT3128 2093 01	SEAL	2	
7	MT3128 2094 01	WASHER	2	
8	MT3155 2189 01	CRADLE - BRONZE	6	
9	MT3125 4921 900	KEY - SET	3	
10	MT3128 2093 02	SEAL	1	
11	MT3128 2592 00	CYLINDER	1	Service ex.
12	MT3128 2592 18	SEAL KIT	1	
13	MT3176 7714 00	BUSH	1	
14	MT3155 1772 80	EXPANDING SHAFT	1	
15	MT3128 2508 06	PROTECTION	1	
16	MT3125 4873 019	BOLT KIT	1	

MT3128 3239 824  
BUT36 ZOOM EXT. COVER  
(not shown)

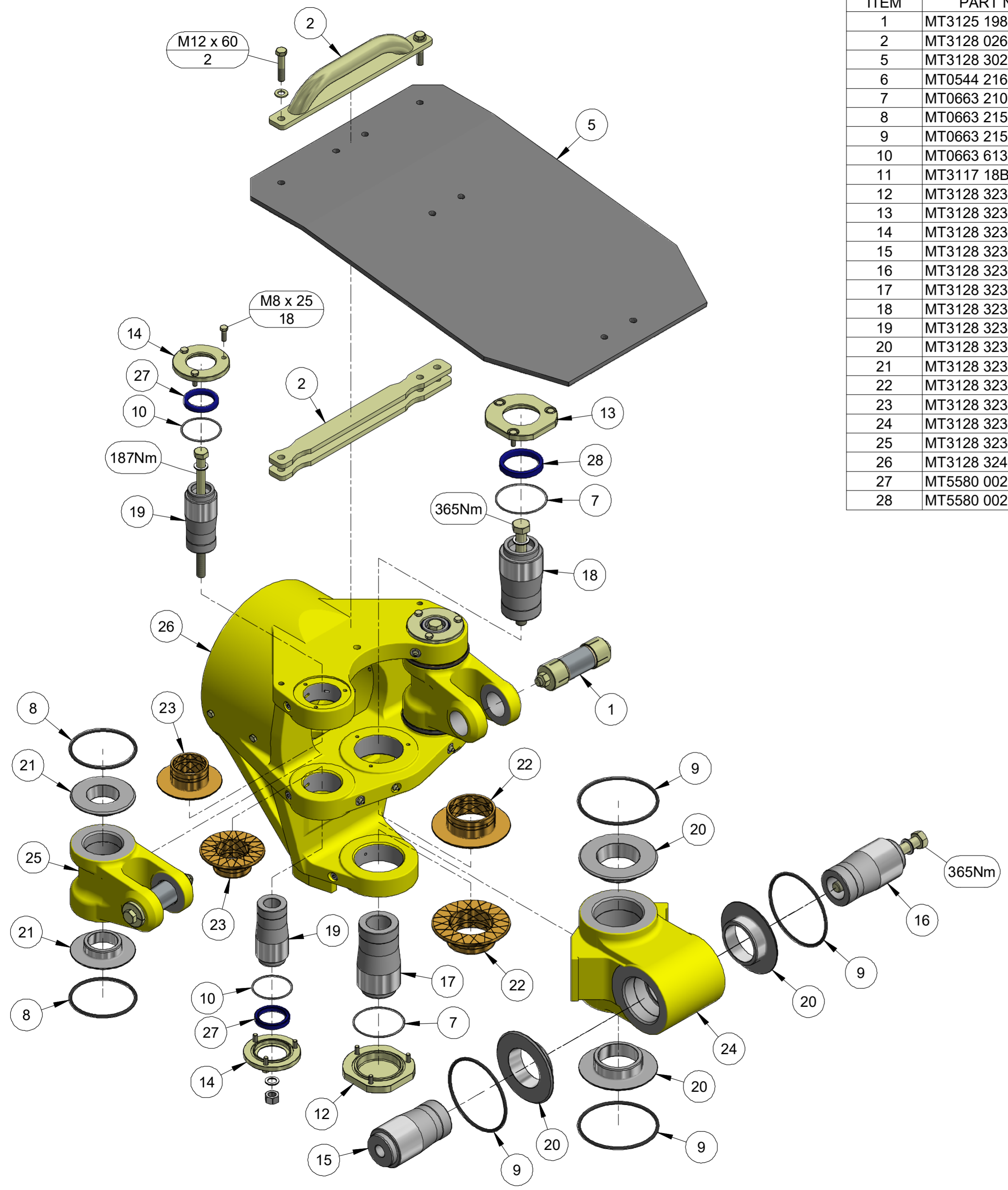
PART NUMBER <b>MT3128 3239 82</b>		DESCRIPTION <b>TELESCOPE SET</b>	
			MT Parts: 0407 059 610 1 Haesy Circuit, Roseworthy S.A. 5371 171 Dugan Street, Kalgoorlie W.A. 6430 <a href="mailto:parts@mtunderground.com">parts@mtunderground.com</a> <a href="http://www.mtunderground.com">www.mtunderground.com</a>
			PAGE <b>3</b>



ITEM	PART NUMBER	DESCRIPTION	QTY	COMMENTS
1	MT0102 0458 00	PIN	1	
2	MT0663 2105 96	O-RING	2	
3	MT3125 4937 80	EXPANDING SHAFT	2	
4	MT3128 0251 02	BULKHEAD BRACKET	1	
5	MT3128 0251 10	CYLINDER GUARD	1	
6	MT3128 3056 26	PROTECTION MAT	1	
7	MT3128 3239 00	TOP COVER	1	
8	MT3128 3060 32	CYLINDER	2	Service ex.
9	MT9121 7017 50	SEAL KIT	1	
10	MT0501 0000 16	BEARING	2	
11	MT9128 7344 00	BUSHING	2	
12	MT0335 2155 00	CIRCLIP	4	
13	MT9126 4403 03	TRANSFER TUBE	1	
14	MT9127 2300 10	SEAL KIT	1	Includes washers & o-rings
15	MT9127 2300 00	BANJO BOLT	1	
16	MT3128 3061 02	ATTACHMENT BRACKET	1	
17	MT3128 3167 04	ADAPTER	1	
18	MT3128 3239 02	BOTTOM COVER	1	
19	MT3128 3239 21	CYLINDER BRACKET	1	Service ex.
20	MT3128 3239 14	FLANGE BEARING	2	
21	MT5580 0026 83	WIPER	1	

PART NUMBER <b>MT3128 3238 82</b>	DESCRIPTION <b>BOOM PART 2</b>
	
MT Parts: 0407 059 610 1 Haehy Circuit, Roseworthy S.A. 5371 171 Dugan Street, Kalgoorlie W.A. 6430 <a href="mailto:parts@mtunderground.com">parts@mtunderground.com</a> <a href="http://www.mtunderground.com">www.mtunderground.com</a>	
UNDERGROUND DRILL RELIABILITY	
PAGE <b>4</b>	

ITEM	PART NUMBER	DESCRIPTION	QTY	COMMENTS
1	MT3125 1982 80	EXPANDING SHAFT	2	
2	MT3128 0265 00C	CLAMP COMPLETE	1	
5	MT3128 3020 54	PROTECTION MAT	1	
6	MT0544 2162 00	GREASE NIPPLE	6	
7	MT0663 2105 96	O-RING	2	
8	MT0663 2150 00	O-RING	4	
9	MT0663 2155 00	O-RING	4	
10	MT0663 6138 00	O-RING	4	
11	MT3117 18BS PP	PLUG	5	
12	MT3128 3239 00	TOP COVER	1	
13	MT3128 3239 02	BOTTOM COVER	1	
14	MT3128 3239 04	COVER	4	
15	MT3128 3239 06	SHAFT	1	
16	MT3128 3239 07	SHAFT	1	
17	MT3128 3239 08	SHAFT	1	
18	MT3128 3239 09	SHAFT	1	
19	MT3128 3239 10	SHAFT	4	
20	MT3128 3239 11	FLANGE BUSHING	4	
21	MT3128 3239 13	FLANGE BUSHING	4	
22	MT3128 3239 15	FLANGE BEARING	2	
23	MT3128 3239 16	FLANGE BEARING	4	
24	MT3128 3239 22	BOOM LINK	1	Service ex.
25	MT3128 3239 23	CYLINDER LINK	2	Service ex.
26	MT3128 3240 791	BOOM ATTACHMENT	1	Service ex.
27	MT5580 0026 82	WIPER	4	
28	MT5580 0026 83	WIPER	1	



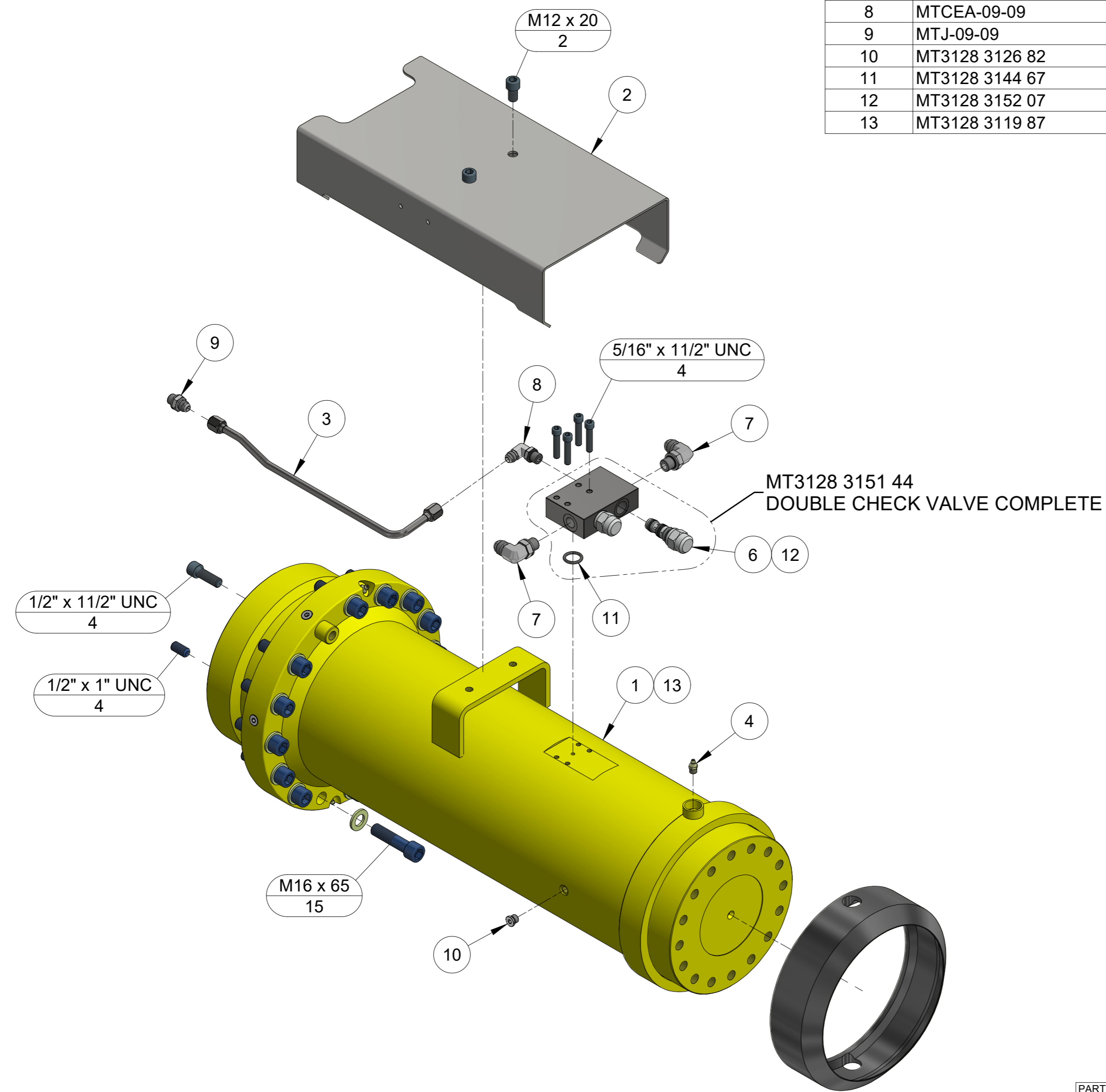
PART NUMBER: **MT3128 3238 82** DESCRIPTION: **BOOM PART 2**

MT Parts: 0407 059 610  
 1 Haesy Circuit, Roseworthy S.A. 5371  
 171 Dugan Street, Kalgoorlie W.A. 6430  
[parts@mtunderground.com](mailto:parts@mtunderground.com) [www.mtunderground.com](http://www.mtunderground.com)

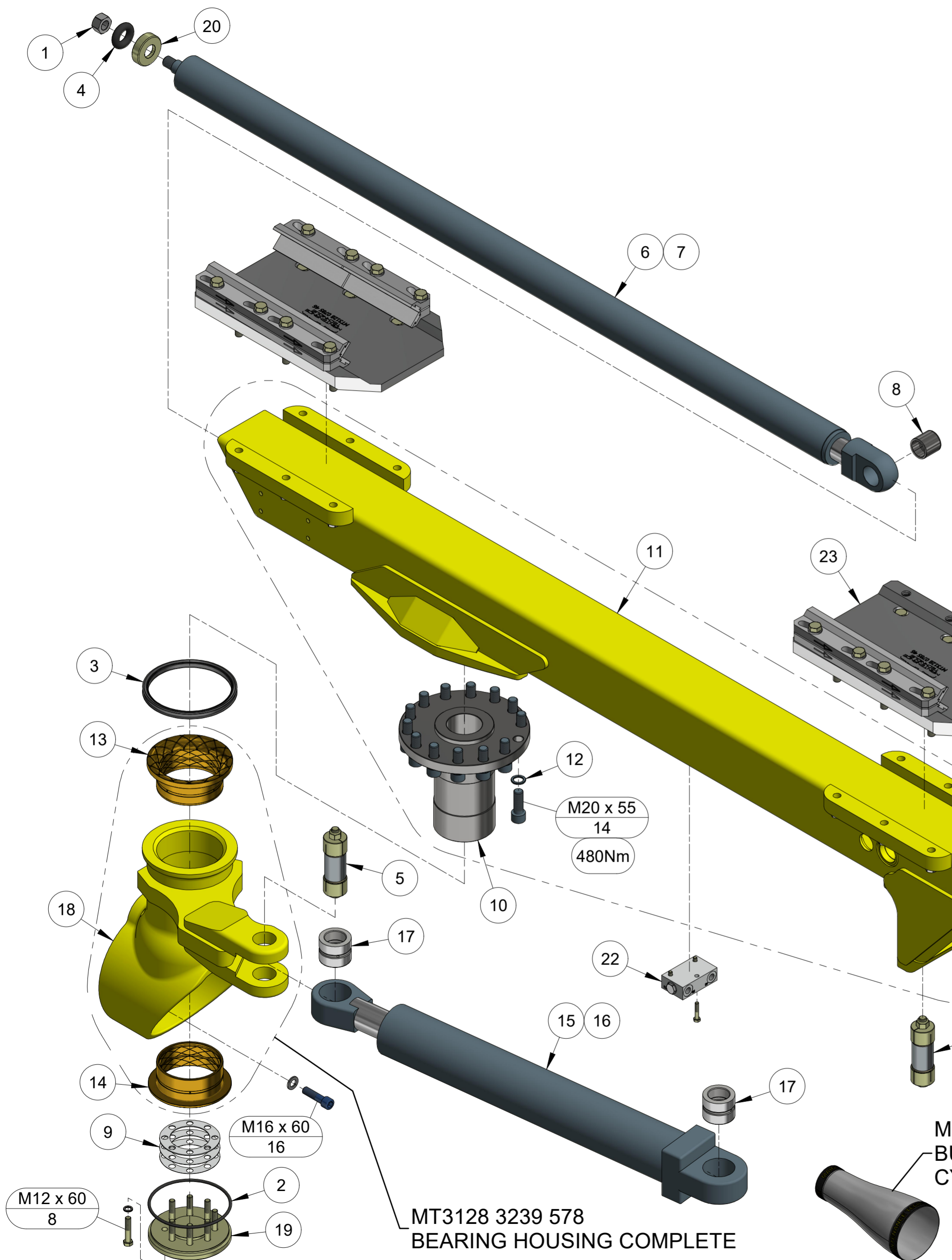
**MAINTENANCE TECHNIQUE**  
 UNDERGROUND DRILL RELIABILITY

PAGE **5**

ITEM	PART NUMBER	DESCRIPTION	QTY	COMMENTS
1	MT3128 3126 45SX	TURNING DEVICE	1	Service ex.
2	MT3128 3146 75	PROTECTION	1	
3	MT3128 3146 24	TRANSFER TUBE	1	
4	MT3128 3151 47	GREASE NIPPLE	4	
5	MT3128 3151 44	DOUBLE CHECK VALVE	1	
6	MT3128 2090 11	CARTRIDGE VALVE	2	
7	MT1JG9-08-06OG	Elbow 3/4"JIC x 3/8"BSPP	2	
8	MTCEA-09-09	Elbow 9/16"JIC x 9/16"UNO	1	
9	MTJ-09-09	Nipple 9/16"JIC x 9/16"UNO	1	
10	MT3128 3126 82	Plug 7/16"UNO	5	
11	MT3128 3144 67	SEAL KIT	1	
12	MT3128 3152 07	SEAL KIT	1	
13	MT3128 3119 87	SEAL KIT	1	



PART NUMBER <b>MT3128 3126 45</b>	DESCRIPTION <b>TURNING DEVICE</b>
	<b>MAINTENANCE TECHNIQUE</b> <small>UNDERGROUND DRILL RELIABILITY</small>
MT Parts: 0407 059 610 1 Haehy Circuit, Roseworthy S.A. 5371 171 Dugan Street, Kalgoorlie W.A. 6430 <a href="mailto:parts@mtunderground.com">parts@mtunderground.com</a> <small>PAGE</small> <a href="http://www.mtunderground.com">www.mtunderground.com</a>	
<b>6</b>	



ITEM	PART NUMBER	DESCRIPTION	QTY	COMMENTS
1	MT0291 1128 30	LOCK NUT	1	
2	MT0663 6157 00	O-RING	1	
3	MT0666 8000 05	SEAL	1	
4	MT3122 0309 00	RUBBER RING	1	
5	MT3125 1982 80	EXPANDING SHAFT	2	
6	MT3128 2598 43	HYDRAULIC CYLINDER	1	Service ex.
7	MT3128 2598 46	SEAL KIT	1	
8	MT3176 7714 00	BUSH	1	
9	MT3128 3237 45	SHIM SET	1	
10	MT3128 3237 502	SHAFT	1	
11	MT3128 3237 501	FEED HOLDER BASE	1	
12	MT0300 2031	HARD WASHER M20	14	
13	MT3128 3239 01	FLANGE BEARING	1	
14	MT3128 3239 05	FLANGE BEARING	1	
15	MT3128 3239 53	HYDRAULIC CYLINDER	1	Service ex.
16	MT3222 3364 67	SEAL KIT	1	
17	MT9128 7344 00	BUSHING	2	
18	MT3128 3239 57	BEARING HOUSING	1	Service ex.
19	MT3128 3243 551	COVER	1	
20	MT3153 8650 00	WASHER	1	
21	MT3155 1772 80	EXPANDING SHAFT	1	
22	MT9106 0630 10	DOUBLE CHECK VALVE	1	
23	MT3128 0785 46	ATTACHMENT PLATE	2	
24	MT3128 0784 39	SLIDE HOLDER LONG LH	4	
25	MT3128 0784 38	SLIDE HOLDER LONG RH	4	
26	MT3128 3074 88	NYLON SLIDE - GREY	16	Hard compound
27	MT3128 0619 00	SLIDE KEY	48	

M16 x 70

M16 x 70  
28

M20 x 55  
14  
480Nm

M16 x 60  
16

M12 x 60  
8

MT3128 3061 81 HOLDER SET

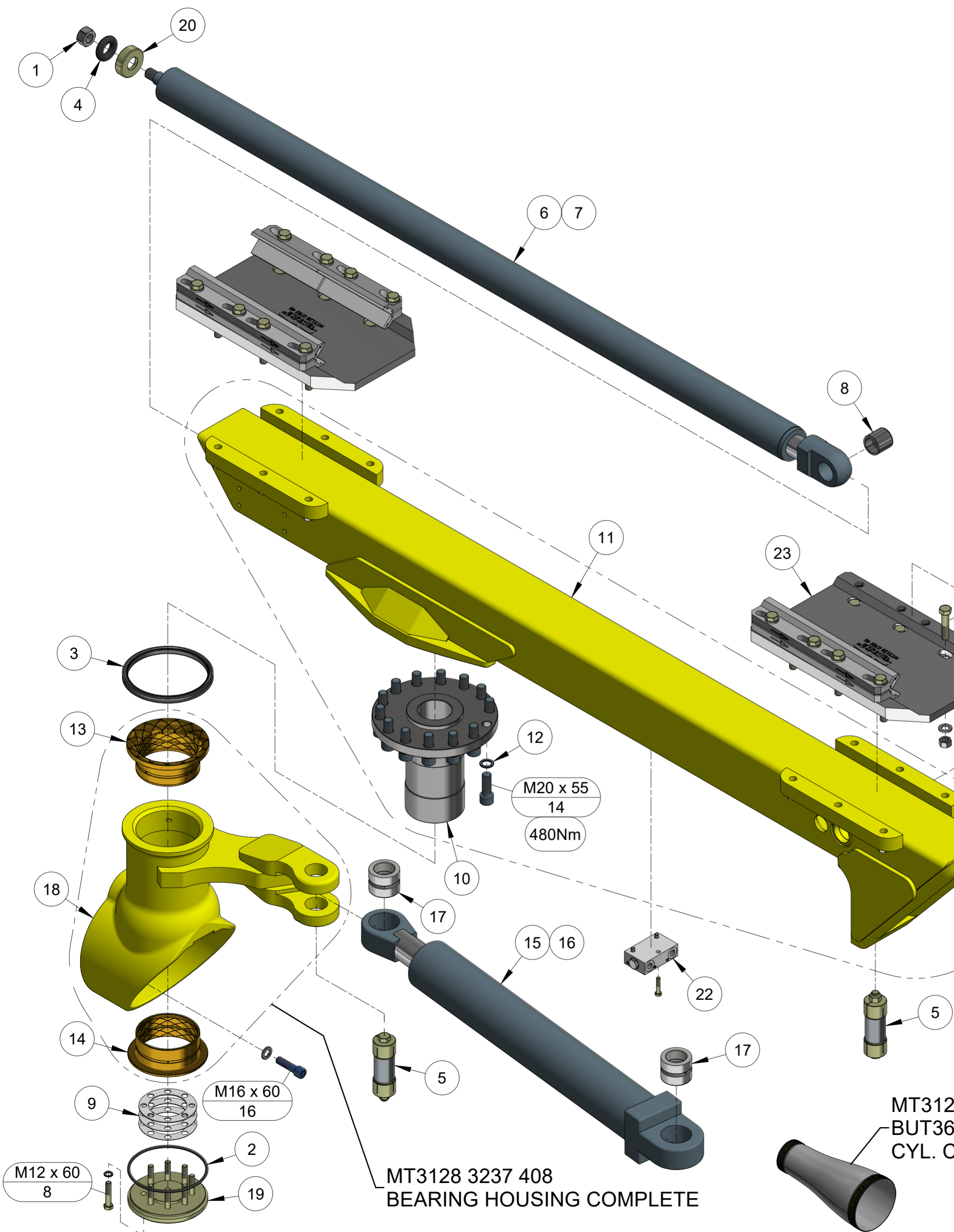
MT3128 3061 80 HOLDER SET

MT3128 3237 50 FEED HOLDER  
(includes item 20 cover & item 9 shim set)

MT3128 3239 534  
BUT36 EXTRA SWING  
CYL. COVER

MT3128 3239 578  
BEARING HOUSING COMPLETE

PART NUMBER <b>MT3128 3237 501C</b>	DESCRIPTION <b>FEED HOLDER COMPLETE L/H</b>
MT Parts: 0407 059 610 1 Haehy Circuit, Roseworthy S.A. 5371 171 Dugan Street, Kalgoorlie W.A. 6430 <a href="mailto:parts@mtunderground.com">parts@mtunderground.com</a> <a href="http://www.mtunderground.com">www.mtunderground.com</a>	
UNDERGROUND DRILL RELIABILITY	
PAGE <b>7</b>	



ITEM	PART NUMBER	DESCRIPTION	QTY	COMMENTS
1	MT0291 1128 30	LOCK NUT	1	
2	MT0663 6157 00	O-RING	1	
3	MT0666 8000 05	SEAL	1	
4	MT3122 0309 00	RUBBER RING	1	
5	MT3125 1982 80	EXPANDING SHAFT	2	
6	MT3128 2598 43	HYDRAULIC CYLINDER	1	Service ex.
7	MT3128 2598 46	SEAL KIT	1	
8	MT3176 7714 00	BUSH	1	
9	MT3128 3237 45	SHIM SET	1	
10	MT3128 3237 502	SHAFT	1	
11	MT3128 3237 501	FEED HOLDER BASE	1	
12	MT0300 2031	HARD WASHER M20	14	
13	MT3128 3239 01	FLANGE BEARING	1	
14	MT3128 3239 05	FLANGE BEARING	1	
15	MT3128 3239 53	HYDRAULIC CYLINDER	1	Service ex.
16	MT3222 3364 67	SEAL KIT	1	
17	MT9128 7344 00	BUSHING	2	
18	MT3128 3237 40	BEARING HOUSING	1	Service ex.
19	MT3128 3243 551	COVER	1	
20	MT3153 8650 00	WASHER	1	
21	MT3155 1772 80	EXPANDING SHAFT	1	
22	MT9106 0630 10	DOUBLE CHECK VALVE	1	
23	MT3128 0785 46	ATTACHMENT PLATE	2	
24	MT3128 0784 39	SLIDE HOLDER LONG LH	4	
25	MT3128 0784 38	SLIDE HOLDER LONG RH	4	
26	MT3128 3074 88	NYLON SLIDE - GREY	16	Hard compound
27	MT3128 0619 00	SLIDE KEY	48	



MT3128 3237 50 FEED HOLDER  
(includes item 20 cover & item 9 shim set)

MT3128 3237 408  
BEARING HOUSING COMPLETE

MT3128 3239 534  
BUT36 EXTRA SWING  
CYL. COVER

MT3128 3061 81 HOLDER SET

MT3128 3061 80 HOLDER SET

PART NUMBER	DESCRIPTION
MT3128 3237 502C	FEED HOLDER COMPLETE R/H
	
	
MT Parts: 0407 059 610 1 Haehy Circuit, Roseworthy S.A. 5371 171 Dugan Street, Kalgoorlie W.A. 6430 <a href="mailto:parts@mtunderground.com">parts@mtunderground.com</a> <a href="http://www.mtunderground.com">www.mtunderground.com</a>	
PAGE	8