

Section 1:  
FEED

Section 2:  
BOOM

PART NUMBER <b>MT1257 RHS09-15 CA</b>	DESCRIPTION <b>BOOM - FEED ASSEMBLY</b>
	 <p><b>MAINTENANCE TECHNIQUE</b> UNDERGROUND DRILL RELIABILITY</p>
<p>MT Parts: 0407 059 610          1 Hahey Circuit, Roseworthy S.A. 5371          171 Dugan Street, Kalgoorlie W.A. 6430  <a href="mailto:parts@mtunderground.com">parts@mtunderground.com</a>  <a href="http://www.mtunderground.com">www.mtunderground.com</a></p>	

SECTION 1: FEED

Page 1.14 - 1.16:  
FEED FRONT

Page 1.11 - 1.12:  
ARMS

Page 1.10:  
ROD HANDLER  
HOSE TREE

Page 1.5:  
MAGAZINE

1.2m - T32, T38, T45

1.5m - T32, T38, T45

1.8m - T32, T38, T45

Page 1.6:  
MAGAZINE

1.5m - T32/15, T38/14, T45/13

1.8m - T32/15, T38/14, T45/13

Page 1.13:  
CRADLE SET FRONT

Page 1.9:  
EXTENSION HOSE TREE

Page 1.7:  
ROPES

Page 1.4:  
CRADLE

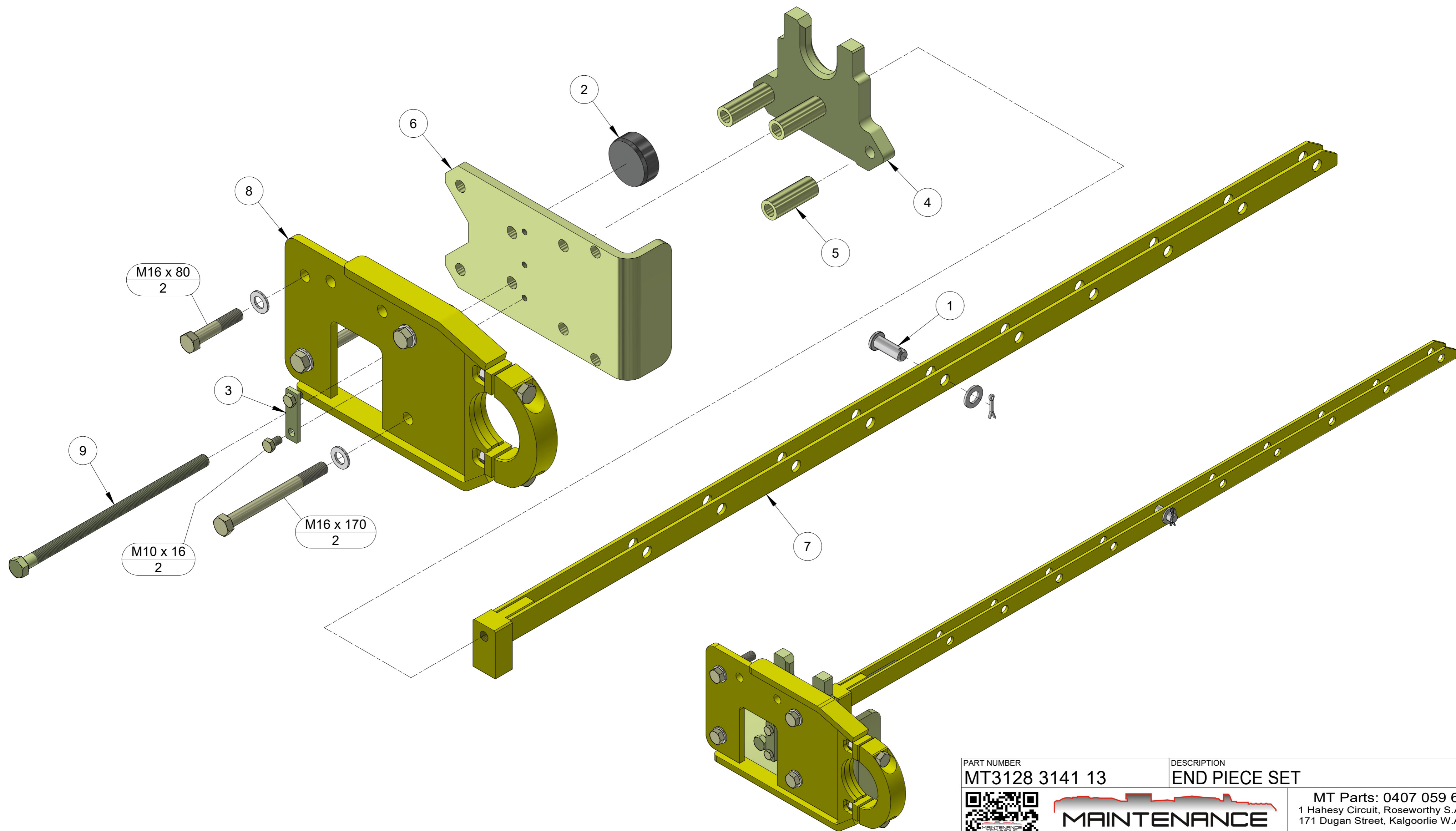
Page 1.3:  
CRADLE SET REAR

Page 1.8:  
CYLINDERS  
FEED BEAM

Page 1.1 - 1.2:  
END PIECE SET

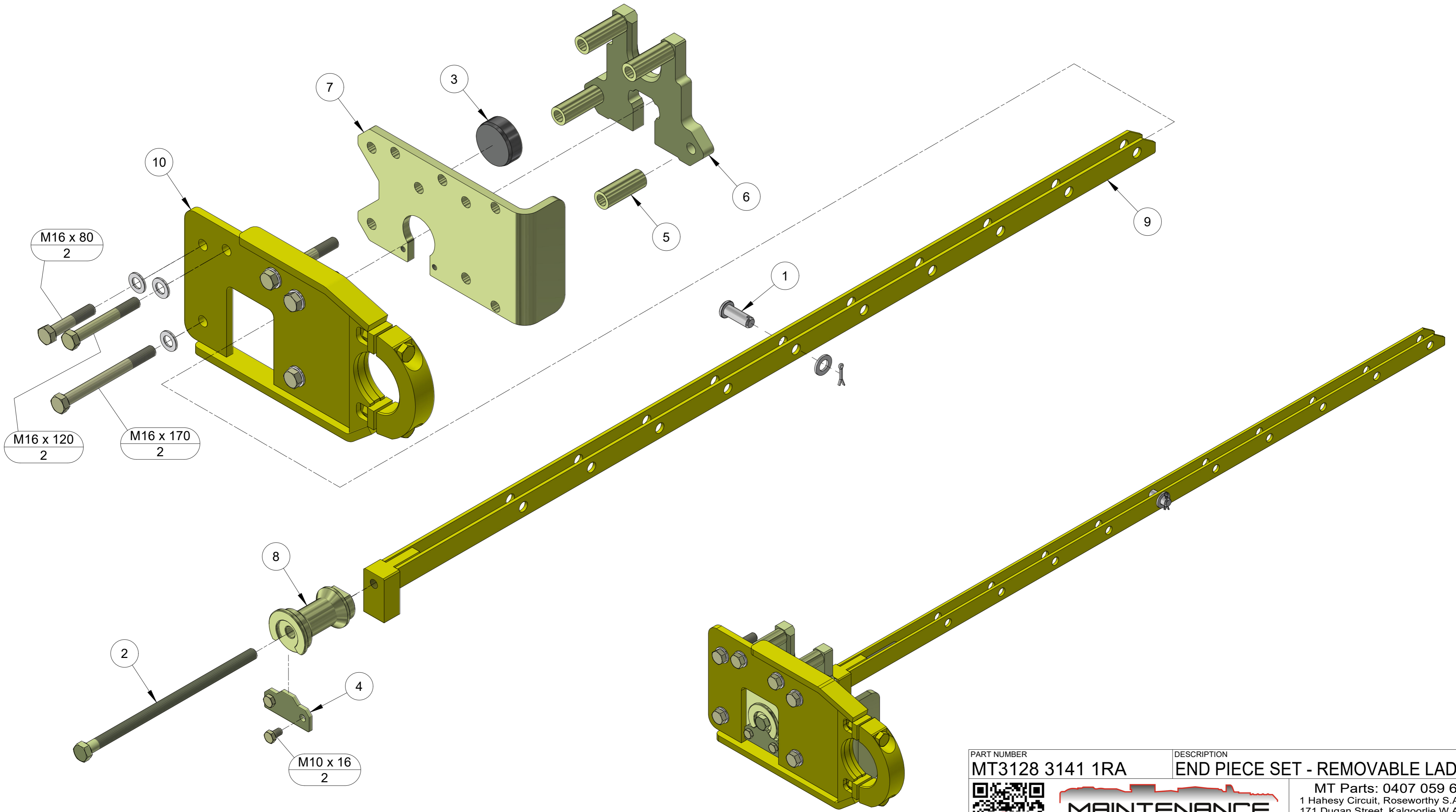
PART NUMBER	DESCRIPTION
MT3128 3142 78C	FEED ASSEMBLY 1257
	<p>MT Parts: 0407 059 610 1 Haehy Circuit, Roseworthy S.A. 5371 171 Dugan Street, Kalgoorlie W.A. 6430</p> <p><a href="mailto:parts@mtunderground.com">parts@mtunderground.com</a> <a href="http://www.mtunderground.com">www.mtunderground.com</a></p>
 <p><b>MAINTENANCE TECHNIQUE</b> UNDERGROUND DRILL RELIABILITY</p>	

ITEM	PART NUMBER	DESCRIPTION	QTY	COMMENTS
1	MT0113 3238 00	PIN	1	Includes washer & split pin
2	MT3125 0639 00	BUFFER - REAR	1	
3	MT3128 0476 00	WASHER PLATE	1	
4	MT3128 3051 71	END PIECE	1	
5	MT3128 3051 75	PIPE	3	
6	MT3128 3051 84	BACK HEAD	1	
7	MT3128 3135 91	ROPE LADDER	1	
8	MT3128 3173 11	ATTACHMENT PLATE	1	
9	MT0147 1958 29	SET SCREW	1	
10	MT3128 3141 13BK	BOLT KIT	1	

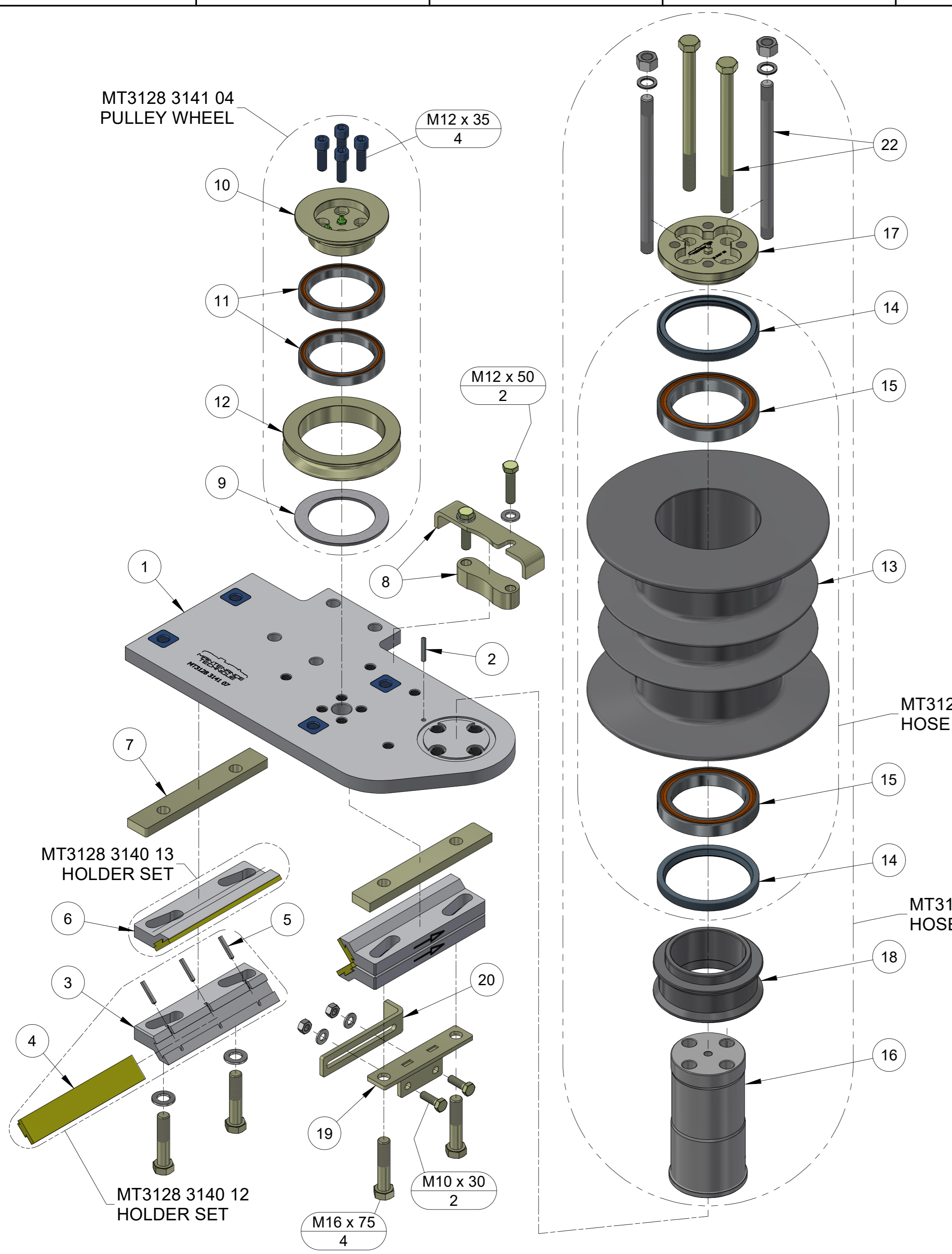


PART NUMBER <b>MT3128 3141 13</b>	DESCRIPTION <b>END PIECE SET</b>	MT Parts: 0407 059 610 1 Hahey Circuit, Roseworthy S.A. 5371 171 Dugan Street, Kalgoorlie W.A. 6430 <a href="mailto:parts@mtunderground.com">parts@mtunderground.com</a> <a href="http://www.mtunderground.com">www.mtunderground.com</a>
	<b>MAINTENANCE TECHNIQUE</b> UNDERGROUND DRILL RELIABILITY	PAGE <b>1.1</b>

ITEM	PART NUMBER	DESCRIPTION	QTY	COMMENTS
1	MT0113 3238 00	PIN	1	Includes washer & split pin
2	MT0147 1958 29	SET SCREW	1	
3	MT3125 0639 00	BUFFER - REAR	1	
4	MT3128 0476 0R	WASHER PLATE	1	
5	MT3128 3051 7S	PIPE	4	
6	MT3128 3051 7R	END PIECE	1	
7	MT3128 3051 8R	BACK HEAD	1	
8	MT3128 3051 8S	SPACER - 6000	1	
9	MT3128 3135 91	ROPE LADDER - 1257	1	
10	MT3128 3173 11	ATTACHMENT PLATE	1	
11	MT3128 3141 1RBK	BOLT KIT	1	



PART NUMBER <b>MT3128 3141 1RA</b>	DESCRIPTION <b>END PIECE SET - REMOVABLE LADDER</b>
	
	
MT Parts: 0407 059 610 1 Haehy Circuit, Roseworthy S.A. 5371 171 Dugan Street, Kalgoorlie W.A. 6430 <a href="mailto:parts@mtunderground.com">parts@mtunderground.com</a> <a href="http://www.mtunderground.com">www.mtunderground.com</a>	
PAGE	<b>1.2</b>





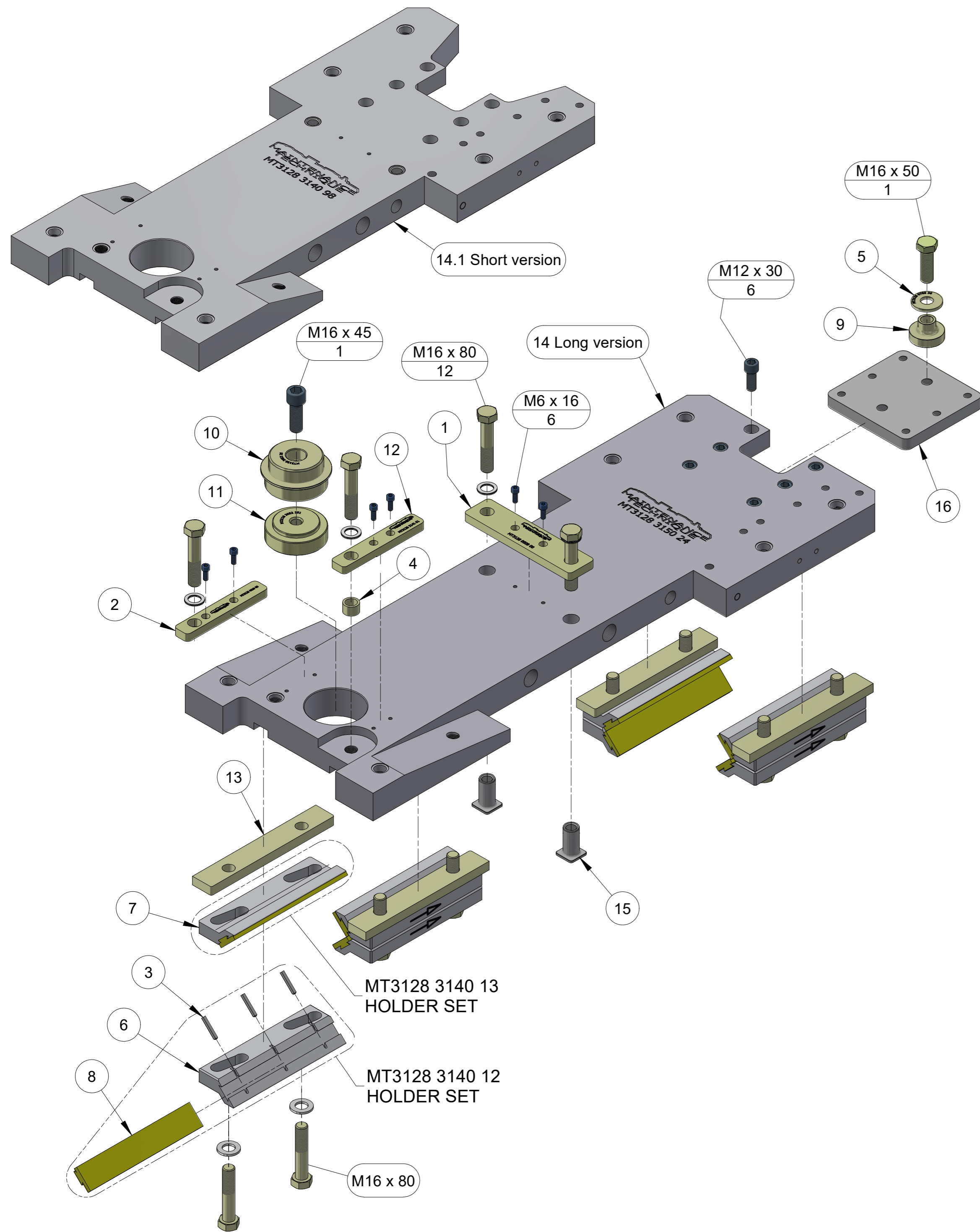
ITEM	PART NUMBER	DESCRIPTION	QTY	COMMENTS
1	MT3128 3141 07	CRADLE PLATE - REAR	1	
2	MT0101 1951 28	PIN	1	
3	MT3128 0785 48	SLIDE HOLDER RH	2	
4	MT3128 3039 30	NYLON SLIDE SOFT	4	Yellow
4.1	MT3128 3039 31	NYLON SLIDE MID	0	Blue
4.2	MT3128 3074 88	NYLON SLIDE HARD	0	Grey
5	MT3128 0619 00	SLIDE KEY	12	
6	MT3128 0785 49	SLIDE HOLDER LH	2	
7	MT3128 3141 02	SPACER	2	
8	MT3128 3141 03	GUIDE ASSEMBLY	1	
9	MT0324 1550 65	BACK-UP RING	1	
10	MT3128 2561 65	SHAFT	1	
11	MT3128 2561 66B	BEARING	2	
12	MT3128 2561 67	PULLEY - REAR	1	
13	MT3128 0475 09E	HOSE REEL - EXTENDED	1	
14	MT0666 6718 00	RADIAL LIP SEAL	2	
15	MT3128 0475 10B	HOSE REEL BEARING	2	
16	MT3128 0486 00	SHAFT	1	
17	MT3128 0497 00	CAP	1	
18	MT3128 3141 05	SPACER	1	
19	MT3128 0710 00	BRACKET	1	Inc. nuts & bolts
20	MT3128 0711 00	ANGLE	1	
21	MT3128 3141 05P	HOSE REEL PROTECTION	0	Not included
22	MT3128 3141 05BK	BOLT KIT	1	
23	MT3128 3141 07BK	BOLT KIT	1	

MT3128 0475 10E  
HOSE REEL ASSEMBLY

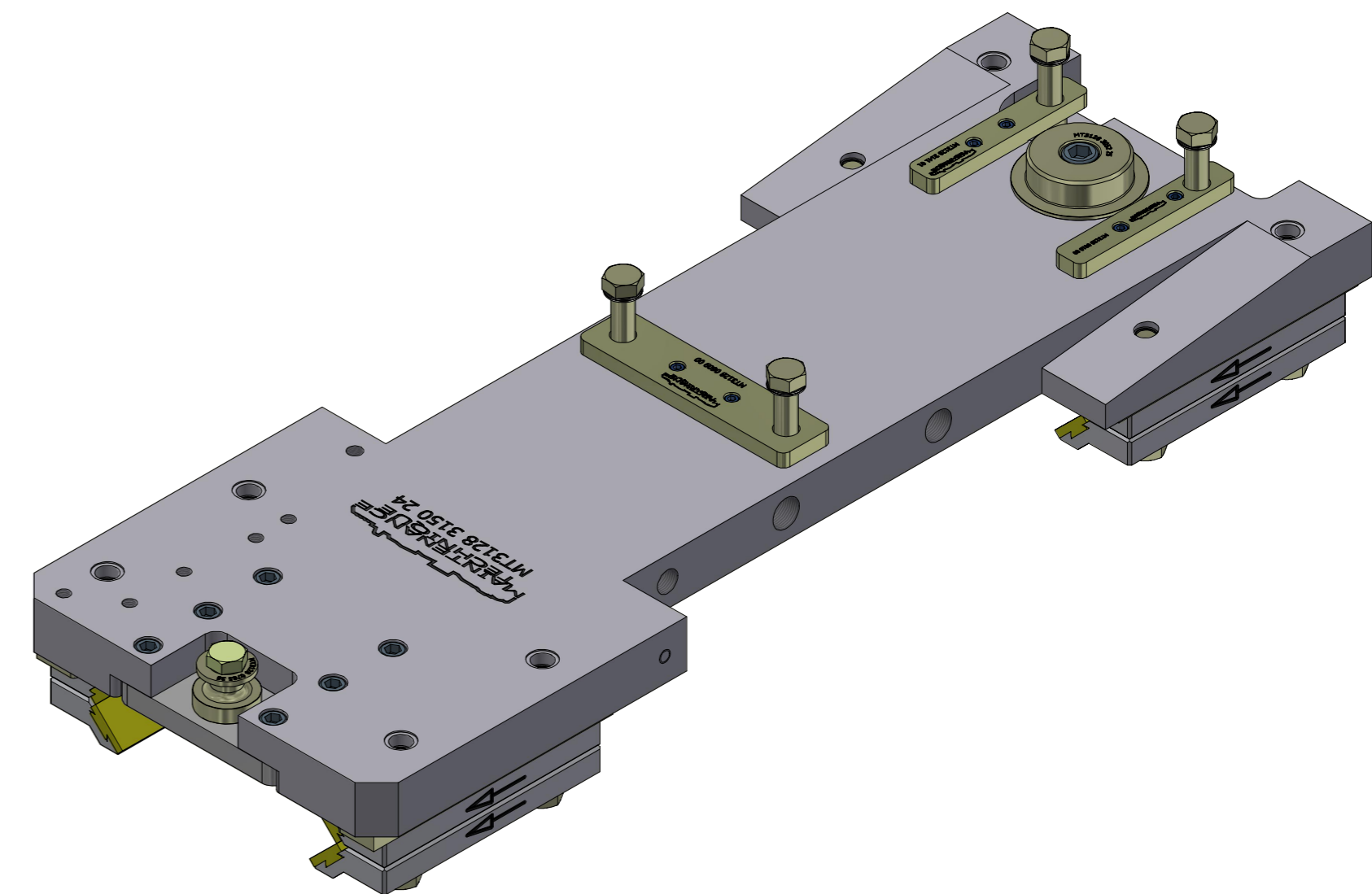
MT3128 3141 05C  
HOSE REEL COMPLETE

SOLD SEPARATE (21)


PART NUMBER <b>MT3128 3141 08</b>	DESCRIPTION <b>CRADLE SET - REAR</b>
	
<p>MT Parts: 0407 059 610          1 Haehy Circuit, Roseworthy S.A. 5371          171 Dugan Street, Kalgoorlie W.A. 6430</p> <p><a href="mailto:parts@mtunderground.com">parts@mtunderground.com</a> <small>PAGE</small>  <a href="http://www.mtunderground.com">www.mtunderground.com</a> <b>1.3</b></p>	




ITEM	PART NUMBER	DESCRIPTION	QTY	COMMENTS
1	MT3128 0609 00	SPACER	1	
2	MT3128 0610 00	SPACER	1	
3	MT3128 0619 00	SLIDE KEY	24	
4	MT3128 0785 35	SLEEVE	1	
5	MT3128 0785 36	WASHER	1	
6	MT3128 0785 48	SLIDE HOLDER RH	4	
7	MT3128 0785 49	SLIDE HOLDER LH	4	
8	MT3128 3039 30	NYLON SLIDE SOFT	8	Yellow
8.1	MT3128 3039 31	NYLON SLIDE MID	0	Blue
8.2	MT3128 3074 88	NYLON SLIDE HARD	0	Grey
9	MT3128 3051 49	ATTACHMENT	1	
10	MT3128 3052 25	DRIVER	1	
11	MT3128 3052 251	DRIVER EXTENSION	1	
12	MT3128 3141 01	SPACER	1	
13	MT3128 3141 02	SPACER	4	
14	MT3128 3150 24	CRADLE	1	Extractor
14.1	MT3128 3140 98	CRADLE SHORT	0	Non extractor
15	MT3128 3150 16T	THREAD SECTION	2	
16	MT3128 3150 24P	PLATE	1	Reversible
17	MT3128 3142 78BK	BOLT KIT	1	



PART NUMBER <b>MT3128 3150 25</b>	DESCRIPTION <b>CRADLE COMPLETE</b>
PART NUMBER <b>MT3128 3140 99</b>	DESCRIPTION <b>CRADLE SHORT COMPLETE</b>





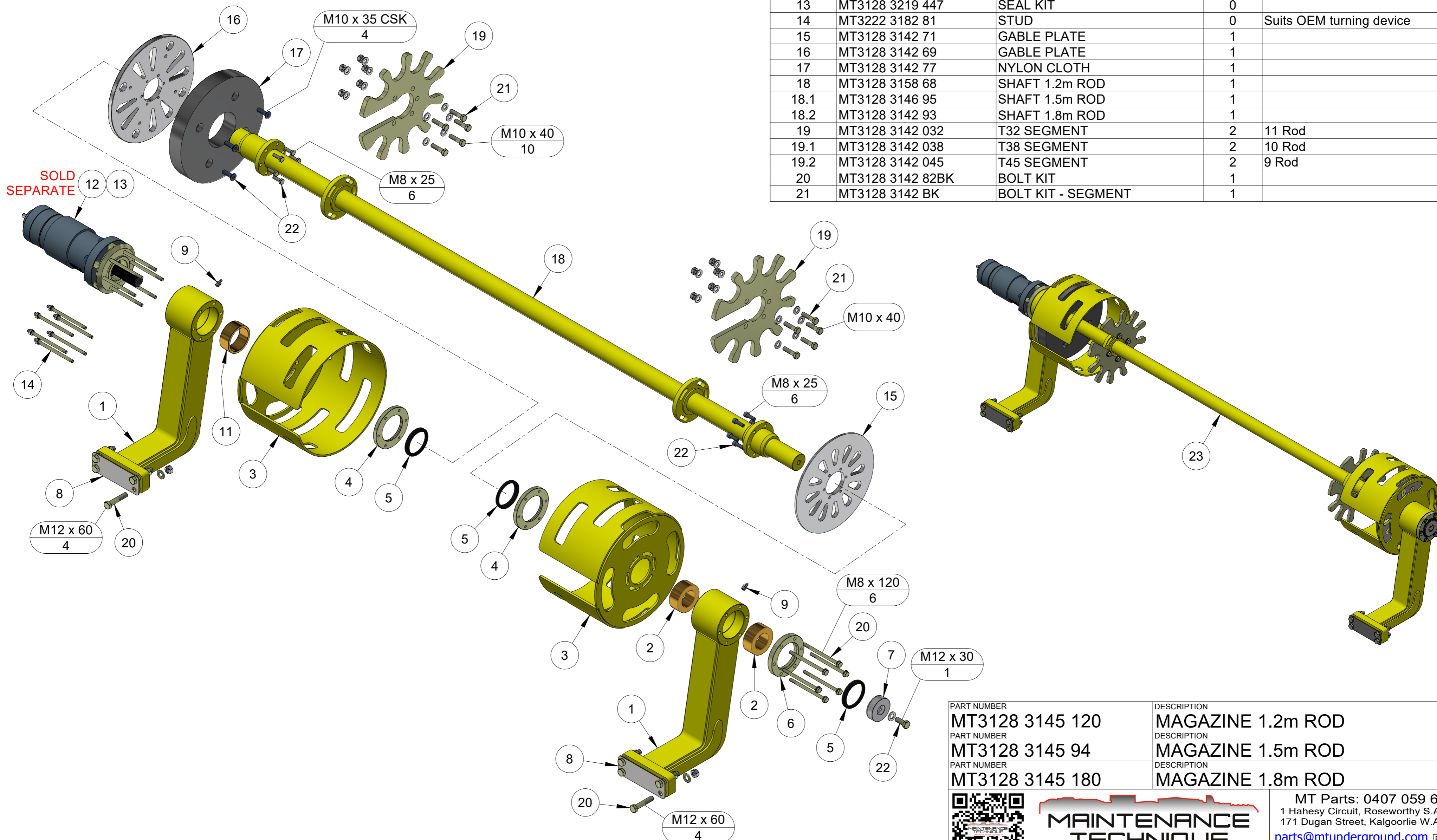
UNDERGROUND DRILL RELIABILITY

MT Parts: 0407 059 610  
1 Haesy Circuit, Roseworthy S.A. 5371  
171 Dugan Street, Kalgoorlie W.A. 6430  
[parts@mtunderground.com](mailto:parts@mtunderground.com)  
[www.mtunderground.com](http://www.mtunderground.com)

PAGE  
**1.4**

ITEM	PART NUMBER	DESCRIPTION	QTY	COMMENTS
22	MT3128 3146 95BK	BOLT KIT - SHAFT	1	
23	MT1132 RHS 512C	RHS11 T32 1.2M	1	1.2m with T32 segments
23.1	MT1038 RHS 512C	RHS10 T38 1.2M	1	1.2m with T38 segments
23.2	MT0945 RHS 512C	RHS09 T45 1.2M	1	1.2m with T45 segments
23.3	MT1132 RHS 515C	RHS11 T32 1.5M	1	1.5m with T32 segments
23.4	MT1038 RHS 515C	RHS10 T38 1.5M	1	1.5m with T38 segments
23.5	MT0945 RHS 515C	RHS09 T45 1.5M	1	1.5m with T45 segments
23.6	MT1132 RHS 518C	RHS11 T32 1.8M	1	1.8m with T32 segments
23.7	MT1038 RHS 518C	RHS10 T38 1.8M	1	1.8m with T38 segments
23.8	MT0945 RHS 518C	RHS09 T45 1.8M	1	1.8m with T45 segments

ITEM	PART NUMBER	DESCRIPTION	QTY	COMMENTS
1	MT3128 3142 85	BRACKET	2	
2	MT3128 2400 00	BUSHING	2	
3	MT3128 3142 91	PROTECTION	2	
4	MT3128 2398 00	RING	2	
5	MT0665 9100 16	WIPER	3	
6	MT3128 2401 00	RING	1	
7	MT3128 2401 00W	SEALING WASHER	1	
8	MT3128 3141 11	WASHER	2	
9	MT0544 2162 00	GREASE NIPPLE	2	
11	MT3128 2400 002	BUSHING	1	
12	MT3128 3219 443	TURNING DEVICE - MT HT UNIT	0	Includes bolts & adaptor
13	MT3128 3219 447	SEAL KIT	0	
14	MT3222 3182 81	STUD	0	Suits OEM turning device
15	MT3128 3142 71	GABLE PLATE	1	
16	MT3128 3142 69	GABLE PLATE	1	
17	MT3128 3142 77	NYLON CLOTH	1	
18	MT3128 3158 68	SHAFT 1.2m ROD	1	
18.1	MT3128 3146 95	SHAFT 1.5m ROD	1	
18.2	MT3128 3142 93	SHAFT 1.8m ROD	1	
19	MT3128 3142 032	T32 SEGMENT	2	11 Rod
19.1	MT3128 3142 038	T38 SEGMENT	2	10 Rod
19.2	MT3128 3142 045	T45 SEGMENT	2	9 Rod
20	MT3128 3142 82BK	BOLT KIT	1	
21	MT3128 3142 BK	BOLT KIT - SEGMENT	1	



PART NUMBER	DESCRIPTION
MT3128 3145 120	MAGAZINE 1.2m ROD
PART NUMBER	DESCRIPTION
MT3128 3145 94	MAGAZINE 1.5m ROD
PART NUMBER	DESCRIPTION
MT3128 3145 180	MAGAZINE 1.8m ROD



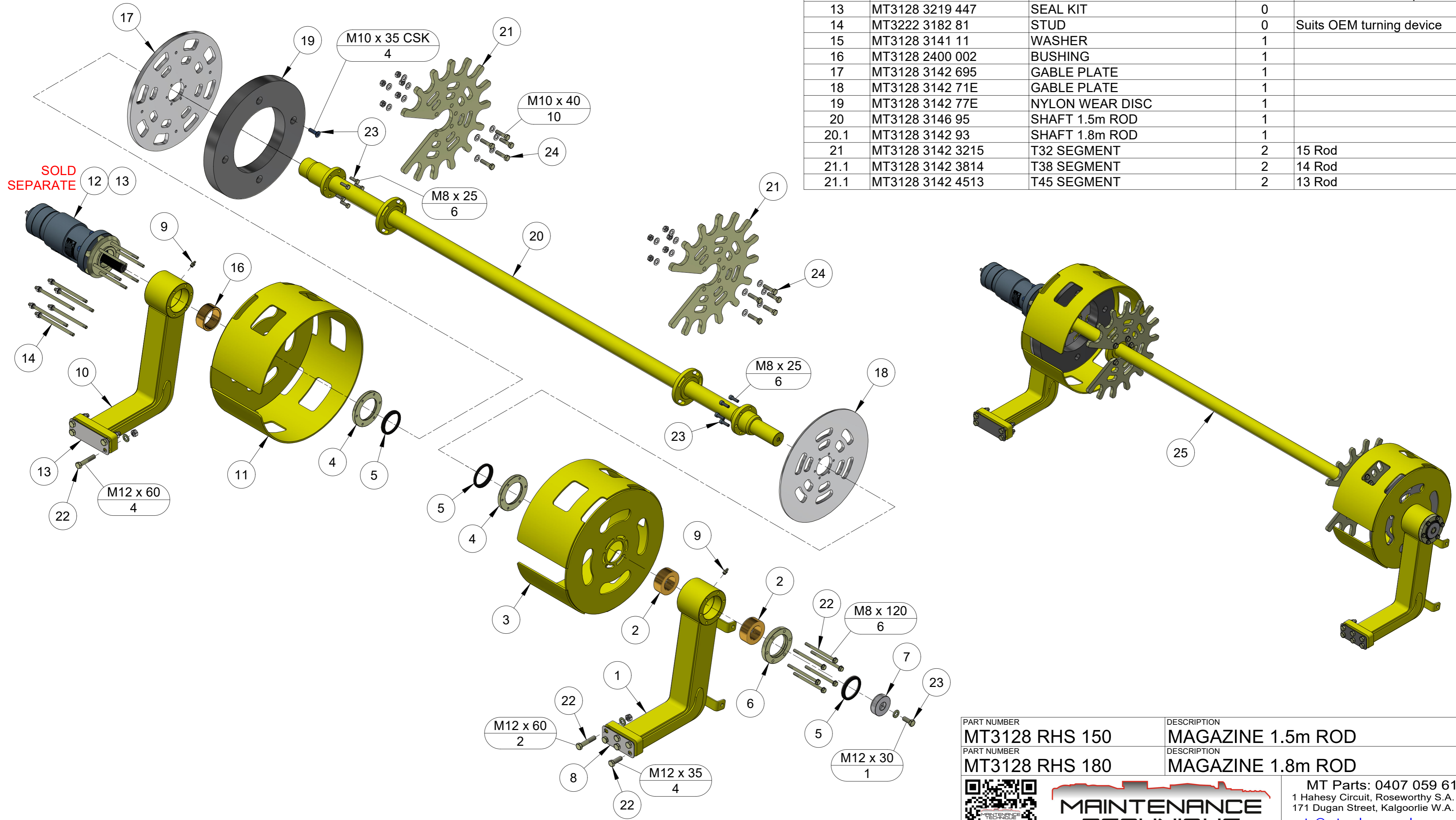
**MAINTENANCE  
TECHNIQUE**  
UNDERGROUND DRILL RELIABILITY

MT Parts: 0407 059 610  
1 Haesy Circuit, Roseworthy S.A. 5371  
171 Dugan Street, Kalgoorlie W.A. 6430  
[parts@mtunderground.com](mailto:parts@mtunderground.com)  
[www.mtunderground.com](http://www.mtunderground.com)


PAGE  
**1.5**


ITEM	PART NUMBER	DESCRIPTION	QTY	COMMENTS
22	MT3128 3142 82BK	BOLT KIT	1	
23	MT3128 3146 9EBK	BOLT KIT - SHAFT	1	
24	MT3128 3142 BK	BOLT KIT - SEGMENT	1	
25	MT1532 RHS 15C	RHS15 T32 1.5M	1	1.5m with T32 segments
25.1	MT1438 RHS 15C	RHS14 T38 1.5M	1	1.5m with T38 segments
25.2	MT1345 RHS 15C	RHS13 T45 1.5M	1	1.5m with T45 segments
25.3	MT1532 RHS 18C	RHS15 T32 1.8M	1	1.8m with T32 segments
25.4	MT1438 RHS 18C	RHS14 T38 1.8M	1	1.8m with T38 segments
25.5	MT1345 RHS 18C	RHS13 T45 1.8M	1	1.8m with T45 segments

ITEM	PART NUMBER	DESCRIPTION	QTY	COMMENTS
1	MT9111 4363 62E	BRACKET	1	
2	MT3128 2400 00	BUSHING	2	
3	MT3128 3142 91E	PROTECTION	1	
4	MT3128 2398 00	RING	2	
5	MT0665 9100 16	WIPER	3	
6	MT3128 2401 00	RING	1	
7	MT3128 2401 00W	SEALING WASHER	1	
8	MT9111 4363 62W	WASHER	2	
9	MT0544 2162 00	GREASE NIPPLE	2	
10	MT3128 3142 85E	BRACKET	1	
11	MT3128 3142 91F	PROTECTION	1	
12	MT3128 3219 443	TURNING DEVICE - MT HT UNIT	0	Includes bolts & adaptor
13	MT3128 3219 447	SEAL KIT	0	
14	MT3222 3182 81	STUD	0	Suits OEM turning device
15	MT3128 3141 11	WASHER	1	
16	MT3128 2400 002	BUSHING	1	
17	MT3128 3142 695	GABLE PLATE	1	
18	MT3128 3142 71E	GABLE PLATE	1	
19	MT3128 3142 77E	NYLON WEAR DISC	1	
20	MT3128 3146 95	SHAFT 1.5m ROD	1	
20.1	MT3128 3142 93	SHAFT 1.8m ROD	1	
21	MT3128 3142 3215	T32 SEGMENT	2	15 Rod
21.1	MT3128 3142 3814	T38 SEGMENT	2	14 Rod
21.1	MT3128 3142 4513	T45 SEGMENT	2	13 Rod



PART NUMBER <b>MT3128 RHS 150</b>	DESCRIPTION <b>MAGAZINE 1.5m ROD</b>
PART NUMBER <b>MT3128 RHS 180</b>	DESCRIPTION <b>MAGAZINE 1.8m ROD</b>



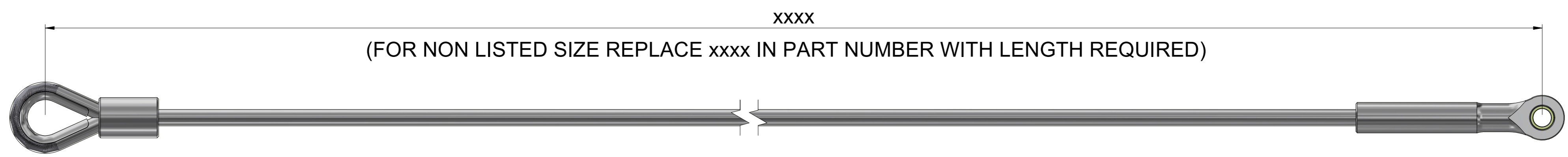


**MAINTENANCE  
TECHNIQUE**  
UNDERGROUND DRILL RELIABILITY

MT Parts: 0407 059 610  
1 Haehy Circuit, Roseworthy S.A. 5371  
171 Dugan Street, Kalgoorlie W.A. 6430  
[parts@mtunderground.com](mailto:parts@mtunderground.com)  
[www.mtunderground.com](http://www.mtunderground.com)

PAGE  
1.6

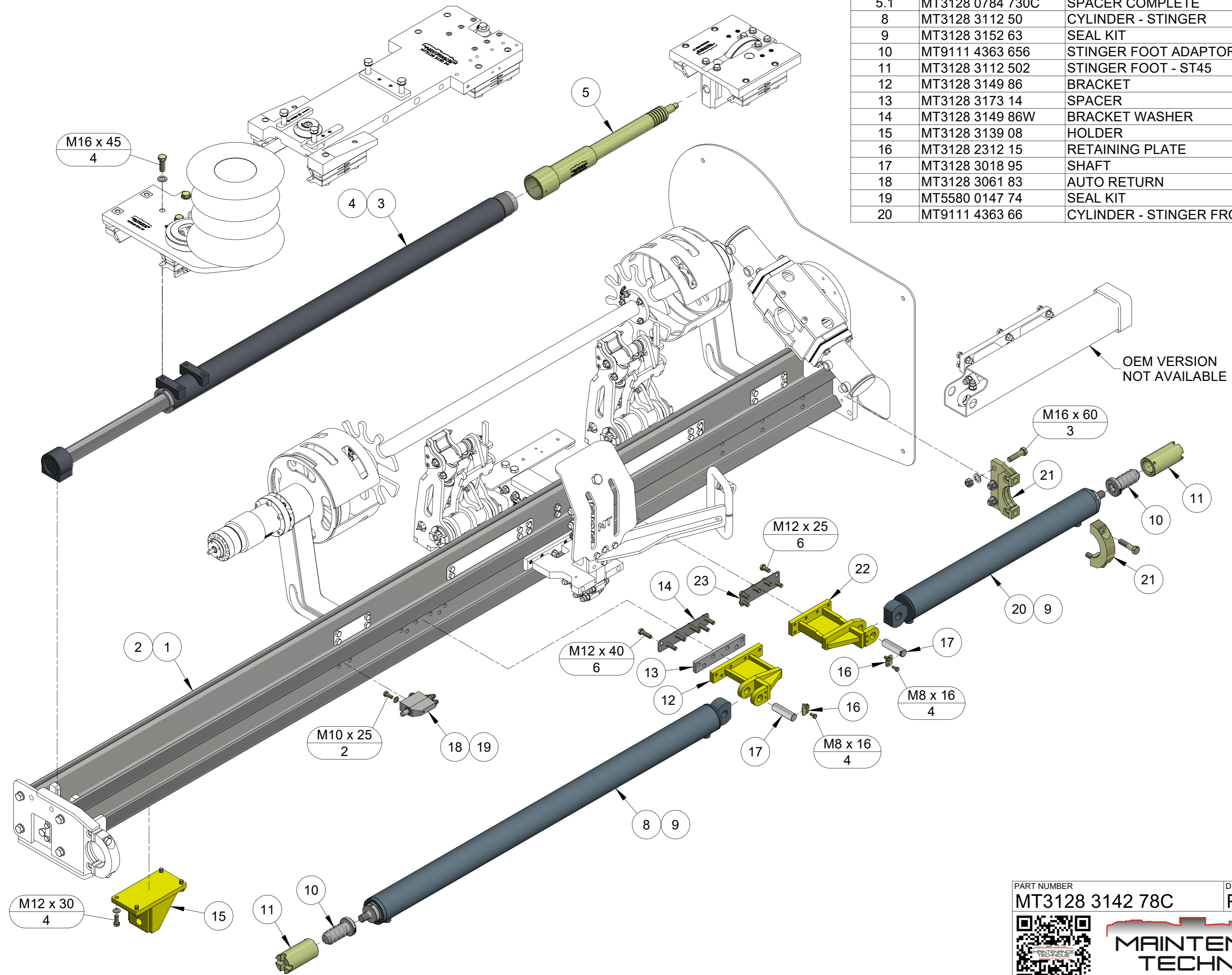
ITEM	PART NUMBER	DESCRIPTION	QTY	COMMENTS
1	MT1128 402F 2F	PULL ROPE - 2840	1	1.2 / 1.5 / 1.8m 1257 S7
2	MT1126 002F 2M	RETURN ROPE - 2600	1	1.5 / 1.8m 1257 S7
3	MT1122 002F 2M	RETURN ROPE - 2200	1	
4	MT1123 202F 2M	RETURN ROPE - 2320	1	1.2m
5	MT1129 002F 2F	PULL ROPE - 2900	1	1.5m
6	MT1126 602F 2M	RETURN ROPE - 2660	1	1.5m
7	MT1131 002F 2M	RETURN ROPE - 3100	1	
8	MT11xx xx2F 2F	PULL ROPE	1	
9	MT11xx xx2F 2M	RETURN ROPE	1	





PART NUMBER	DESCRIPTION	MT Parts: 0407 059 610 1 Hahey Circuit, Roseworthy S.A. 5371 171 Dugan Street, Kalgoorlie W.A. 6430
	<b>ROPES</b> <b>MAINTENANCE TECHNIQUE</b> UNDERGROUND DRILL RELIABILITY	<a href="mailto:parts@mtunderground.com">parts@mtunderground.com</a> <a href="http://www.mtunderground.com">www.mtunderground.com</a>
		PAGE <b>1.7</b>

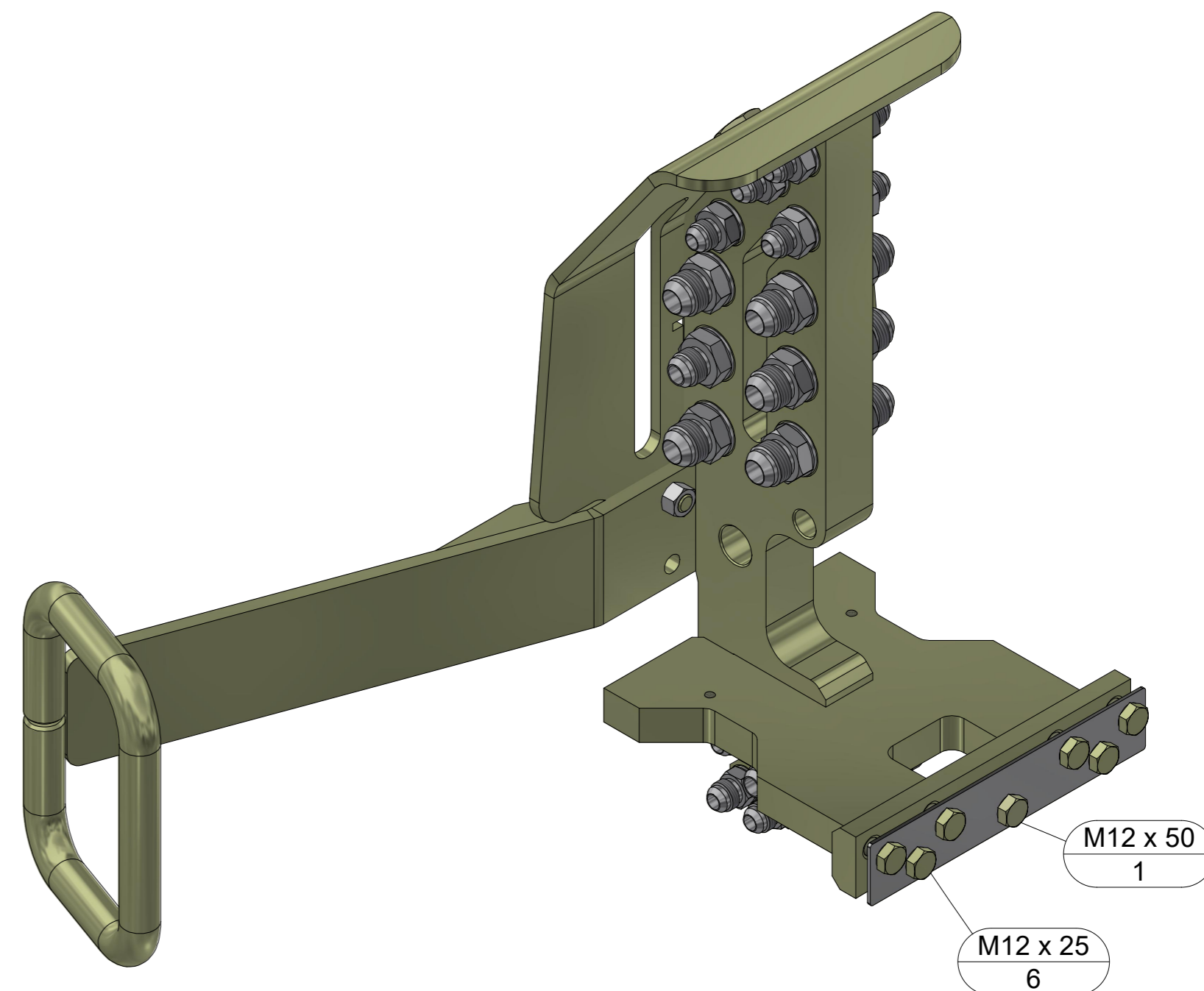
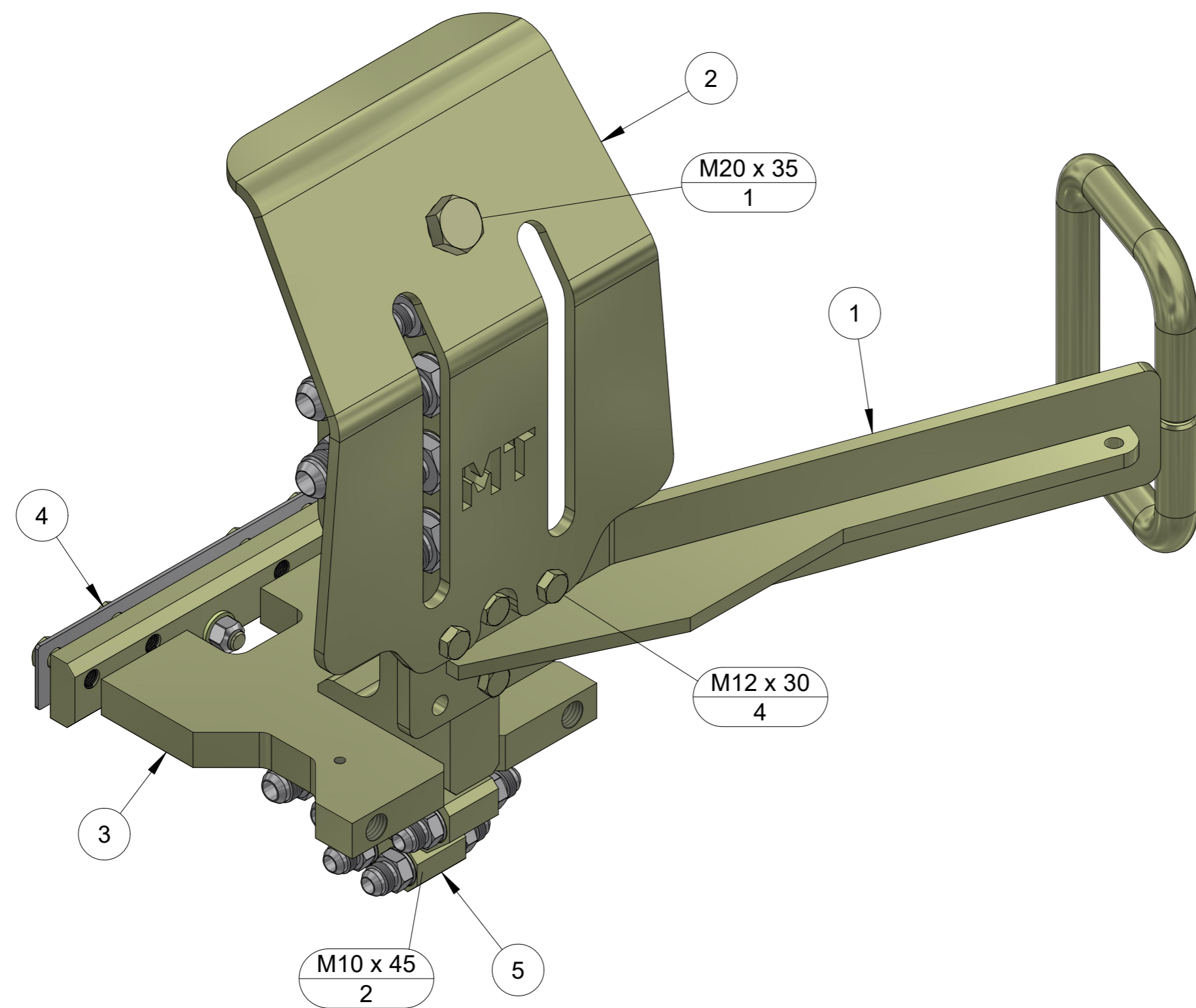
ITEM	PART NUMBER	DESCRIPTION	QTY	COMMENTS
21	MT9111 4104 201	ADAPTOR - STINGER CLAMP	1	
22	MT9111 4363 65	BRACKET - STINGER FRONT	1	
23	MT9111 4363 654	WASHER	1	

ITEM	PART NUMBER	DESCRIPTION	QTY	COMMENTS
1	MT3128 3158 073	FEED BEAM	1	Contact MT with machine specs.
2	MT3128 0458 10	CLIP-ON	4	
3	MT3128 3142 51	FEED CYLINDER	1	Service ex.
4	MT6060 0024 59	SEAL KIT	1	
5	MT3128 0784 580C	SPACER COMPLETE	1	
5.1	MT3128 0784 730C	SPACER COMPLETE	0	MUX option
8	MT3128 3112 50	CYLINDER - STINGER	1	
9	MT3128 3152 63	SEAL KIT	1	
10	MT9111 4363 656	STINGER FOOT ADAPTOR - ST45	0	Sold separate
11	MT3128 3112 502	STINGER FOOT - ST45	0	Sold separate
12	MT3128 3149 86	BRACKET	1	
13	MT3128 3173 14	SPACER	1	
14	MT3128 3149 86W	BRACKET WASHER	1	
15	MT3128 3139 08	HOLDER	1	
16	MT3128 2312 15	RETAINING PLATE	2	
17	MT3128 3018 95	SHAFT	2	
18	MT3128 3061 83	AUTO RETURN	1	
19	MT5580 0147 74	SEAL KIT	1	
20	MT9111 4363 66	CYLINDER - STINGER FRONT	1	



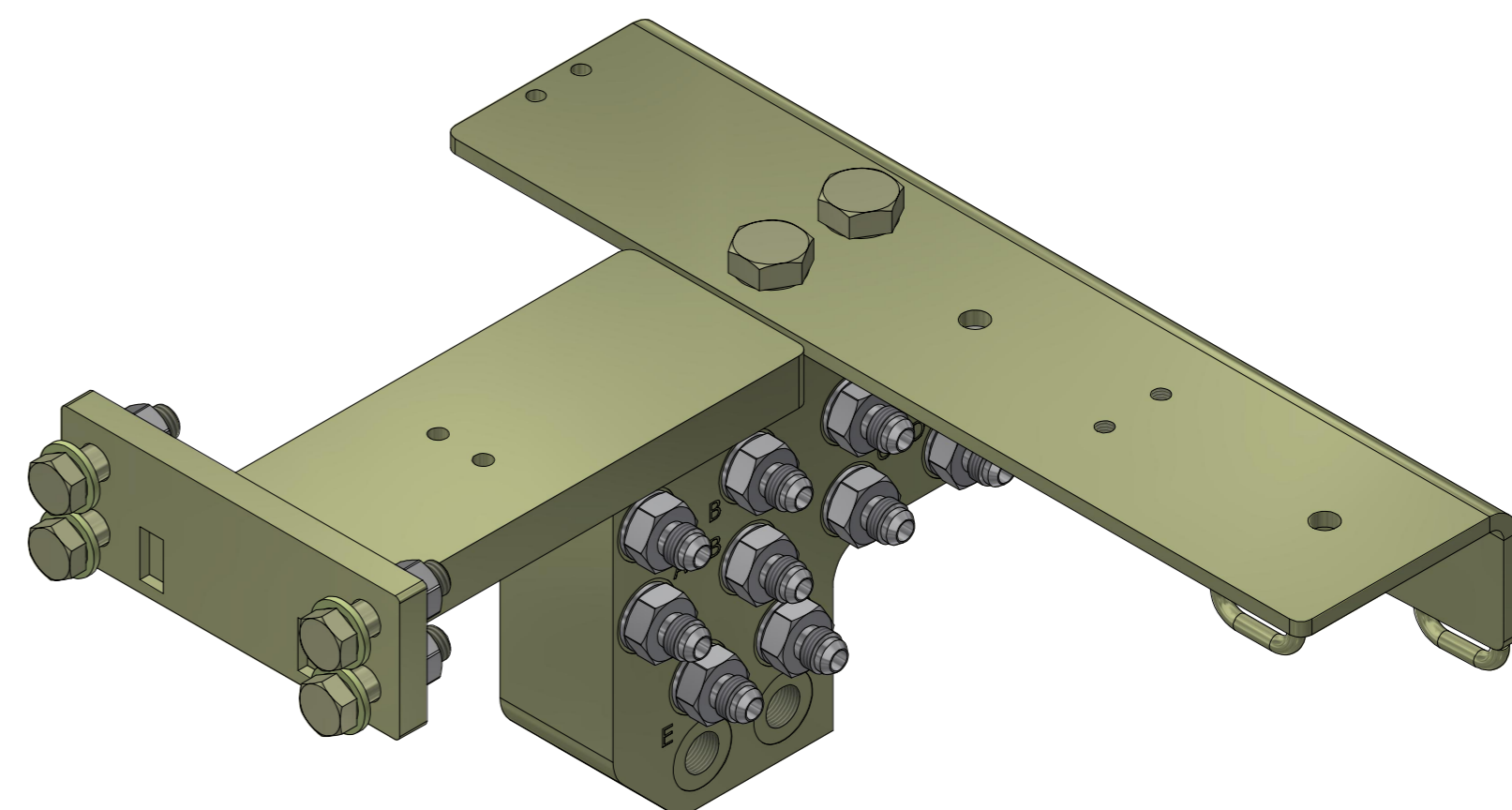
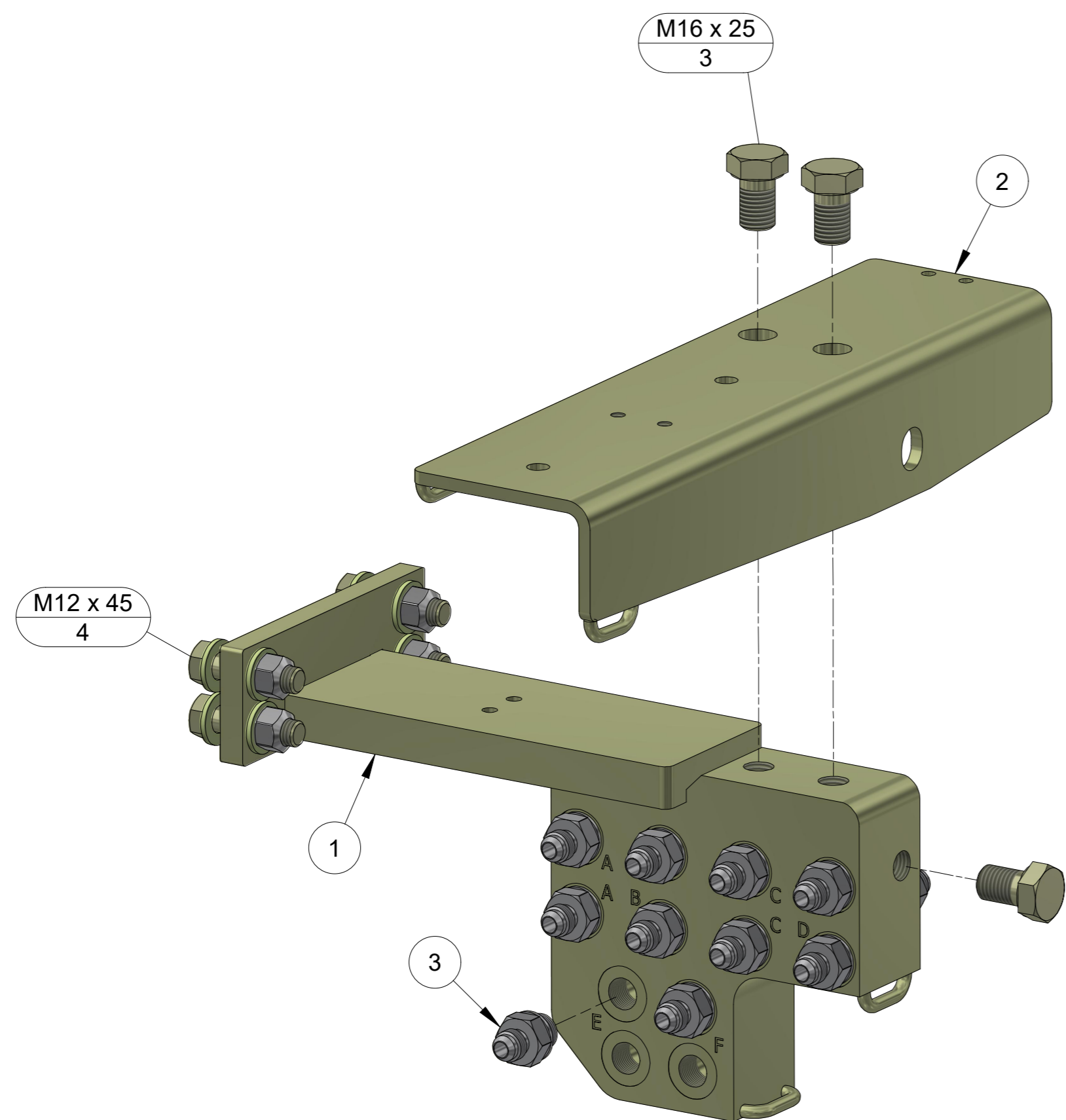
PART NUMBER <b>MT3128 3142 78C</b>	DESCRIPTION <b>PARTS</b>
	
<p>MT Parts: 0407 059 610          1 Haesy Circuit, Roseworthy S.A. 5371          171 Dugan Street, Kalgoorlie W.A. 6430</p> <p><a href="mailto:parts@mtunderground.com">parts@mtunderground.com</a> <small>PAGE</small>  <a href="http://www.mtunderground.com">www.mtunderground.com</a> <b>1.8</b></p>	

ITEM	PART NUMBER	DESCRIPTION	QTY	COMMENTS
1	MT3128 0715 00	HOSE GUIDE	1	
2	MT3128 3148 P8	PROTECTION	1	
3	MT3128 3148 H7	BULKHEAD	1	
4	MT3128 3073 04W	HOSE ATTACHMENT WASHER	1	
5	MT3128 3148 A7	ADDITIONAL BULKHEAD	1	
6	MT3128 3148 C7FC	COMPLETE FITTINGS KIT	1	Includes 32 x nipple
7	MT3128 3148 A8BK	BOLT KIT	1	



PART NUMBER <b>MT3128 3148 CA8</b>	DESCRIPTION <b>EXTENSION HOSE TREE</b>
	<p>MT Parts: 0407 059 610  1 Haehy Circuit, Roseworthy S.A. 5371  171 Dugan Street, Kalgoorlie W.A. 6430</p> <p><a href="mailto:parts@mtunderground.com">parts@mtunderground.com</a>  <a href="http://www.mtunderground.com">www.mtunderground.com</a></p>
 <p><b>MAINTENANCE TECHNIQUE</b> UNDERGROUND DRILL RELIABILITY</p>	
PAGE <b>1.9</b>	

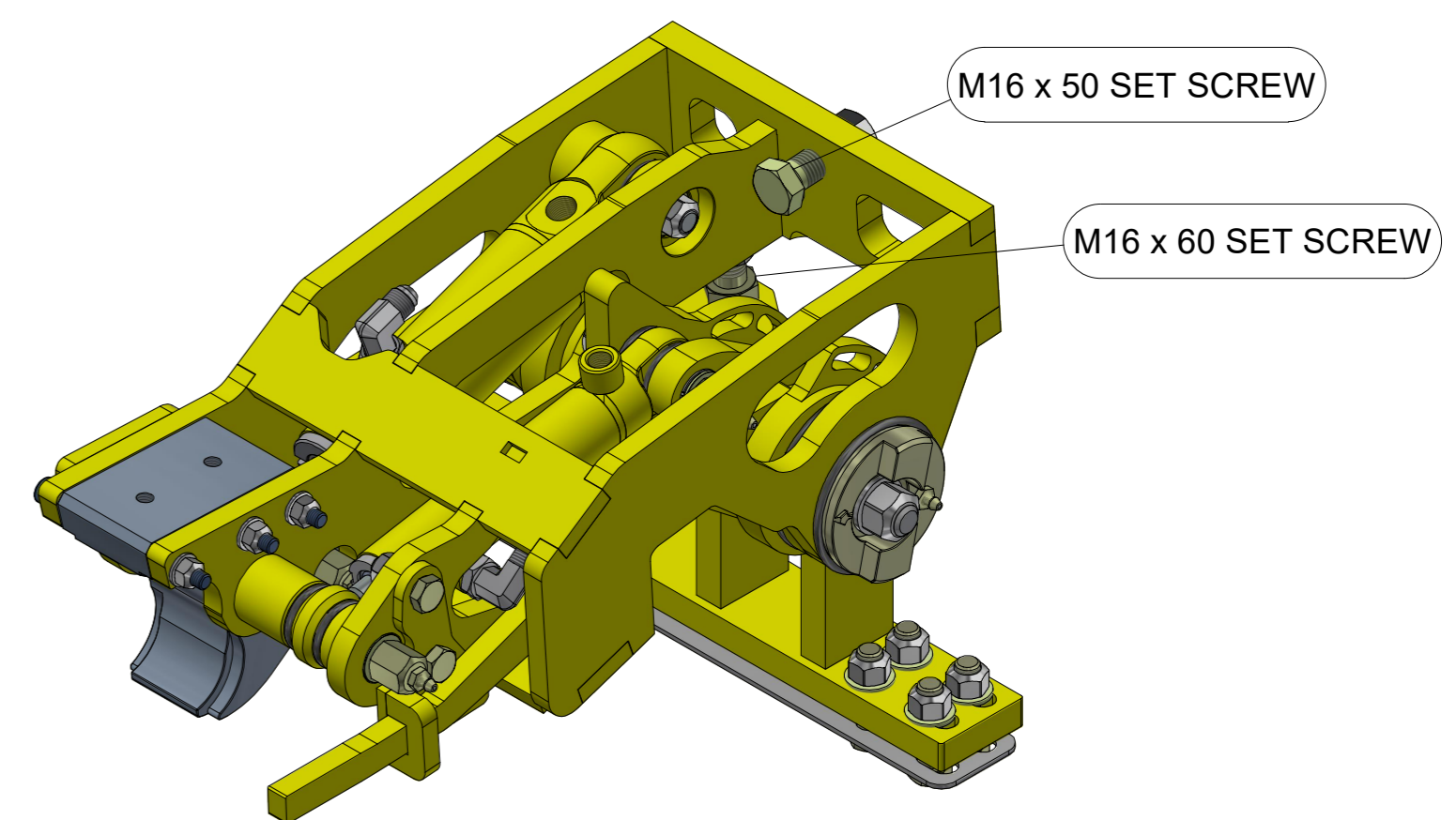
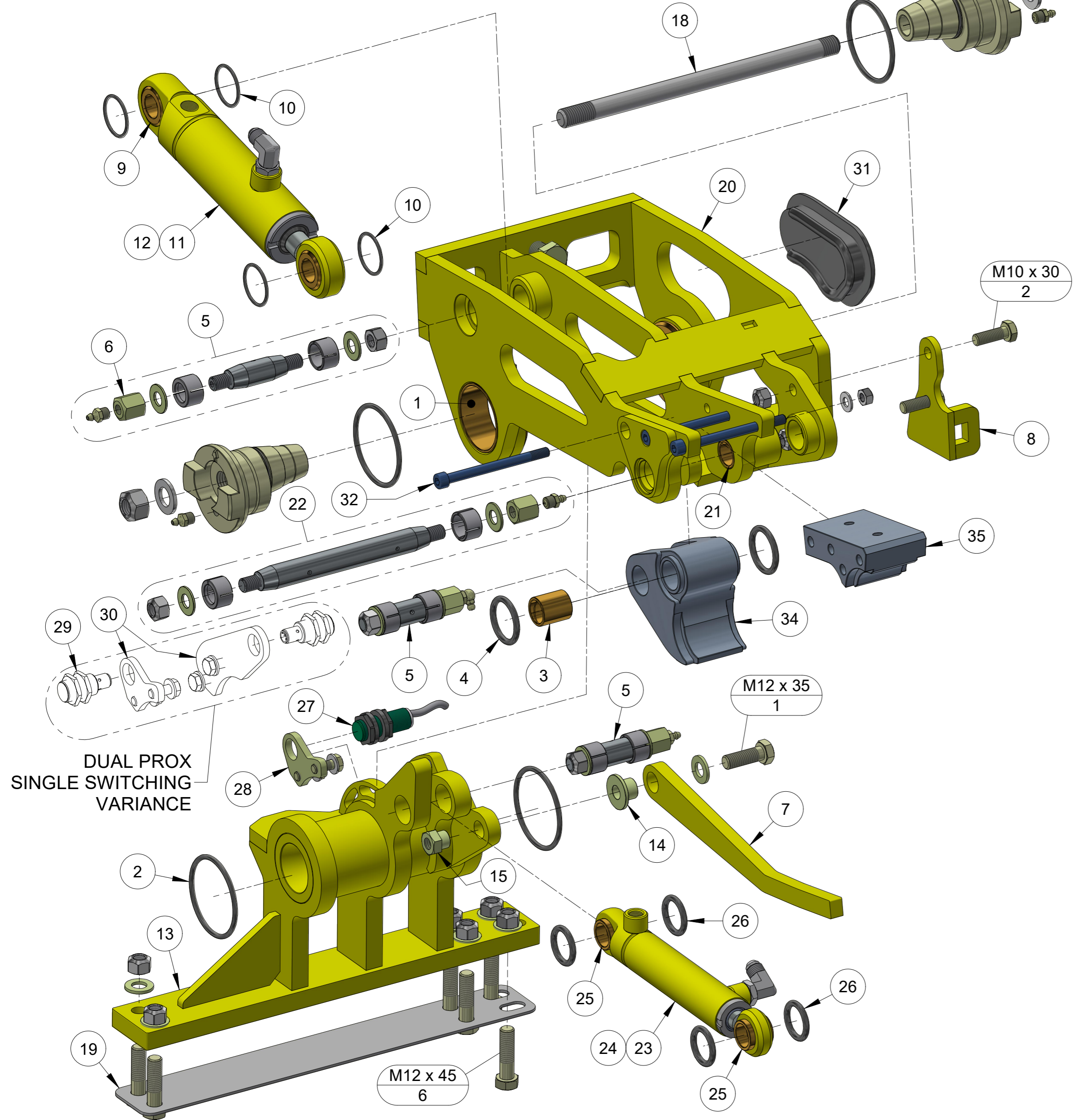
ITEM	PART NUMBER	DESCRIPTION	QTY	COMMENTS
1	MT3128 3158 86	ROD HANDLER HOSE TREE BASE	1	
2	MT3128 3158 86P	ROD HANDLER HOSE TREE COVER	1	
3	MT3128 3158 FK	FITTING KIT	1	Includes 16 x nipple
4	MT3128 3158 86BK	BOLT KIT	1	




PART NUMBER	MT3128 3158 86C	DESCRIPTION	ROD HANDLER HOSE TREE
			
		MT Parts: 0407 059 610 1 Hahey Circuit, Roseworthy S.A. 5371 171 Dugan Street, Kalgoorlie W.A. 6430 <a href="mailto:parts@mtunderground.com">parts@mtunderground.com</a> <a href="http://www.mtunderground.com">www.mtunderground.com</a>	
			PAGE 1.10


Gripper Jaws				
ITEM	PART NUMBER	DESCRIPTION	QTY	COMMENTS
34	MT3128 2403 0032	JAW - SWING	1	32 Dia
34.1	MT3128 2403 0038	JAW - SWING	1	38 Dia
34.2	MT3128 2403 0045	JAW - SWING	1	45 Dia
35	MT3128 2407 0032	JAW	1	32 Dia
35.1	MT3128 2407 0138	JAW	1	38 Dia
35.2	MT3128 2407 0245	JAW	1	45 Dia

ITEM	PART NUMBER	DESCRIPTION	QTY	COMMENTS
1	MT0500 4500 24E	FLANGE BUSHING	2	
2	MT0500 4500 24O	O-RING	4	
3	MT0500 4500 61E	BUSH	2	
4	MT0500 4500 61O	O-RING	2	
5	MT3128 2405 00E	SHAFT	3	Includes 1/8 BSPT nipple
6	MT3128 2405 00N	NUT ADAPTOR	0	Included with shafts
7	MT3128 2427 08E	RETAINER ARM	1	
8	MT3128 2427 14E	ATTACHMENT	1	
9	MT3128 3093 85	BUSH	2	
10	MT3128 3093 85O	O-RING	4	
11	MT3128 3093 86	CLAMP CYLINDER	1	Gripper arm
12	MT3128 3093 86SK	SEAL KIT	1	
13	MT3128 3142 84E	BRACKET	1	
14	MT3128 3143 27E	SHAFT	1	
15	MT3128 3143 27N	NUT	1	
16	MT3128 3143 55E	SHAFT	2	Includes 1/8 BSPT nipple
17	MT3128 3143 55O	O-RING	2	
18	MT3128 3146 99E	RETAINER	1	Includes nuts
19	MT3128 3146 99E	WASHER	1	
20	MT3222 3018 40E	ARM	1	
21	MT3222 3062 27B	BUSH	1	
22	MT3222 3062 27E	SHAFT	1	Includes 1/8 BSPT nipple
23	MT3222 3139 591	SWING CYLINDER	1	Swing
24	MT3222 3139 59SK	SEAL KIT	1	
25	MT3222 3139 59B	BUSH	2	
26	MT3222 3139 59O	O-RING	4	
27	MT3222 1488 083	GRIPPER PROX SENSOR	0	1300mm IP69 sold separate
28	MT3128 3142 782	SINGLE SENSOR BRKT SET	1	Single prox system
29	MT3222 1488 08	INDUCTIVE SENSOR	0	Dual prox system sold separate
30	MT3128 3142 781	SENSOR BRKT SET	1	Dual prox system
31	MT3128 3142 BP	SENSOR COVER	1	
32	MT0211 1960 79	BOLT	3	M8x110 SHCS
33	MT3128 3142 7CBK	BOLT KIT	1	



PART NUMBER	DESCRIPTION
MT3128 3142 7C32	ARM COMPLETE (includes Jaws)
PART NUMBER	DESCRIPTION
MT3128 3142 7C38	ARM COMPLETE (includes Jaws)
PART NUMBER	DESCRIPTION
MT3128 3142 7C45	ARM COMPLETE (includes Jaws)





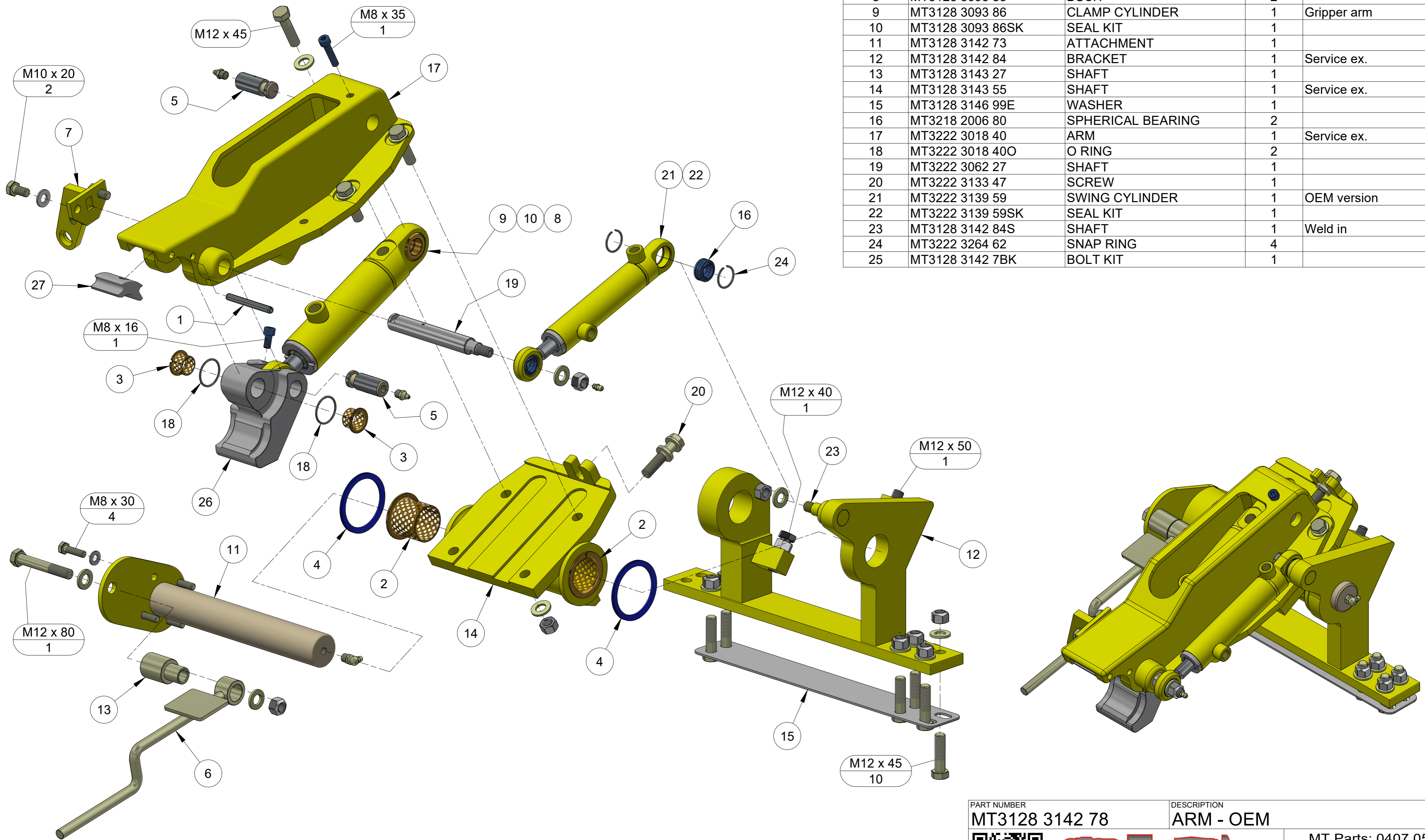
UNDERGROUND DRILL RELIABILITY

MT Parts: 0407 059 610  
1 Haesy Circuit, Roseworthy S.A. 5371  
171 Dugan Street, Kalgoorlie W.A. 6430  
[parts@mtunderground.com](mailto:parts@mtunderground.com)  
[www.mtunderground.com](http://www.mtunderground.com)

PAGE 1.11

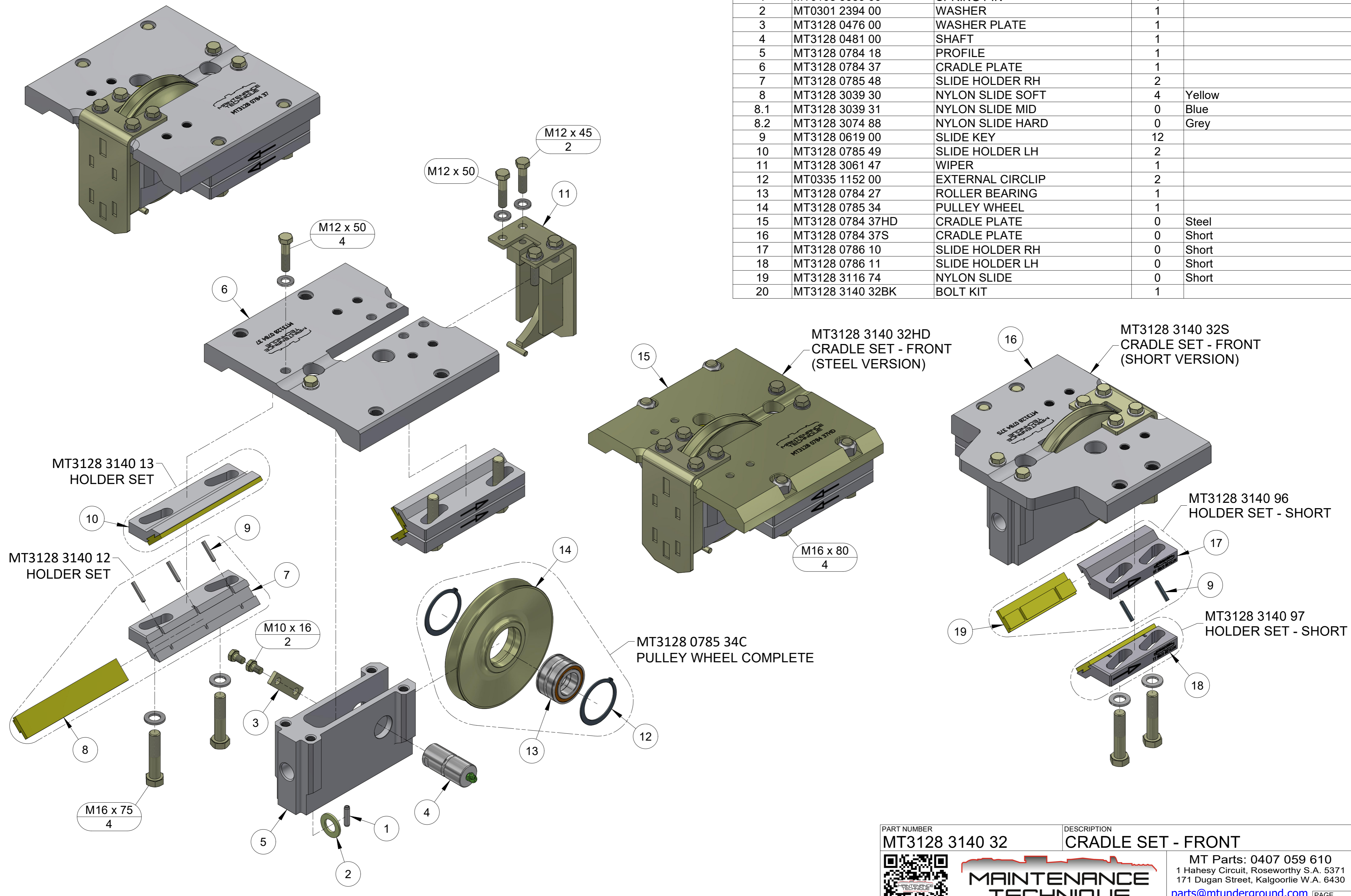
Gripper Jaws				
ITEM	PART NUMBER	DESCRIPTION	QTY	COMMENTS
26	MT3128 2403 038	JAW - SWING	1	38 Dia
26.1	MT3128 2403 045	JAW - SWING	1	45 Dia
27	MT3128 2407 01	JAW	1	38 Dia
27.1	MT3128 2407 02	JAW	1	45 Dia



ITEM	PART NUMBER	DESCRIPTION	QTY	COMMENTS
1	MT0108 1366 00	SPRING PIN	2	
2	MT0500 4500 24	BUSH	2	
3	MT0500 4500 61	BUSH	2	
4	MT0666 8001 04	V-RING SEAL	2	
5	MT3128 2405 00	SHAFT	2	
6	MT3128 2427 08	ARM	1	
7	MT3128 2527 13	BRACKET	1	
8	MT3128 3093 85	BUSH	2	
9	MT3128 3093 86	CLAMP CYLINDER	1	Gripper arm
10	MT3128 3093 86SK	SEAL KIT	1	
11	MT3128 3142 73	ATTACHMENT	1	
12	MT3128 3142 84	BRACKET	1	Service ex.
13	MT3128 3143 27	SHAFT	1	
14	MT3128 3143 55	SHAFT	1	Service ex.
15	MT3128 3146 99E	WASHER	1	
16	MT3218 2006 80	SPHERICAL BEARING	2	
17	MT3222 3018 40	ARM	1	Service ex.
18	MT3222 3018 40O	O RING	2	
19	MT3222 3062 27	SHAFT	1	
20	MT3222 3133 47	SCREW	1	
21	MT3222 3139 59	SWING CYLINDER	1	OEM version
22	MT3222 3139 59SK	SEAL KIT	1	
23	MT3128 3142 84S	SHAFT	1	Weld in
24	MT3222 3264 62	SNAP RING	4	
25	MT3128 3142 7BK	BOLT KIT	1	



PART NUMBER <b>MT3128 3142 78</b>	DESCRIPTION <b>ARM - OEM</b>
	
MT Parts: 0407 059 610 1 Haesy Circuit, Roseworthy S.A. 5371 171 Dugan Street, Kalgoorlie W.A. 6430 <a href="mailto:parts@mtunderground.com">parts@mtunderground.com</a> <small>PAGE</small> <a href="http://www.mtunderground.com">www.mtunderground.com</a> <b>1.12</b>	

ITEM	PART NUMBER	DESCRIPTION	QTY	COMMENTS
1	MT0108 3359 00	SPRING PIN	1	
2	MT0301 2394 00	WASHER	1	
3	MT3128 0476 00	WASHER PLATE	1	
4	MT3128 0481 00	SHAFT	1	
5	MT3128 0784 18	PROFILE	1	
6	MT3128 0784 37	CRADLE PLATE	1	
7	MT3128 0785 48	SLIDE HOLDER RH	2	
8	MT3128 3039 30	NYLON SLIDE SOFT	4	Yellow
8.1	MT3128 3039 31	NYLON SLIDE MID	0	Blue
8.2	MT3128 3074 88	NYLON SLIDE HARD	0	Grey
9	MT3128 0619 00	SLIDE KEY	12	
10	MT3128 0785 49	SLIDE HOLDER LH	2	
11	MT3128 3061 47	WIPER	1	
12	MT0335 1152 00	EXTERNAL CIRCLIP	2	
13	MT3128 0784 27	ROLLER BEARING	1	
14	MT3128 0785 34	PULLEY WHEEL	1	
15	MT3128 0784 37HD	CRADLE PLATE	0	Steel
16	MT3128 0784 37S	CRADLE PLATE	0	Short
17	MT3128 0786 10	SLIDE HOLDER RH	0	Short
18	MT3128 0786 11	SLIDE HOLDER LH	0	Short
19	MT3128 3116 74	NYLON SLIDE	0	Short
20	MT3128 3140 32BK	BOLT KIT	1	



PART NUMBER <b>MT3128 3140 32</b>	DESCRIPTION <b>CRADLE SET - FRONT</b>
	
MT Parts: 0407 059 610 1 Haehy Circuit, Roseworthy S.A. 5371 171 Dugan Street, Kalgoorlie W.A. 6430 <a href="mailto:parts@mtunderground.com">parts@mtunderground.com</a> <a href="http://www.mtunderground.com">www.mtunderground.com</a>	
UNDERGROUND DRILL RELIABILITY	
PAGE <b>1.13</b>	

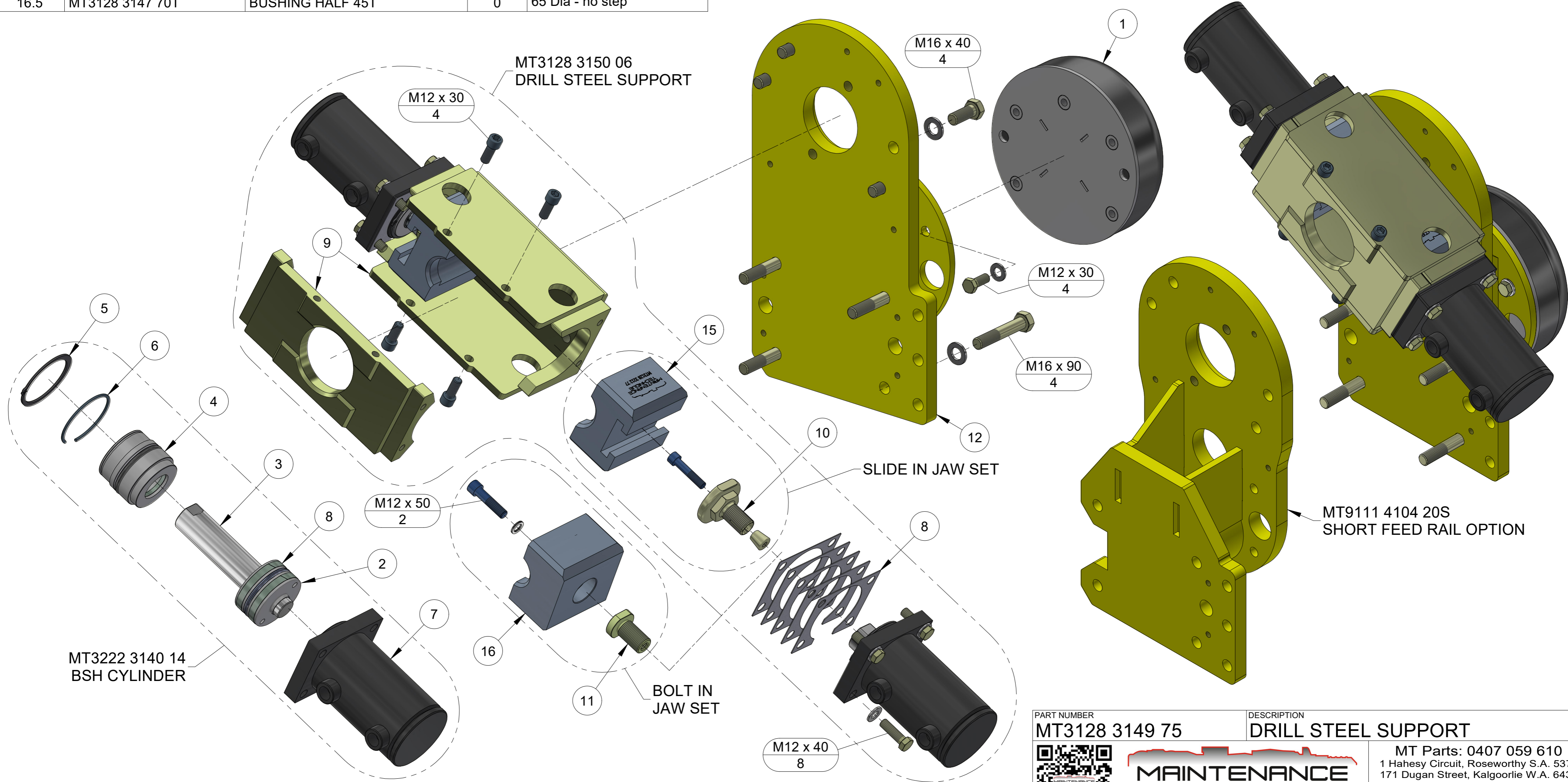
Gripper Jaw - Slide In

ITEM	PART NUMBER	DESCRIPTION	QTY	COMMENTS
15	MT3128 3213 09	BUSHING HALF 32	0	32 Dia
15.1	MT3128 3213 09T	BUSHING HALF 32T	0	32 Dia - no step
15.2	MT3128 3213 10	BUSHING HALF 38	0	38 Dia
15.3	MT3128 3213 10T	BUSHING HALF 38T	0	56 Dia - no step
15.4	MT3128 3212 77	BUSHING HALF 45	0	45 Dia
15.5	MT3128 3212 77T	BUSHING HALF 45T	0	65 Dia - no step

Gripper Jaw - Bolt In

ITEM	PART NUMBER	DESCRIPTION	QTY	COMMENTS
16	MT3128 3147 68	BUSHING HALF 32	0	32 Dia
16.1	MT3128 3147 68T	BUSHING HALF 32T	0	32 Dia - no step
16.2	MT3128 3147 69	BUSHING HALF 38	0	38 Dia
16.3	MT3128 3147 69T	BUSHING HALF 38T	0	56 Dia - no step
16.4	MT3128 3147 70	BUSHING HALF 45	0	45 Dia
16.5	MT3128 3147 70T	BUSHING HALF 45T	0	65 Dia - no step

ITEM	PART NUMBER	DESCRIPTION	QTY	COMMENTS
1	MT3125 0634 00	BUFFER - FRONT	1	
2	MT3128 3170 89	PISTON	2	
3	MT3222 3264 75	ROD	2	
4	MT3222 3264 76	BARREL NUT	2	
5	MT3222 3264 77	CIRCLIP	2	
6	MT3222 3264 78	RETAINING RING	2	
7	MT3222 3264 79	BARREL	2	
8	MT3128 3147 49	SHIM	10	
9	MT3128 3212 72	MOUNT	1	2 piece
10	MT3128 3212 7T	ADAPTER BSH	2	Inc. M10x50 SHCS
11	MT3128 3147 67	ADAPTER	0	
12	MT9111 4104 20	FRONT PLATE	1	
13	MT3128 3149 75BK	BOLT KIT	1	
14	MT3222 3143 98	SEAL KIT	1	BSH cylinder

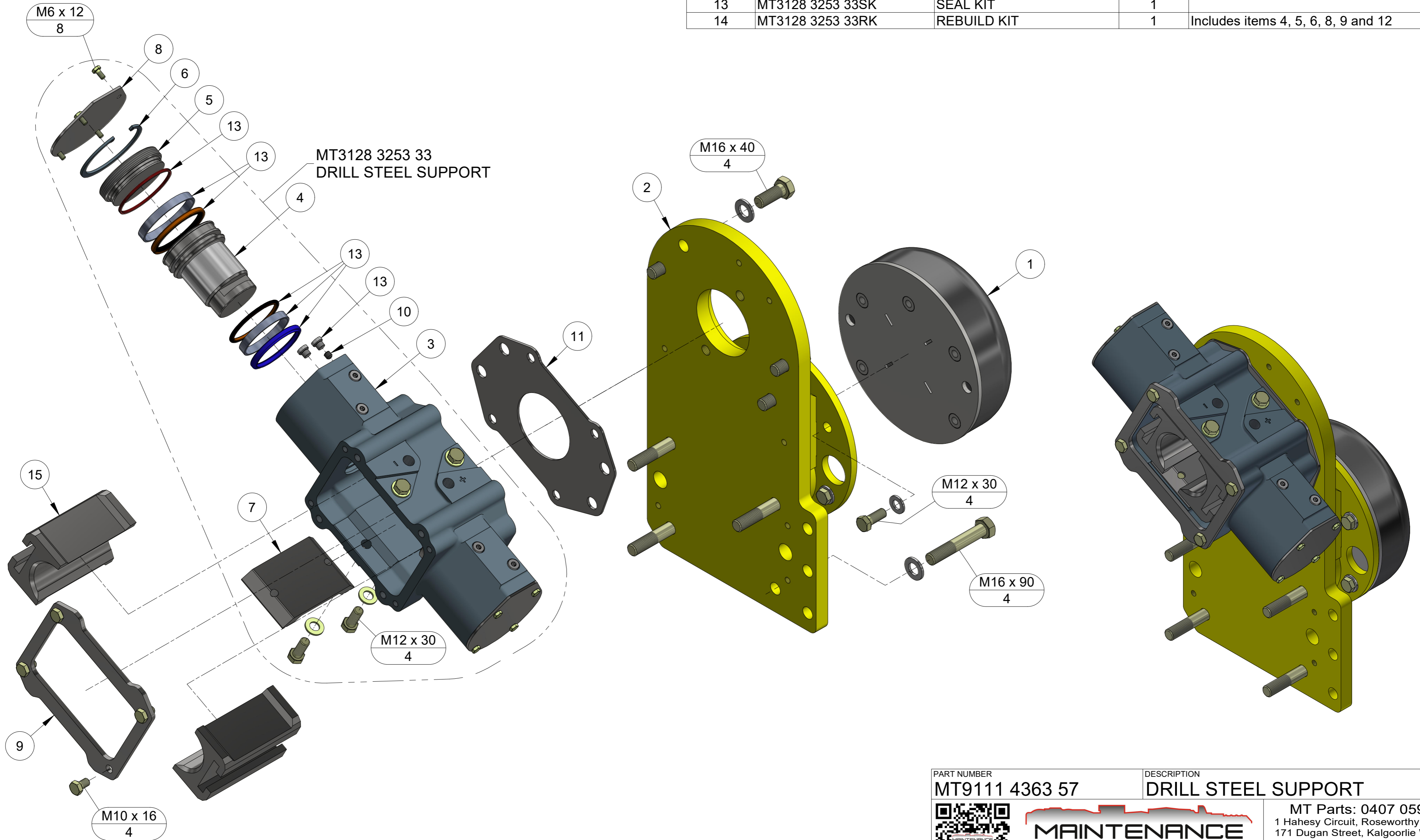


PART NUMBER <b>MT3128 3149 75</b>	DESCRIPTION <b>DRILL STEEL SUPPORT</b>
	<p>MT Parts: 0407 059 610                  1 Haehy Circuit, Roseworthy S.A. 5371                  171 Dugan Street, Kalgoorlie W.A. 6430</p> <p><a href="mailto:parts@mtunderground.com">parts@mtunderground.com</a> PAGE  <a href="http://www.mtunderground.com">www.mtunderground.com</a> 1.14</p>



Gripper Jaw				
ITEM	PART NUMBER	DESCRIPTION	QTY	COMMENTS
15	MT9111 0003 27	BUSHING HALF 32	0	32 Dia
15.1	MT9111 0003 27T	BUSHING HALF 32T	0	32 Dia - no step
15.2	MT3128 0002 51	BUSHING HALF 38	0	38 Dia
15.3	MT3128 0002 51T	BUSHING HALF 38T	0	56 Dia - no step
15.4	MT3128 0007 64	BUSHING HALF 45	0	45 Dia
15.5	MT3128 0007 64T	BUSHING HALF 45T	0	65 Dia - no step

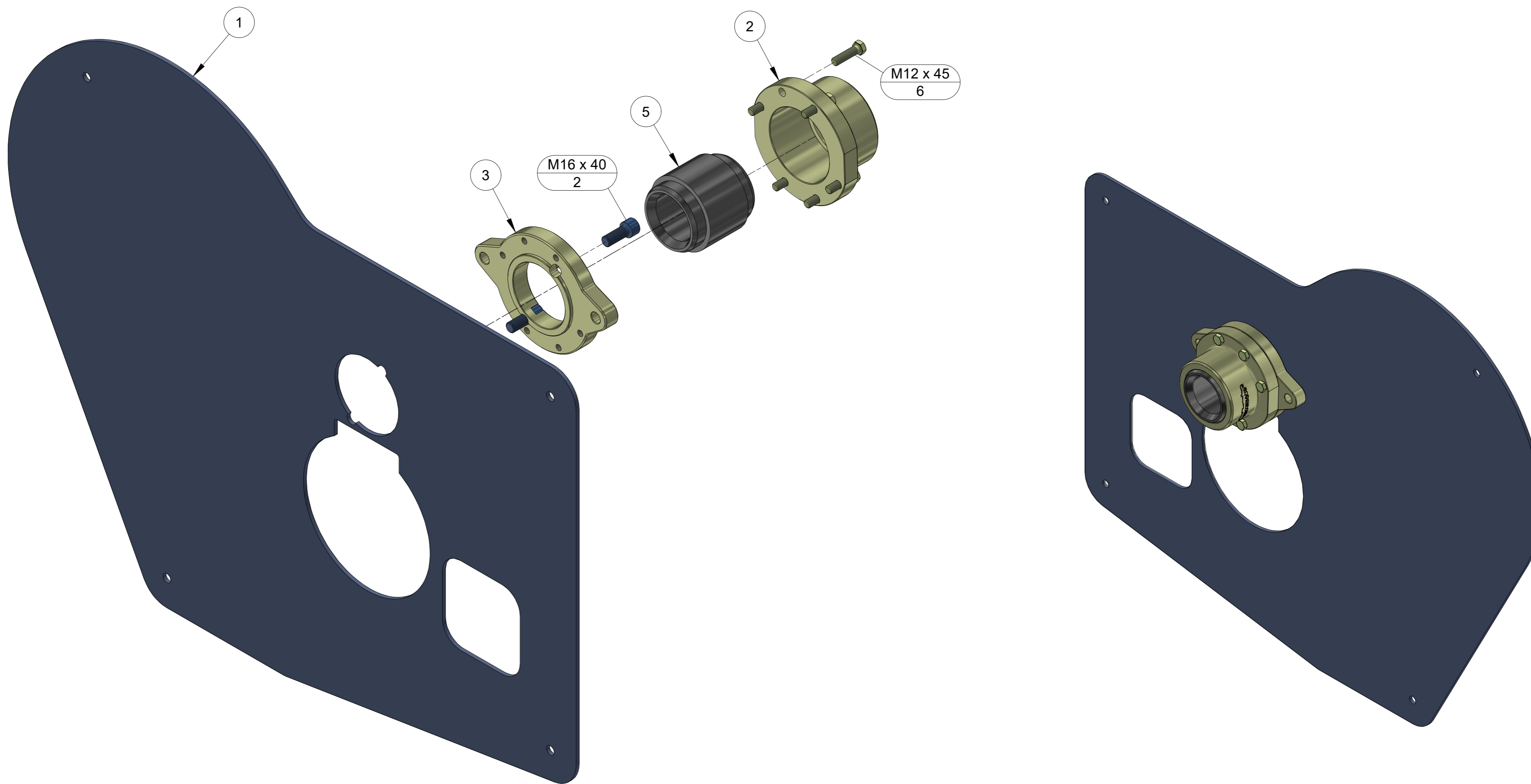
ITEM	PART NUMBER	DESCRIPTION	QTY	COMMENTS
1	MT3125 0634 00	BUFFER - FRONT	1	
2	MT9111 4104 20	FRONT PLATE (v02)	1	
3	MT3128 3253 34	HOUSING	1	
4	MT3128 0000 34	PISTON	2	
5	MT3128 3251 52	LID	2	
6	MT0335 2165 00	CIRCLIP	2	
7	MT3128 0000 36	WEAR PLATE	2	
8	MT3128 0002 53P	WEAR PLATE	2	
9	MT9111 4363 95P	PROTECT PLATE	1	
10	MT3115 1746 02	RESTRICTOR	2	D=1mm
11	MT3128 3257 46	SHIM	1	
12	MT9111 4363 57BK	BOLT KIT	1	
13	MT3128 3253 33SK	SEAL KIT	1	
14	MT3128 3253 33RK	REBUILD KIT	1	Includes items 4, 5, 6, 8, 9 and 12



PART NUMBER <b>MT9111 4363 57</b>	DESCRIPTION <b>DRILL STEEL SUPPORT</b>
	<p>MT Parts: 0407 059 610          1 Haesy Circuit, Roseworthy S.A. 5371          171 Dugan Street, Kalgoorlie W.A. 6430</p> <p><a href="mailto:parts@mtunderground.com">parts@mtunderground.com</a> PAGE  <a href="http://www.mtunderground.com">www.mtunderground.com</a> <b>1.15</b></p>
 <p><b>MAINTENANCE TECHNIQUE</b> UNDERGROUND DRILL RELIABILITY</p>	

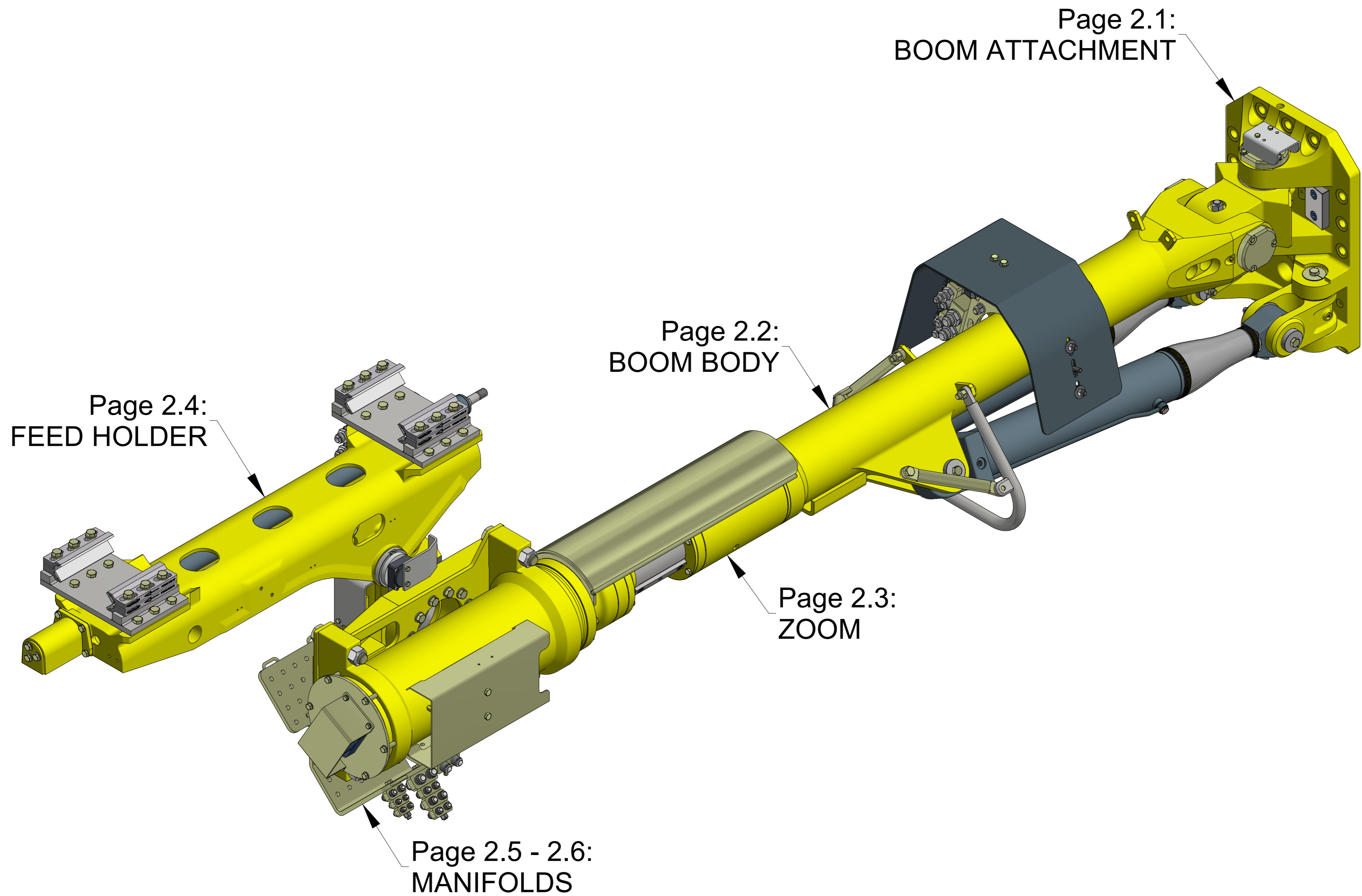
Guide Bush				
ITEM	PART NUMBER	DESCRIPTION	QTY	COMMENTS
5	MT3128 3146 32	GUIDE BUSH ST32	0	50 Dia
5.1	MT3128 3146 38	GUIDE BUSH ST38	0	60 Dia
5.2	MT3128 3146 45	GUIDE BUSH ST45	0	72 Dia
5.3	MT3128 3146 77	GUIDE BUSH 45/76	0	76 Dia guide tube

ITEM	PART NUMBER	DESCRIPTION	QTY	COMMENTS
1	MT3128 3149 PM	PROTECTION MAT 1257	1	
2	MT3128 3149 H1	HOUSING	1	
3	MT3128 3149 H2	HOUSING	1	
4	MT3128 3149 CABK	BOLT KIT	1	

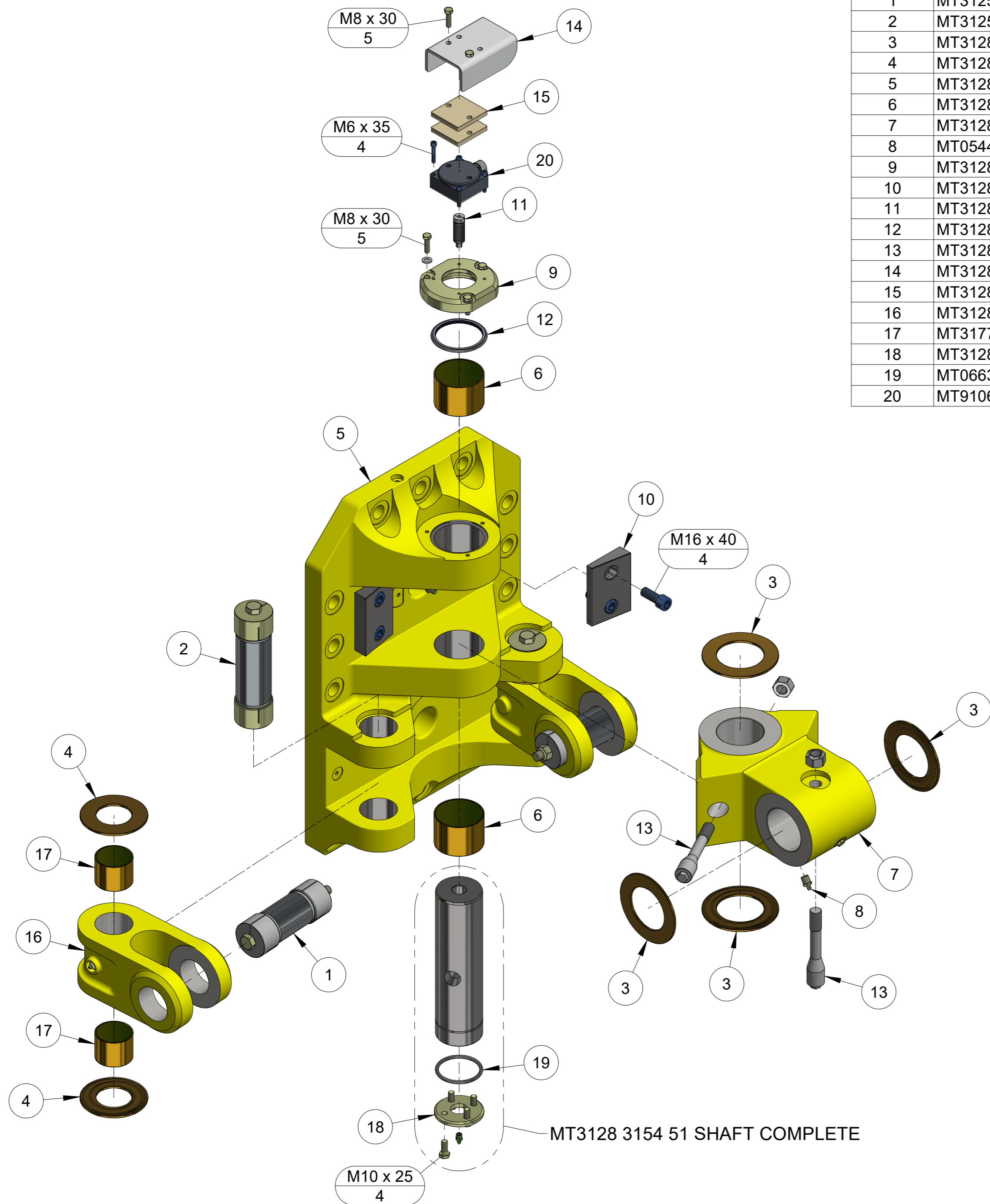


PART NUMBER <b>MT3128 3149 CA</b>	DESCRIPTION <b>CUTTINGS MAT / GUIDE SYSTEM</b>
	<b>MAINTENANCE TECHNIQUE</b> <small>UNDERGROUND DRILL RELIABILITY</small>
	MT Parts: 0407 059 610 1 Haehy Circuit, Roseworthy S.A. 5371 171 Dugan Street, Kalgoorlie W.A. 6430 <a href="mailto:parts@mtunderground.com">parts@mtunderground.com</a> <a href="http://www.mtunderground.com">www.mtunderground.com</a>
PAGE <b>1.16</b>	

SECTION 2: BOOM



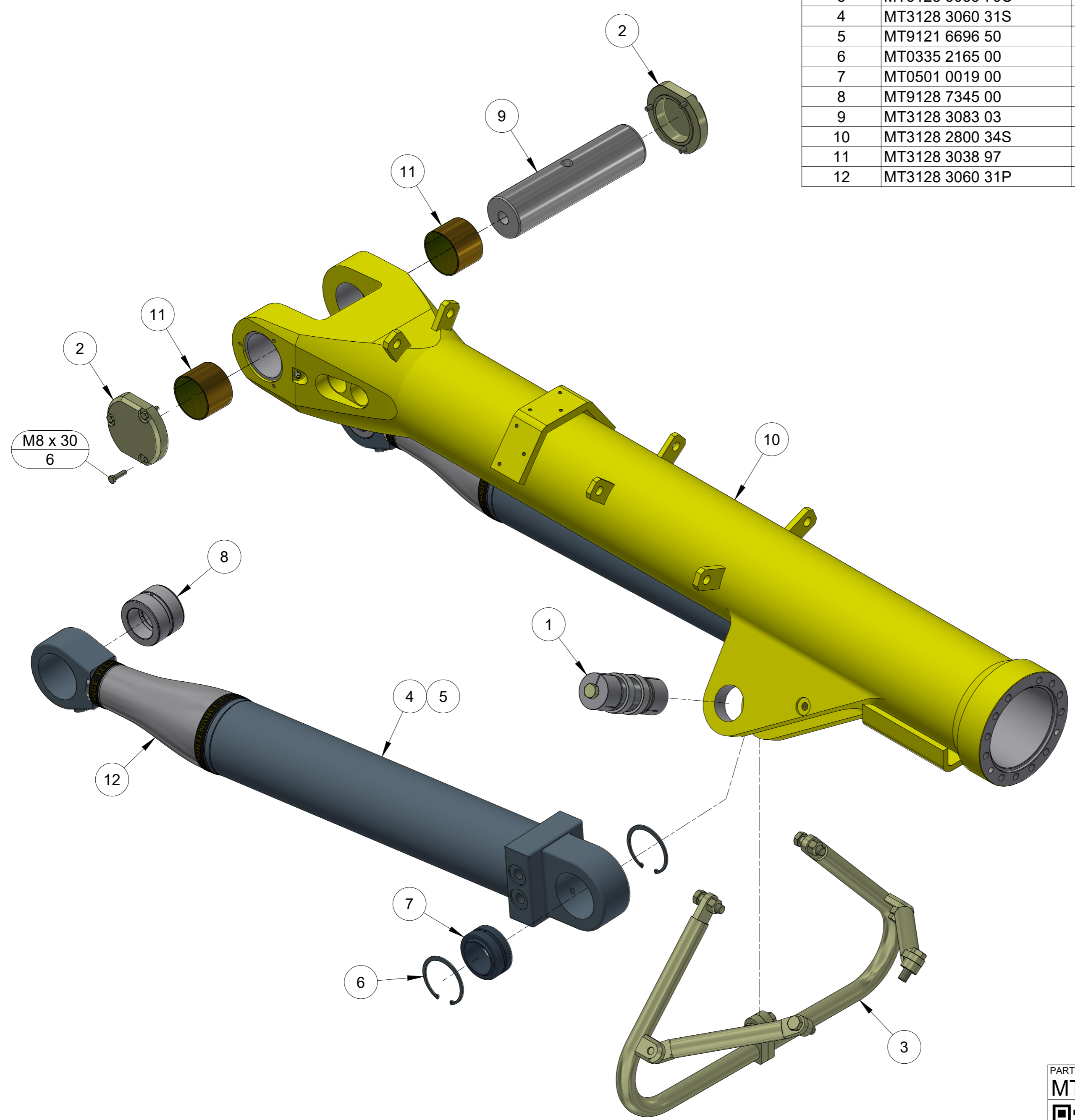
PART NUMBER	DESCRIPTION
MT3128 3179 98C	BOOM COMPLETE 1257
	MT Parts: 0407 059 610 1 Haesy Circuit, Roseworthy S.A. 5371 171 Dugan Street, Kalgoorlie W.A. 6430 <a href="mailto:parts@mtunderground.com">parts@mtunderground.com</a> <a href="http://www.mtunderground.com">www.mtunderground.com</a>
 <b>MAINTENANCE TECHNIQUE</b> UNDERGROUND DRILL RELIABILITY	



ITEM	PART NUMBER	DESCRIPTION	QTY	COMMENTS
1	MT3125 1981 80	EXPANDING SHAFT	2	
2	MT3125 4946 80	EXPANDING SHAFT	2	
3	MT3128 2800 08	THRUST WASHER	4	
4	MT3128 2800 09	THRUST WASHER	4	
5	MT3128 2800 27S	BOOM ATTACHMENT	1	Service ex.
6	MT3128 3038 97	BUSHING	2	
7	MT3128 2800 36S	BOOM LINK	1	Service ex.
8	MT0544 2153 00	GREASE NIPPLE	1	
9	MT3128 2900 23	COVER	1	
10	MT3128 3023 79	BOOM STOP	2	
11	MT3128 3059 89	BELLOWS COUPLING	1	
12	MT3128 3062 48	SEAL	1	
13	MT3128 3069 55	BOLT	2	Includes M20 nut
14	MT3128 3077 24	RESOLVER COVER	1	
15	MT3128 3077 89	FOAM BLOCK	2	
16	MT3128 3146 72S	LINK	2	Service ex.
17	MT3177 0074 01	BUSHING	4	
18	MT3128 3154 50	FLANGE	1	
19	MT0663 2141 00	O-RING	1	
20	MT9106 2192 03	ANGLE SENSOR	1	

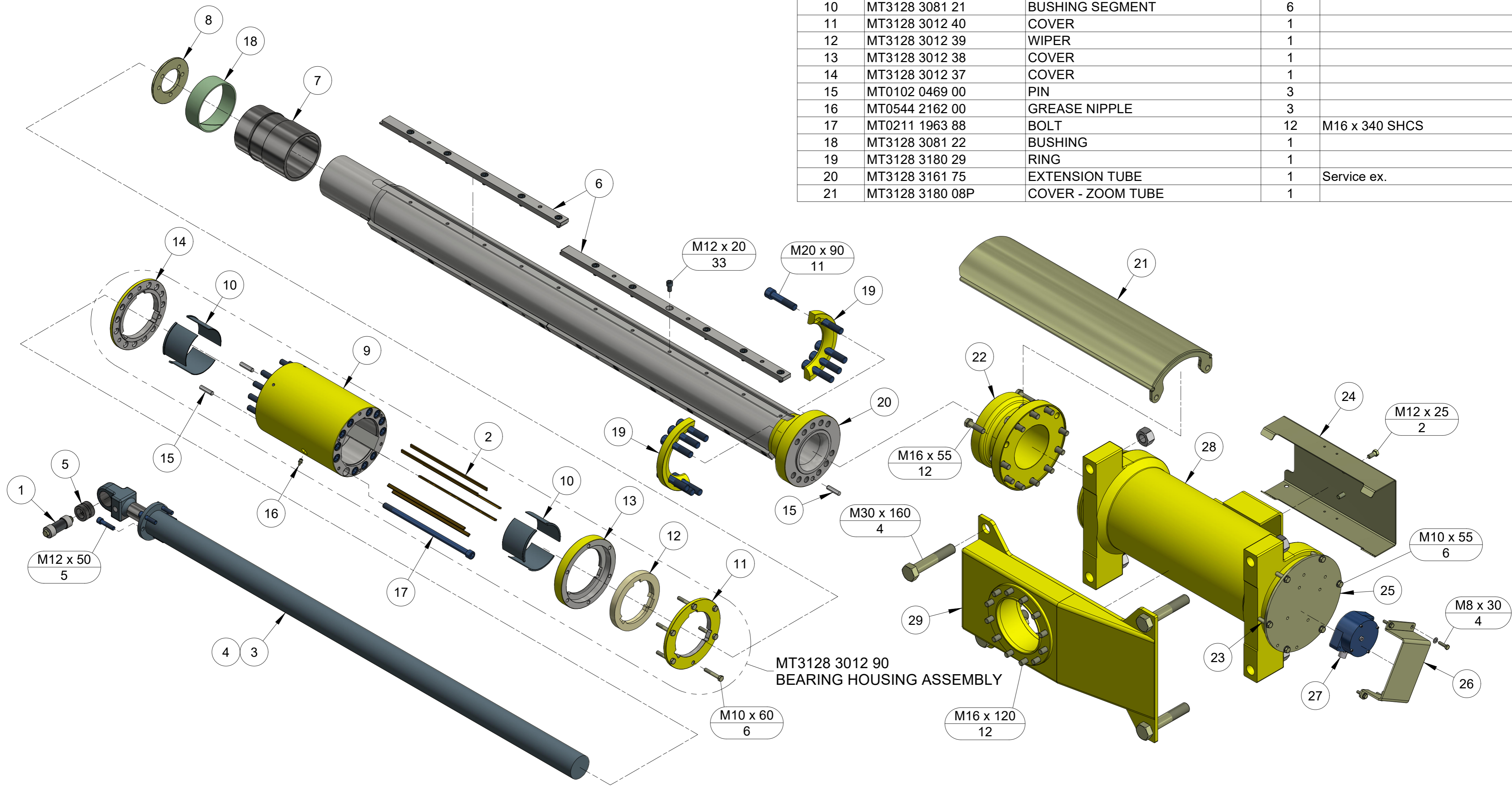
PART NUMBER <b>MT3128 3239 912</b>		DESCRIPTION <b>BOOM ATTACHMENT</b>	
			MT Parts: 0407 059 610 1 Haesy Circuit, Roseworthy S.A. 5371 171 Dugan Street, Kalgoorlie W.A. 6430 <a href="mailto:parts@mtunderground.com">parts@mtunderground.com</a> <a href="http://www.mtunderground.com">www.mtunderground.com</a>
			PAGE <b>2.1</b>

ITEM	PART NUMBER	DESCRIPTION	QTY	COMMENTS
1	MT3125 1981 81	EXPANDING SHAFT	2	
2	MT3128 2900 20	COVER	2	
3	MT3128 3035 70C	PROTECTION BAR COMPLETE	1	
4	MT3128 3060 31S	CYLINDER	2	Service ex.
5	MT9121 6696 50	SEAL KIT	2	
6	MT0335 2165 00	CIRCLIP	4	
7	MT0501 0019 00	SPHERICAL BEARING	2	
8	MT9128 7345 00	BUSHING	2	
9	MT3128 3083 03	SHAFT	1	
10	MT3128 2800 34S	BOOM BODY	1	Service ex.
11	MT3128 3038 97	BUSHING	2	
12	MT3128 3060 31P	CYLINDER COVER	2	

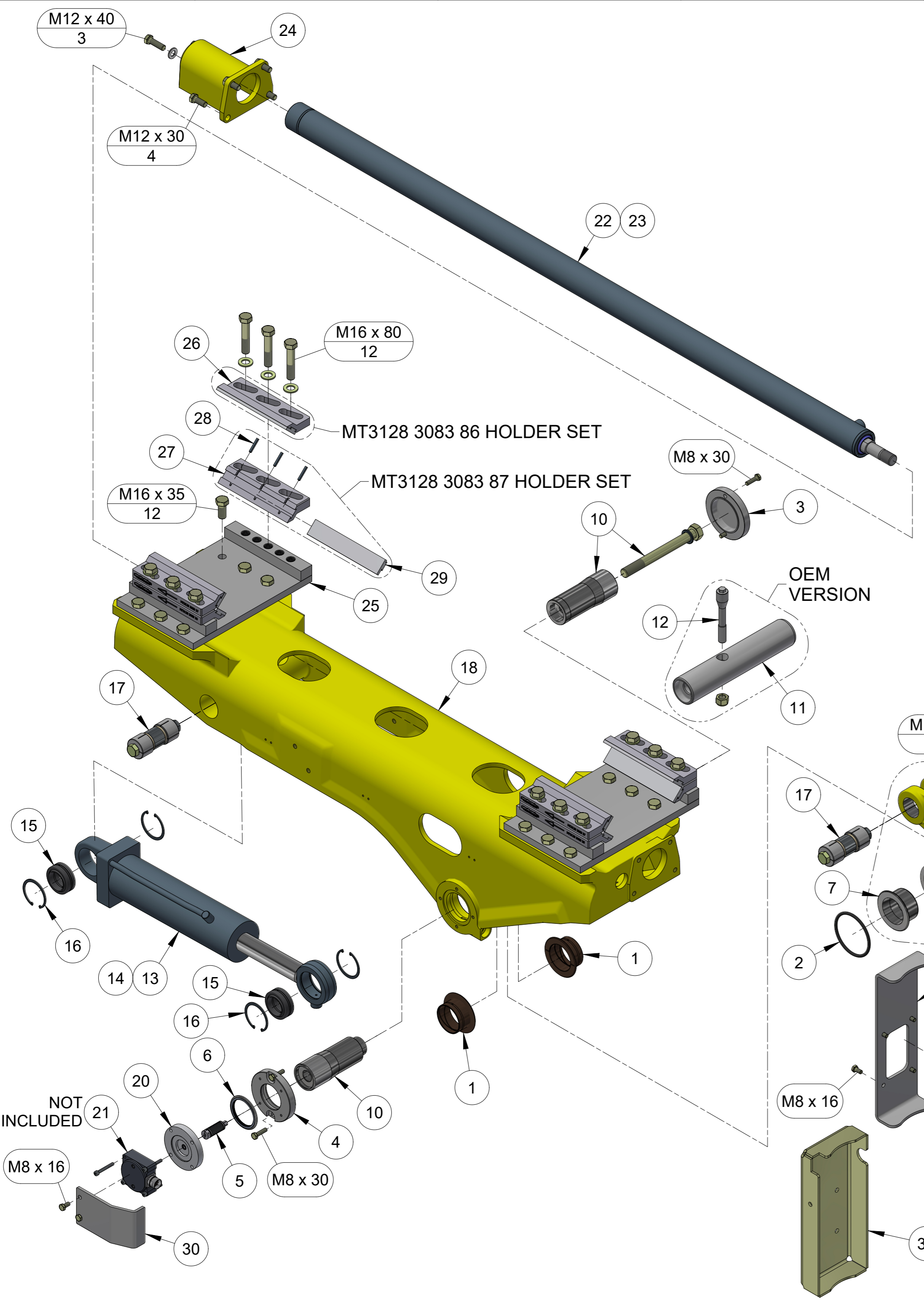


PART NUMBER <b>MT3128 3239 913</b>	DESCRIPTION <b>BOOM BODY</b>	MT Parts: 0407 059 610 1 Hahey Circuit, Roseworthy S.A. 5371 171 Dugan Street, Kalgoorlie W.A. 6430 <a href="mailto:parts@mtunderground.com">parts@mtunderground.com</a> <a href="http://www.mtunderground.com">www.mtunderground.com</a>
	 <b>MAINTENANCE TECHNIQUE</b> UNDERGROUND DRILL RELIABILITY	PAGE <b>2.2</b>

ITEM	PART NUMBER	DESCRIPTION	QTY	COMMENTS	ITEM	PART NUMBER	DESCRIPTION	QTY	COMMENTS
22	MT3128 3180 24	ADAPTOR	1		1	MT3125 4968 80	EXPANDING SHAFT	1	
23	MT9111 4065 38	SPACER SLEEVE	6		2	MT3125 4976 01	CRADLE - BRONZE	6	
24	MT3128 3146 75	PROTECTION	1		3	MT3128 2592 41S	CYLINDER	1	Service ex.
25	MT9111 4063 60	PROTECTION	1		4	MT3128 2592 48	SEAL KIT	1	
26	MT9111 4063 59	PROTECTION	1		5	MT9128 7342 00	BUSH	1	
27	MT9106 2192 04	INCLINOMETER	1		6	MT3128 3012 320	KEY - SET	3	
28	MT3128 3143 13SX	TURNING DEVICE - ROLL OVER	1	Service ex.	7	MT3128 3012 33	SLEEVE	1	
29	MT3128 3142 32	ADAPTOR PLATE	1		8	MT3128 3012 35	COVER	1	
					9	MT3128 3012 36	BEARING HOUSING	1	
					10	MT3128 3081 21	BUSHING SEGMENT	6	
					11	MT3128 3012 40	COVER	1	
					12	MT3128 3012 39	WIPER	1	
					13	MT3128 3012 38	COVER	1	
					14	MT3128 3012 37	COVER	1	
					15	MT0102 0469 00	PIN	3	
					16	MT0544 2162 00	GREASE NIPPLE	3	
					17	MT0211 1963 88	BOLT	12	M16 x 340 SHCS
					18	MT3128 3081 22	BUSHING	1	
					19	MT3128 3180 29	RING	1	
					20	MT3128 3161 75	EXTENSION TUBE	1	Service ex.
					21	MT3128 3180 08P	COVER - ZOOM TUBE	1	



PART NUMBER <b>MT3128 3180 08</b>	DESCRIPTION <b>ZOOM</b>			MT Parts: 0407 059 610 1 Haehy Circuit, Roseworthy S.A. 5371 171 Dugan Street, Kalgoorlie W.A. 6430
<a href="mailto:parts@mtunderground.com">parts@mtunderground.com</a> <a href="http://www.mtunderground.com">www.mtunderground.com</a>				PAGE <b>2.3</b>





ITEM	PART NUMBER	DESCRIPTION	QTY	COMMENTS
1	MT0500 4500 23	PLAIN BEARING	2	Includes O-ring (item 2)
2	MT0663 6139 00R	O-RING	2	
3	MT3128 2900 21	COVER	1	
4	MT3128 2900 28	COVER	1	
5	MT3128 3059 89	BELLOWS COUPLING	1	
6	MT3128 3062 47	SEAL	1	
7	MT3128 3080 471	TAPER BUSH	1	Refer note
8	MT3128 3080 472	TAPER BUSH	1	Refer note
9	MT3128 3080 47S	ATTACHMENT	1	Service ex.
10	MT3128 3081 350	SHAFT	1	Refer note
11	MT3128 3081 35	SHAFT	0	OEM version
12	MT3128 3116 82	BOLT	0	OEM version includes M16 nut
13	MT3128 3126 49S	CYLINDER	1	Service ex.
14	MT9120 0993 09	SEAL KIT	1	
15	MT9125 9552 00	SPHERICAL BEARING	2	
16	MT0335 2204 00	CIRCLIP	4	
17	MT3128 3115 11	EXPANDING SHAFT	2	
18	MT3128 3108 63	FEED HOLDER	1	Service ex.
19	MT3128 3126 43SX	TURNING DEVICE - SWING MOTOR	1	Service ex.
20	MT9772 0115 16	RESOLVER SEAL KIT	1	Inc. 4 x M6x45 S/S SHCS
21	MT9106 2192 03	ANGLE SENSOR	1	Sold separate
22	MT3128 3146 96	CYLINDER	1	
23	MT9122 5038 50	SEAL KIT	1	
24	MT3128 2807 80	CYLINDER BRACKET	1	
25	MT3128 3141 20	ATTACHMENT	2	
26	MT3128 3083 36	HOLDER RH	4	
27	MT3128 3083 37	HOLDER LH	4	
28	MT3128 0619 00	SLIDE KEY	24	
29	MT3128 3074 88	NYLON SLIDE HARD	8	Grey
30	MT3128 3115 11P	PROTECTION PLATE	1	
31	MT3128 3139 83	PROTECTION	1	
32	MT3128 3139 83 1	PROTECTION HD		Heavy duty version, sold separate

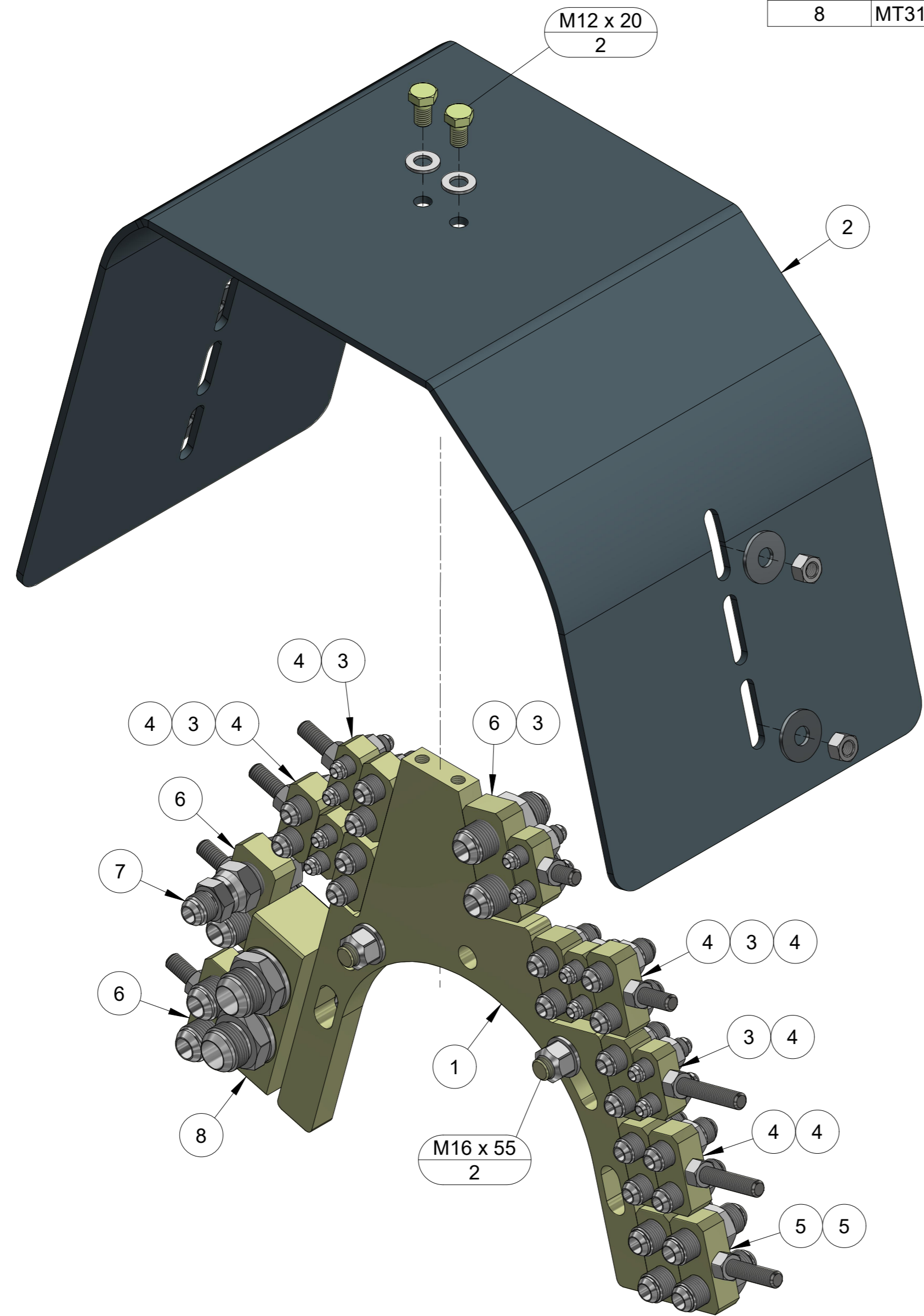
MT3128 3080 47SX  
ATTACHMENT COMPLETE  
(Bolts not included)

NOTE: ITEMS 7, 8 & 10 ARE PART OF MT TAPER/SPLIT SHAFT  
UPGRADE, REQUIRES MOD TO ITEM 9.

NOT  
INCLUDED

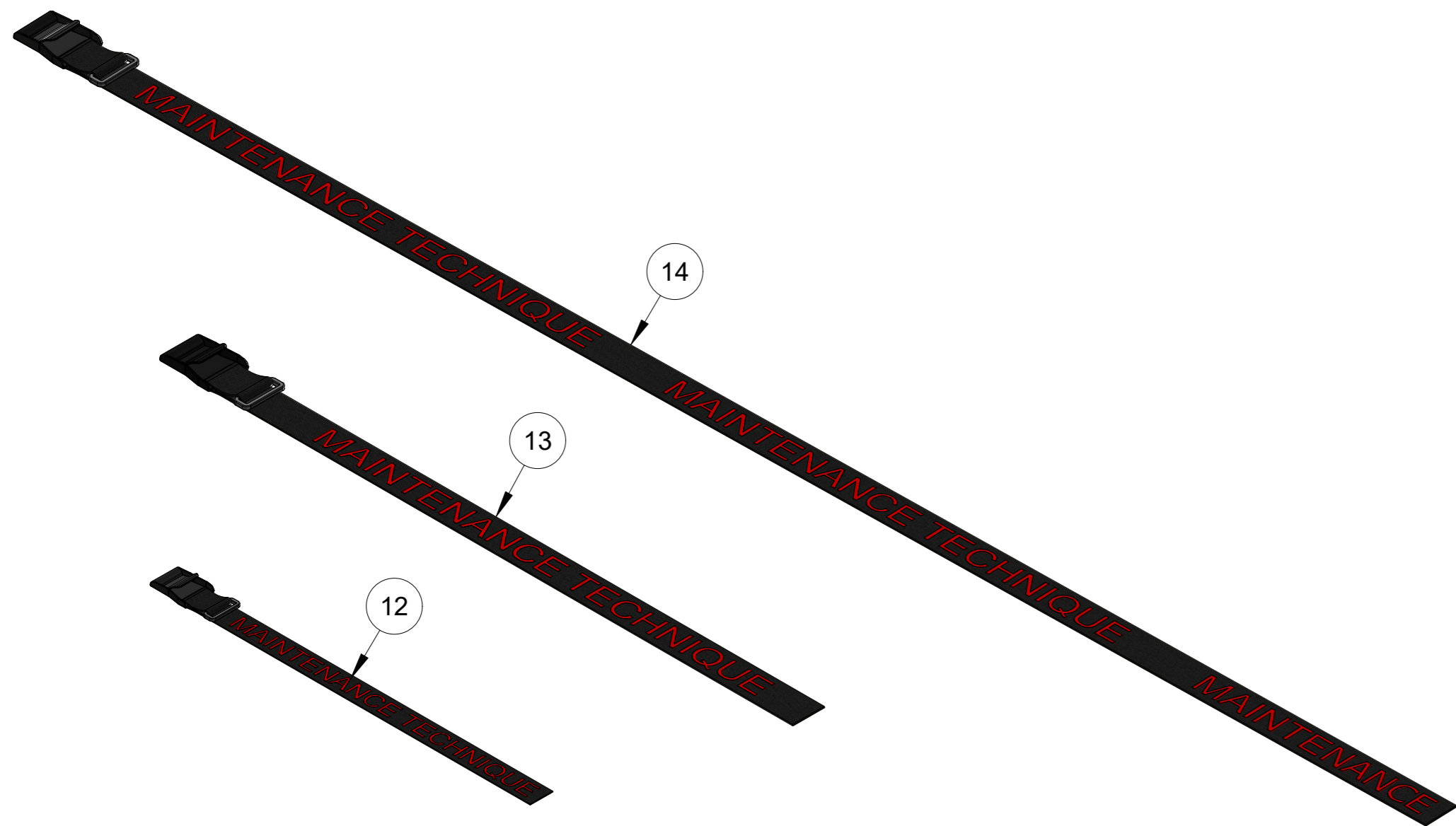
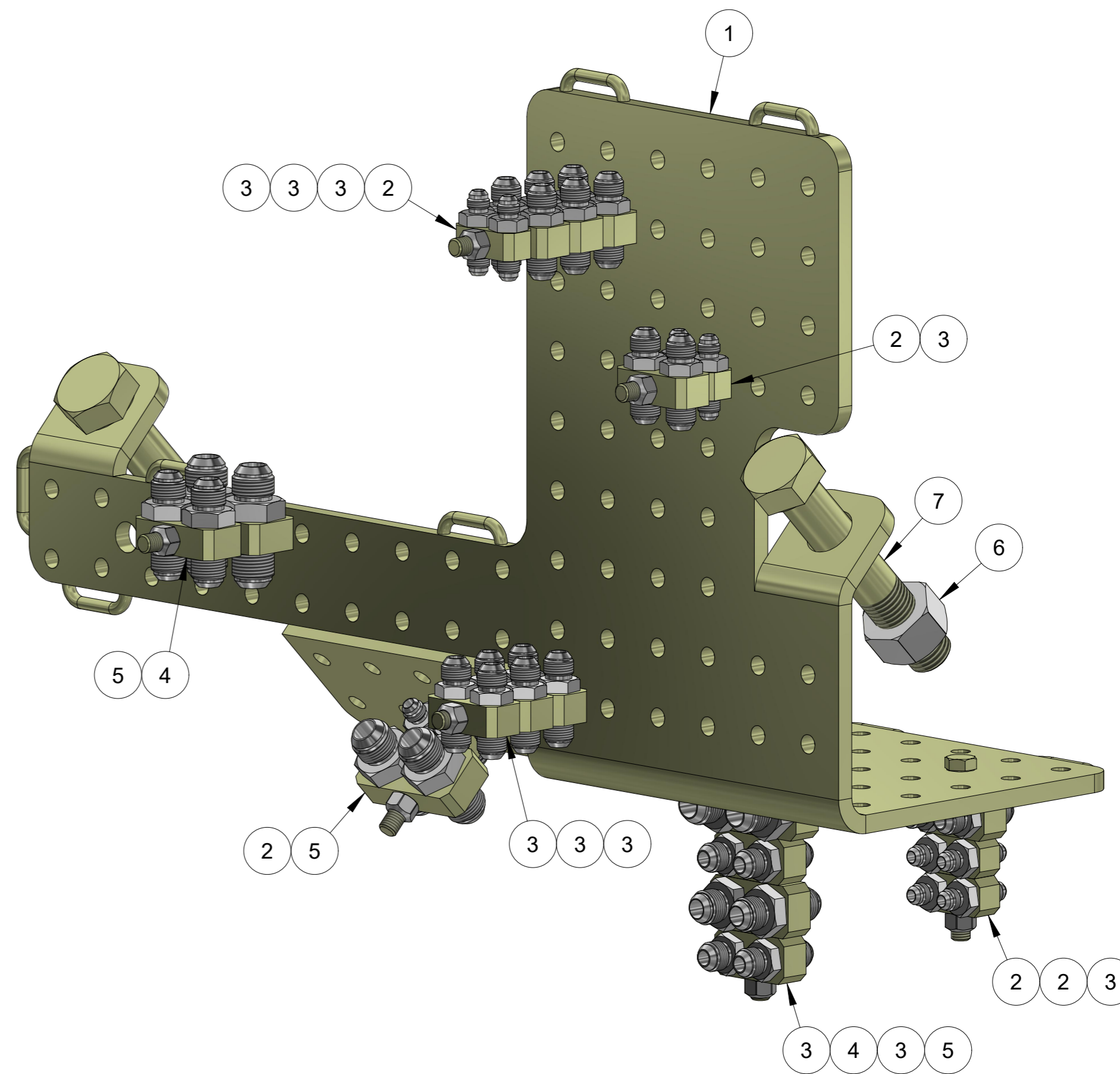
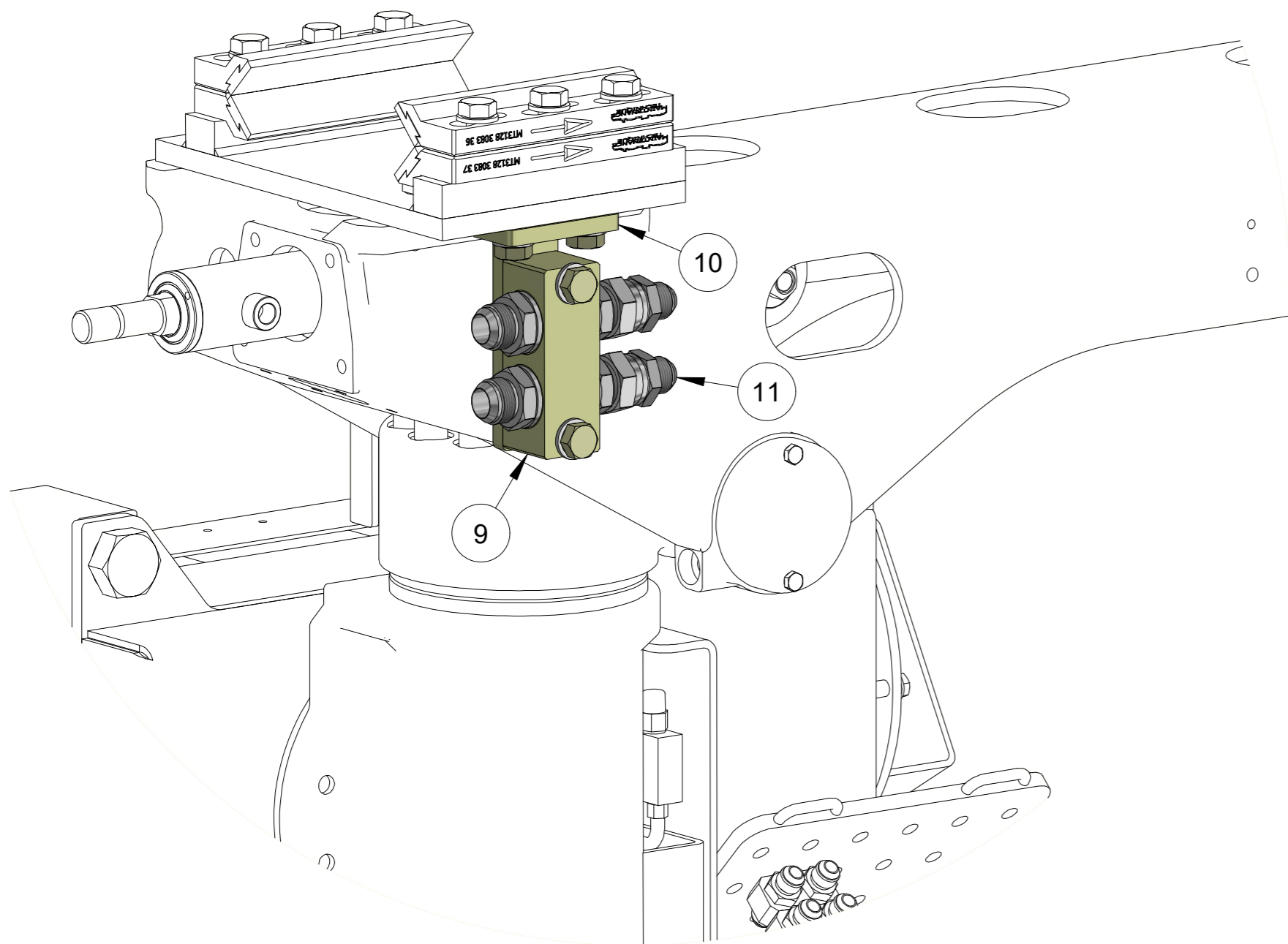
PART NUMBER <b>MT3128 3108 63CR</b>	DESCRIPTION <b>FEED HOLDER ASSEMBLY</b>
	
MT Parts: 0407 059 610 1 Haesy Circuit, Roseworthy S.A. 5371 171 Dugan Street, Kalgoorlie W.A. 6430 <a href="mailto:parts@mtunderground.com">parts@mtunderground.com</a> <a href="http://www.mtunderground.com">www.mtunderground.com</a>	
PAGE	<b>2.4</b>

ITEM	PART NUMBER	DESCRIPTION	QTY	COMMENTS
1	MT3128 3146 161	OUTER TUBE STACK MANIFOLD	1	
2	MT3128 3146 162	COVER	1	
3	MT1209 09	BULKHEAD COMPLETE 9/16	5	
4	MT1212 12	BULKHEAD COMPLETE 3/4	8	
5	MT1214 14	BULKHEAD COMPLETE 7/8	2	
6	MT1217 17	BULKHEAD COMPLETE 1 1/16	3	
7	MT2J-10-12	REDUCING SWIVEL 7/8JICM - 1 1/16JICF	1	
8	MT3128 3063 18C	PERCUSSION BULKHEAD COMPLETE	1	



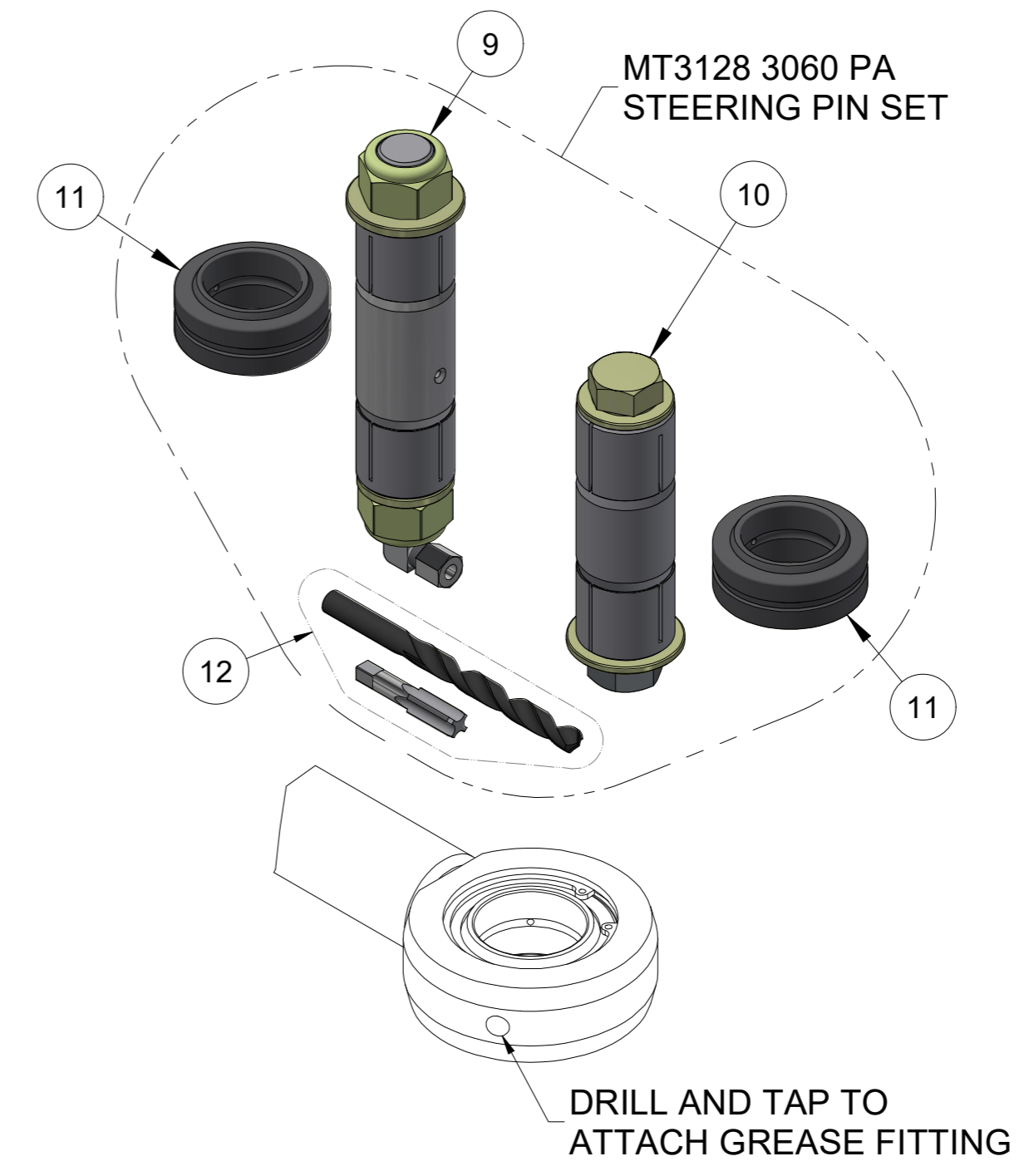
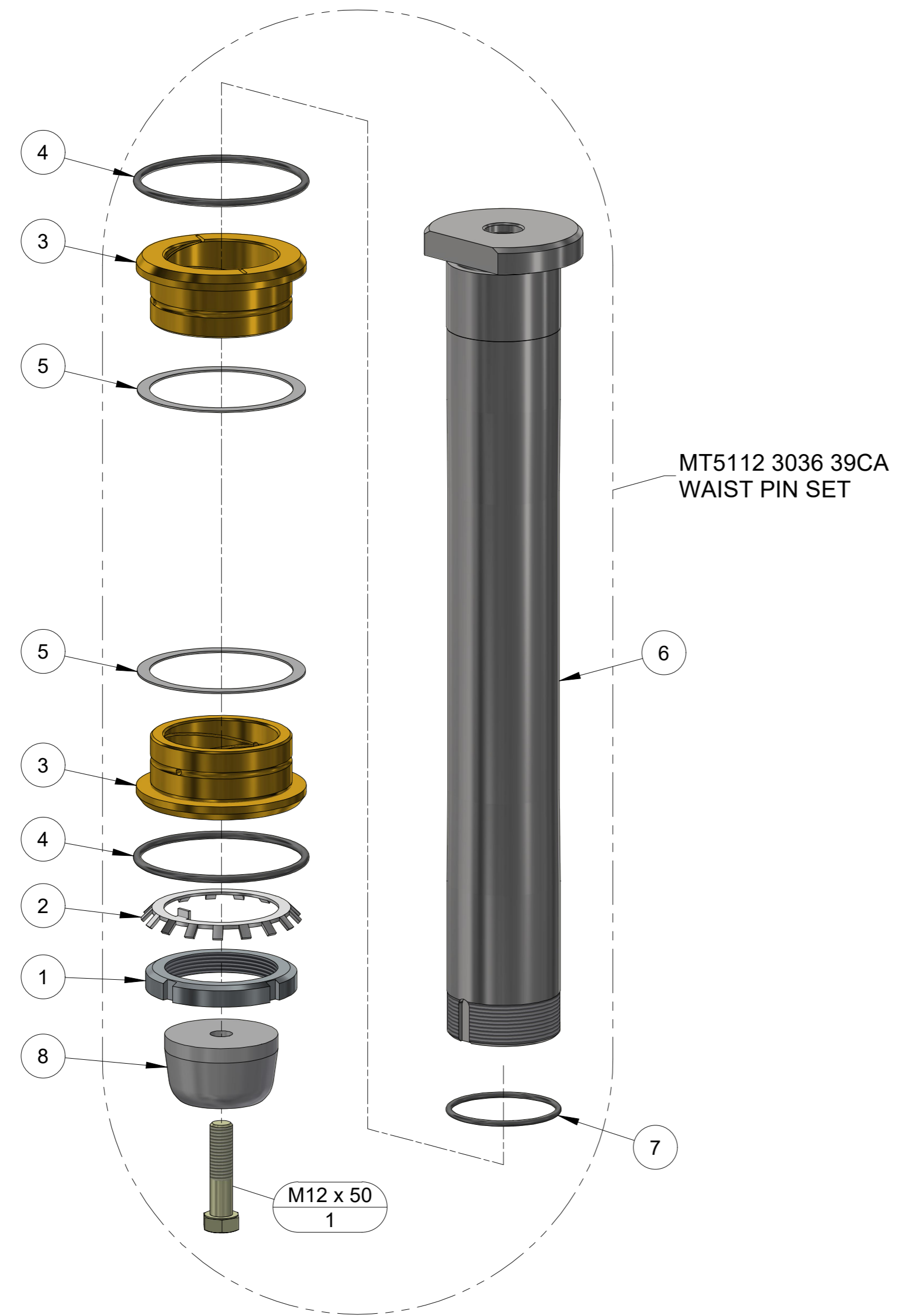
PART NUMBER	DESCRIPTION
MT3128 3146 161C	STACK MANIFOLD COMPLETE
	<b>MAINTENANCE TECHNIQUE</b> <small>UNDERGROUND DRILL RELIABILITY</small>
	MT Parts: 0407 059 610 1 Haesy Circuit, Roseworthy S.A. 5371 171 Dugan Street, Kalgoorlie W.A. 6430 <a href="mailto:parts@mtunderground.com">parts@mtunderground.com</a> <a href="http://www.mtunderground.com">www.mtunderground.com</a>
PAGE	2.5


ITEM	PART NUMBER	DESCRIPTION	QTY	COMMENTS
1	MT3257 0001	BULKHEAD PLATE BUT32 S	1	
2	MT1209 09	BULKHEAD COMPLETE 9/16	5	
3	MT1212 12	BULKHEAD COMPLETE 3/4	10	
4	MT1214 14	BULKHEAD COMPLETE 7/8	2	
5	MT1217 17	BULKHEAD COMPLETE 1 1/16	3	
6	MT0291 1129 31	NUT	2	M30
7	MT0147 1722 08	BOLT	2	M30x180
8	MT3257 0001 BK	BOLT KIT	1	M12 (not inc. items 6 & 7)
9	MT3128 3063 18	PERCUSSION BULKHEAD	1	
10	MT3128 3063 180	BRACKET	1	
11	MT2J-12-16	REDUCING SWIVEL 1 1/16JICM - 1 5/16JICF	2	
12	MT3103 0112 10	STRAP MINI	10	18mm wide x 300mm long
13	MT3176 3681 00	STRAP SHORT	5	25mm wide x 500mm long
14	MT3115 0212 00	STRAP LONG	5	25mm wide x 1100mm long



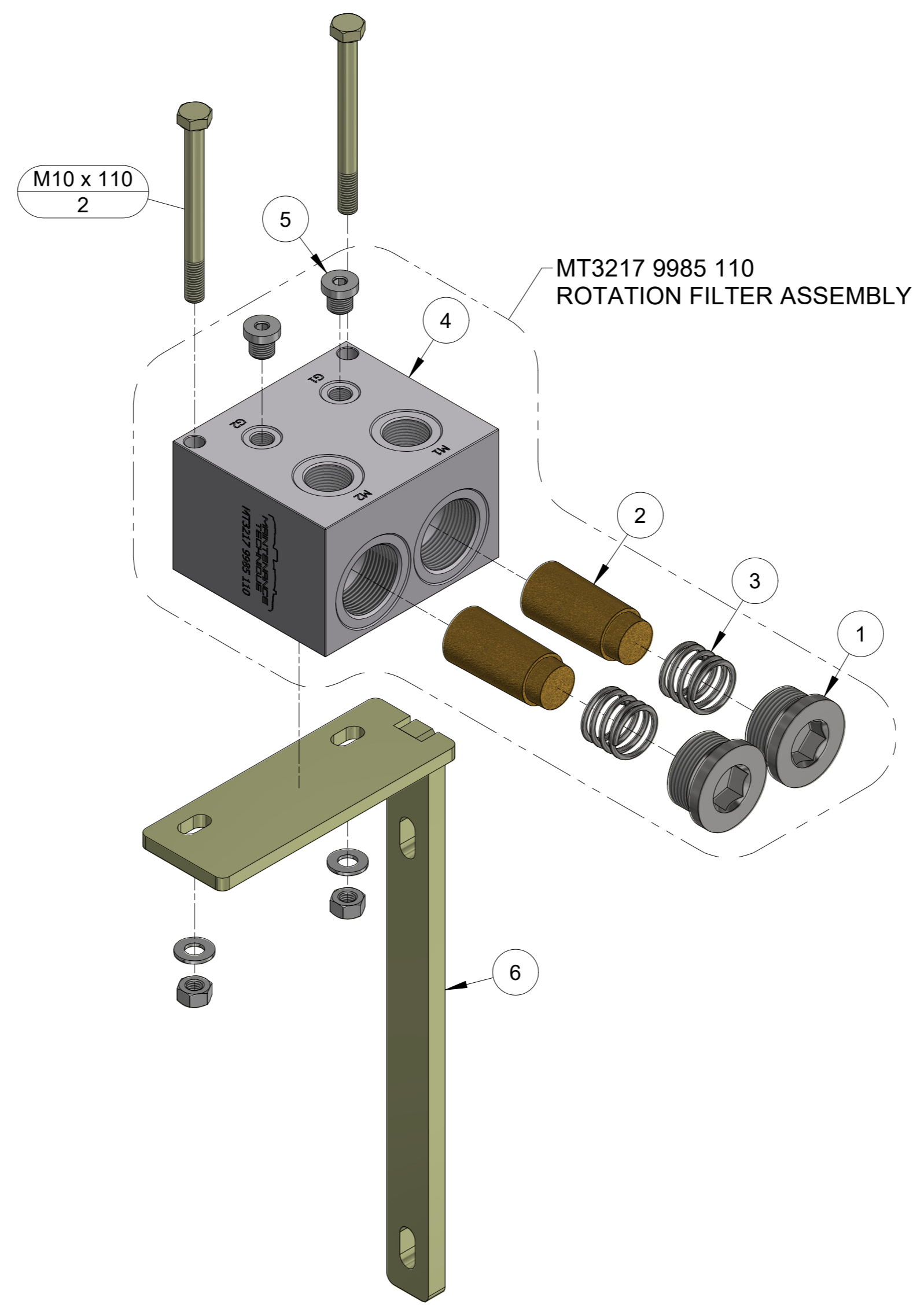
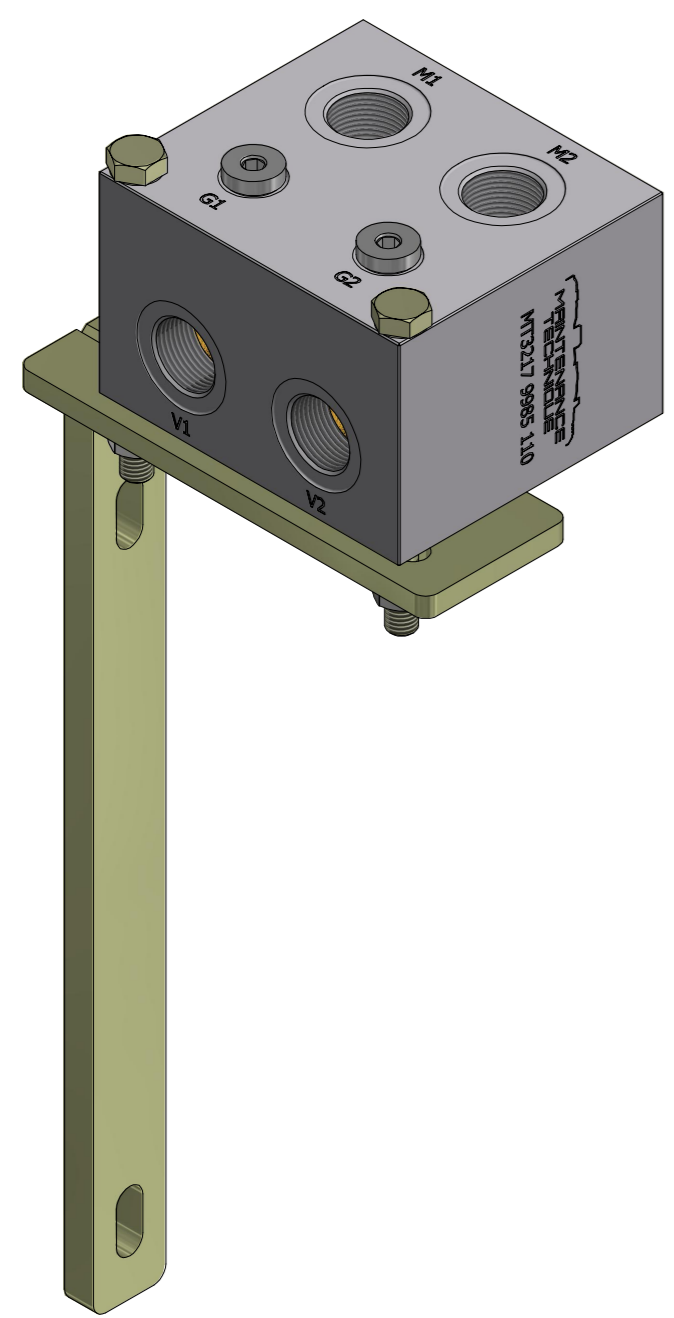
PART NUMBER <b>MT3257 0001 CA</b>	DESCRIPTION <b>BULKHEAD COMPLETE</b>
	<p>MT Parts: 0407 059 610          1 Haesy Circuit, Roseworthy S.A. 5371          171 Dugan Street, Kalgoorlie W.A. 6430</p> <p><a href="mailto:parts@mtunderground.com">parts@mtunderground.com</a>  <a href="http://www.mtunderground.com">www.mtunderground.com</a></p>
 <p><b>MAINTENANCE TECHNIQUE</b>          UNDERGROUND DRILL RELIABILITY</p>	
PAGE <b>2.6</b>	



ITEM	PART NUMBER	DESCRIPTION	QTY	COMMENTS
1	MT0295 3113 00	LOCK NUT	1	
2	MT0333 6113 00	LOCK WASHER	1	
3	MT5112 3036 38	PLAIN BEARING	2	Includes O-ring (item 4)
4	MT5112 3036 38O	O-RING	2	
5	MT5112 3036 38S	SHIM	2	Fit only if required
6	MT5112 3036 39	WAIST PIN	1	Includes O-ring (item 7)
7	MT5112 3036 39O	O-RING	1	
8	MT5112 3036 39T	INSTALLATION TOOL	1	Includes bolt
9	MT5112 2538 00X	SHAFT - BARREL END	1	
10	MT5112 2650 00X	SHAFT - ROD END	1	
11	MT0501 0015 00	SPHERICAL BEARING	2	
12	MT0108 87	1/8" BSP TAP & DRILL SET	1	



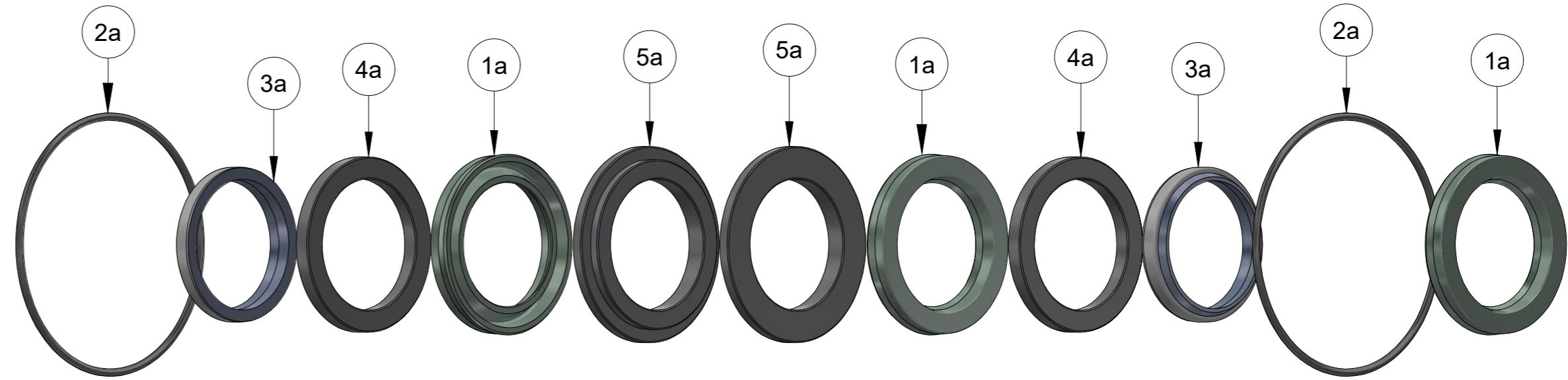
PART NUMBER	DESCRIPTION	MT Parts: 0407 059 610 1 Hahey Circuit, Roseworthy S.A. 5371 171 Dugan Street, Kalgoorlie W.A. 6430
	<b>PIN SET</b>	<a href="mailto:parts@mtunderground.com">parts@mtunderground.com</a> <small>PAGE</small>
<b>MAINTENANCE TECHNIQUE</b> <small>UNDERGROUND DRILL RELIABILITY</small>		<a href="http://www.mtunderground.com">www.mtunderground.com</a> <b>2.7</b>

ITEM	PART NUMBER	DESCRIPTION	QTY	COMMENTS
1	MT3217 9985 111	HEX PLUG & MAGNET	2	
2	MT3217 9985 112	IN-LINE PRESSURE FILTER ELEMENT	2	
3	MT3217 9985 113	SPRING	2	
4	MT3217 9985 115	ROTATION FILTER BODY	1	
5	MT3117 14BS PP	1/4" BSPP ALLEN PLUG	2	
6	MT3217 9985 116	FILTER MOUNT S SIMBA	1	

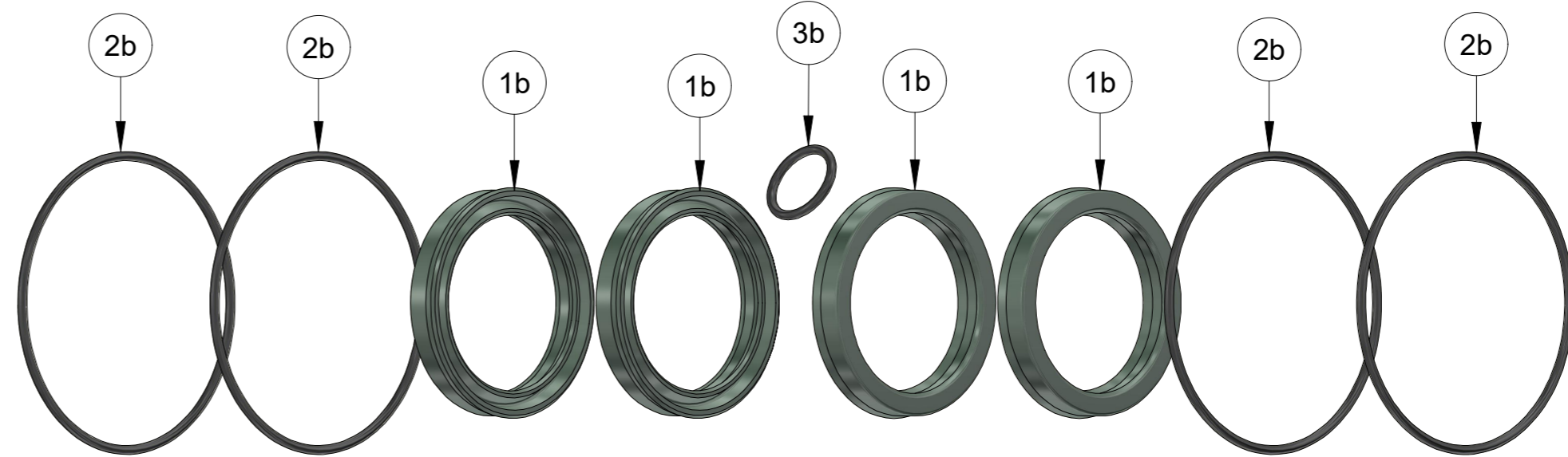


PART NUMBER	DESCRIPTION
MT3217 9985 117	ROTATION FILTER COMPLETE - S7
	<p>MT Parts: 0407 059 610  1 Hahey Circuit, Roseworthy S.A. 5371  171 Dugan Street, Kalgoorlie W.A. 6430</p> <p><a href="mailto:parts@mtunderground.com">parts@mtunderground.com</a>  <a href="http://www.mtunderground.com">www.mtunderground.com</a></p>
 <p><b>MAINTENANCE TECHNIQUE</b> UNDERGROUND DRILL RELIABILITY</p>	

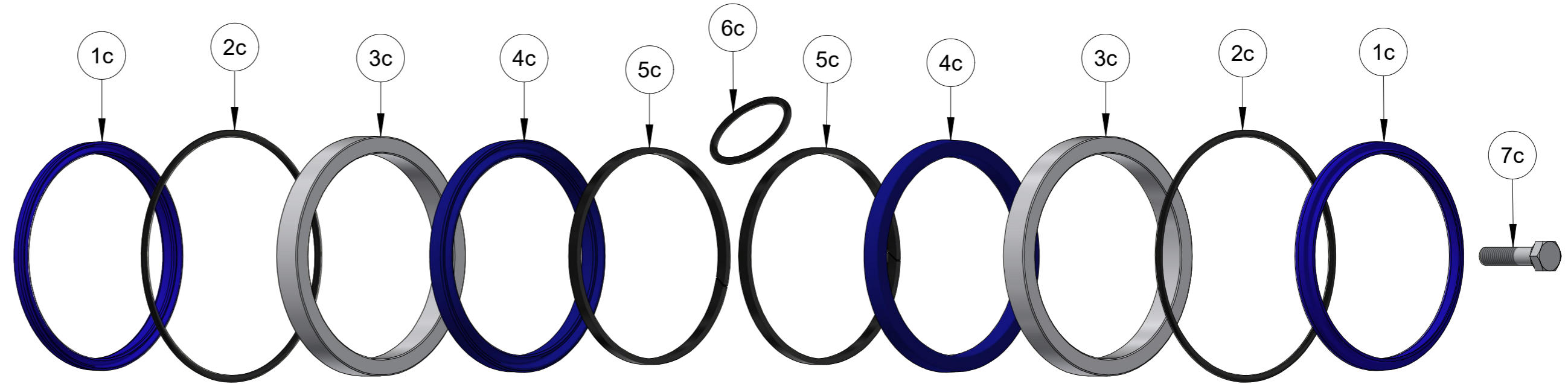
MT9754 0067 80 Flushing Kit 1838 MUX			
ITEM	PART NUMBER	DESCRIPTION	QTY
1a	MT3115 2386 00	CUP SEAL	3
2a	MT0663 2104 94	O-RING	2
3a	MT3115 3236 00	WIPER	2
4a	MT3115 3196 02	GUIDE	2
5a	MT3115 3197 02	GUIDE	2



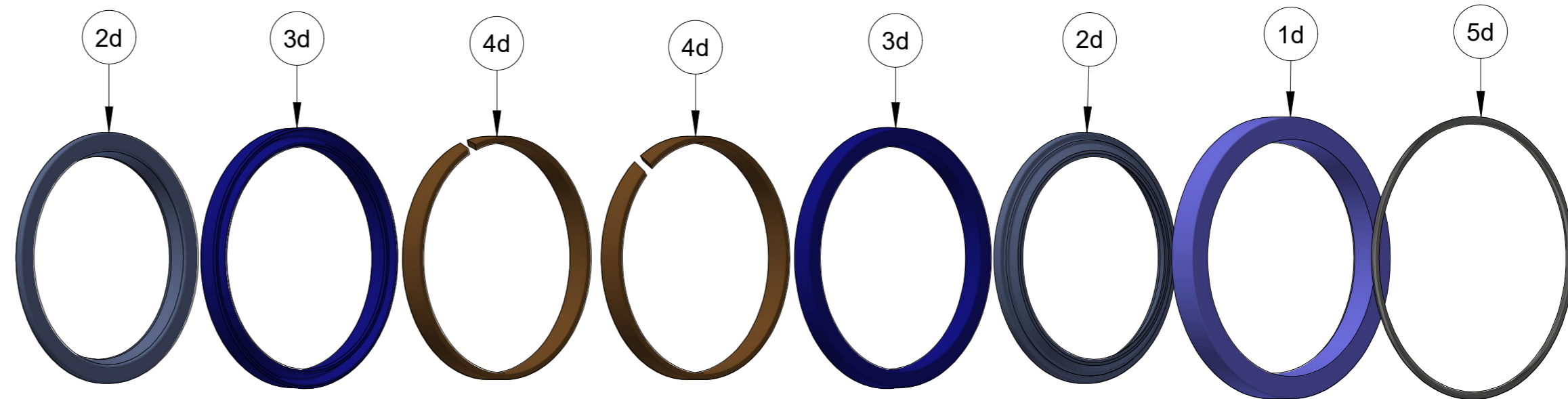
MT3115 2387 SK Flushing Kit 1838 MEX			
ITEM	PART NUMBER	DESCRIPTION	QTY
1b	MT3115 2387 00	CUP SEAL	4
2b	MT0663 6143 01	O-RING	4
3b	MT0663 2126 01	O-RING	1



MT3115 3060 SK Flushing Kit 3060 MUX			
ITEM	PART NUMBER	DESCRIPTION	QTY
1c	MT3115 5756 00	WIPER	2
2c	MT0663 6145 00	O-RING	2
3c	MT3115 5730 00	GUIDE	2
4c	MT3115 3059 00	CUP SEAL	2
5c	MT3115 5731 00	WEAR BAND	2
6c	MT0663 2131 00	O-RING	1
7c	MT0147 1327 03SS	SCREW	12



MT3115 3059 SK Flushing Kit 4050 MUX			
ITEM	PART NUMBER	DESCRIPTION	QTY
1d	MT3115 3044 00	CUP SEAL	1
2d	MT3115 3060 00	WIPER	2
3d	MT3115 3059 00	CUP SEAL	2
4d	MT3115 3058 00	GUIDE	2
5d	MT0663 2106 33	O-RING	1

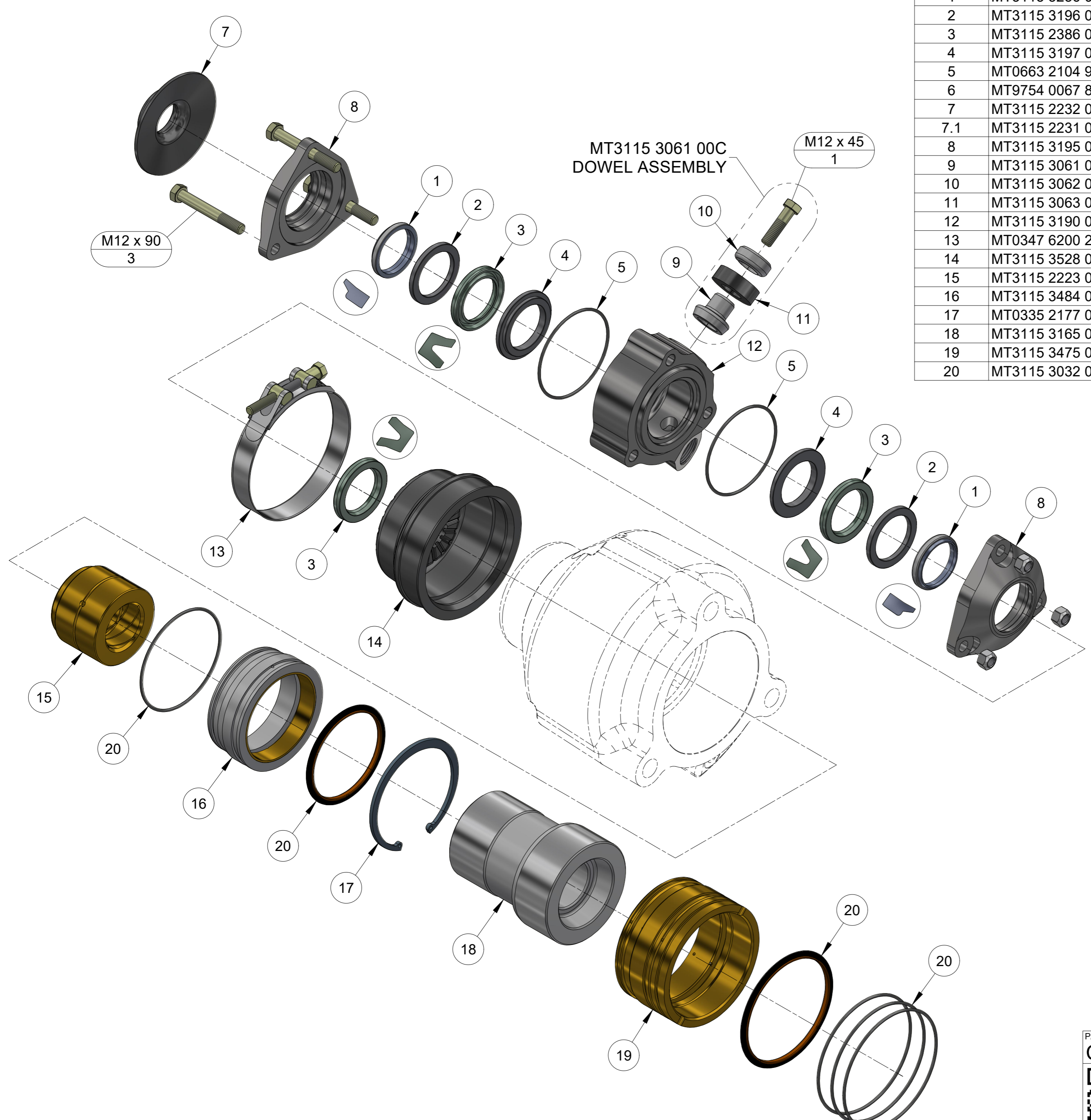


PART NUMBER MT3115 2387 SK	DESCRIPTION FLUSHING KIT 1838 MEX
PART NUMBER MT3115 3060 SK	DESCRIPTION FLUSHING KIT 3060 MUX
PART NUMBER MT3115 3059 SK	DESCRIPTION FLUSHING KIT 4050 MUX

PART NUMBER: MT9754 0067 80  
DESCRIPTION: FLUSHING KIT 1838 MUX



MT Parts: 0407 059 610  
1 Haehy Circuit, Roseworthy S.A. 5371  
171 Dugan Street, Kalgoorlie W.A. 6430  
[parts@mtunderground.com](mailto:parts@mtunderground.com)  
[www.mtunderground.com](http://www.mtunderground.com)



ITEM	PART NUMBER	DESCRIPTION	QTY	COMMENTS
1	MT3115 3236 00	WIPER	2	
2	MT3115 3196 02	GUIDE	2	
3	MT3115 2386 00	CUP SEAL	3	
4	MT3115 3197 02	GUIDE	2	
5	MT0663 2104 94	O-RING	2	
6	MT9754 0067 80	FLUSHING KIT		Includes items 1 - 5
7	MT3115 2232 00	DRILL COLLAR ST45	1	
7.1	MT3115 2231 00	DRILL COLLAR ST38	1	
8	MT3115 3195 01	COVER	2	
9	MT3115 3061 00	DOWEL PIN	1	
10	MT3115 3062 00	WASHER	1	
11	MT3115 3063 00	BUSHING	1	
12	MT3115 3190 00	FLUSHING HEAD	1	
13	MT0347 6200 21	HOSE CLAMP	1	
14	MT3115 3528 00	SEAL RETAINER	1	
15	MT3115 2223 02	GUIDE	1	
16	MT3115 3484 00	FRONT BUSH	1	
17	MT0335 2177 00	CIRCLIP	1	
18	MT3115 3165 00	PISTON	1	
19	MT3115 3475 00	REAR BUSH	1	
20	MT3115 3032 00SK	EXTRACTOR SEAL KIT	1	

PART NUMBER <b>COP 1838MUX</b>	DESCRIPTION <b>FRONT HEAD PARTS</b>
	 <p>MT Parts: 0407 059 610 1 Haesy Circuit, Roseworthy S.A. 5371 171 Dugan Street, Kalgoorlie W.A. 6430 <a href="mailto:parts@mtunderground.com">parts@mtunderground.com</a> <a href="http://www.mtunderground.com">www.mtunderground.com</a></p>
<small>UNDERGROUND DRILL RELIABILITY</small>	