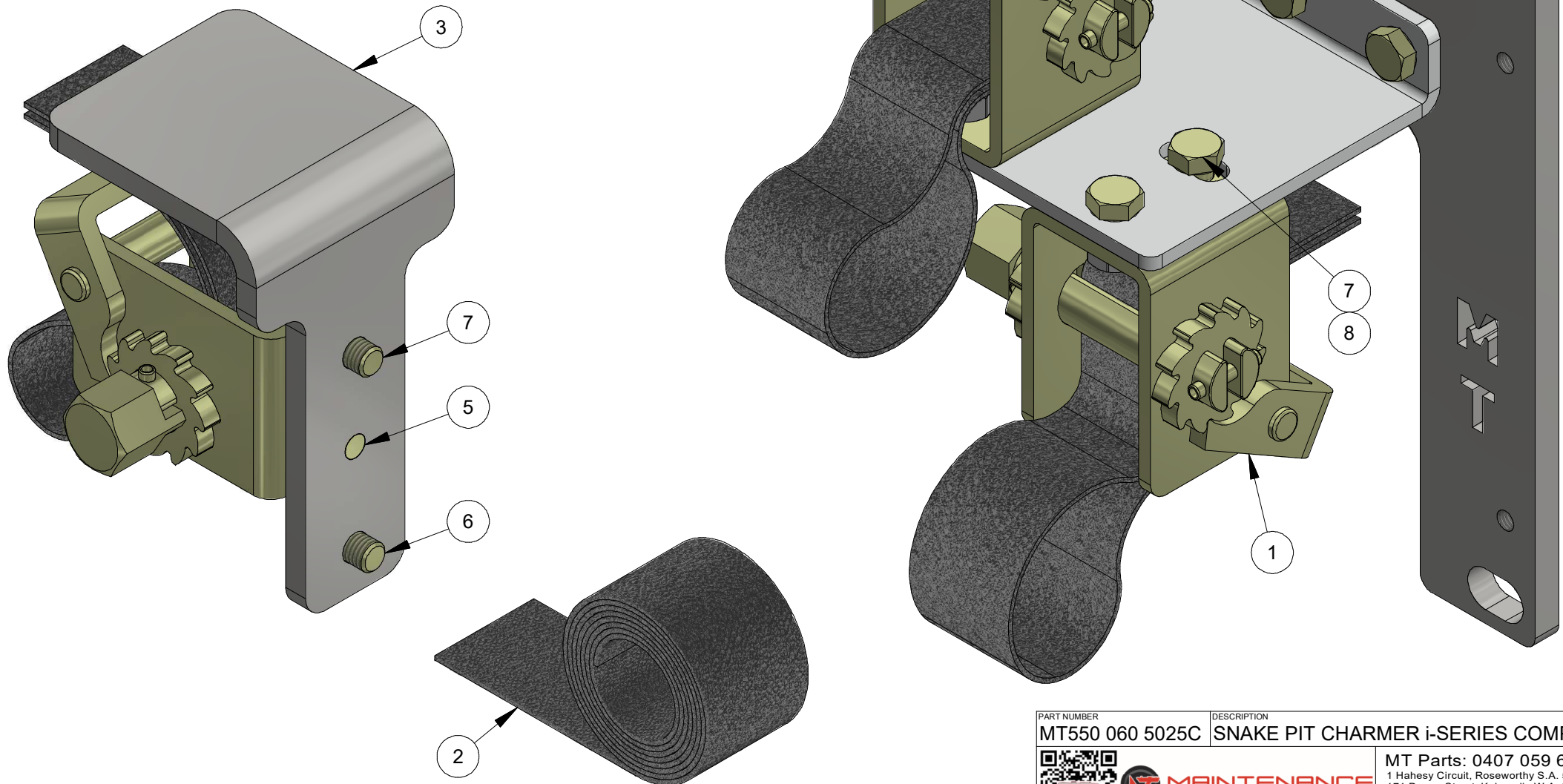




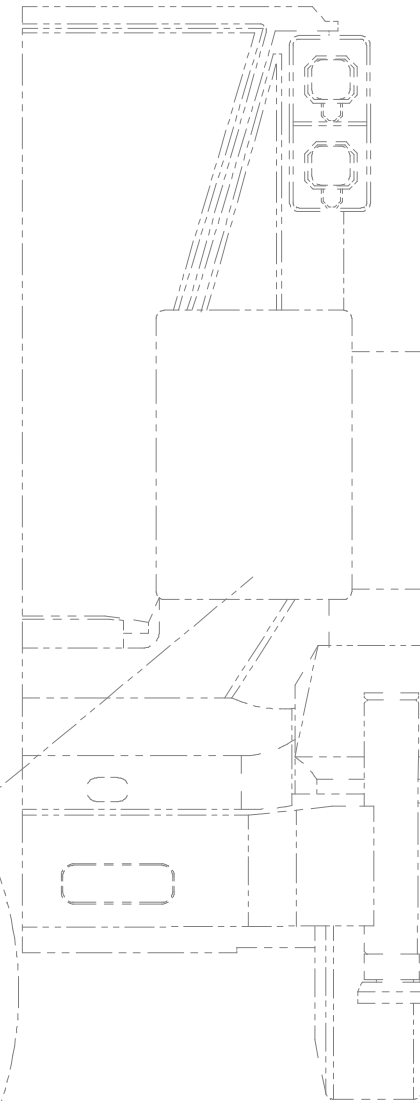
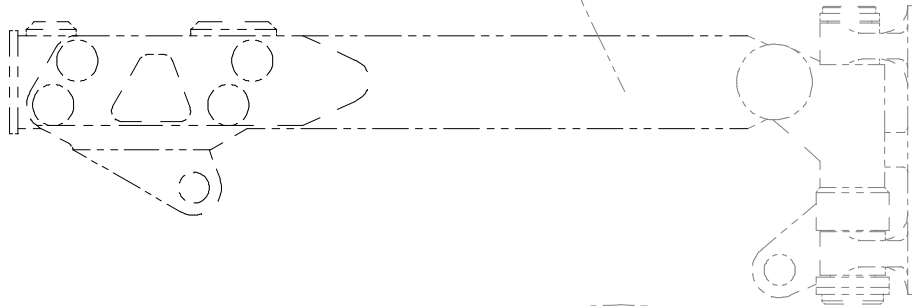
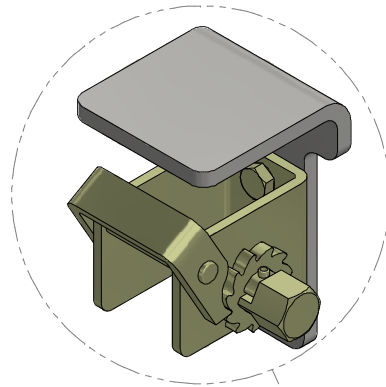
ITEM	PART NUMBER	DESCRIPTION	QTY	COMMENTS
1	MT550 060 500	RATCHET 50MM	3	
2	MT550 060 503	SB RATCHET STRAP	3	50mm x 1.5m
3	MT550 060 504	SB RATCHET COVER MOUNT	1	
4	MT550 060 505	SB RATCHET BRACKET	1	INCL. BOTH PARTS
5	MT0147 1216 00	SCREW	1	M12 x 16
6	MT0147 1398 03	SCREW	4	M12 x 20
7	MT0417 1400 03	SCREW	5	M12 x 25
8	MT0291 1128 22	LOCK NUT	4	

SUITS SANDVIK 421i and 422i DRILLS

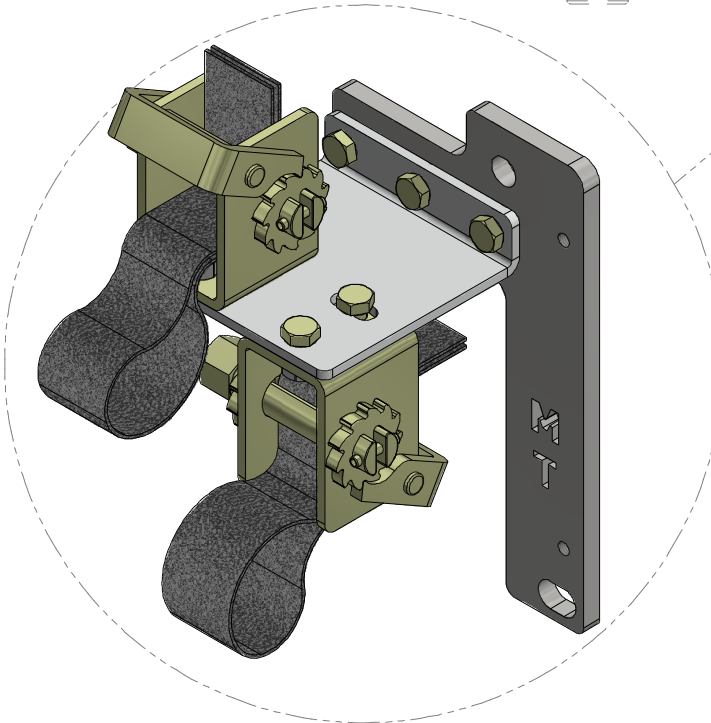


PART NUMBER	DESCRIPTION
MT550 060 5025C	SNAKE PIT CHARMER i-SERIES COMPL.
 	
MT Parts: 0407 059 610 1 Haesy Circuit, Roseworthy S.A. 5371 171 Dugan Street, Kalgoorlie W.A. 6430 parts@mtunderground.com www.mtunderground.com	

MT550 060 504



MT550 060 506



PART NUMBER	DESCRIPTION
MT550 060 5025C	SNAKE PIT CHARMER i-SERIES COMPL.



MT Parts: 0407 059 610
1 Haesy Circuit, Roseworthy S.A. 5371
171 Dugan Street, Kalgoorlie W.A. 6430
parts@mtunderground.com
www.mtunderground.com