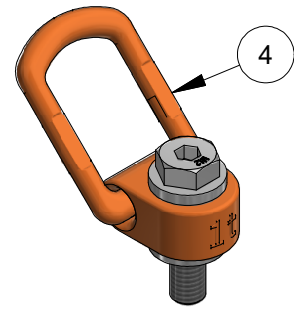
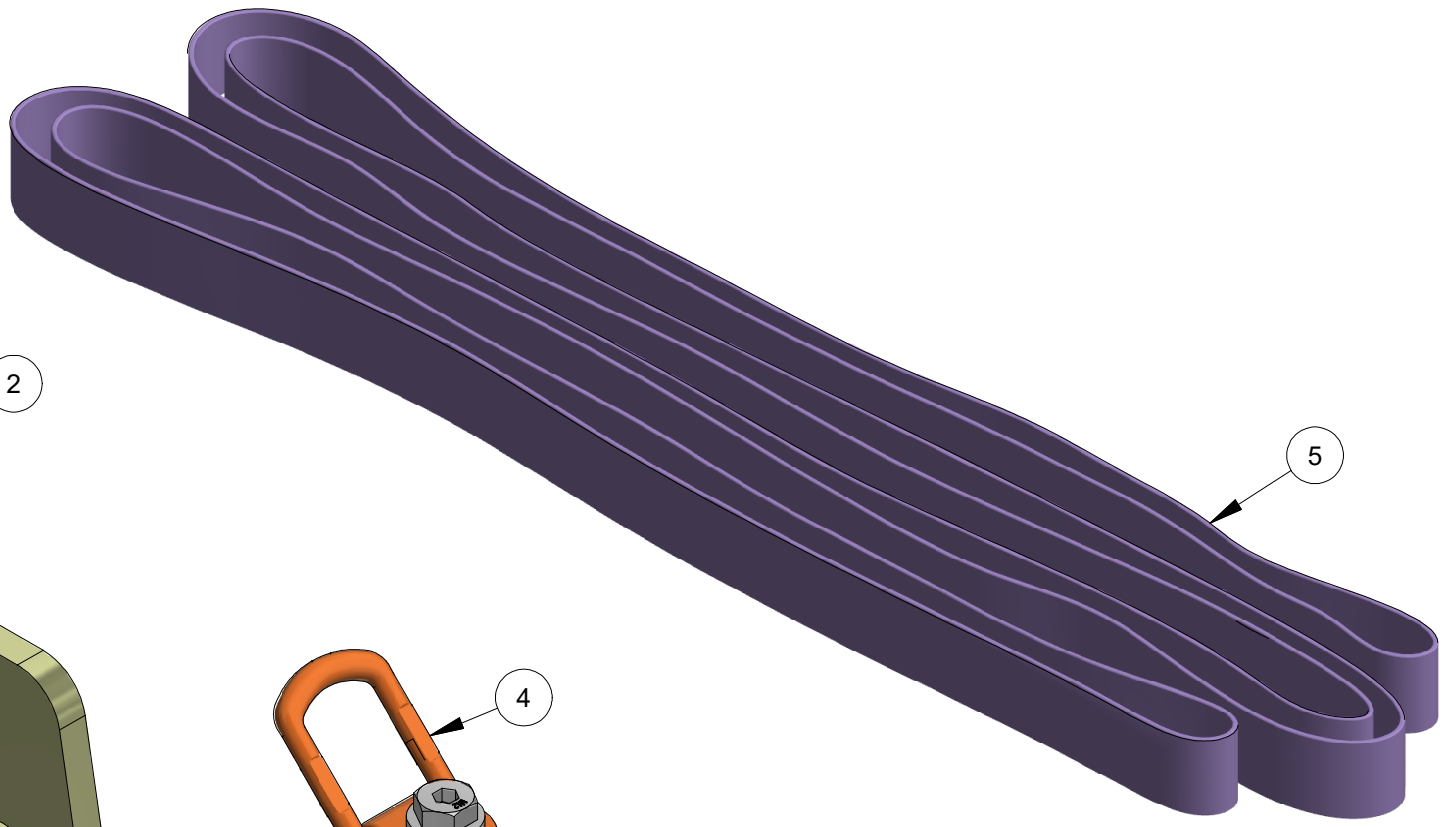
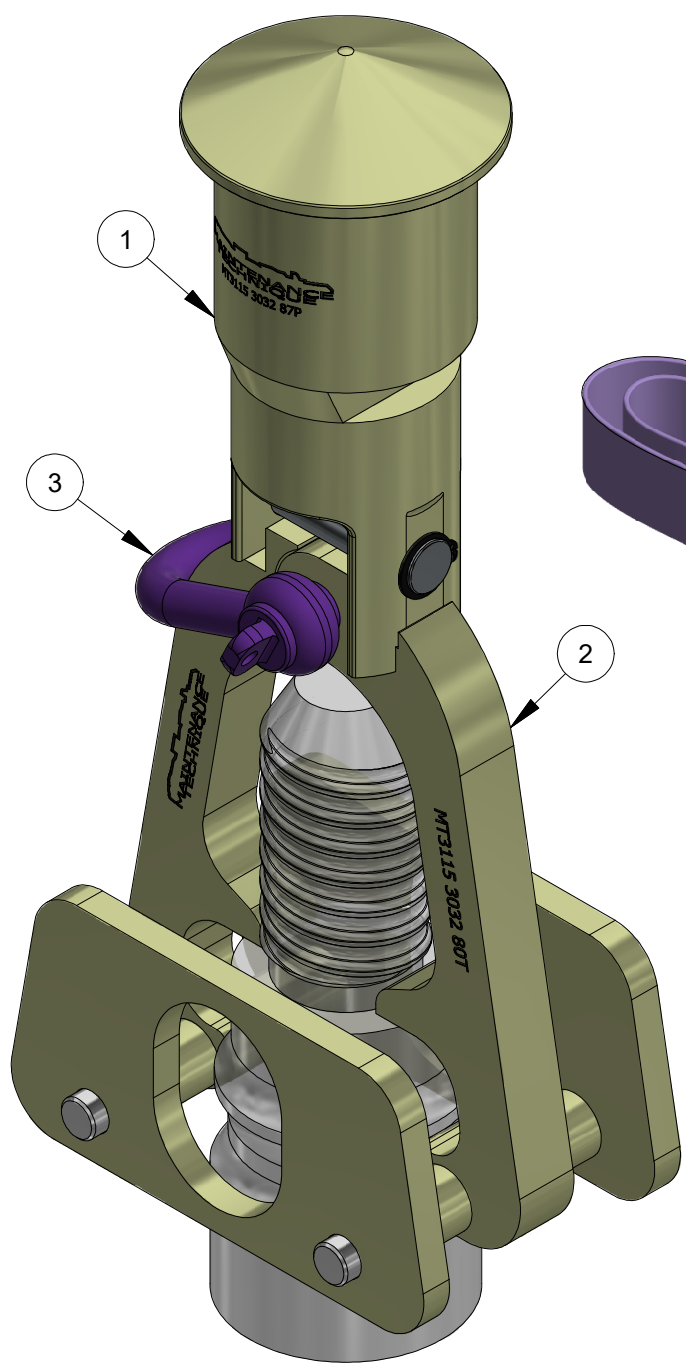


ITEM	PART NUMBER	DESCRIPTION	QTY	COMMENTS
1	MT3115 3032 87P	BSH PULLEY	1	
2	MT3115 3032 80T	SHANK TOOL	1	
3	MT3115 3032 80SH	SHACKLE	1	1.5t / 16mm
4	MT3115 3032 80L	LOAD RING	1	1t / M12
5	MT3115 3032 80 SL	ROUND SLING	1	1t / 4m long



ST68

PART NUMBER	DESCRIPTION
MT3115 3032 887	SHANK REMOVAL TOOL

Gavin Cunningham Ph. 0407 389 689
 1 Hahesy Circuit, Roseworthy S.A. 5371
parts@mtunderground.com
gav@mtunderground.com
admin@mtunderground.com
www.mtunderground.com.au