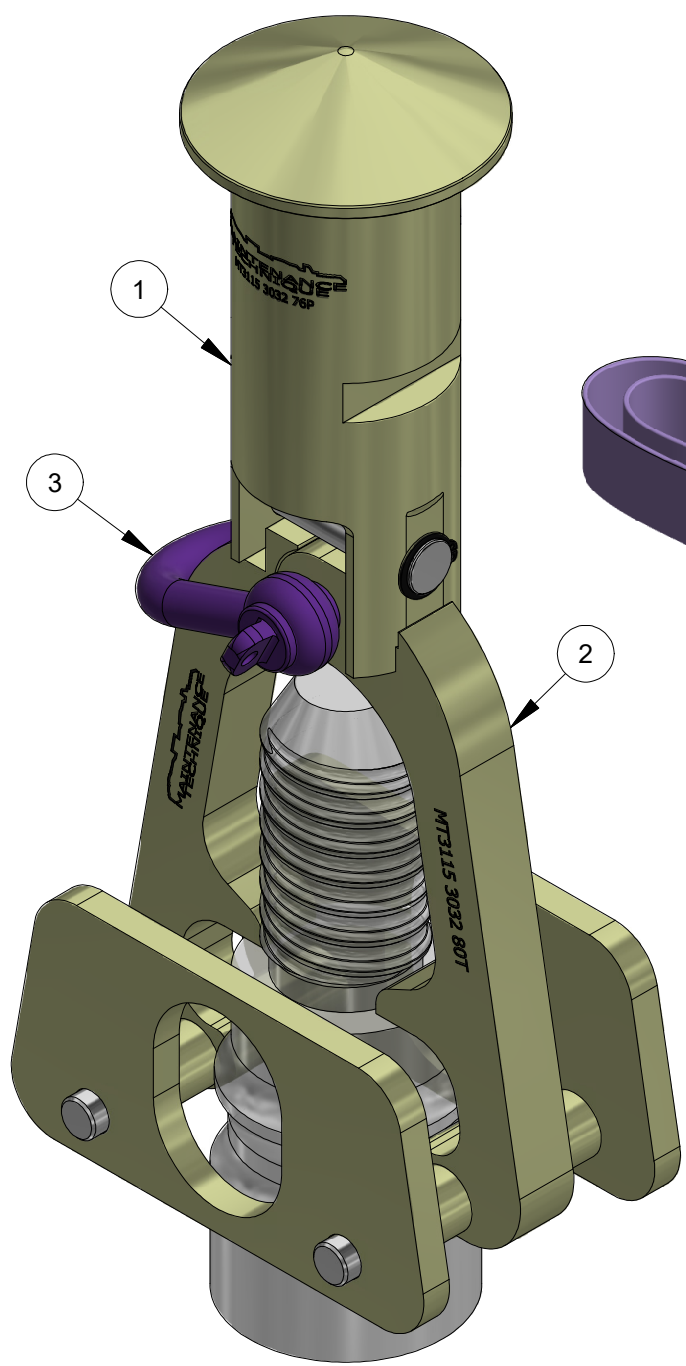
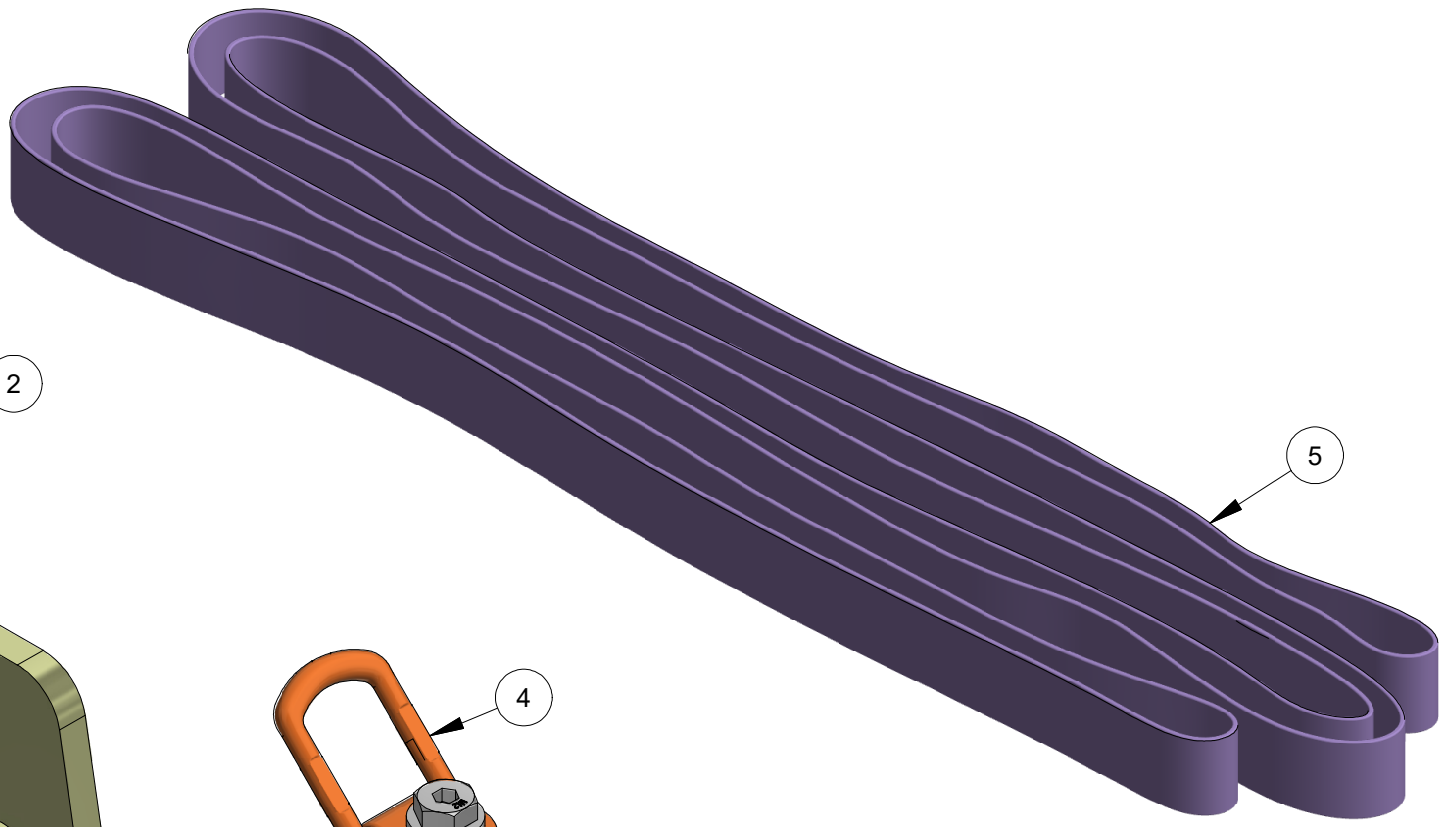



ITEM	PART NUMBER	DESCRIPTION	QTY	COMMENTS
1	MT3115 3032 76P	BSH PULLEY	1	
2	MT3115 3032 80T	SHANK TOOL	1	
3	MT3115 3032 80SH	SHACKLE	1	1.5t / 16mm
4	MT3115 3032 80L	LOAD RING	1	1t / M12
5	MT3115 3032 80 SL	ROUND SLING	1	1t / 4m long



ST58



PART NUMBER	DESCRIPTION
MT3115 3032 876	SHANK REMOVAL TOOL
	
Gavin Cunningham Ph. 0407 389 689 1 Hahesy Circuit, Roseworthy S.A. 5371 <a href="mailto:parts@mtunderground.com">parts@mtunderground.com</a> <a href="mailto:gav@mtunderground.com">gav@mtunderground.com</a> <a href="mailto:admin@mtunderground.com">admin@mtunderground.com</a> <a href="http://www.mtunderground.com.au">www.mtunderground.com.au</a>	