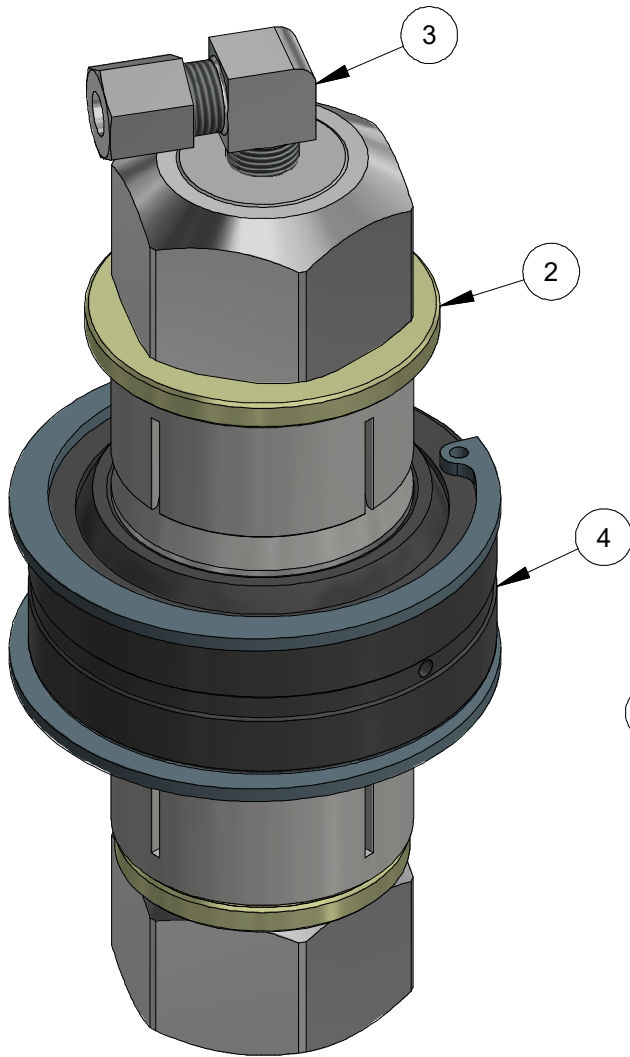
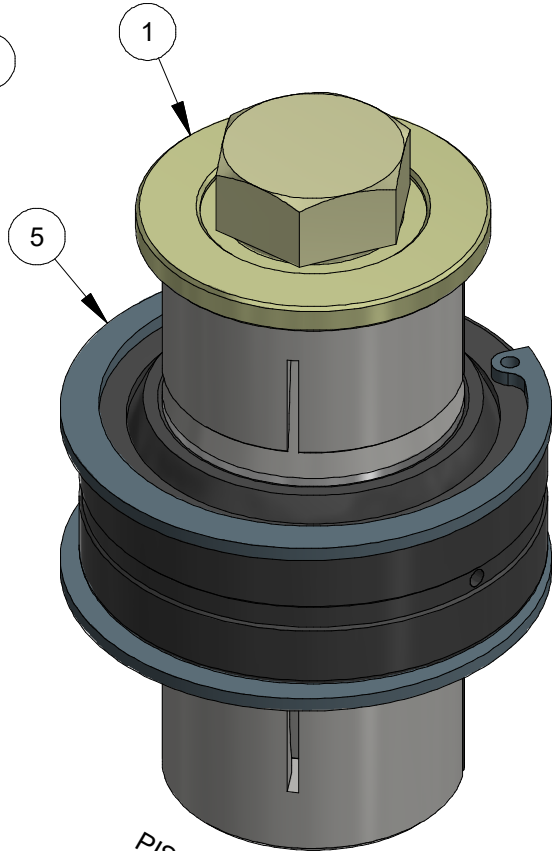


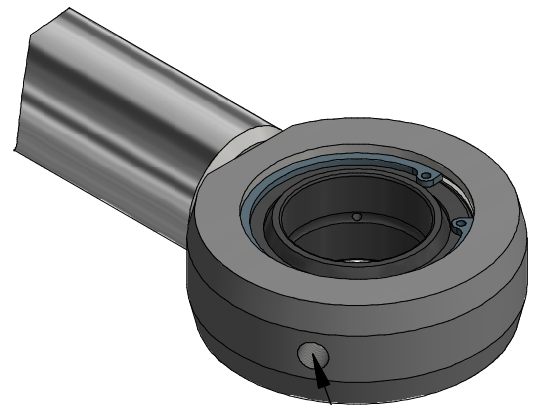
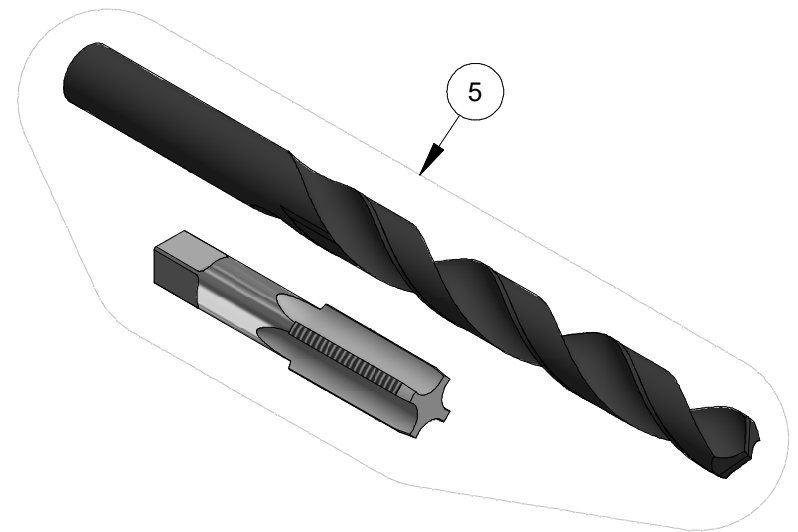
ITEM	PART NUMBER	DESCRIPTION	QTY	COMMENTS
1	MT9106 0014 481	STEER PIN PISTON ROD	1	
2	MT9106 0014 482	STEER PIN BARREL	1	
3	MT0580 2202 00	COUPLING 90°	2	1 off ea. Barrel & Piston Rod Side
4	MT0501 0016 00	SPHERICAL BEARING	2	
5	MT0335 2204 00	CIRCLIP	4	
6	MT0108 87	1/8" BSP TAP + DRILL BIT	1	



BARREL
SIDE

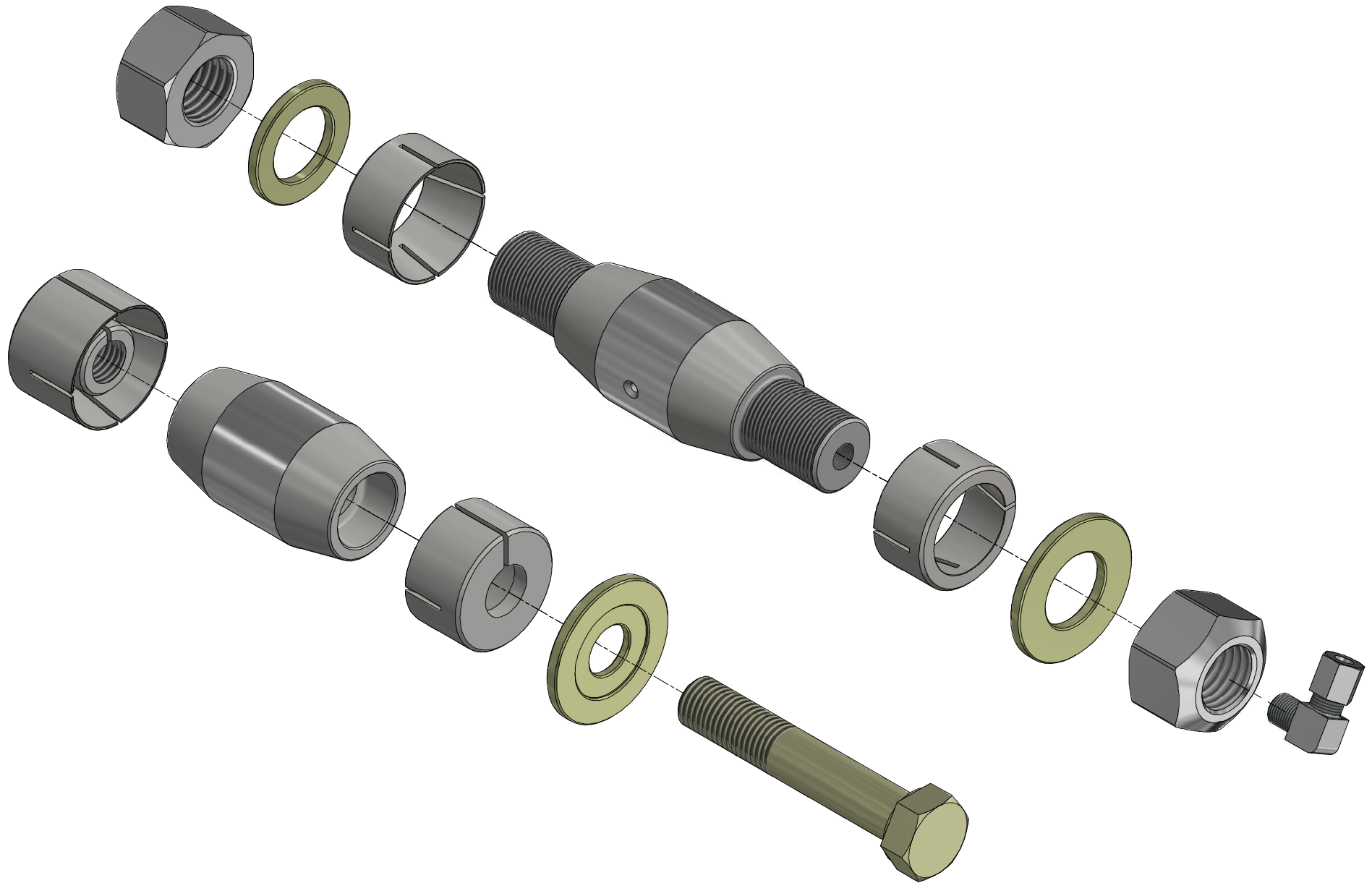


PISTON ROD
SIDE



DRILL AND TAP IN A CONVENIENT SPOT
TO ATTACH GREASE PORT MT0580 2202 00

PART NUMBER	DESCRIPTION
MT9106 0014 485	STEER PINS (S7C)
	
MT Parts: 0407 059 610 1 Haesy Circuit, Roseworthy S.A. 5371 171 Dugan Street, Kalgoorlie W.A. 6430 parts@mtunderground.com www.mtunderground.com	
UNDERGROUND DRILL RELIABILITY	



PART NUMBER	DESCRIPTION
MT9106 0014 485	STEER PINS (S7C)
	MAINTENANCE TECHNIQUE UNDERGROUND DRILL RELIABILITY
	MT Parts: 0407 059 610 1 Haesy Circuit, Roseworthy S.A. 5371 171 Dugan Street, Kalgoorlie W.A. 6430 parts@mtunderground.com www.mtunderground.com