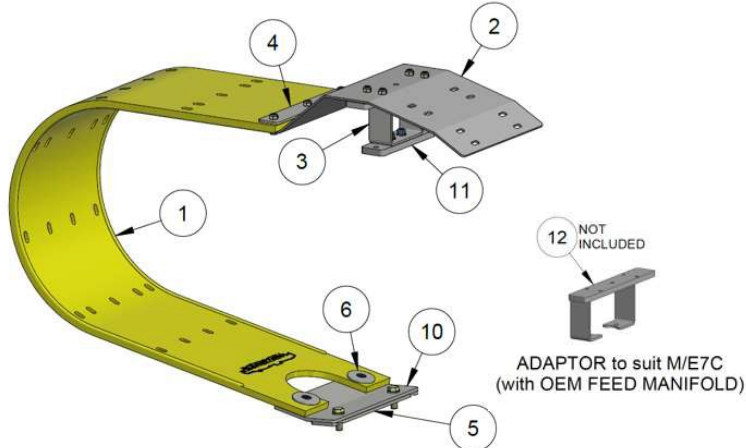


[SEP 2022]

HOSE LENGTHS
MT9772 3060 7CA
HOSE GUIDE COMPLETE
M/E7C / 3060

(with MT FEED BULKHEAD)



ITEM	PART NUMBER	DESCRIPTION
1	MT9772 0145 25	MAT
2	MT9772 0145 25B	BENT ATTACHMENT
3	MT9772 0145 25M	MOUNT
4	MT9772 0145 25P	CLAMPING PLATE
5	MT9772 0145 25S	MAT SPACER
6	MT9772 0145 25W	WASHER
10	MT9772 3060 7CBA	BOTTOM ADAPTOR
11	MT9772 0130 60	ADAPTOR PLATE
12	MT9772 0145 257	MOUNT

HOSE	HOSE SIZE	JIC HOSE TAIL	HOSE CUT LENGTH	INFO
WF	1"	-16	3050MM	WATER FLUSHING
HP	1"	-16	2050MM	HAMMER PERC
HT	1"	-16	1950MM	HAMMER TANK
BHP	3/8	-8	2650MM	EXTRACTOR PRESSURE
BHT	½'	-10	2700MM	EXTRACTOR TANK
HPD	3/8	-8	2400MM	DAMPENING(USE 45 DEGREE JIC AT ROCK DRILL)
AL	½	-10	2150MM	AIR LUBE (USE 45 DEGREE JIC AT ROCKDRILL)
FF	½	-10	2760MM	FEED LEFT OF CYLINDER
FR	½	-10	2800MM	FEED RIGHT OF CYLINDER
RL	¾	-12	2460MM	ROTATION LEFT
RR	¾	-12	2400MM	ROTATION RIGHT
GREASE	¼	-4	2450MM	GREASE USE 90 DEGREE FITTING IN CRADLE AND RUN UNDER DRIFTER TO RHS BOX