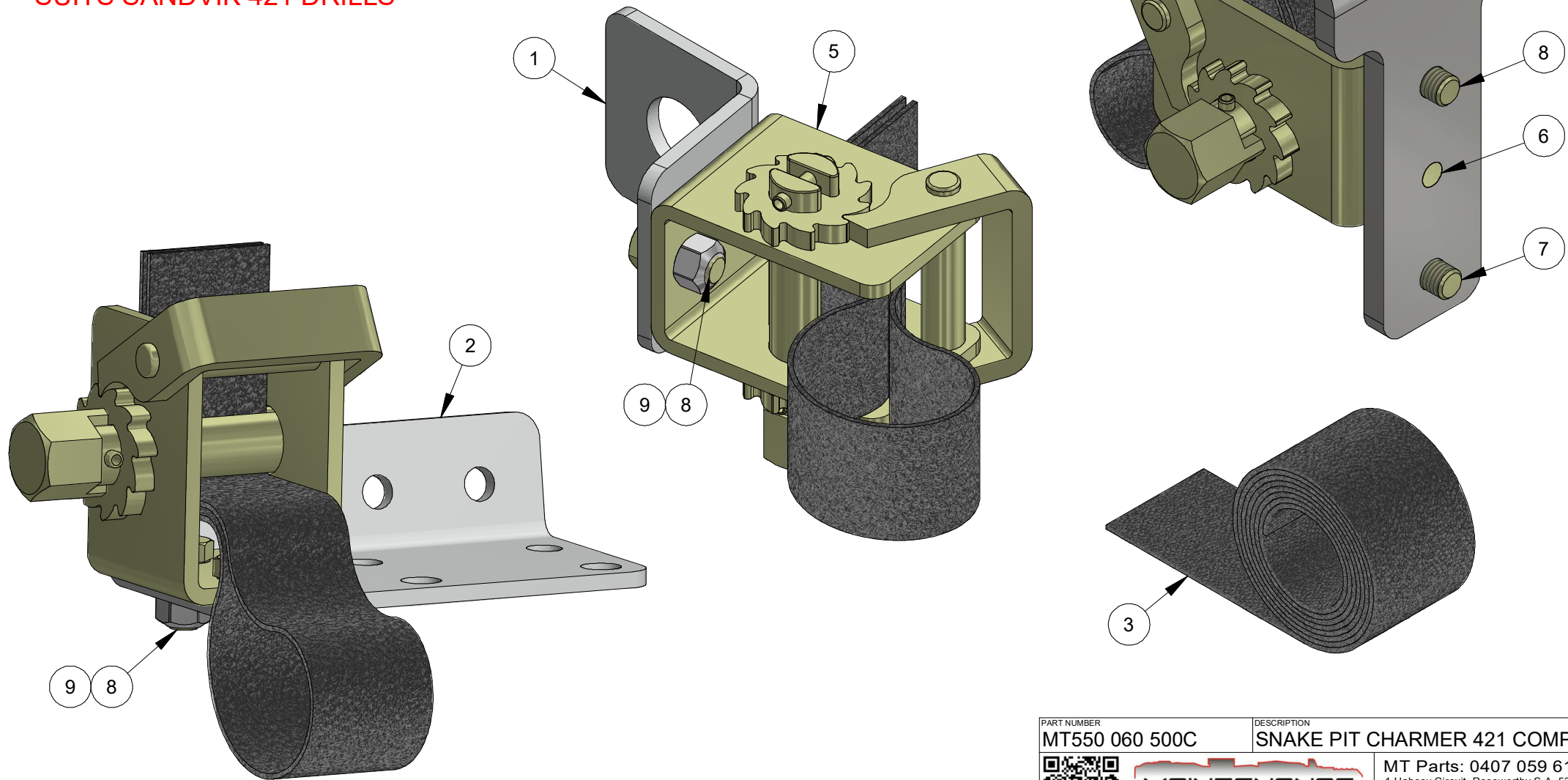


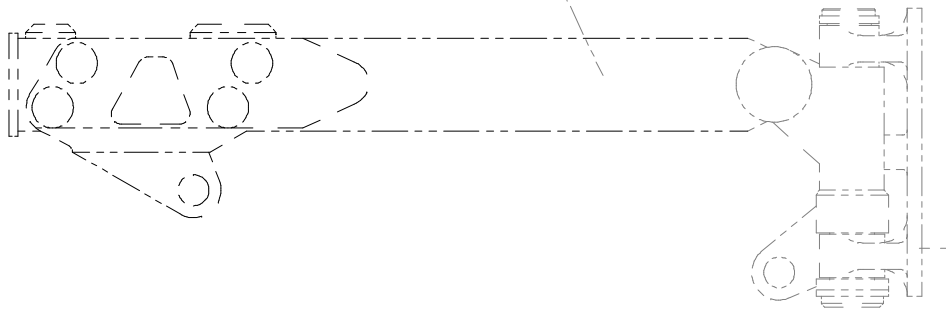
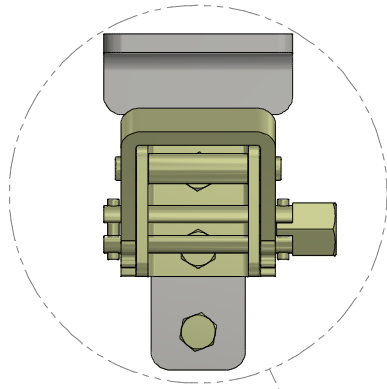
ITEM	PART NUMBER	DESCRIPTION	QTY	COMMENTS
1	MT550 060 501	SB RATCHET BRACKET OUTER	1	
2	MT550 060 502	SB RATCHET BRACKET INNER	1	
3	MT550 060 503	SB RATCHET STRAP	3	50mm x 1.5m
4	MT550 060 504	SB RATCHET COVER MOUNT	1	
5	MT550 060 500	RATCHET 50MM	3	
6	MT0147 1216 00	SCREW	1	M12 x 16
7	MT0147 1398 03	SCREW	1	M12 x 20
8	MT0417 1400 03	SCREW	5	M12 x 25
9	MT0291 1128 22	LOCK NUT	4	

SUITS SANDVIK 421 DRILLS

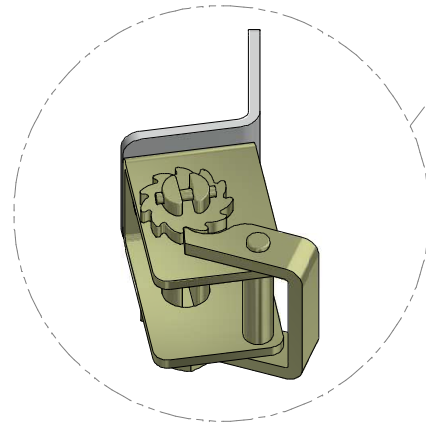


PART NUMBER	DESCRIPTION
MT550 060 500C	SNAKE PIT CHAMER 421 COMPL.
	<b>MAINTENANCE TECHNIQUE</b> UNDERGROUND DRILL RELIABILITY
MT Parts: 0407 059 610 1 Haesy Circuit, Roseworthy S.A. 5371 171 Dugan Street, Kalgoorlie W.A. 6430 <a href="mailto:parts@mtunderground.com">parts@mtunderground.com</a> <a href="http://www.mtunderground.com">www.mtunderground.com</a>	

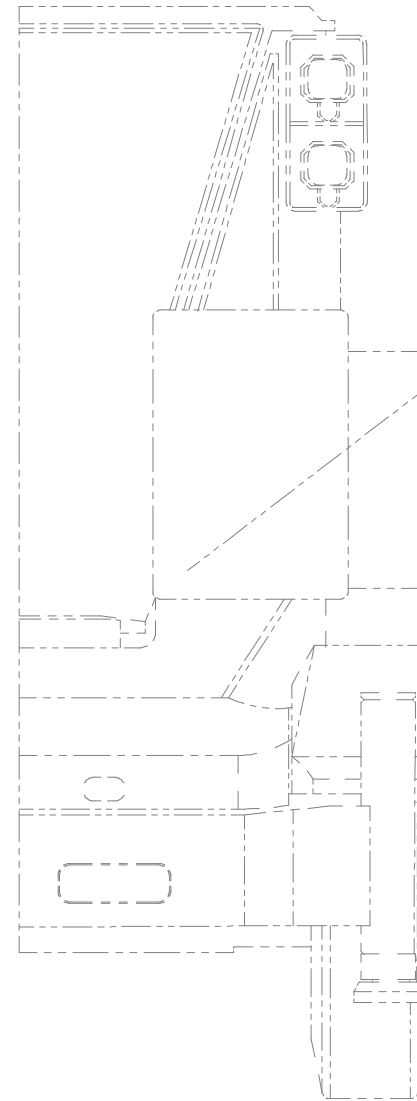
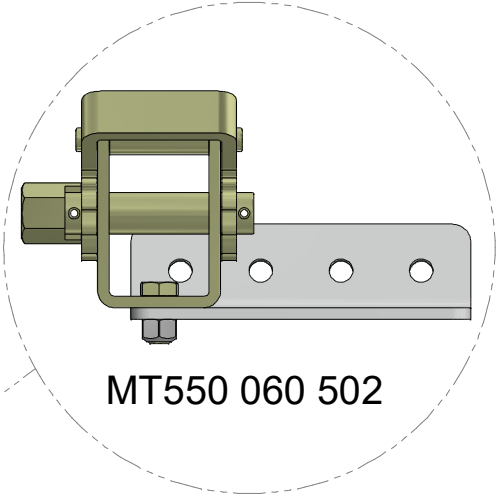
MT550 060 504



MT550 060 501



MT550 060 502



PART NUMBER  
MT550 060 500C

DESCRIPTION  
SNAKE PIT CHARMER 421 COMPL.



**MAINTENANCE  
TECHNIQUE**  
UNDERGROUND DRILL RELIABILITY

MT Parts: 0407 059 610  
1 Haehy Circuit, Roseworthy S.A. 5371  
171 Dugan Street, Kalgoorlie W.A. 6430  
[parts@mtunderground.com](mailto:parts@mtunderground.com)  
[www.mtunderground.com](http://www.mtunderground.com)