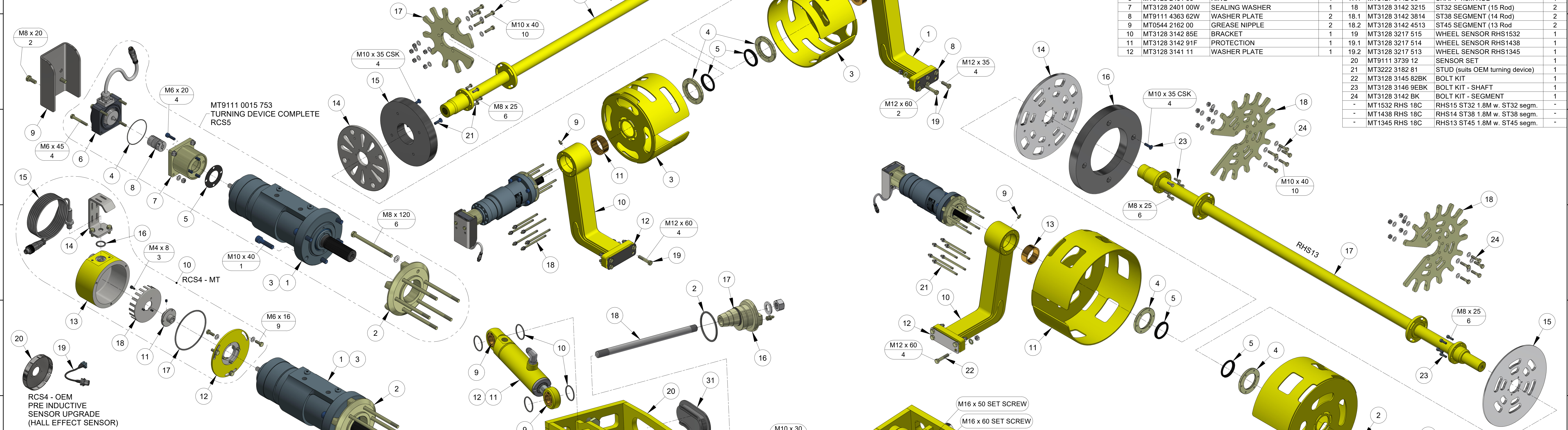


MT RHS09/13 MAGAZINE S7C


 MT Parts: 0407 059 610
 11 Hailey Circuit, Roseworthy S.A. 5371
 171 Dugan Street, Kalgoorlie W.A. 6430
parts@mtunderground.com
www.mtunderground.com

MAGAZINE (1.2m, 1.5m, 1.8M RODS)				MAGAZINE (1.2m, 1.5m, 1.8M RODS)			
ITEM	PART NUMBER	DESCRIPTION	QTY	ITEM	PART NUMBER	DESCRIPTION	QTY
1	MT9111 4363 62	BRACKET - S7C	1	15	MT3128 3142 77	NYLON WEAR DISC	1
2	MT3128 2400 00	BUSHING	2	16	MT3128 3146 95	SHAFT 1.5m ROD	1
3	MT3128 3142 91	PROTECTION	2	16.1	MT3128 3142 93	SHAFT 1.8m ROD	1
4	MT3128 2398 00	RING	2	17	MT3128 3142 032	ST32 SEGMENT (11 Rod)	2
5	MT0665 9100 16	WIPER	3	17.1	MT3128 3142 038	ST38 SEGMENT (10 Rod)	2
6	MT3128 2401 00	RING	2	17.2	MT3128 3142 045	ST45 SEGMENT (9 Rod)	2
7	MT3128 2401 00W	SEALING WASHER	1	18	MT3222 3182 81	STUD (suits OEM turning device)	1
8	MT9111 4363 62W	WASHER PLATE	1	19	MT3128 3145 82BK	BOLT KIT	1
9	MT0544 2162 00	GREASE NIPPLE	2	20	MT3128 3142 BK	BOLT KIT - SEGMENT	1
10	MT3128 3142 85	BRACKET	1	21	MT3128 3146 95BK	BOLT KIT - SHAFT	1
11	MT3128 2400 002	BUSHING	1	-	MT1132 RHS 18C	RHS11 ST32 1.8m w. ST32 segm.	-
12	MT3128 3141 11	WASHER PLATE	1	-	MT1038 RHS 18C	RHS10 ST38 1.8m w. ST38 segm.	-
13	MT3128 3142 71	GABLE PLATE	1	-	MT0945 RHS 18C	RHS09 ST45 1.8m w. ST45 segm.	-
14	MT3128 3142 69	GABLE PLATE	1				

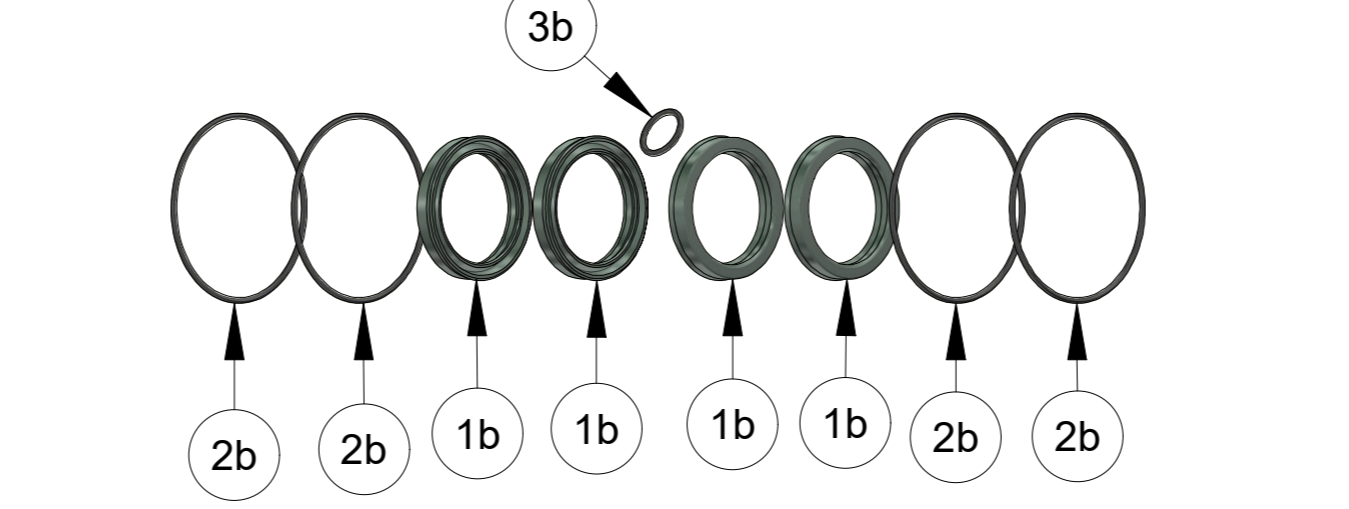
MAGAZINE (1.5m, 1.8M RODS)				MAGAZINE (1.5m, 1.8M RODS)			
ITEM	PART NUMBER	DESCRIPTION	QTY	ITEM	PART NUMBER	DESCRIPTION	QTY
1	MT9111 4363 62E	BRACKET	1	13	MT3128 2400 002	BUSHING	1
2	MT3128 2400 00	BUSHING	2	14	MT3128 3142 695	GABLE PLATE	1
3	MT3128 3142 91E	PROTECTION	1	15	MT3128 3142 71E	GABLE PLATE	1
4	MT3128 2398 00	RING	2	16	MT3128 3142 77E	NYLON WEAR DISC	1
5	MT0665 9100 16	WIPER	3	17	MT3128 3146 95	SHAFT 1.5m ROD	1
6	MT3128 2401 00	RING	1	17.1	MT3127 3142 93	SHAFT 1.8m ROD	1
7	MT3128 2401 00W	SEALING WASHER	1	18	MT3128 3142 3215	ST32 SEGMENT (15 Rod)	2
8	MT9111 4363 62W	WASHER PLATE	2	18.1	MT3128 3142 3814	ST38 SEGMENT (14 Rod)	2
9	MT0544 2162 00	GREASE NIPPLE	2	18.2	MT3128 3142 4513	ST45 SEGMENT (13 Rod)	2
10	MT3128 3142 85E	BRACKET	1	19	MT3128 3217 515	WHEEL SENSOR RHS1532	1
11	MT3128 3142 91F	PROTECTION	1	19.1	MT3128 3217 514	WHEEL SENSOR RHS1438	1
12	MT3128 3141 11	WASHER PLATE	1	19.2	MT3128 3217 513	WHEEL SENSOR RHS1345	1
				20	MT9111 3739 12	SENSOR SET	1
				21	MT3222 3182 81	STUD (suits OEM turning device)	1
				22	MT3128 3145 82BK	BOLT KIT	1
				23	MT3128 3146 95BK	BOLT KIT - SHAFT	1
				24	MT3128 3142 BK	BOLT KIT - SEGMENT	1
				-	MT1532 RHS 18C	RHS15 ST32 1.8M w. ST32 segm.	-
				-	MT1438 RHS 18C	RHS14 ST38 1.8M w. ST38 segm.	-
				-	MT1345 RHS 18C	RHS13 ST45 1.8M w. ST45 segm.	-



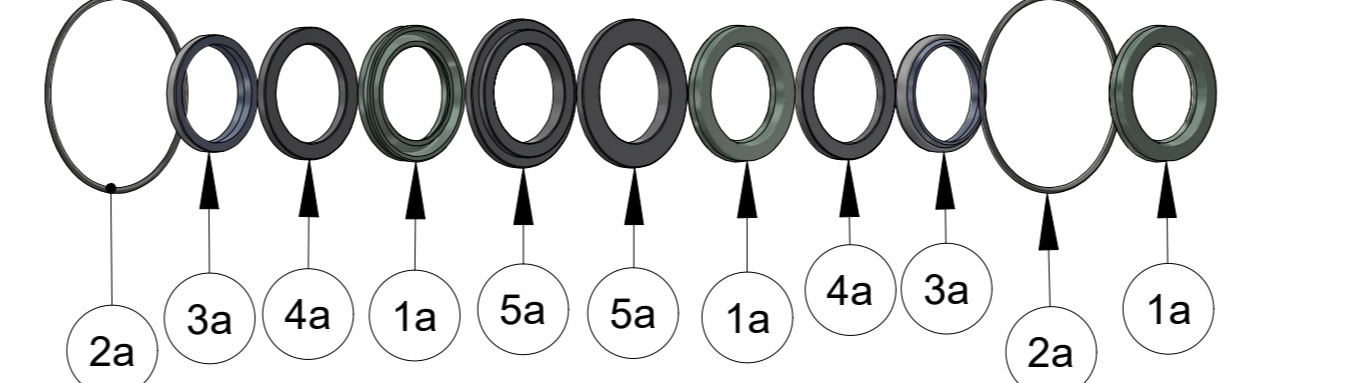
TURNING CYLINDER			
ITEM	PART NUMBER	DESCRIPTION	QTY
1	MT3128 3219 443	TURNING DEVICE - MT HT UNIT (inc. bolts & item 2 adaptor)	1
2	MT3128 3219 442	MOTOR ADAPTOR	1
3	MT3128 3219 447	SEAL KIT	1
4	MT0663 9045 00	O-RING	1
5	MT3128 3217 83	GASKET	1
6	MT9106 9755 91	ANGLE SENSOR - RCS5	1
7	MT9111 0015 76	SENSOR BRACKET	1
8	MT9111 0015 80	COUPLING	1
9	MT3128 3077 24	RESOLVER COVER	1
10	MT3128 3217 109C	SENSOR HOUSING RHS0945 (inc. wheel sensor)	1
10.1	MT3128 3217 110C	SENSOR HOUSING RHS1038 (inc. wheel sensor)	1
10.2	MT3128 3217 111C	SENSOR HOUSING RHS1132 (inc. wheel sensor)	1
10.3	MT3128 3217 113C	SENSOR HOUSING RHS1345 (inc. wheel sensor)	1
10.4	MT3128 3217 114C	SENSOR HOUSING RHS1438 (inc. wheel sensor)	1
10.5	MT3128 3217 115C	SENSOR HOUSING RHS1532 (inc. wheel sensor)	1
11	MT3128 3217 48	HUB	1
12	MT3128 3217 50	END PIECE	1
13	MT3128 3217 501	HOUSING	1
14	MT3128 3217 502	SENSOR MOUNTING GUARD	1
15	MT3128 3217 503	SENSOR COMPLETE (inc. plug & 2.4m cable)	1
16	MT3128 3217 505	O-RING	1
17	MT3128 3217 506	O-RING	1
18	MT3128 3217 109	WHEEL SENSOR RHS0945	1
18.1	MT3128 3217 110	WHEEL SENSOR RHS1038	1
18.2	MT3128 3217 111	WHEEL SENSOR RHS1132	1
18.3	MT3128 3217 113	WHEEL SENSOR RHS1345	1
18.4	MT3128 3217 114	WHEEL SENSOR RHS1438	1
18.5	MT3128 3217 115	WHEEL SENSOR RHS1532	1
19	MT9111 3739 12	SENSOR SET (pre inductive sensor upgrade)	1
20	MT3128 3217 45	WHEEL SENSOR RHS0945 (pre inductive sensor upgrade)	1
20.1	MT3128 3217 56	WHEEL SENSOR RHS1038 (pre inductive sensor upgrade)	1
20.2	MT3128 3217 32	WHEEL SENSOR RHS1132 (pre inductive sensor upgrade)	1
20.3	MT3128 3217 513	WHEEL SENSOR RHS1345 (pre inductive sensor upgrade)	1
20.4	MT3128 3217 514	WHEEL SENSOR RHS1438 (pre inductive sensor upgrade)	1
20.5	MT3128 3217 515	WHEEL SENSOR RHS1532 (pre inductive sensor upgrade)	1

MT3128 3142 7C32 ARM COMPLETE (inc. Jaws)
MT3128 3142 7C38 ARM COMPLETE (inc. Jaws)
MT3128 3142 7C45 ARM COMPLETE (inc. Jaws)

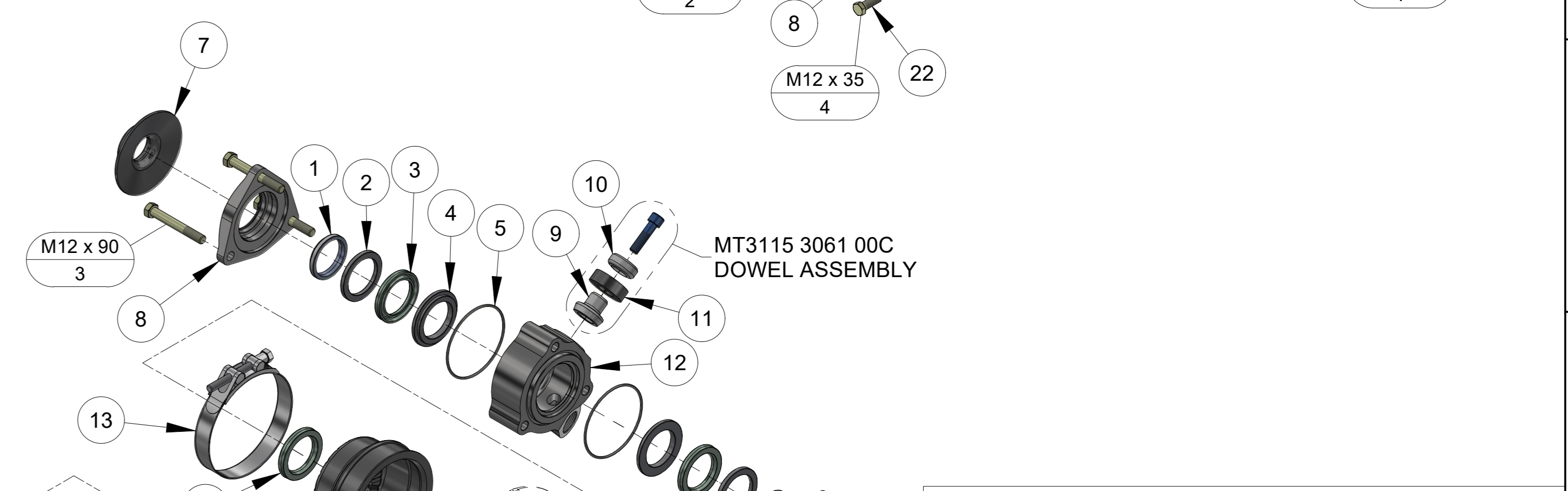
GRIPPER JAWS			
ITEM	PART NUMBER	DESCRIPTION	QTY
34	MT3128 2403 0032	JAW - SWING 32 Dia	1
34.1	MT3128 2403 0038	JAW - SWING 38 Dia	1
34.2	MT3128 2403 0045	JAW - SWING 45 Dia	1
35	MT3128 2407 0032	JAW 32 Dia	1
35.1	MT3128 2407 0138	JAW 38 Dia	1
35.2	MT3128 2407 0245	JAW 45 Dia	1



MT3115 2387 SK FLUSHING KIT 1838 MEX			
ITEM	PART NUMBER	DESCRIPTION	QTY
1b	MT3115 2387 00	CUP SEAL	4
2b	MT0663 6143 01	O-RING	4
3b	MT0663 2126 01	O-RING	1



MT9754 0067 80 FLUSHING KIT 1838 MUX			
ITEM	PART NUMBER	DESCRIPTION	QTY
1a	MT3115 2386 00	CUP SEAL	3
2a	MT0663 2104 94	O-RING	2
3a	MT3115 3236 00	WIPER	2
4a	MT3115 3196 02	GUIDE	2
5a	MT3115 3197 02	GUIDE	2



COP 1838Mux FRONT HEAD PARTS			
ITEM	PART NUMBER	DESCRIPTION	QTY
1	MT3115 3236 00	WIPER	2
2	MT3115 3196 02	GUIDE	2
3	MT3115 2386 00	CUP SEAL	3
4	MT3115 3197 02	GUIDE	2
5	MT0663 2104 94	O-RING	2
6	MT9754 0067 80	FLUSHING KIT (inc. items 1-5)	0
7	MT3115 2232 00	DRILL COLLAR ST45	1
7.1	MT3115 2231 00	DRILL COLLAR ST38	1
8	MT3115 3195 01	COVER	2
9	MT3115 3061 00	DOWEL PIN	1
10	MT3115 3062 00	WASHER	1
11	MT3115 3063 00	BUSHING	1
12	MT3115 3190 00	FLUSHING HEAD	1
13	MT0347 6200 21	HOSE CLAMP	1
14	MT3115 3528 00	SEAL RETAINER	1
15	MT3115 2223 02	GUIDE	1
16	MT3115 3484 00	FRONT BUSH	1
17	MT0335 2177 00	CIRCLIP	1
18	MT3115 3165 00	PISTON	1
19	MT3115 3032 00SK	EXTRACTOR SEAL KIT	1

ITEM PART NUMBER DESCRIPTION QTY				ITEM PART NUMBER DESCRIPTION QTY			
1	MT0500 4500 24E	FLANGE BUSHING	2	17	MT3128 3143 550	O-RING	2
2	MT0500 4500 24O	O-RING	4	18	MT3128 3143 55R	RETAINER (inc. nuts)	1
3	MT0500 4500 61E	BUSH	2	19	MT3128 3146 99E	WASHER	1
4	MT0500 4500 61O	O-RING	2	20	MT3222 3018 40E	ARM	1
5	MT3128 2405 00E	SHAFT (inc. 1/8 nipple)	3	21	MT3222 3062 27B	BUSH	1
6	MT3128 2405 00N	NUT ADAPTOR (inc. w. shafts)	0	22	MT3222 3062 27E	SHAFT (inc. 1/8 nipple)	1
7	MT3128 2427 08E	RETAINER ARM	1	23	MT3222 3139 591	SWING CYLINDER	1
8	MT3128 2427 14E	ATTACHMENT	1	24	MT3222 3139 59SK	SEAL KIT	1
9	MT3128 3093 85	BUSH	2	25	MT3222 3139 59B	BUSH	2
10	MT3128 3093 85O	O-RING	4	26	MT3222 3139 59O	O-RING	4
11	MT3128 3093 86	CLAMP CYLINDER (Gripper arm)	1	27	MT3222 1488 083	GRIPPER PROXY SENSOR (1300mm IP69 sold separate)	0
12	MT3128 3093 86SK	SEAL KIT	1	28	MT3128 3142 782	SINGLE SENSOR BRKT SET (single prox system)	1
13	MT3128 3142 84E	BRACKET	1	29	MT3222 1488 08	INDUCTIVE SENSOR (dual prox system sold separate)	0
14	MT3128 3143 27E	SHAFT	1	30	MT3128 3142 781	SENSOR BRKT SET (dual prox system)	1
15	MT3128 3143 27N	NUT	1	31	MT3128 3142 BP	SENSOR COVER	1
16	MT3128 3143 55E	SHAFT (inc. 1/8 nipple)	2	32	MT0211 1960 79	BOLT (M8x110 SHCS)	1
				33	MT3128 3142 7CBK	BOLT KIT	1