
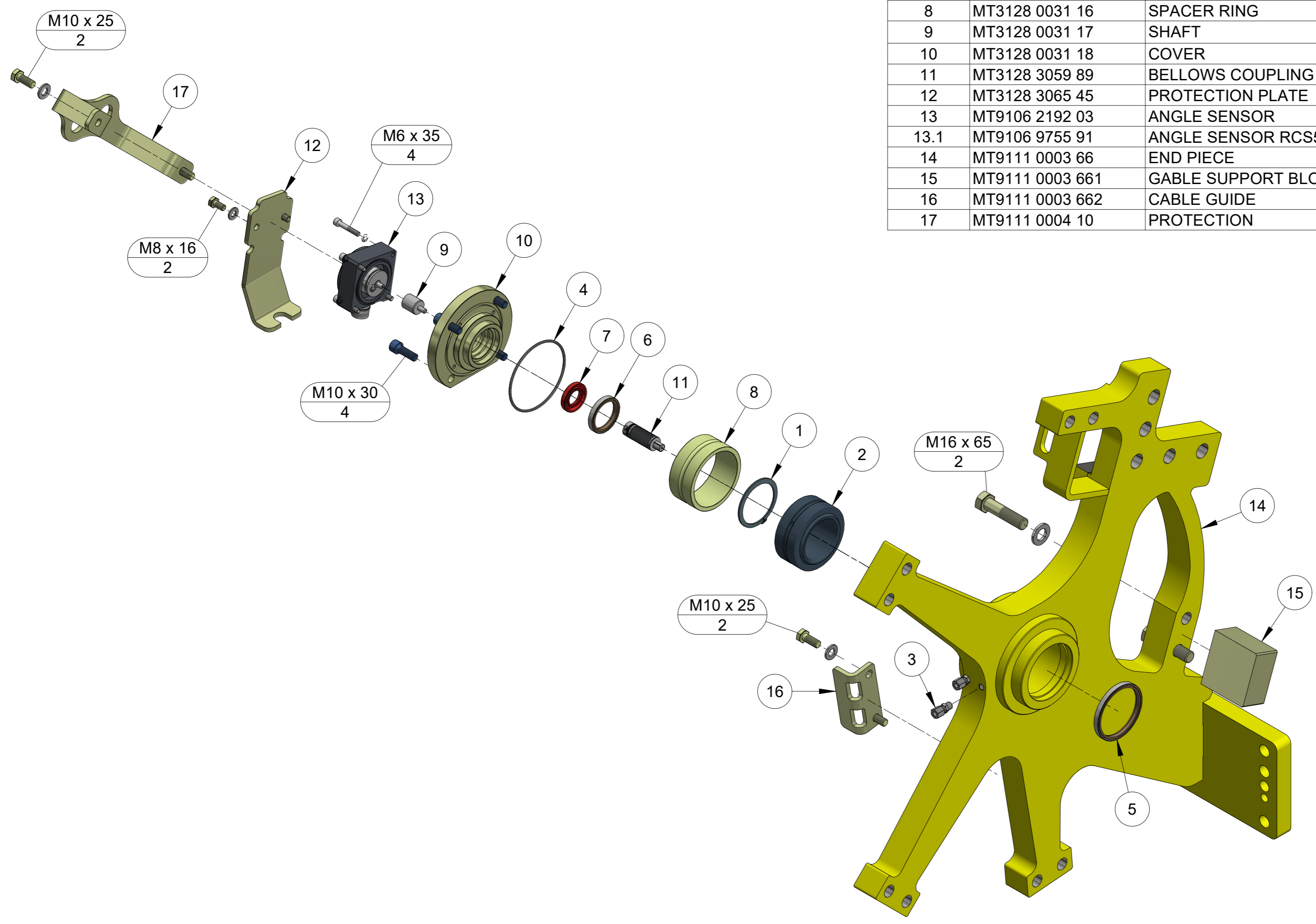


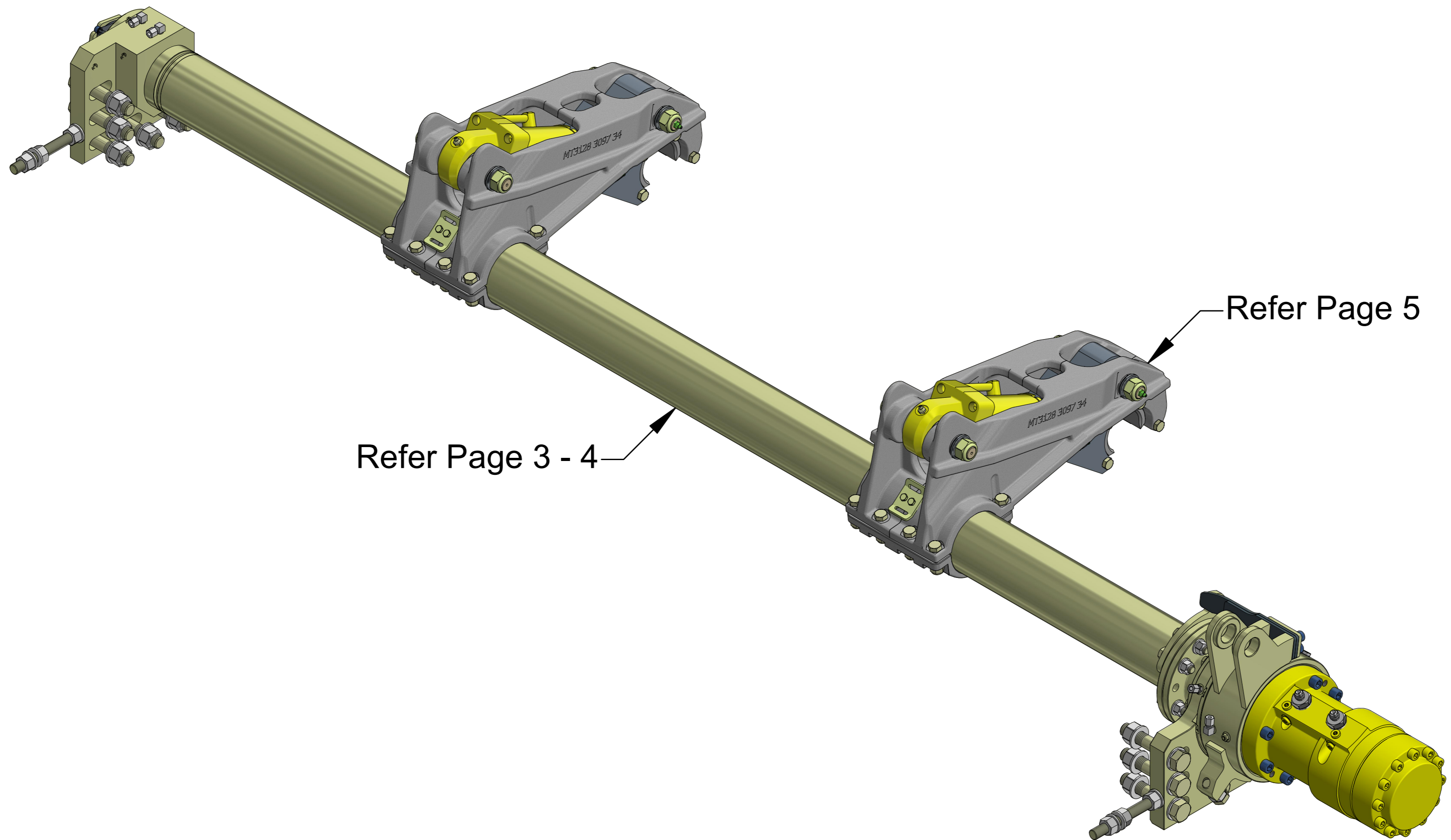


PART NUMBER MT9111 0000 15	DESCRIPTION CAROUSEL 1.5m - RHS27E
PART NUMBER MT9111 0000 18	DESCRIPTION CAROUSEL 1.8m - RHS27E
	
MAINTENANCE TECHNIQUE <small>UNDERGROUND DRILL RELIABILITY</small>	
MT Parts: 0407 059 610 1 Haesy Circuit, Roseworthy S.A. 5371 171 Dugan Street, Kalgoorlie W.A. 6430 parts@mtunderground.com www.mtunderground.com	

ITEM	PART NUMBER	DESCRIPTION	QTY	COMMENTS
1	MT0335 1151 00	CIRCLIP	1	
2	MT0501 0019 01	BEARING	1	
3	MT0580 0002 00	COUPLING STRAIGHT	2	
4	MT0663 6143 00	O-Ring	1	
5	MT0665 9100 86	WIPER	1	
6	MT0665 9100 88	WIPER	1	
7	MT0666 6000 56	LIP SEAL	1	
8	MT3128 0031 16	SPACER RING	1	
9	MT3128 0031 17	SHAFT	1	
10	MT3128 0031 18	COVER	1	
11	MT3128 3059 89	BELLOWS COUPLING	1	
12	MT3128 3065 45	PROTECTION PLATE	1	
13	MT9106 2192 03	ANGLE SENSOR	1	
13.1	MT9106 9755 91	ANGLE SENSOR RCS5		
14	MT9111 0003 66	END PIECE	1	
15	MT9111 0003 661	GABLE SUPPORT BLOCK	1	
16	MT9111 0003 662	CABLE GUIDE	1	
17	MT9111 0004 10	PROTECTION	1	



PART NUMBER	DESCRIPTION
	BOTTOM FRAME
	
	
<p>MT Parts: 0407 059 610 1 Hahey Circuit, Roseworthy S.A. 5371 171 Dugan Street, Kalgoorlie W.A. 6430</p>	
parts@mtunderground.com www.mtunderground.com	PAGE 1



Refer Page 3 - 4

Refer Page 5

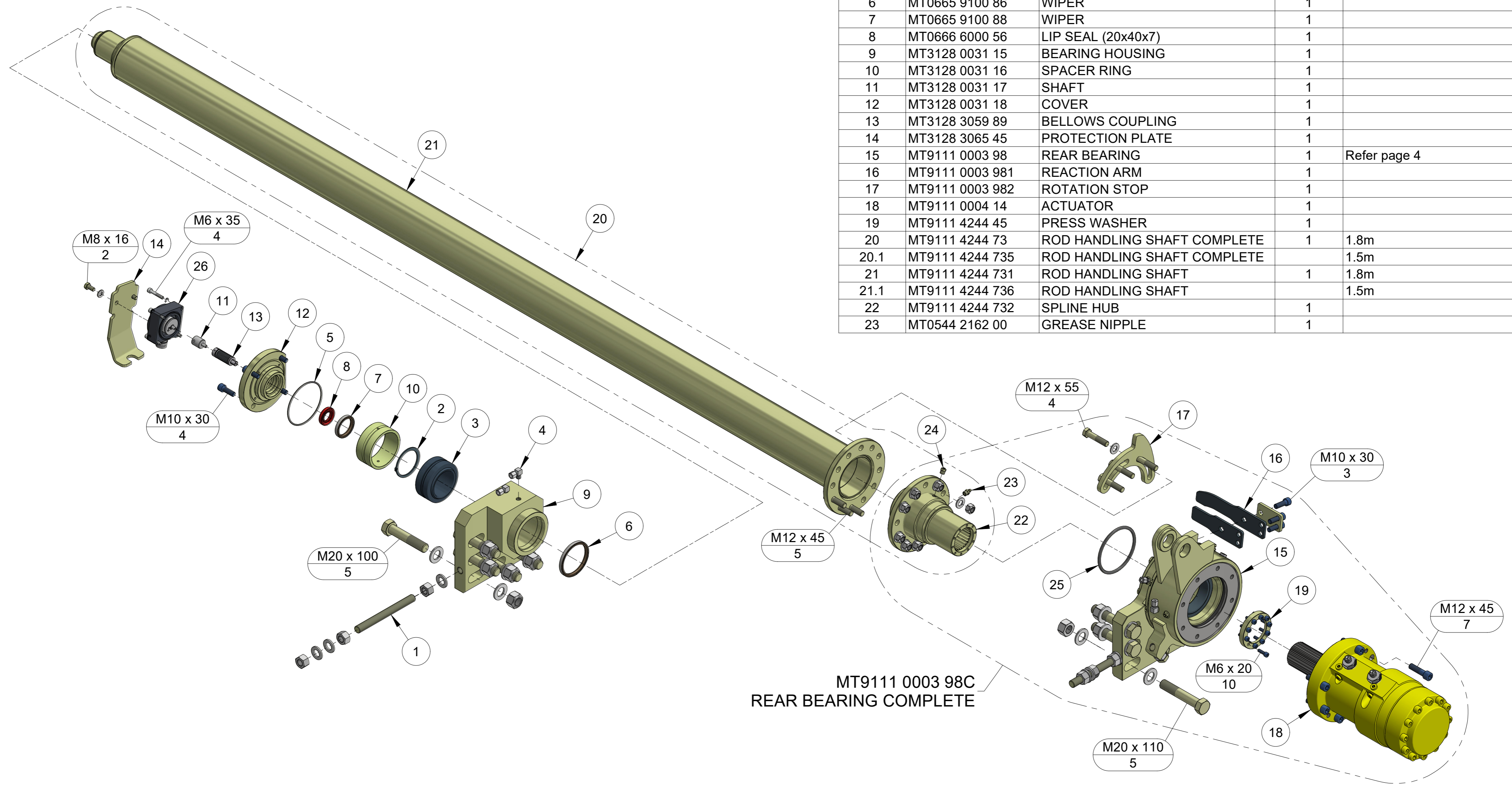
PART NUMBER	DESCRIPTION
MT9111 0004 015	GRIPPER ARM SHAFT COMPLETE 1.5m
PART NUMBER	DESCRIPTION
MT9111 0004 01	GRIPPER ARM SHAFT COMPLETE 1.8m




MT Parts: 0407 059 610
 1 Hahey Circuit, Roseworthy S.A. 5371
 171 Dugan Street, Kalgoorlie W.A. 6430
parts@mtunderground.com
www.mtunderground.com


ITEM	PART NUMBER	DESCRIPTION	QTY	COMMENTS
24	MT3128 3151 485	RELIEF VALVE	1	
25	MT9111 4244 733	O-RING	1	
26	MT9106 2192 03	ANGLE SENSOR	1	
26.1	MT9106 9755 91	ANGLE SENSOR RCS5		

ITEM	PART NUMBER	DESCRIPTION	QTY	COMMENTS
1	MT0248 9979 54	THREADED ROD	2	
2	MT0335 1151 00	CIRCLIP	1	
3	MT0501 0019 01	BEARING	1	
4	MT0580 2202 00	COUPLING 90°	2	
5	MT0663 6143 00	O-RING	1	
6	MT0665 9100 86	WIPER	1	
7	MT0665 9100 88	WIPER	1	
8	MT0666 6000 56	LIP SEAL (20x40x7)	1	
9	MT3128 0031 15	BEARING HOUSING	1	
10	MT3128 0031 16	SPACER RING	1	
11	MT3128 0031 17	SHAFT	1	
12	MT3128 0031 18	COVER	1	
13	MT3128 3059 89	BELLOWS COUPLING	1	
14	MT3128 3065 45	PROTECTION PLATE	1	
15	MT9111 0003 98	REAR BEARING	1	Refer page 4
16	MT9111 0003 981	REACTION ARM	1	
17	MT9111 0003 982	ROTATION STOP	1	
18	MT9111 0004 14	ACTUATOR	1	
19	MT9111 4244 45	PRESS WASHER	1	
20	MT9111 4244 73	ROD HANDLING SHAFT COMPLETE	1	1.8m
20.1	MT9111 4244 735	ROD HANDLING SHAFT COMPLETE		1.5m
21	MT9111 4244 731	ROD HANDLING SHAFT	1	1.8m
21.1	MT9111 4244 736	ROD HANDLING SHAFT		1.5m
22	MT9111 4244 732	SPLINE HUB	1	
23	MT0544 2162 00	GREASE NIPPLE	1	



PART NUMBER MT9111 0003 985CA	DESCRIPTION GRIPPER ARM SHAFT 1.5m
PART NUMBER MT9111 0003 98CA	DESCRIPTION GRIPPER ARM SHAFT 1.8m



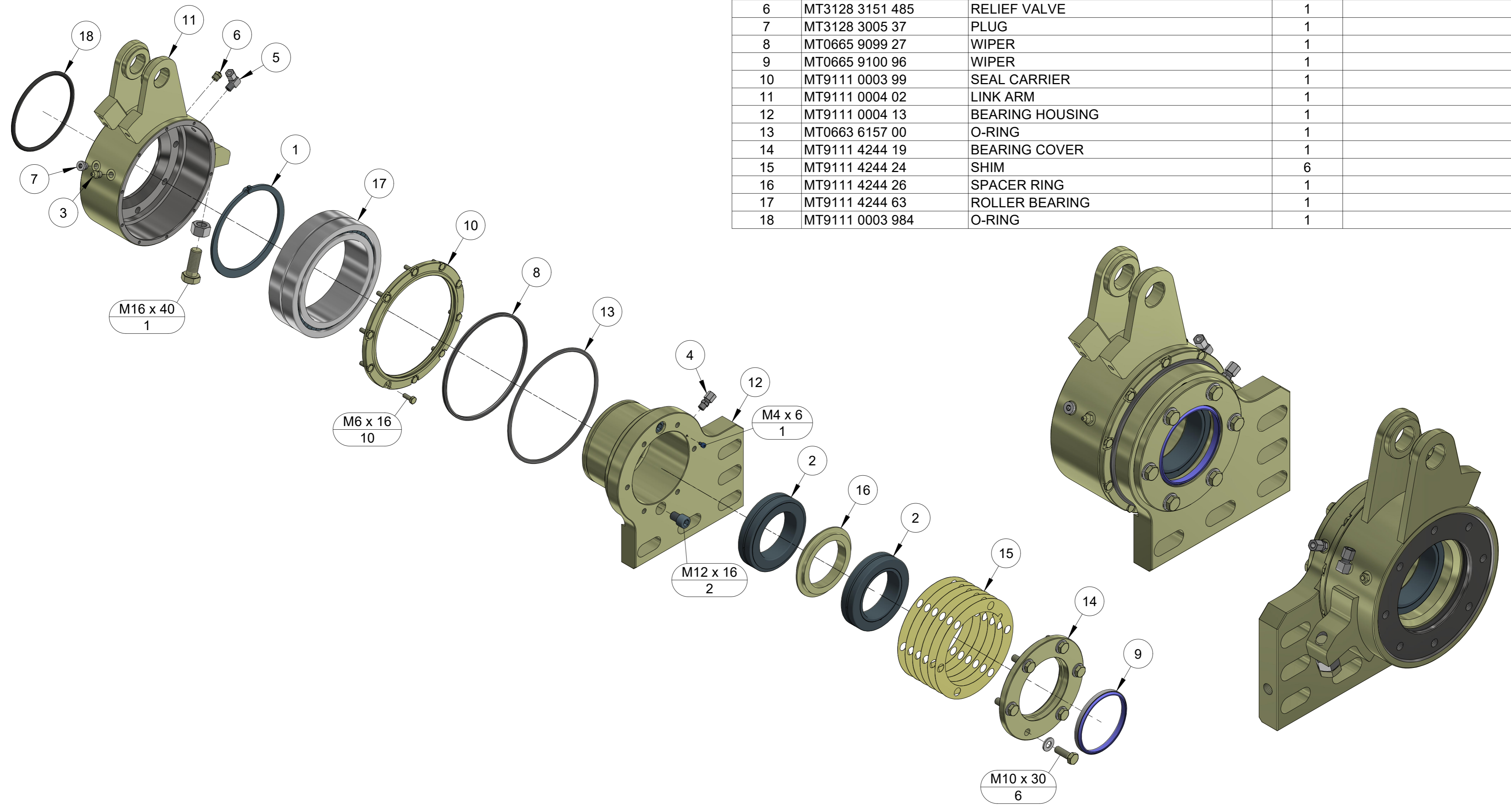


UNDERGROUND DRILL RELIABILITY

MT Parts: 0407 059 610
1 Haehy Circuit, Roseworthy S.A. 5371
171 Dugan Street, Kalgoorlie W.A. 6430
parts@mtunderground.com
www.mtunderground.com

PAGE **3**

ITEM	PART NUMBER	DESCRIPTION	QTY	COMMENTS
1	MT0335 1178 00	CIRCLIP	1	
2	MT0501 0000 81	ANGULAR SPHERICAL BEARING	2	
3	MT0544 2162 00	GREASE NIPPLE	1	
4	MT0580 0002 00	COUPLING STRAIGHT	1	
5	MT0580 2202 00	COUPLING 90°	1	
6	MT3128 3151 485	RELIEF VALVE	1	
7	MT3128 3005 37	PLUG	1	
8	MT0665 9099 27	WIPER	1	
9	MT0665 9100 96	WIPER	1	
10	MT9111 0003 99	SEAL CARRIER	1	
11	MT9111 0004 02	LINK ARM	1	
12	MT9111 0004 13	BEARING HOUSING	1	
13	MT0663 6157 00	O-RING	1	
14	MT9111 4244 19	BEARING COVER	1	
15	MT9111 4244 24	SHIM	6	
16	MT9111 4244 26	SPACER RING	1	
17	MT9111 4244 63	ROLLER BEARING	1	
18	MT9111 0003 984	O-RING	1	

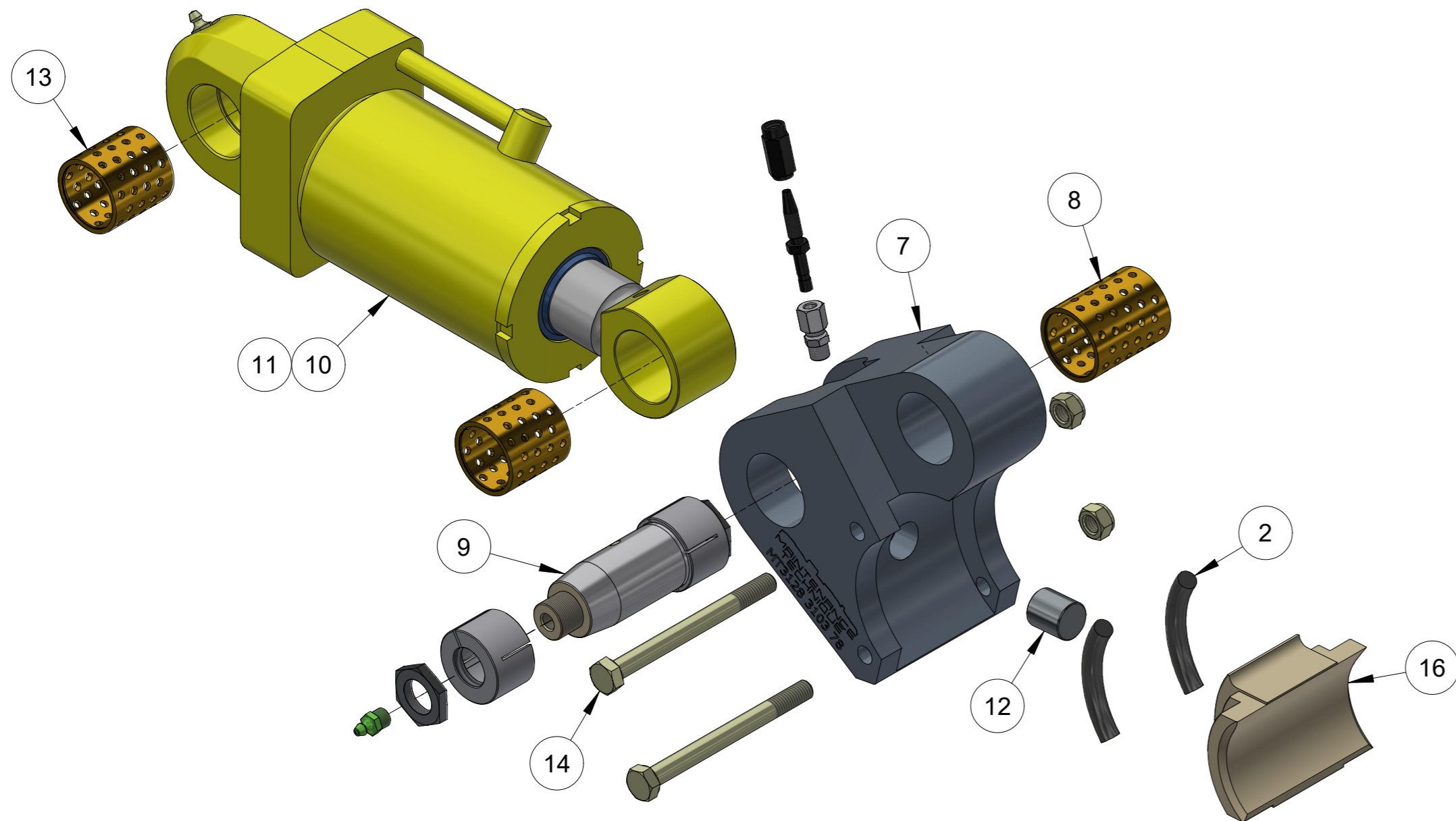
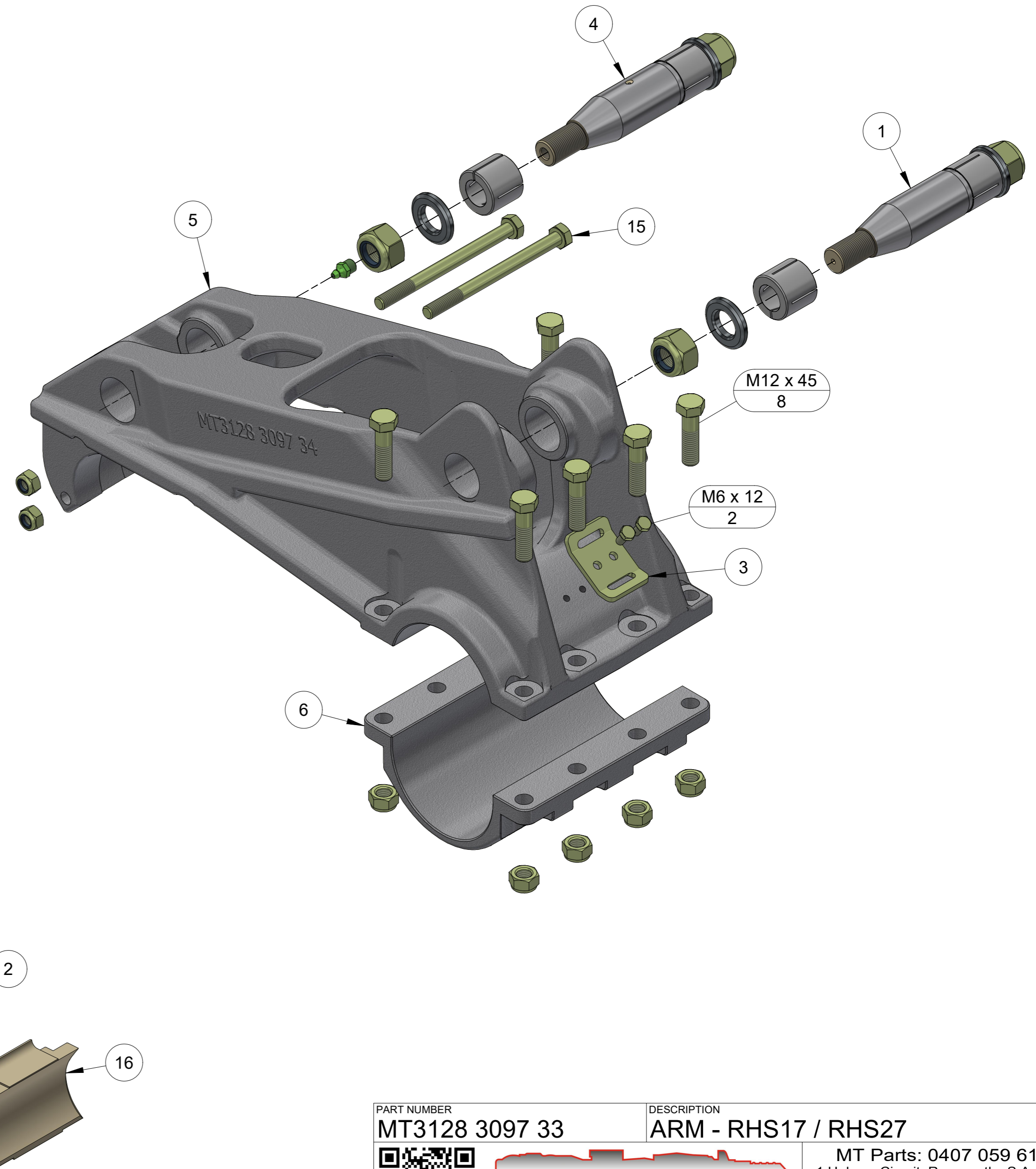



PART NUMBER MT9111 0003 98	DESCRIPTION REAR BEARING
	
MT Parts: 0407 059 610 1 Hahey Circuit, Roseworthy S.A. 5371 171 Dugan Street, Kalgoorlie W.A. 6430 parts@mtunderground.com <small>PAGE</small> www.mtunderground.com	
4	

ITEM	PART NUMBER	DESCRIPTION	QTY	COMMENTS
1	MT3128 0031 55	EXPANDING SHAFT	1	No grease point
2	MT3128 2353 00	DAMPING ELEMENT	4	
3	MT3128 2597 50	ATTACHMENT	1	
4	MT3128 3063 83	EXPANDING SHAFT	1	
5	MT3128 3097 34	ARM	1	
6	MT3128 3097 36	CLAMP	1	
7	MT3128 3103 78	JAW	1	
8	MT3128 3104 53	BUSHING	1	
9	MT3128 3105 98	EXPANDING SHAFT	1	
10	MT3128 3106 12	HYDRAULIC CYLINDER	1	
11	MT9120 0993 09	ARM CYLINDER SEAL KIT	1	
12	MT3128 3107 02	PIN GRIPPER DOWEL	2	
13	MT3128 3106 13	BUSHING	2	
14	MT0147 1380 03	SCREW	2	
15	MT0147 1382 03	SCREW	2	

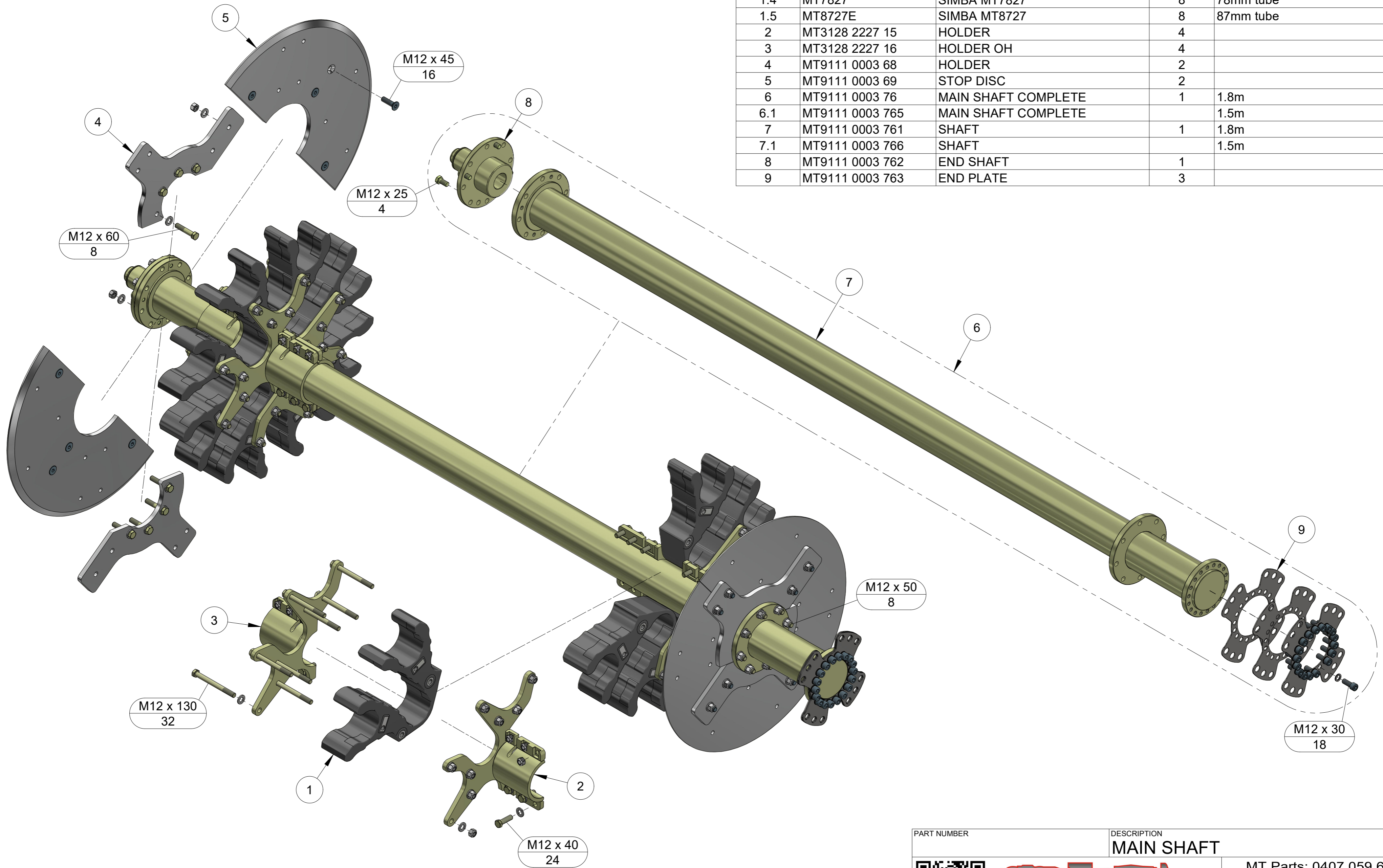
GRIPPER JAWS (sold separate)



ITEM	PART NUMBER	DESCRIPTION	QTY	COMMENTS
16	MT3128 3104 20	JAW 32	2	RHS17
16.1	MT3128 3104 21	JAW 38	2	RHS17
16.2	MT3128 3104 22	JAW 45	2	RHS17
16.3	MT3128 3104 25	JAW 64	2	RHS17
16.4	MT3128 3104 51	JAW 51	2	RHS27
16.5	MT3128 3104 26	JAW 76	2	RHS27
16.6	MT3128 3104 27	JAW 87	2	RHS27

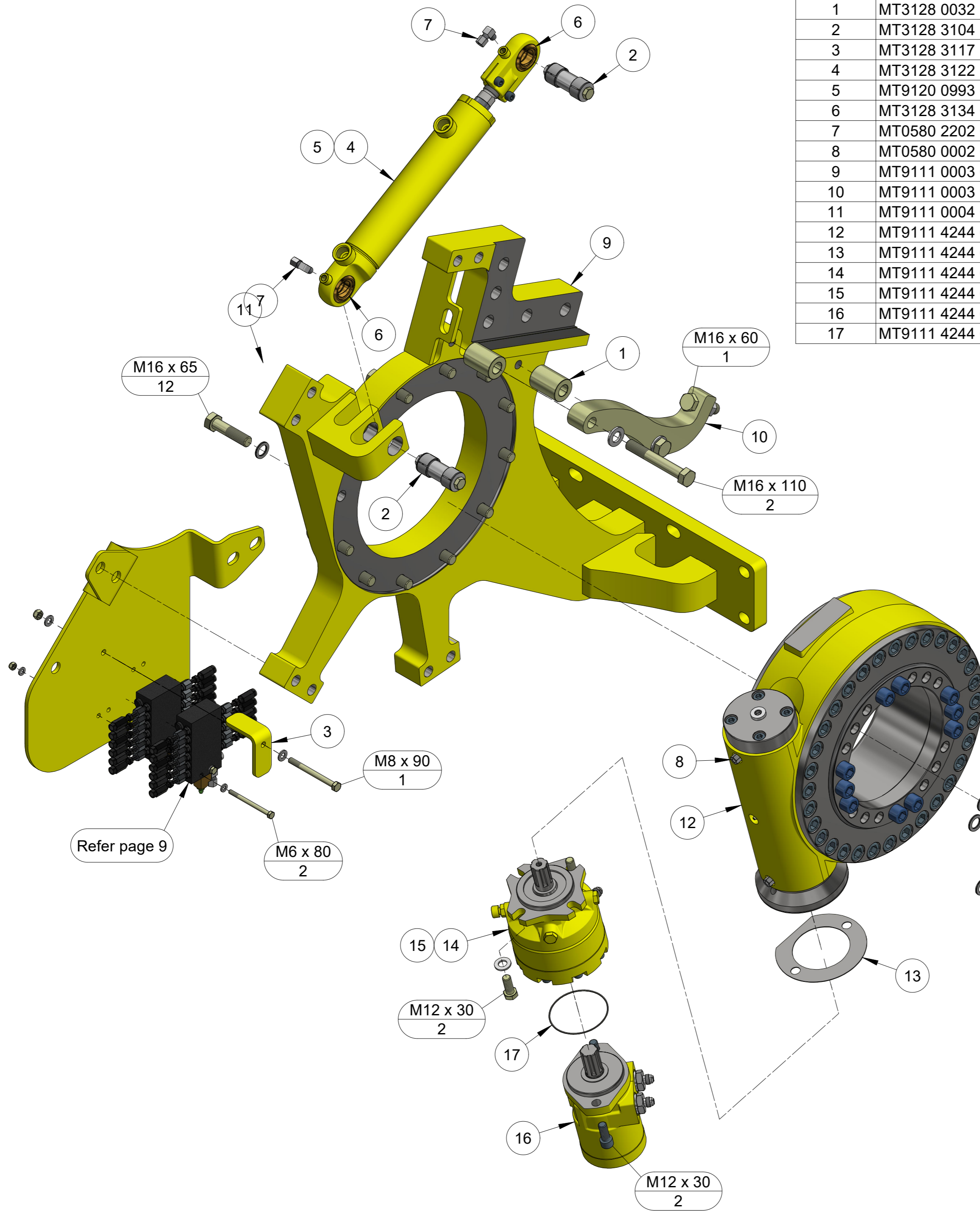


PART NUMBER MT3128 3097 33	DESCRIPTION ARM - RHS17 / RHS27
	<p>MT Parts: 0407 059 610 1 Haehy Circuit, Roseworthy S.A. 5371 171 Dugan Street, Kalgoorlie W.A. 6430 parts@mtunderground.com www.mtunderground.com</p>
 <p>MAINTENANCE TECHNIQUE UNDERGROUND DRILL RELIABILITY</p>	
PAGE 5	

ITEM	PART NUMBER	DESCRIPTION	QTY	COMMENTS
1	MT4527	SIMBA MT4527	8	45mm tube
1.1	MT5127	SIMBA MT5127	8	51mm tube
1.2	MT6427	SIMBA MT6427	8	64mm tube
1.3	MT7627	SIMBA MT7627	8	76mm tube
1.4	MT7827	SIMBA MT7827	8	78mm tube
1.5	MT8727E	SIMBA MT8727	8	87mm tube
2	MT3128 2227 15	HOLDER	4	
3	MT3128 2227 16	HOLDER OH	4	
4	MT9111 0003 68	HOLDER	2	
5	MT9111 0003 69	STOP DISC	2	
6	MT9111 0003 76	MAIN SHAFT COMPLETE	1	1.8m
6.1	MT9111 0003 765	MAIN SHAFT COMPLETE		1.5m
7	MT9111 0003 761	SHAFT	1	1.8m
7.1	MT9111 0003 766	SHAFT		1.5m
8	MT9111 0003 762	END SHAFT	1	
9	MT9111 0003 763	END PLATE	3	





PART NUMBER	DESCRIPTION
	MAIN SHAFT
	
	
MT Parts: 0407 059 610 1 Hahey Circuit, Roseworthy S.A. 5371 171 Dugan Street, Kalgoorlie W.A. 6430 parts@mtunderground.com www.mtunderground.com	
PAGE	6



ITEM	PART NUMBER	DESCRIPTION	QTY	COMMENTS
1	MT3128 0032 11	SPACER	2	
2	MT3128 3104 72	RHS PIN COMPLETE	2	
3	MT3128 3117 14b	GREASE PORT BRACKET	1	
4	MT3128 3122 31	CYLINDER	1	
5	MT9120 0993 05	SEAL KIT		Cylinder
6	MT3128 3134 05	BRONZE CYLINDER BUSH	2	
7	MT0580 2202 00	COUPLING 90°	2	
8	MT0580 0002 08	COUPLING STRAIGHT M8	2	
9	MT9111 0003 60	END PIECE	1	
10	MT9111 0003 97	ARM STOP	1	
11	MT9111 0004 09	VALVE BRACKET	1	
12	MT9111 4244 67	WORM GEAR UNIT	1	Includes spacer
13	MT9111 4244 671	SPACER - WORM GEAR UNIT		
14	MT9111 4244 68	HYDRAULIC BRAKE	1	
15	MT9111 4244 68SK	SEAL KIT		Brake
16	MT9111 4244 69	HYDRAULIC MOTOR	1	
17	MT9111 4244 691	O-RING	1	

PART NUMBER	DESCRIPTION
	TOP FRAME



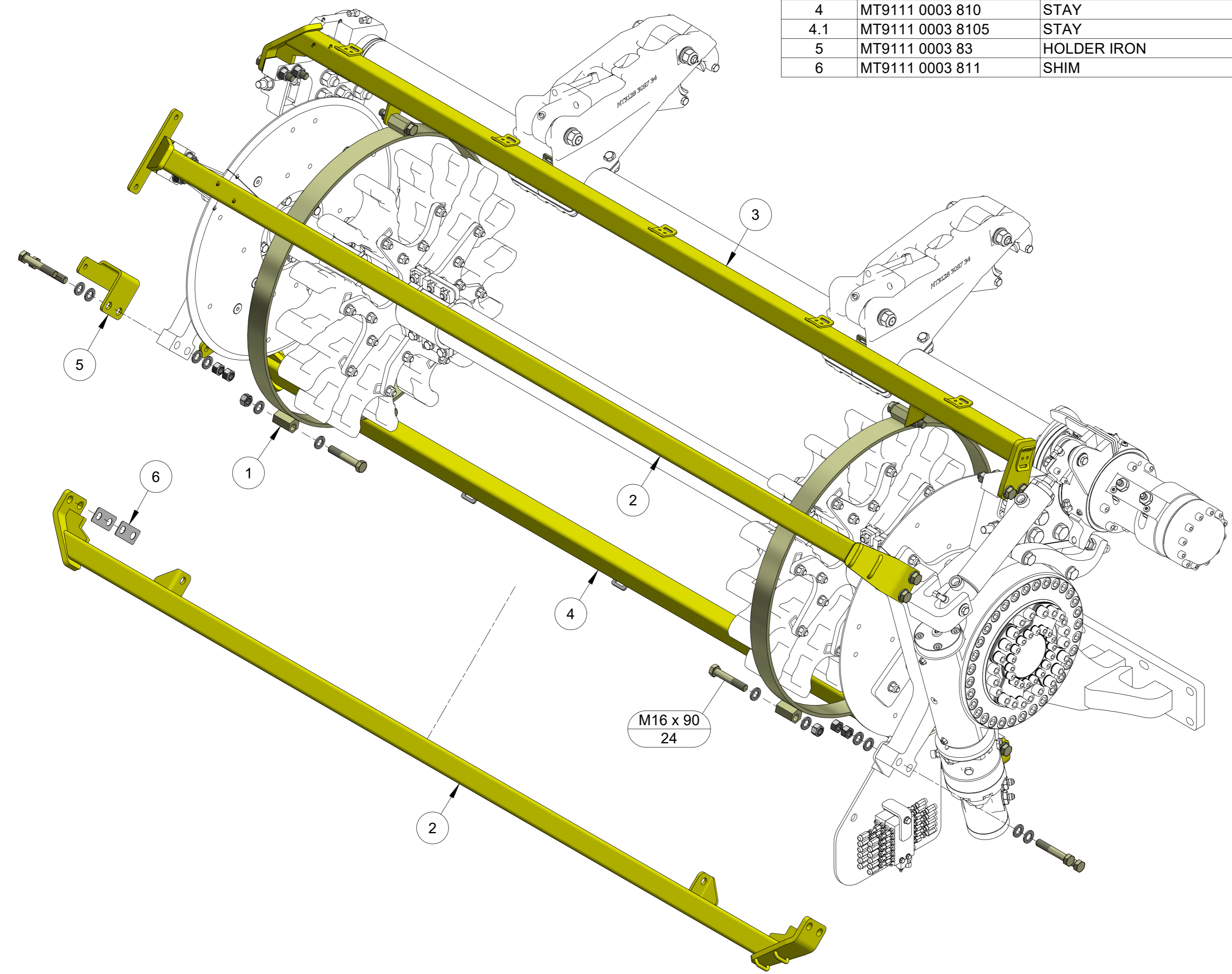




UNDERGROUND DRILL RELIABILITY

MT Parts: 0407 059 610
 1 Hahey Circuit, Roseworthy S.A. 5371
 171 Dugan Street, Kalgoorlie W.A. 6430
parts@mtunderground.com
www.mtunderground.com

PAGE	7
------	----------

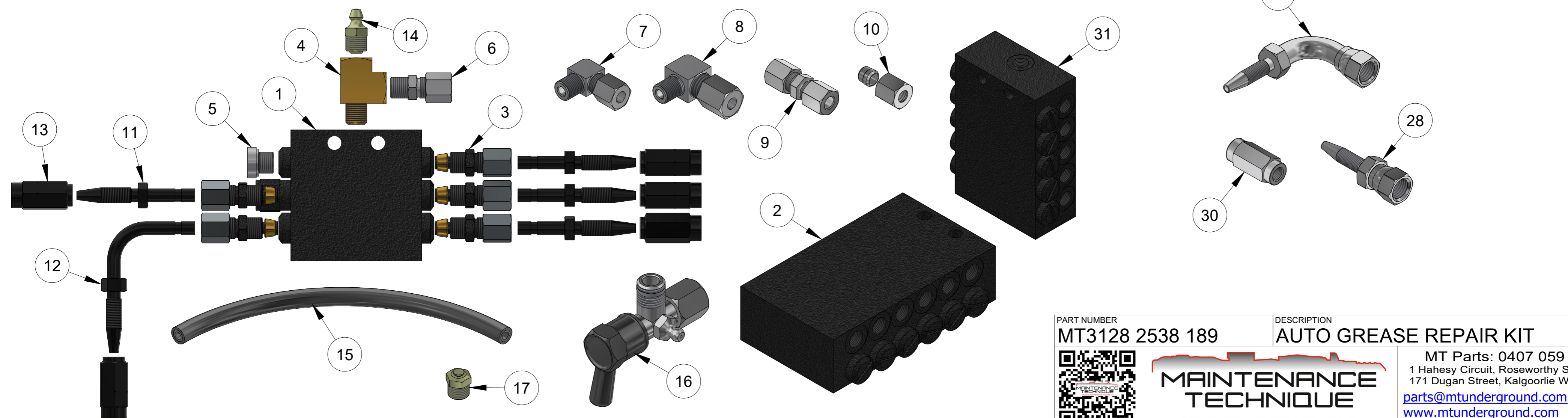
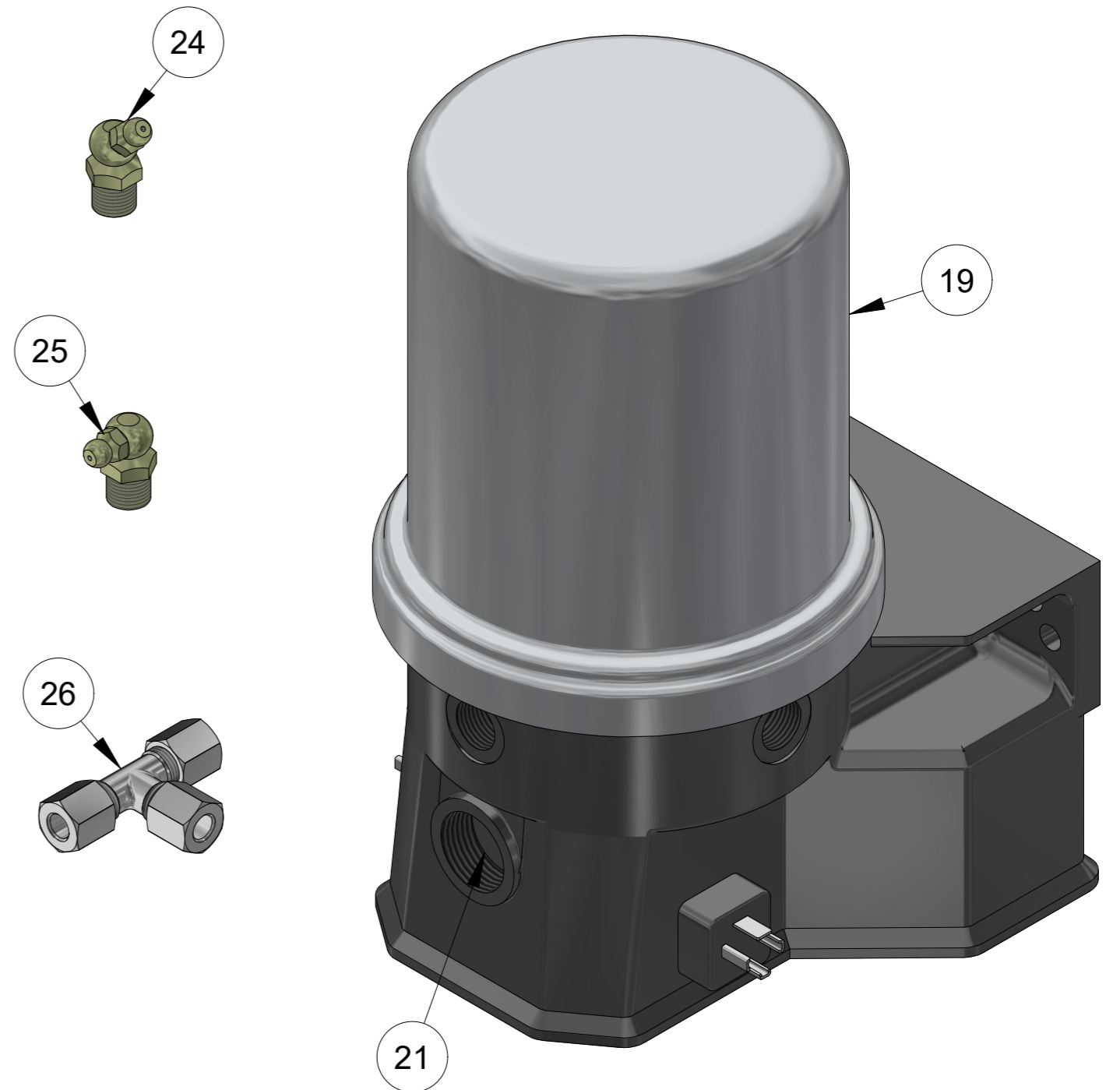
ITEM	PART NUMBER	DESCRIPTION	QTY	COMMENTS
1	MT3128 3102 93	PROTECTION ARCH	2	
2	MT9111 0003 81	STAY	2	1.8m
2.1	MT9111 0003 815	STAY		1.5m
3	MT9111 0011 81	STAY	1	1.8m
3.1	MT9111 0011 815	STAY		1.5m
4	MT9111 0003 810	STAY	1	1.8m
4.1	MT9111 0003 8105	STAY		1.5m
5	MT9111 0003 83	HOLDER IRON	3	
6	MT9111 0003 811	SHIM	8	



PART NUMBER	DESCRIPTION
	MID FRAME
 	
UNDERGROUND DRILL RELIABILITY	
MT Parts: 0407 059 610 1 Haehy Circuit, Roseworthy S.A. 5371 171 Dugan Street, Kalgoorlie W.A. 6430 parts@mtunderground.com www.mtunderground.com	
PAGE	8

ITEM	PART NUMBER	DESCRIPTION	QTY	COMMENTS
1	MT3128 2538 17	GREASE DISTRIBUTOR BLOCK 6 PORT	1	With indicator
2	MT3128 2538 18	GREASE DISTRIBUTOR BLOCK 12 PORT	1	
3	MT3128 2539 95	CHECK VALVE	6	
4	MT3128 2538 12	ADAPTOR T	2	Grease block
5	MT3128 3005 37	PLUG	6	Grease block
6	MT0580 0002 00	COUPLING STRAIGHT	10	
7	MT0580 2202 00	COUPLING 90°	10	1/8" BSP (12mm hex nut)
8	MT0580 2014 07	COUPLING 90°	6	1/8" BSP (14mm hex nut)
9	MT3128 2538 08J	HOSE JOINER	10	
10	MT3128 2539 9A	NUT & OLIVE	6	
11	MT3128 2538 09	HOSE ADAPTOR STRAIGHT	10	
12	MT3128 2538 90	HOSE ADAPTER 90°	10	
13	MT3128 2538 08	THREADED SLEEVE	20	
14	MT0544 2162 00	GREASE NIPPLE	10	1/8" BSP
15	MT3128 2538 10	HIGH POWER PIPE	10	Order by metre
16	MT3128 2538 02	SAFETY VALVE	1	Pump outlet
17	MT3128 3151 485	RELIEF VALVE	2	Grease, 5 Bar
18	MT9106 1900 012	STORAGE BOX	1	Not shown
19	MT3128 2538 36	GREASE PUMP		Not in repair kit, supplied with 1 pump element
20	MT3128 2538 01	PUMP ELEMENT		Not in repair kit
21	MT3128 3049 45	CIRCUIT BOARD		Not in repair kit
22	MT3128 2538 03	GREASE DISTRIBUTOR BLOCK 8 PORT		Not in repair kit, not shown
23	MT3128 2538 19	GREASE DISTRIBUTOR BLOCK 12 PORT		Not in repair kit, with indicator, not shown
24	MT0544 2362 00	GREASE NIPPLE 45°		Not in repair kit, 1/8" BSP
25	MT0544 2562 00	GREASE NIPPLE 90°		Not in repair kit, 1/8" BSP
26	MT0580 4602 00	TEE JOINER		Not in repair kit
27	MT5112 2164 00	PVC HIGH POWER PIPE		Not in repair kit, order by metre
28	MT3128 2538 73	HOSE STUD - 7/16"		Not in repair kit
29	MT3128 2538 77	HOSE STUD 90° SHORT - 7/16"		Not in repair kit
30	MT3128 2538 79	THREADED SLEEVE - 7/16"		Not in repair kit
31	MT3128 2538 87	GREASE DISTRIBUTOR BLOCK 10 PORT		Not in repair kit

Auto Grease Repair Kit



PART NUMBER MT3128 2538 189	DESCRIPTION AUTO GREASE REPAIR KIT
	
MT Parts: 0407 059 610 1 Haahy Circuit, Roseworthy S.A. 5371 171 Dugan Street, Kalgoorlie W.A. 6430 parts@mtunderground.com www.mtunderground.com	
UNDERGROUND DRILL RELIABILITY	
PAGE 9	