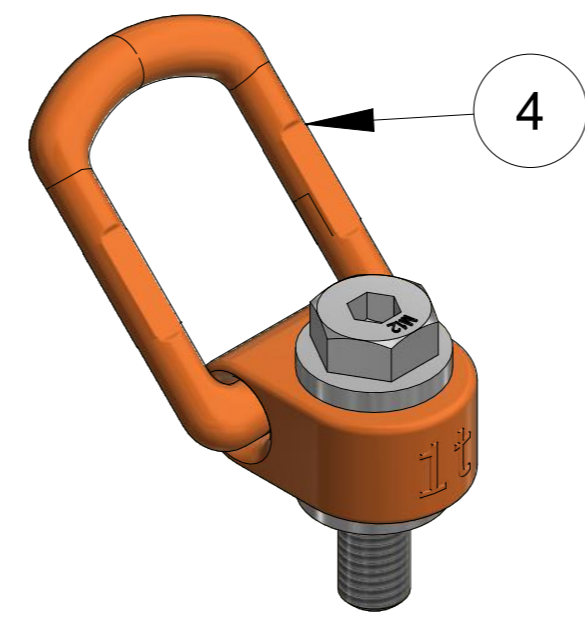
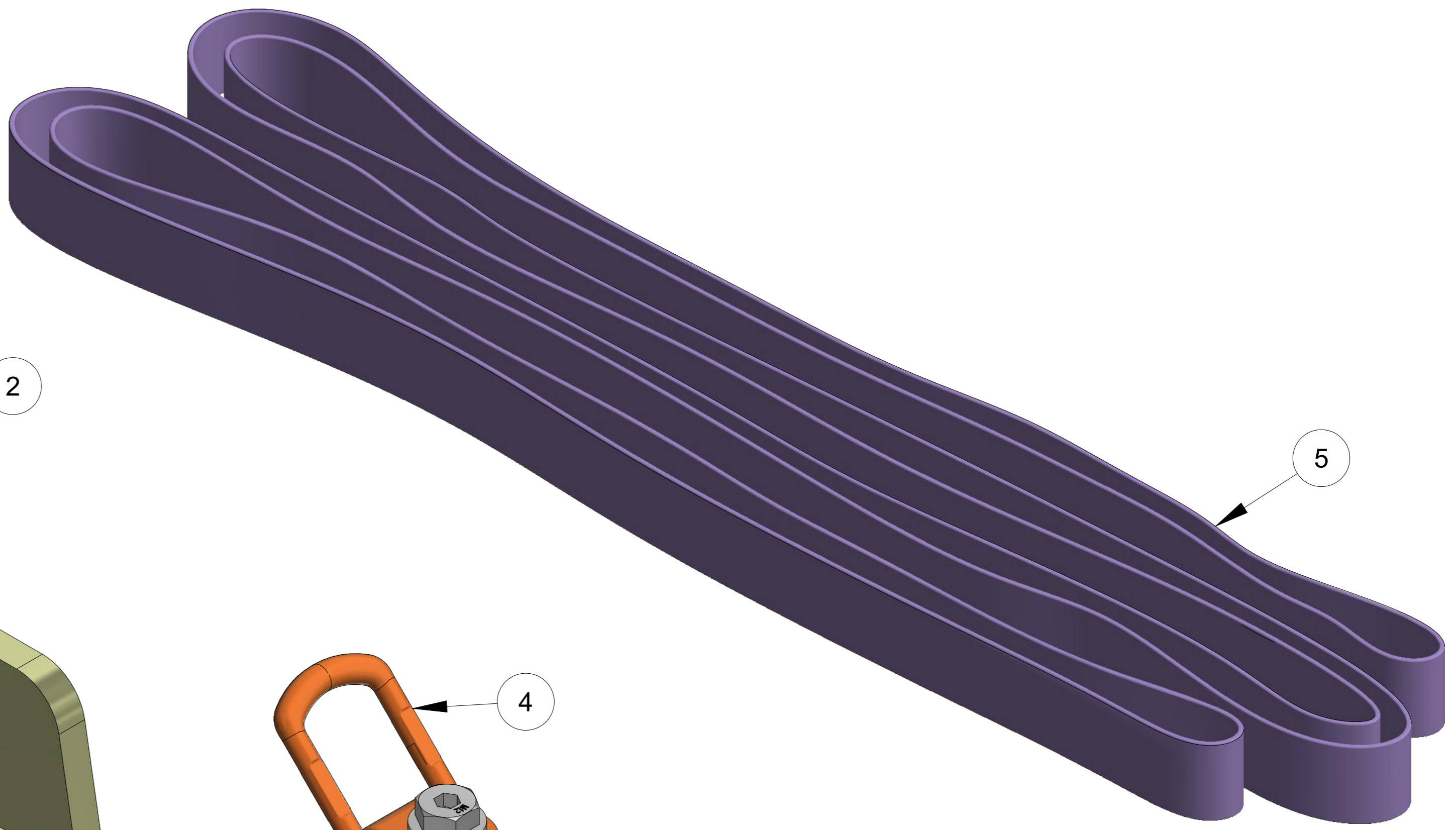
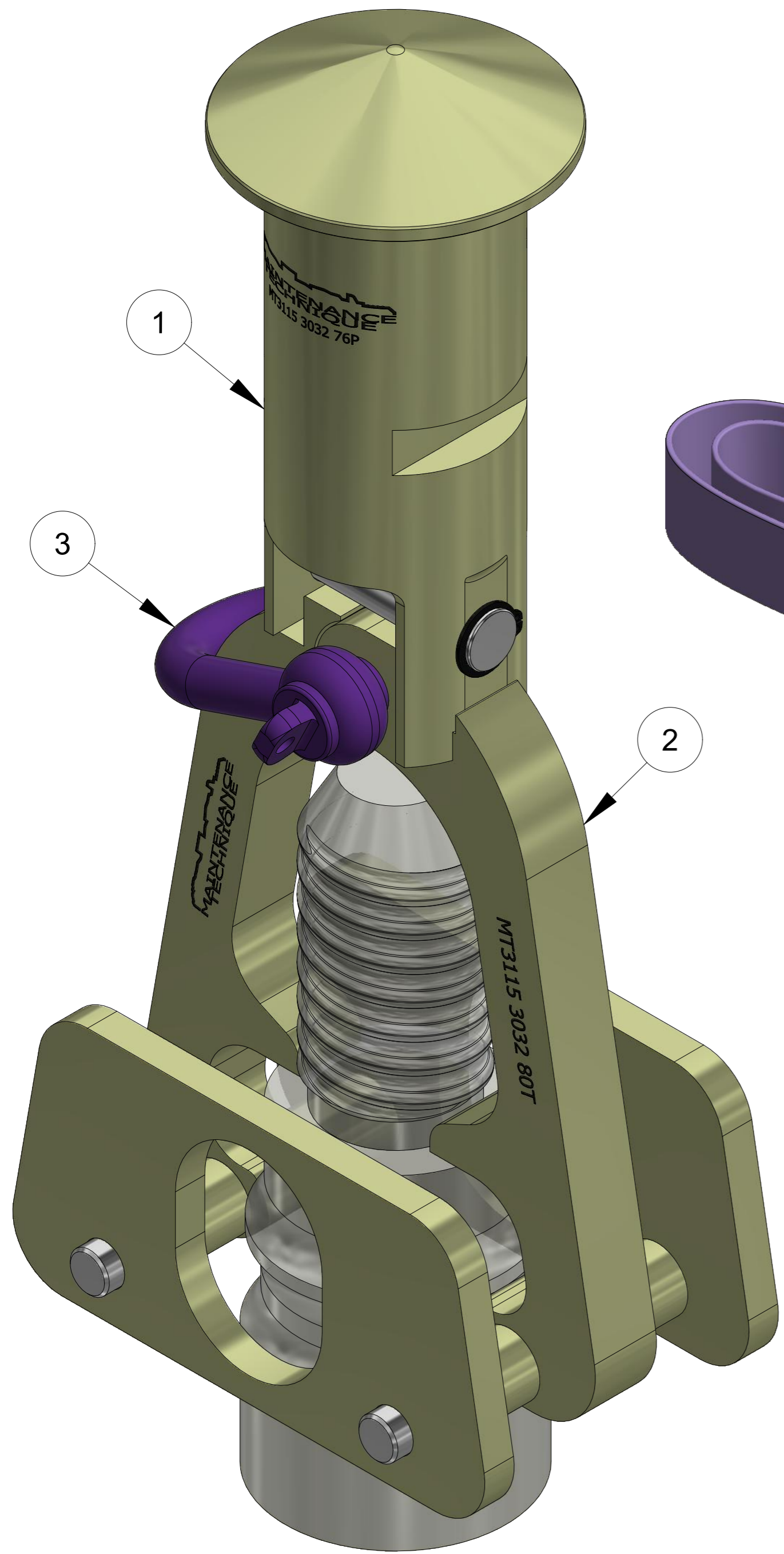


ITEM	PART NUMBER	DESCRIPTION	QTY	COMMENTS
1	MT3115 3032 76P	BSH PULLEY	1	
2	MT3115 3032 80T	SHANK TOOL	1	
3	MT3115 3032 80SH	SHACKLE	1	1.5t / 16mm
4	MT3115 3032 80L	LOAD RING	1	1t / M12
5	MT3115 3032 80 SL	ROUND SLING	1	1t / 4m long



PART NUMBER	DESCRIPTION
<b>MT3115 3032 876</b>	<b>SHANK REMOVAL TOOL</b>
	 <b>MAINTENANCE TECHNIQUE</b> <small>UNDERGROUND DRILL RELIABILITY</small>
<b>MT Parts: 0407 059 610</b> 1 Haesy Circuit, Roseworthy S.A. 5371 171 Dugan Street, Kalgoorlie W.A. 6430 <a href="mailto:parts@mtunderground.com">parts@mtunderground.com</a> <a href="http://www.mtunderground.com">www.mtunderground.com</a>	